



US00D753190S

(12) **United States Design Patent**
Geier et al.

(10) **Patent No.:** **US D753,190 S**
(45) **Date of Patent:** **** Apr. 5, 2016**

(54) **COMPACTION MACHINE**

(71) Applicant: **Wacker Neuson Production Americas LLC**, Menomonee Falls, WI (US)

(72) Inventors: **Daniel Geier**, Colgate, WI (US); **David Schulenberg**, Kewaskum, WI (US)

(73) Assignee: **Wacker Neuson Production Americas LLC**, Menomonee Falls, WI (US)

(**) Term: **14 Years**

(21) Appl. No.: **29/509,463**

(22) Filed: **Nov. 18, 2014**

(51) **LOC (10) Cl.** **15-03**

(52) **U.S. Cl.**
USPC **D15/20**

(58) **Field of Classification Search**
USPC D15/10, 20, 28, 33, 22
CPC E02D 3/00-3/126
See application file for complete search history.

(56) **References Cited**

U.S. PATENT DOCUMENTS

D208,694 S *	9/1967	Harbke	D15/20
D454,141 S *	3/2002	Geier	D15/20
D461,197 S *	8/2002	Geier	D15/20
D573,611 S *	7/2008	Geier	D15/20
D592,682 S *	5/2009	Haubrich	D15/20
D607,473 S *	1/2010	Haubrich	D15/20
D621,422 S *	8/2010	Loew	D15/20
D657,400 S *	4/2012	Loew	D15/20

OTHER PUBLICATIONS

Intersoll-Rand TC-13 Trench Compactor (2 pages).
Atias Capco LP8504 Trench Compactor (2 pages).
Wacker Neuson Smart Remote-Controlled Vibratory Trench Roller (7 pages).
BOMAG BMP 8500 Multi-Purpose Compactor (3 pages).
Ammann Group Trench Rollers Rammmax 1575 and 1585 (12 pages).
Phoenix Heavy Industrial (China) Co. Ltd. Remote Control Hydraulic Vibratory Road Roller with Double Drum (2 pages).

* cited by examiner

Primary Examiner — Mitchell Siegel

(74) *Attorney, Agent, or Firm* — Boyle Fredrickson S.C.

(57) **CLAIM**

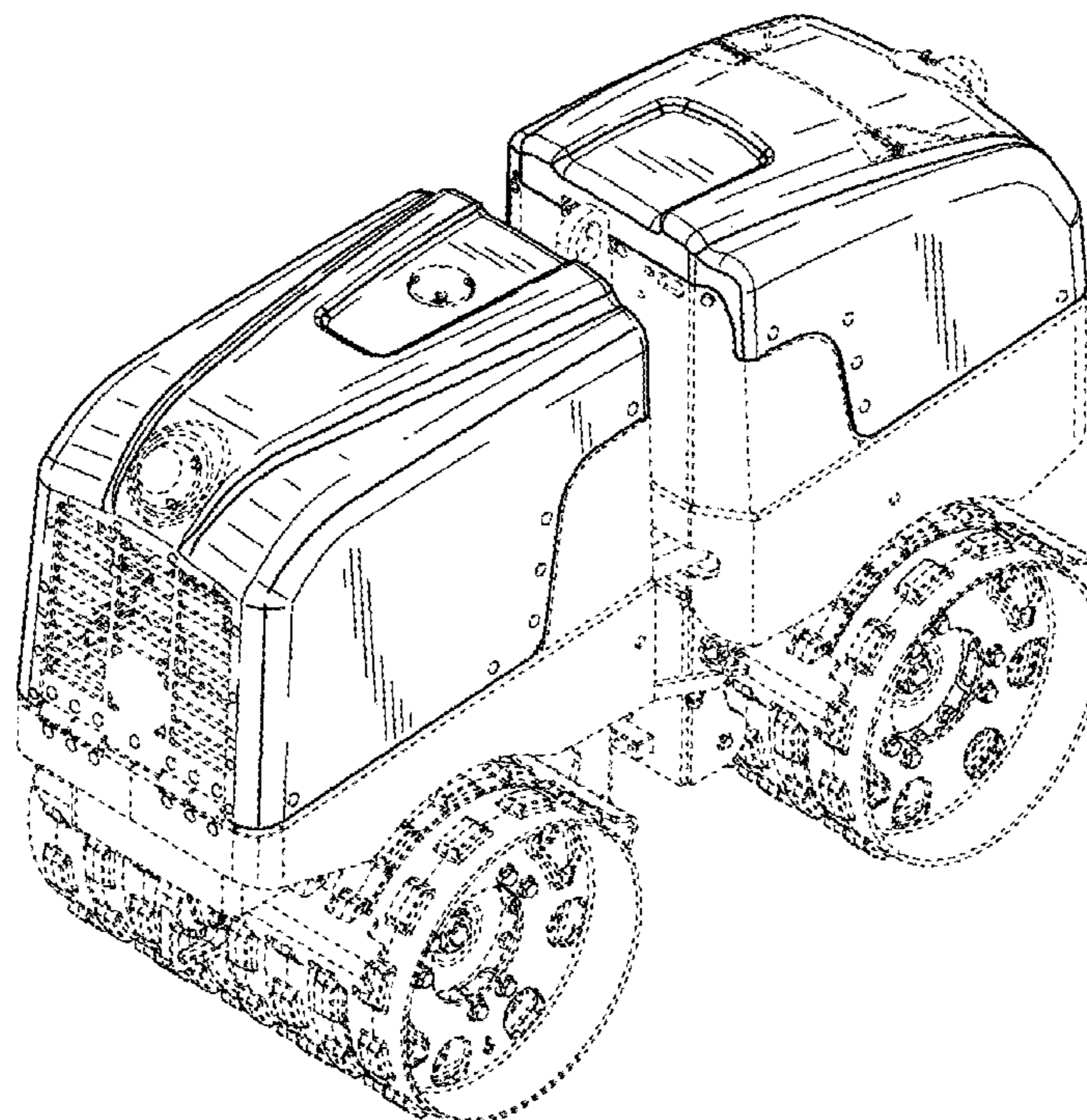
The ornamental design for a compaction machine, as shown and described.

DESCRIPTION

FIG. 1 is an isometric view of a compaction machine incorporating our new design, viewed from above, in front of, and from the left side of the compaction machine;
FIG. 2 is an isometric view of the compaction machine of FIG. 1, viewed from above, in front of, and from the right side of the compaction machine;
FIG. 3 is a left side elevation view thereof;
FIG. 4 is a right side elevation view thereof;
FIG. 5 is front end elevation view thereof;
FIG. 6 is a rear end elevation view thereof;
FIG. 7 is a top plan view thereof; and,
FIG. 8 is a bottom plan view thereof.

The broken lines in the drawings are for illustrative purposes only and form no part of the claimed design.

1 Claim, 8 Drawing Sheets



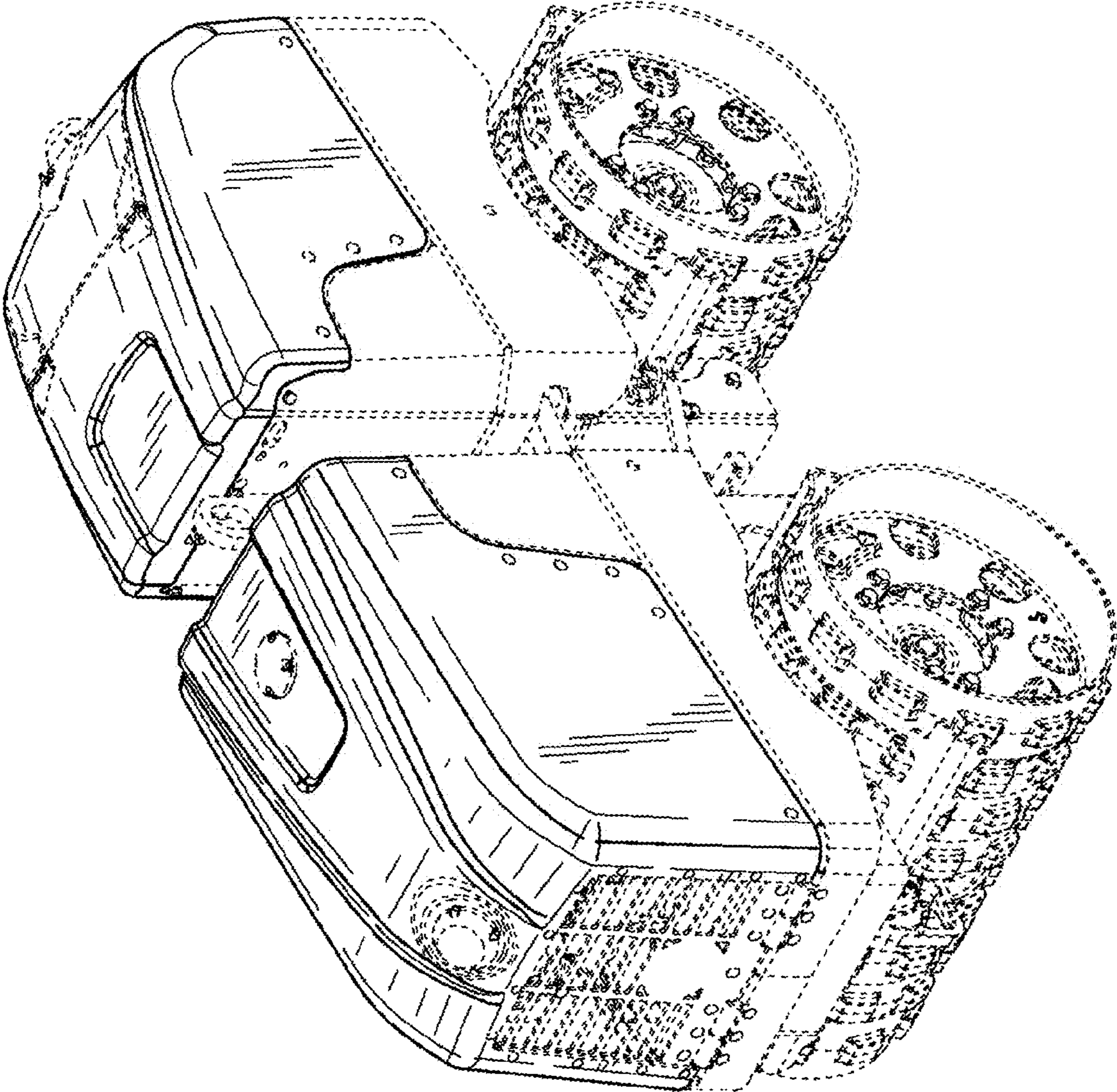


FIG. 1

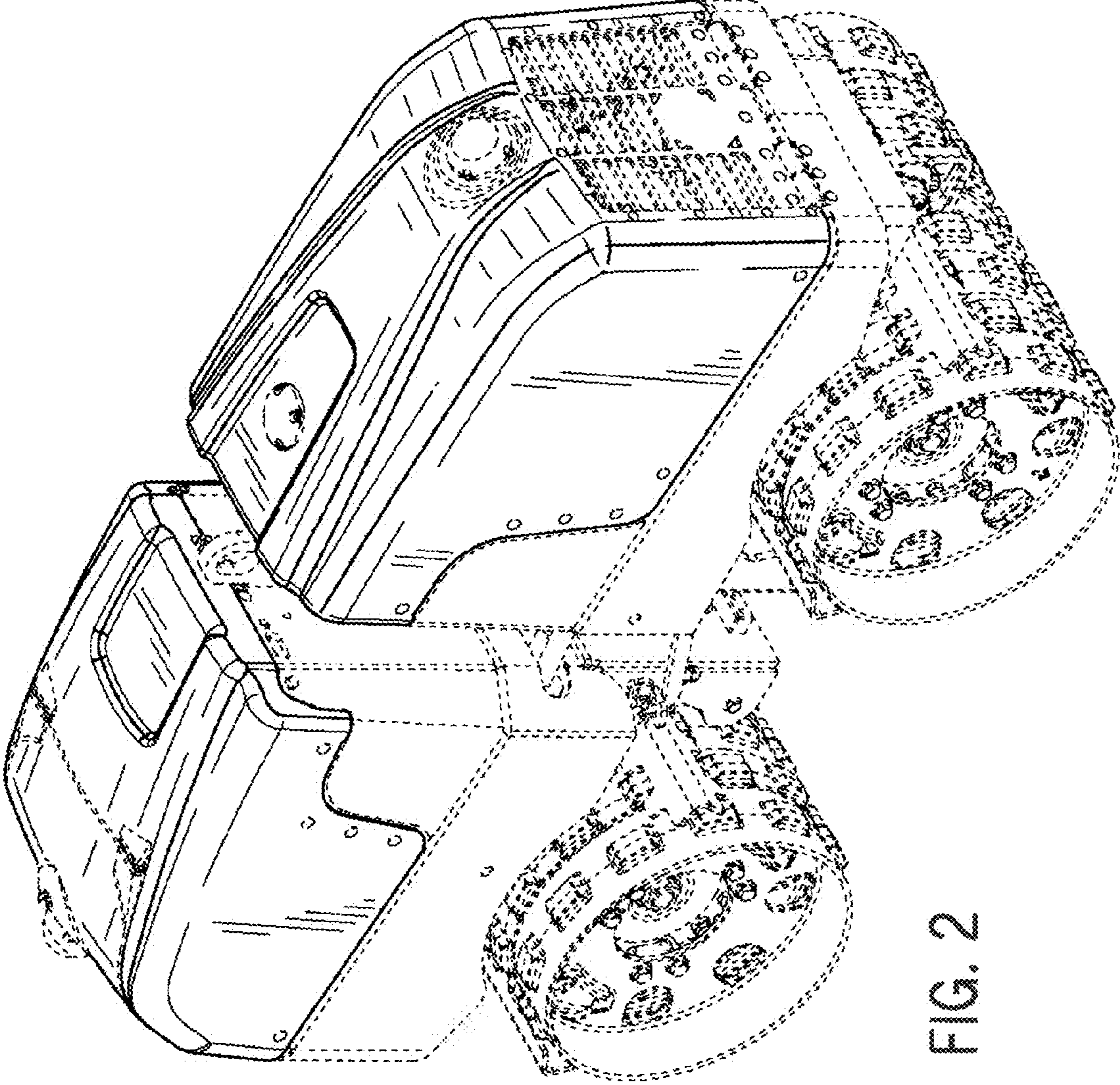


FIG. 2

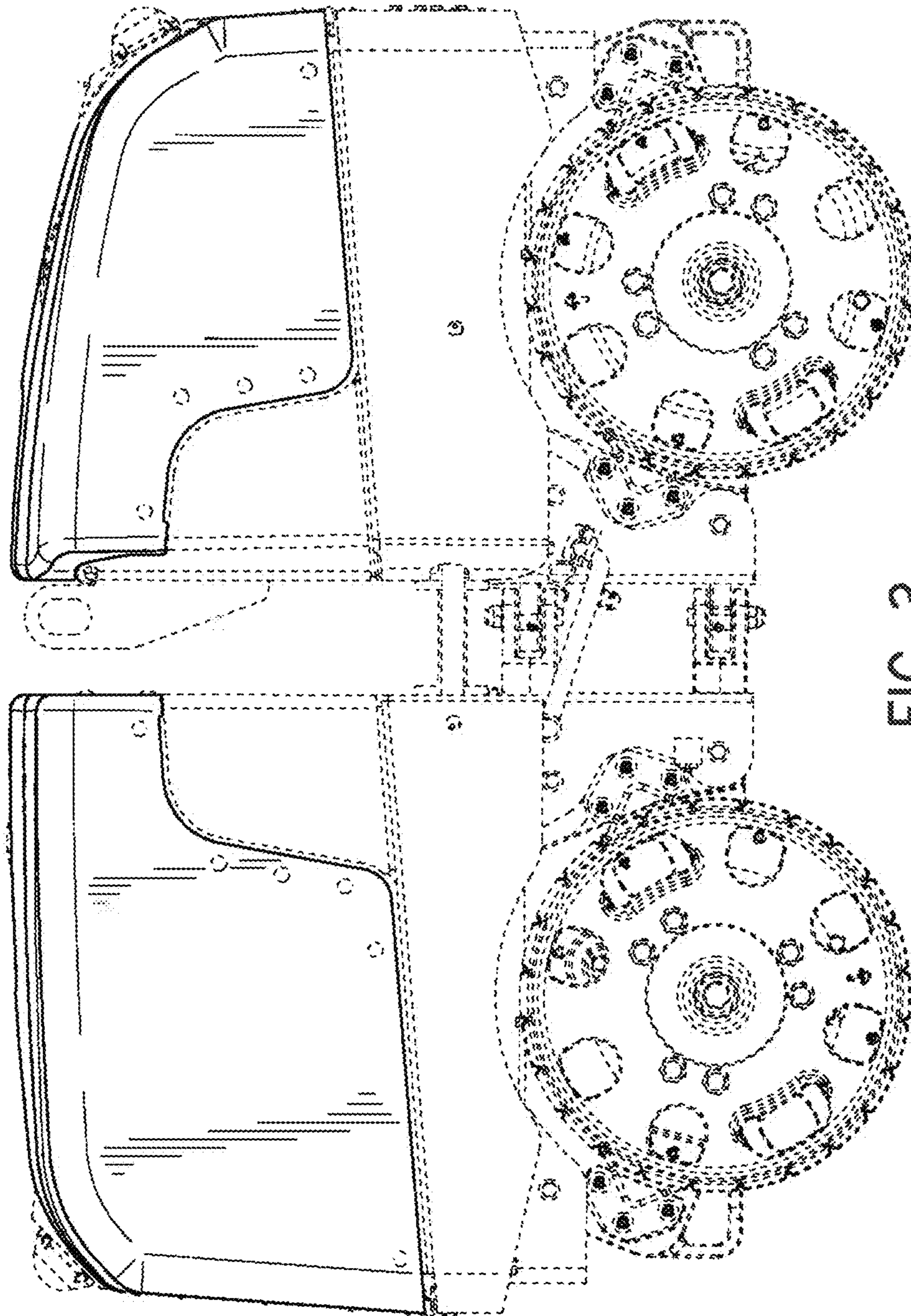


FIG. 3

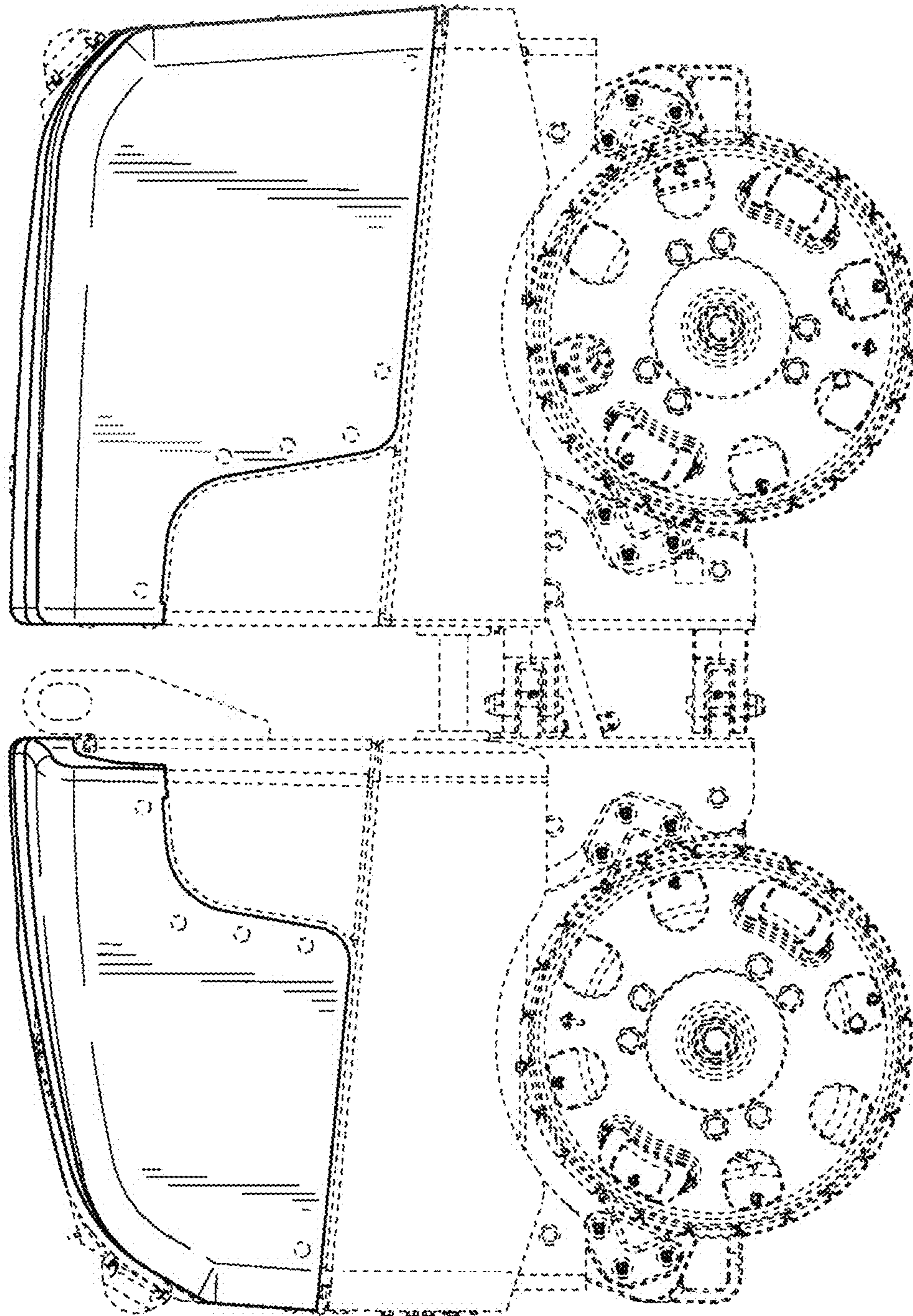


FIG. 4

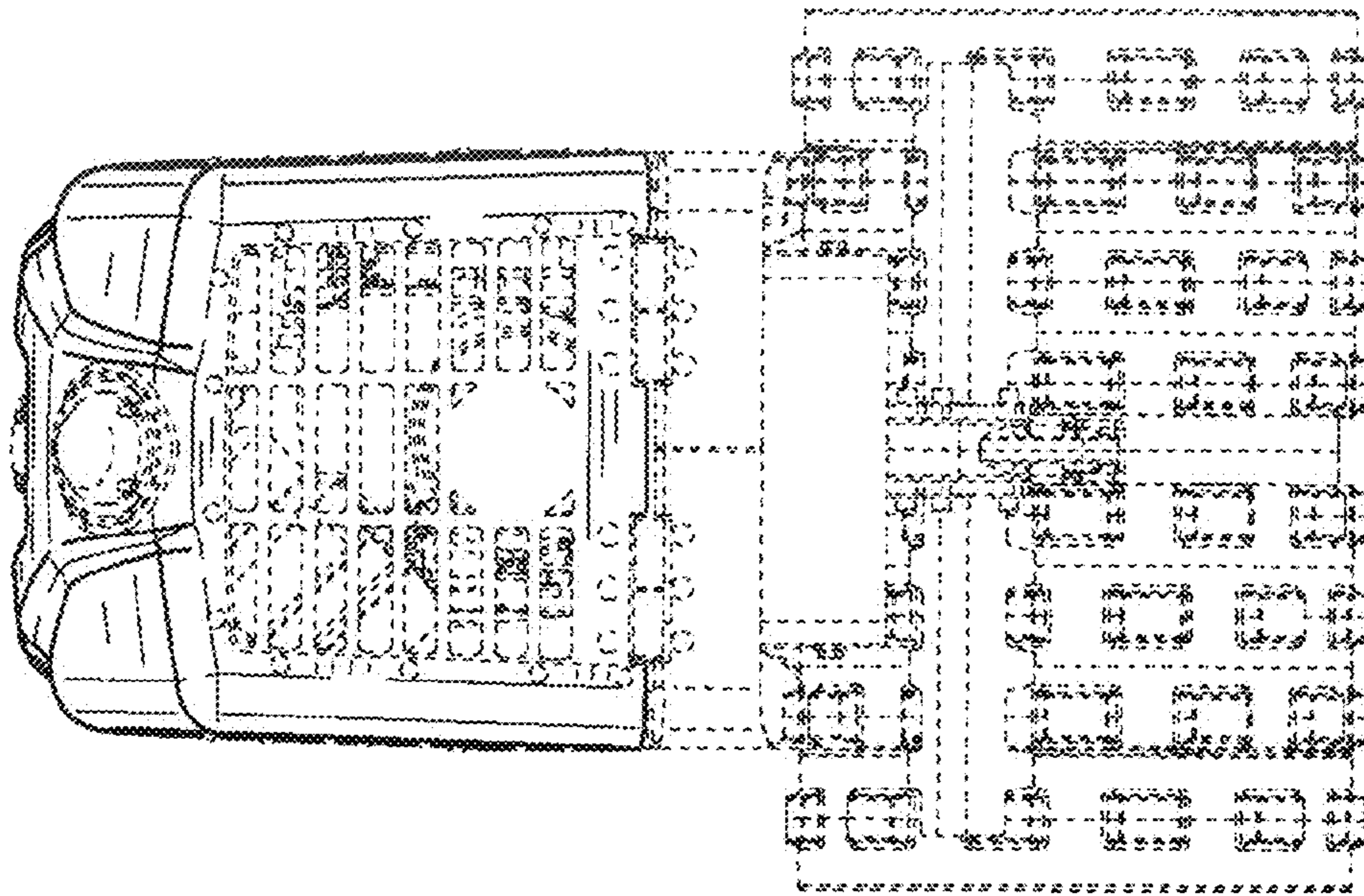


FIG. 5

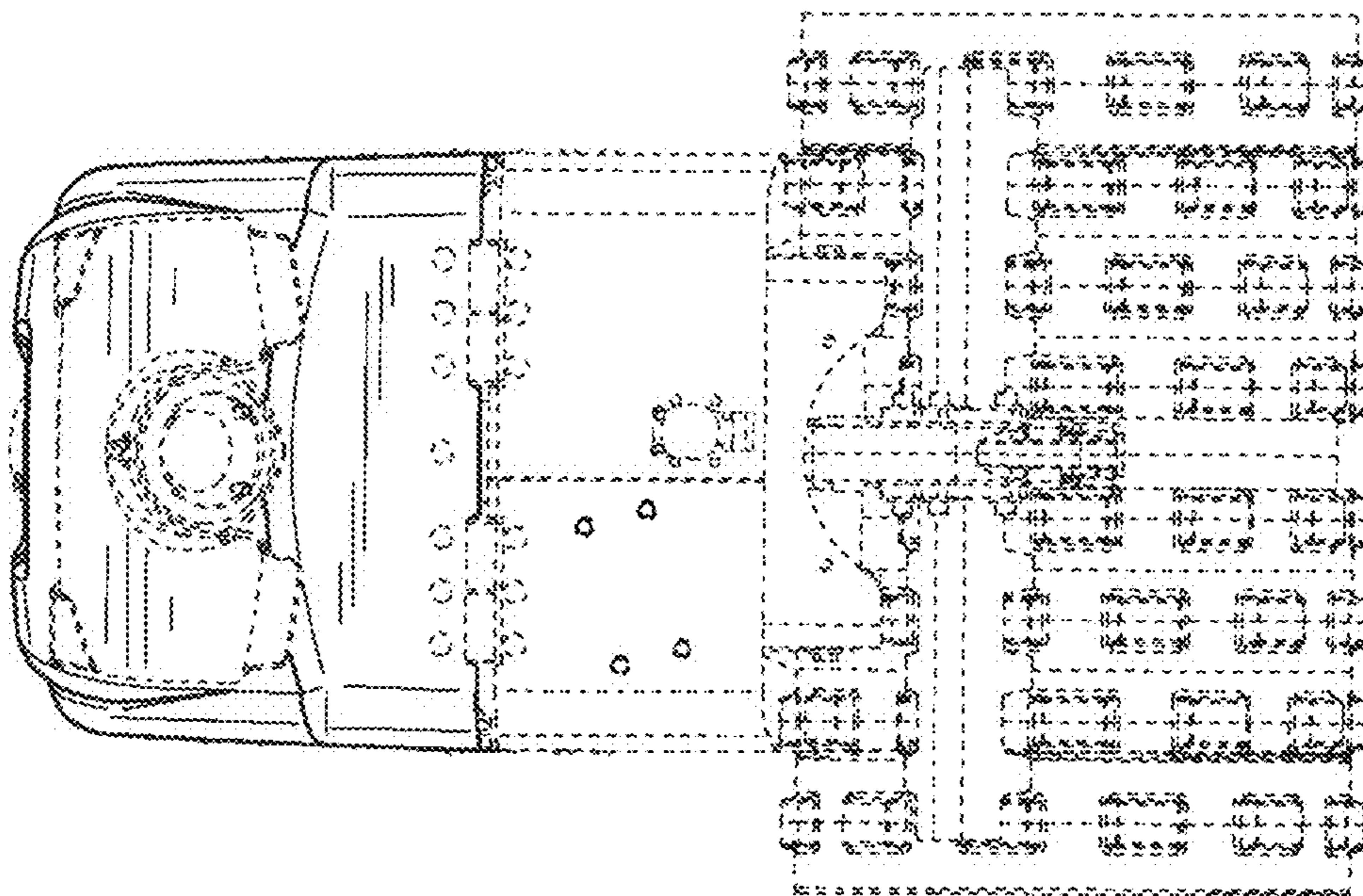


FIG. 6

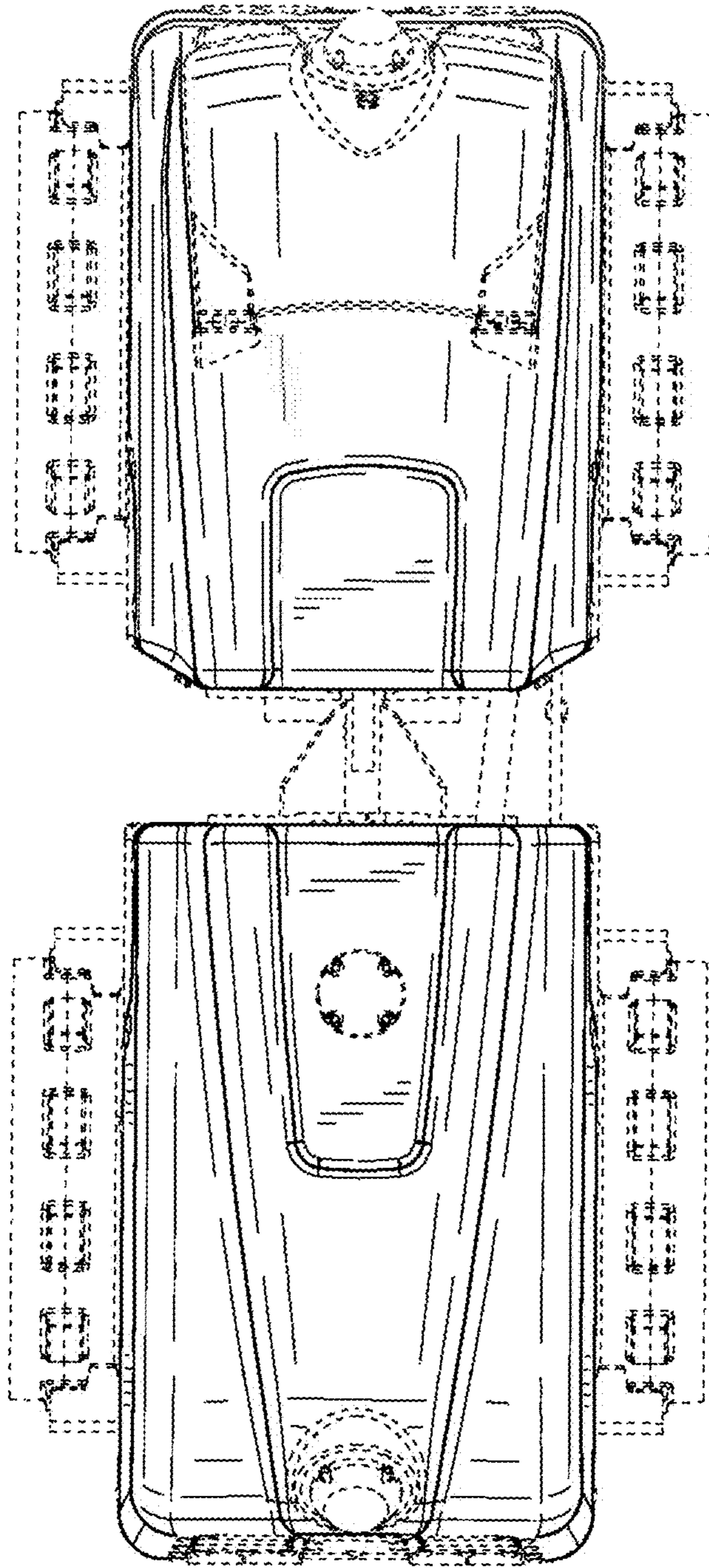


FIG. 7

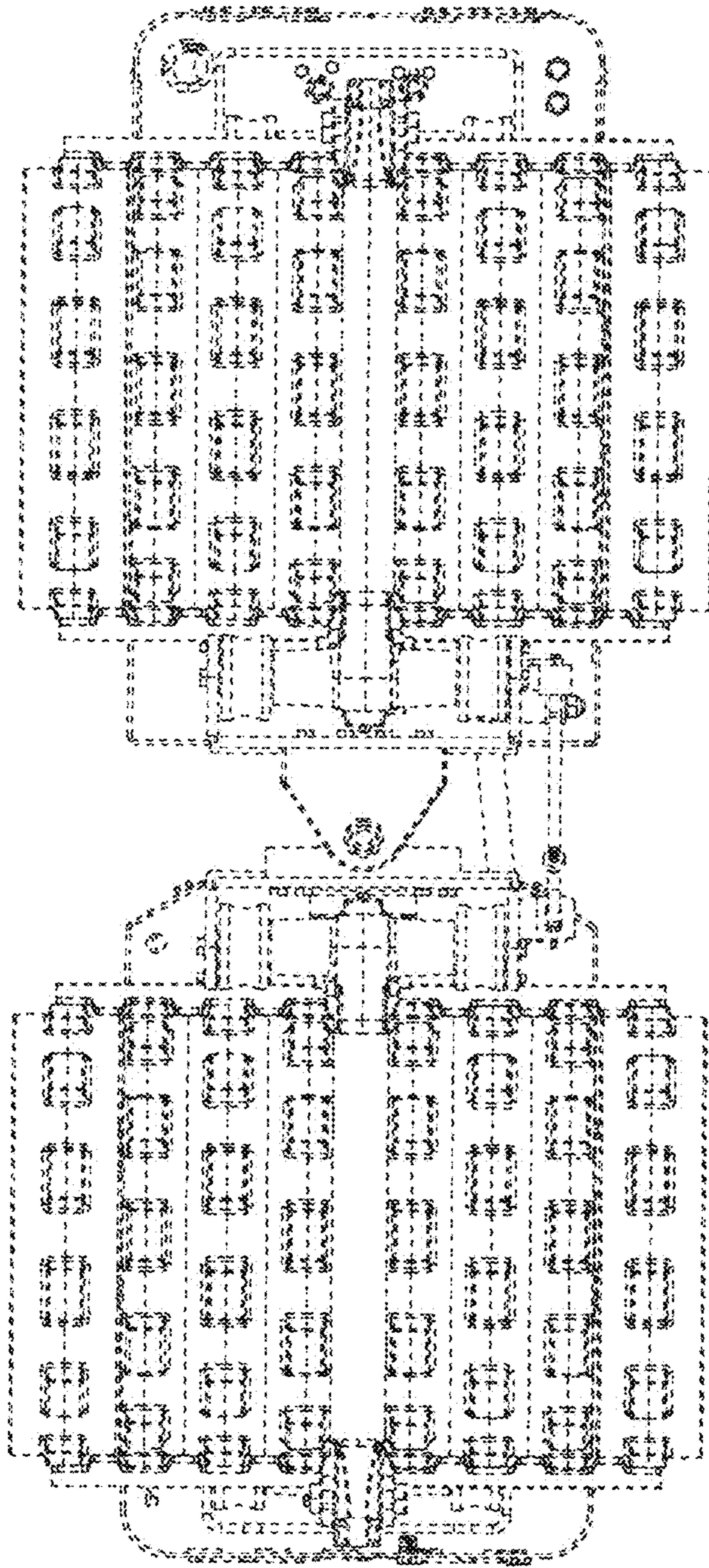


FIG. 8