



US00D753188S

(12) **United States Design Patent**
Kopel et al.

(10) **Patent No.:** **US D753,188 S**
(45) **Date of Patent:** **** Apr. 5, 2016**

- (54) **AIRLESS PUMP**
- (71) Applicant: **Graco Minnesota Inc.**, Minneapolis, MN (US)
- (72) Inventors: **Andrew J. Kopel**, Stanchfield, MN (US); **Glen W. Davidson**, Roseville, MN (US)
- (73) Assignee: **Graco Minnesota Inc.**, Minneapolis, MN (US)

D583,389 S *	12/2008	Bilger	D15/7
D596,707 S *	7/2009	Mattson	D23/225
D597,173 S *	7/2009	Mulgrew	D23/225
D610,166 S *	2/2010	Foreman	D15/7
D623,664 S *	9/2010	Fulkerson	D15/7
D643,856 S *	8/2011	Taniguchi	D15/7
D690,323 S *	9/2013	Burman	D15/7
D691,179 S *	10/2013	Charriere	D15/7
D701,244 S *	3/2014	Oakes	D15/7
D701,245 S *	3/2014	Oakes	D15/7
D702,261 S *	4/2014	Landers	D15/7
D729,848 S *	5/2015	Charriere	D15/7
D731,557 S *	6/2015	Brunner	D15/7

(**) Term: **14 Years**

(21) Appl. No.: **29/515,730**

(22) Filed: **Jan. 26, 2015**

(51) **LOC (10) Cl.** **15-01**

(52) **U.S. Cl.**
USPC **D15/7**

(58) **Field of Classification Search**
USPC D15/7-9; D23/231, 232, 225; 417/60, 417/235, 265, 321, 355, 358, 363, 359, 417/410.1, 415-416, 405, 900; 60/408, 60/412; 184/26-37; 415/140-147; 123/495, 509; 137/565.34, 533.11
CPC F02M 37/04; F02M 37/14; F16K 15/04
See application file for complete search history.

(56) **References Cited**

U.S. PATENT DOCUMENTS

D271,493 S *	11/1983	McMullen	D15/7
D456,819 S *	5/2002	Sebion	D15/7
D471,563 S *	3/2003	Selic	D15/7
D506,210 S *	6/2005	Selic	D15/7
7,025,087 B2 *	4/2006	Weinberger	F04B 53/101 137/271
D560,271 S *	1/2008	Kesti	D23/225
D576,640 S *	9/2008	Sinico	D15/7

OTHER PUBLICATIONS

Graco 395/455/495st Pro Parts (manual), document 309057H revised Dec. 2011, specifically part #12 on pp. 2, 4, 6 and 8.
Titan 1140i Owners Manual, copyright 2002, specifically part #9 on p. 18.

* cited by examiner

Primary Examiner — Ralf Seifert

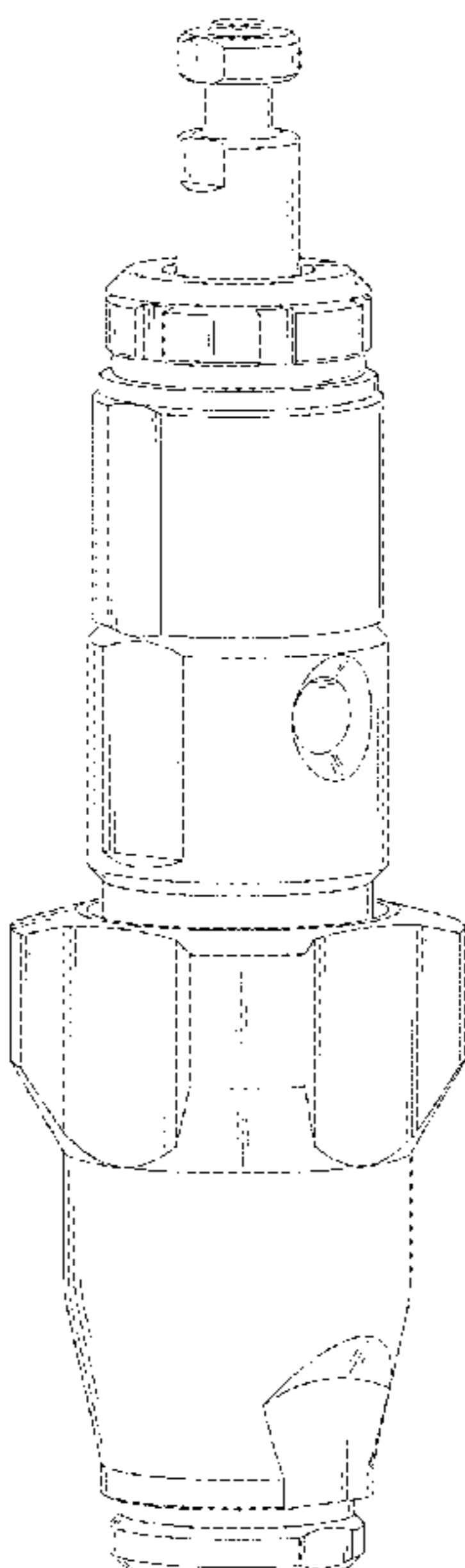
(57) **CLAIM**

The ornamental design for an airless pump, as shown and described.

DESCRIPTION

FIG. 1 is a rear left isometric view of an airless pump
FIG. 2 is a front view thereof,
FIG. 3 is a left side view thereof;
FIG. 4 is a rear side view thereof;
FIG. 5 is a right side view thereof;
FIG. 6 is a top view thereof; and,
FIG. 7 is a bottom view of an airless pump.
The broken lines are included for the purpose of illustrating portions of the airless pump that form no part of the claimed design.

1 Claim, 7 Drawing Sheets



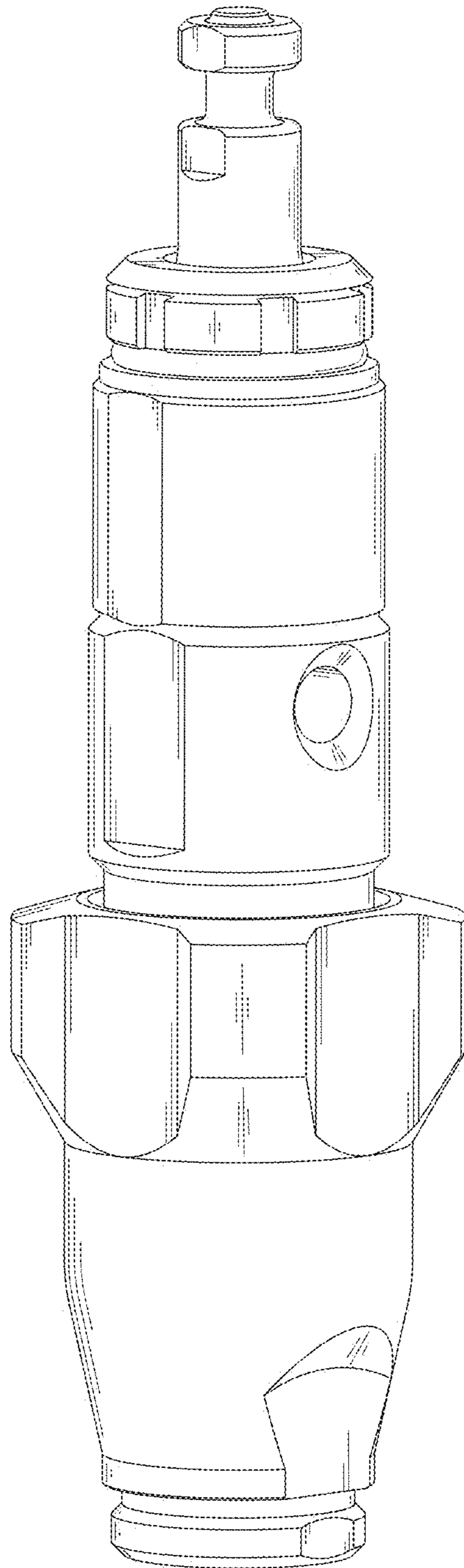


FIG. 1

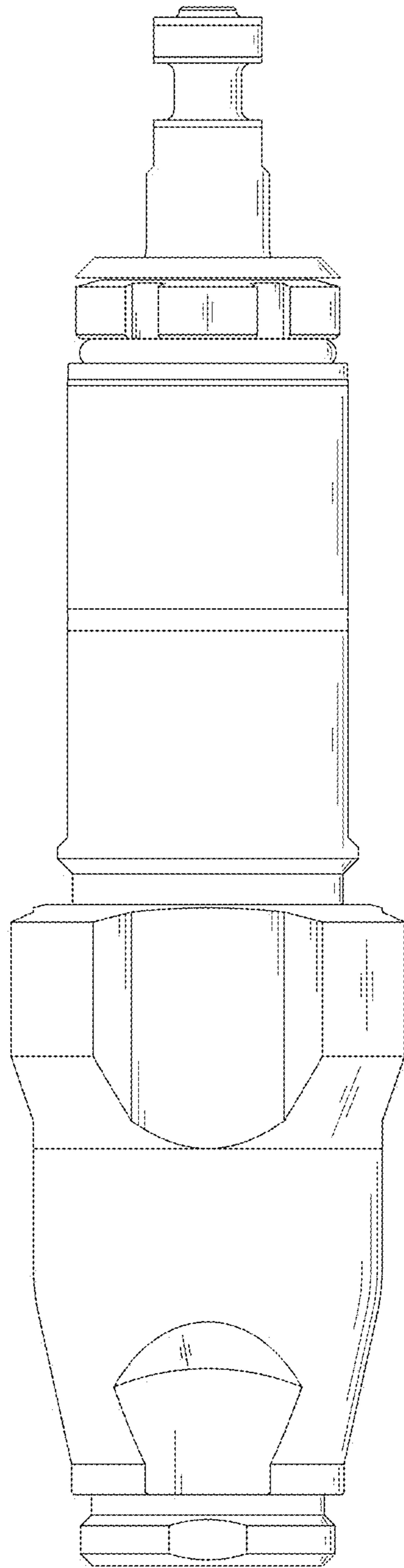


FIG. 2

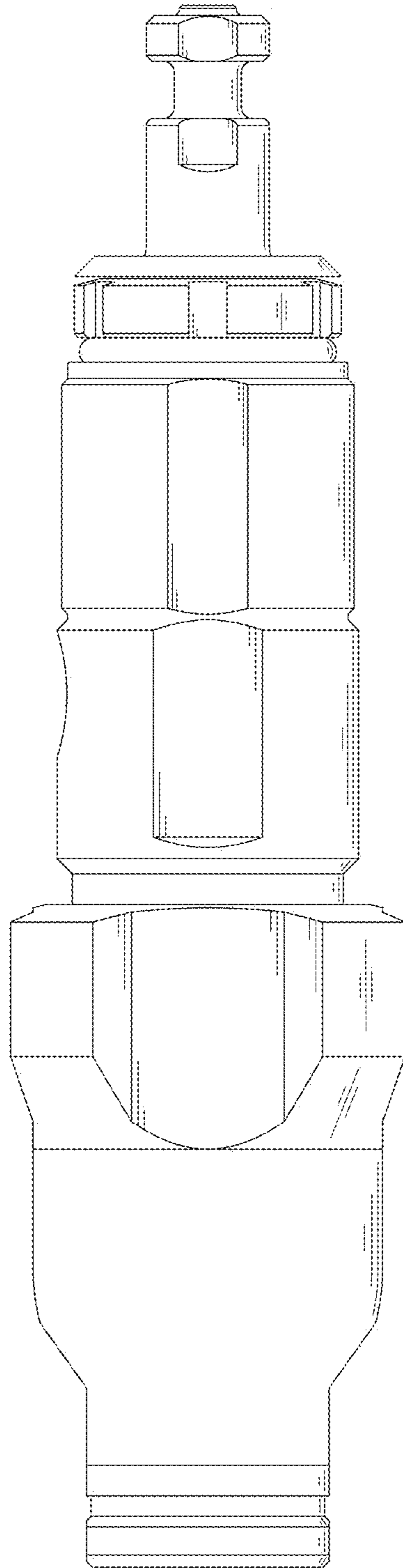


FIG. 3

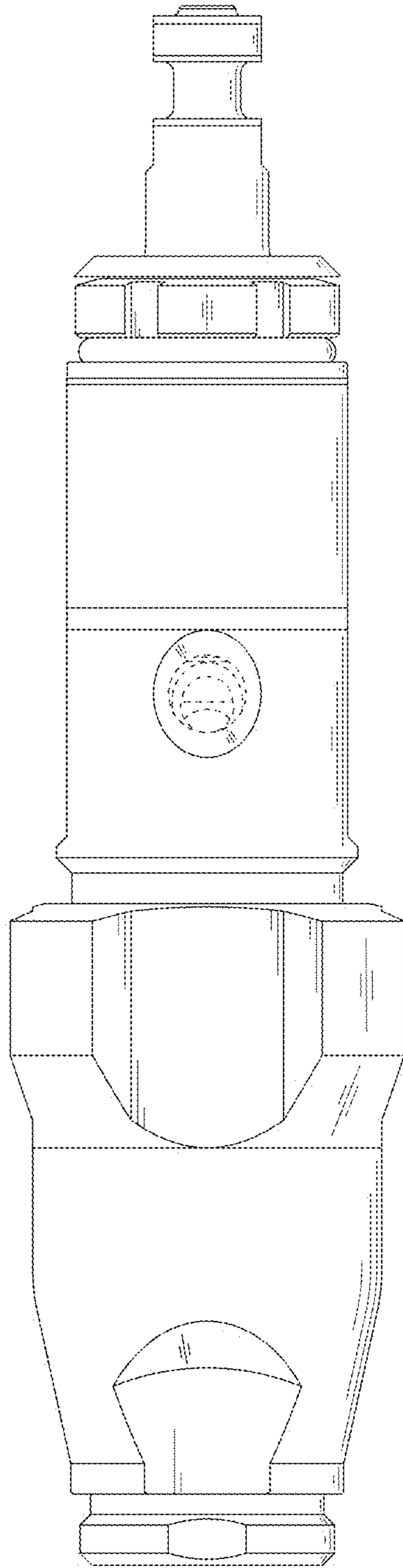


FIG. 4

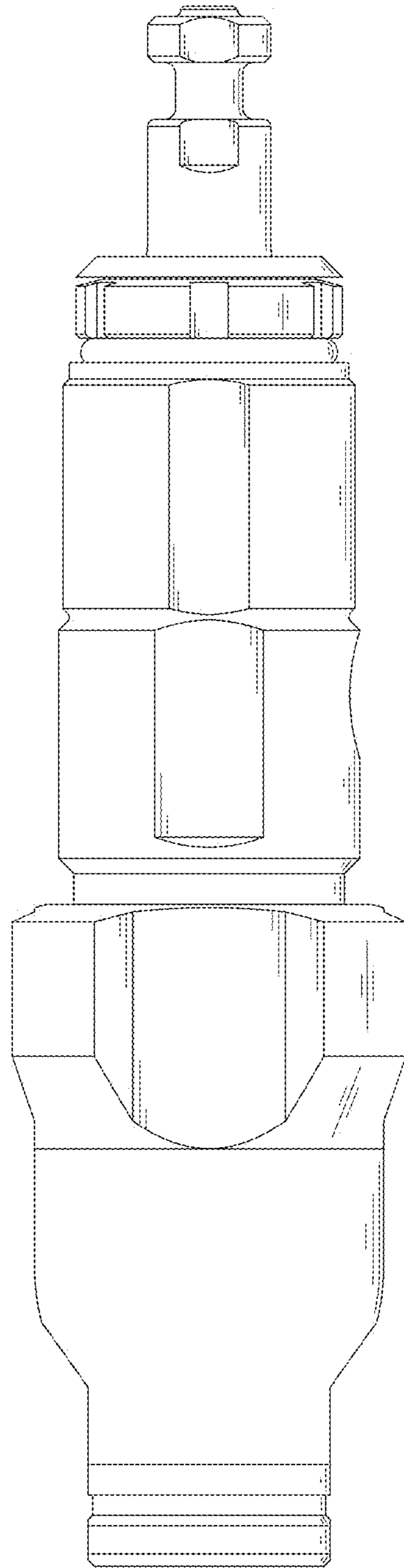


FIG. 5

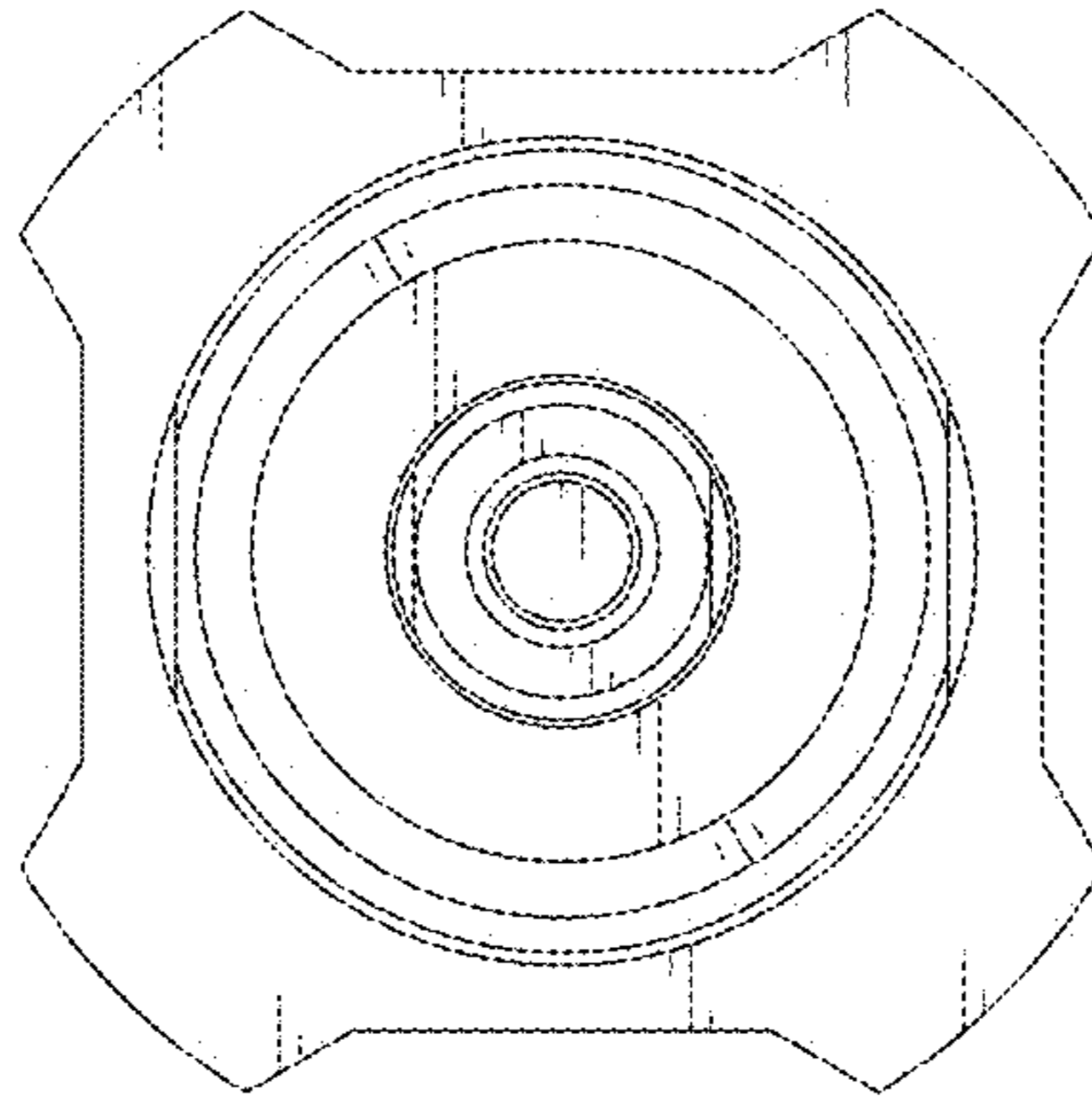


FIG. 6

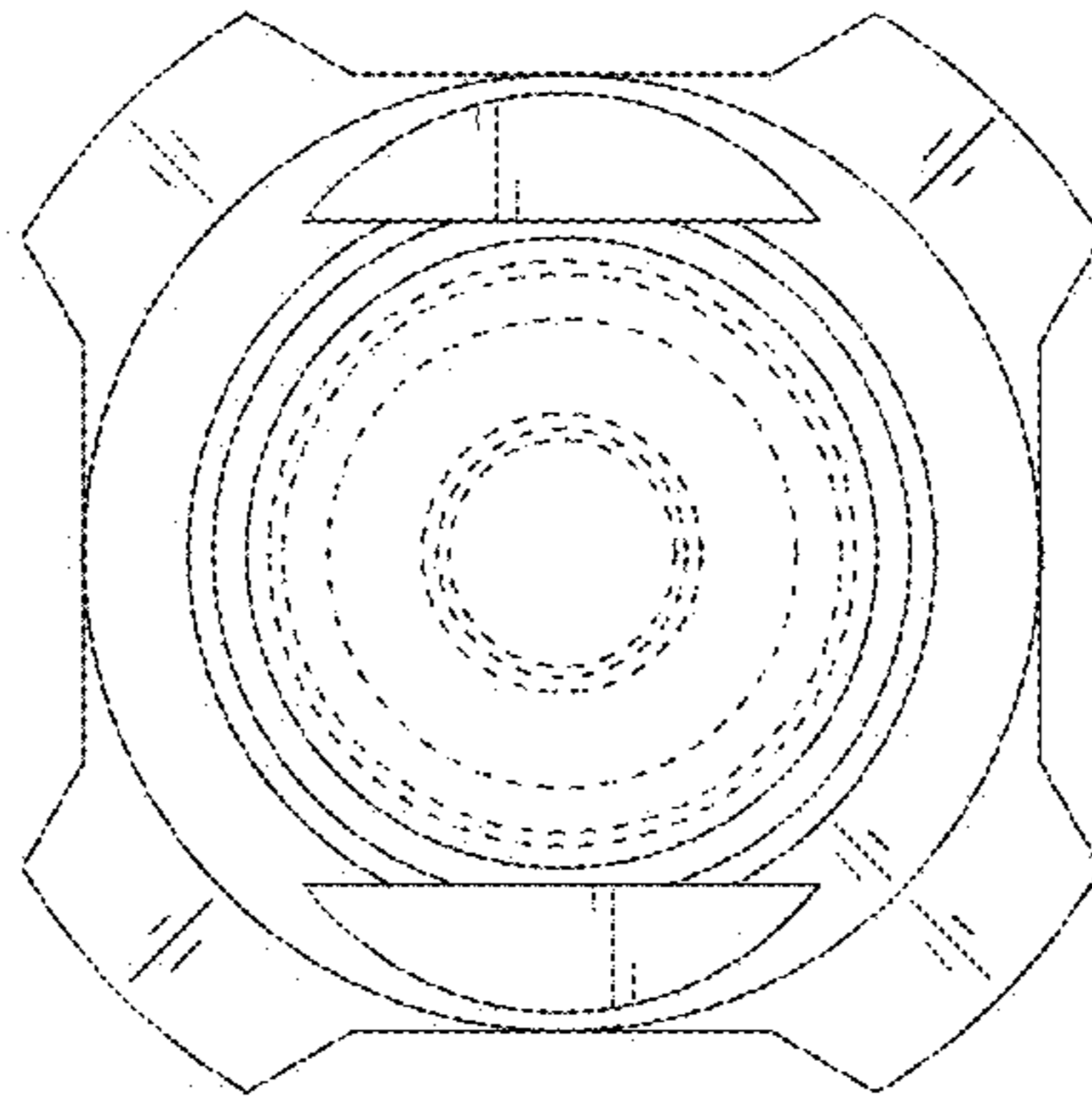


FIG. 7