



US00D753186S

(12) **United States Design Patent**  
**Dopke et al.**

(10) **Patent No.:** **US D753,186 S**  
(45) **Date of Patent:** **\*\* Apr. 5, 2016**

(54) **INTERNAL COMBUSTION ENGINE  
CYLINDER HEAD**

(71) Applicant: **Champion Engine Technology, LLC,**  
Sussex, WI (US)

(72) Inventors: **Russell J. Dopke,** Elkhart Lake, WI  
(US); **James J. Dehn,** Brookfield, WI  
(US)

(73) Assignee: **Champion Engine Technology, LLC,**  
Sussex, WI (US)

(\*\*) Term: **14 Years**

(21) Appl. No.: **29/490,098**

(22) Filed: **May 6, 2014**

(51) **LOC (10) Cl.** ..... **15-01**

(52) **U.S. Cl.**  
USPC ..... **D15/5**

(58) **Field of Classification Search**

USPC ..... D15/1-5; 123/193.5; D12/126  
CPC ..... F02F 1/24; F02F 2001/241; F02F 1/243;  
F02F 2001/245; F02F 1/30; F02F 2001/244;  
F02F 2001/246; F02F 2001/247; F02F  
2001/249; F02F 1/26; F02F 1/305; F02F 1/32;  
F02F 1/34; F02F 1/36; F02F 1/365; F02F  
1/38; F02F 1/40; F02F 1/42

See application file for complete search history.

(56) **References Cited**

**U.S. PATENT DOCUMENTS**

2,700,377	A	1/1955	Chesnutt	
4,159,011	A	6/1979	Sperry	
D279,376	S *	6/1985	Davidson	..... D15/5
4,601,267	A	7/1986	Kronich	
4,762,098	A	8/1988	Tamba et al.	
4,905,636	A	3/1990	Kronich	
5,058,542	A	10/1991	Grayson et al.	
5,404,856	A	4/1995	Servati	
5,421,292	A *	6/1995	Hoffman	..... F02B 75/16 123/193.5
5,564,374	A	10/1996	Hoffman et al.	

5,598,820	A *	2/1997	Sokoloski	..... F02B 23/08 123/193.5
5,983,849	A *	11/1999	Wangen	..... F01L 1/14 123/193.3
6,065,457	A *	5/2000	Hoffmann	..... F01M 13/0416 123/572
6,216,659	B1	4/2001	Takegami et al.	
6,276,326	B1 *	8/2001	Martinsson	..... F02B 63/02 123/184.23
6,296,071	B1 *	10/2001	Runte	..... F01L 1/18 123/90.33

(Continued)

**OTHER PUBLICATIONS**

Honda GXV630, GXV660, GXV690 Engine Assembly Information,  
Honda Motor Co., Ltd., 2010.

*Primary Examiner* — T. Chase Nelson

*Assistant Examiner* — Ania Aman

(74) *Attorney, Agent, or Firm* — Ziolkowski Patent  
Solutions Group, SC

(57) **CLAIM**

The ornamental design for an internal combustion engine  
cylinder head, as shown and described herein.

**DESCRIPTION**

FIG. 1 is a left front perspective view of an internal combustion  
engine cylinder head according to the present invention.  
FIG. 2 is a top plan view of the internal combustion engine  
cylinder head of FIG. 1.

FIG. 3 is a left side view of the internal combustion engine  
cylinder head of FIG. 1.

FIG. 4 is a front view of the internal combustion engine  
cylinder head of FIG. 1.

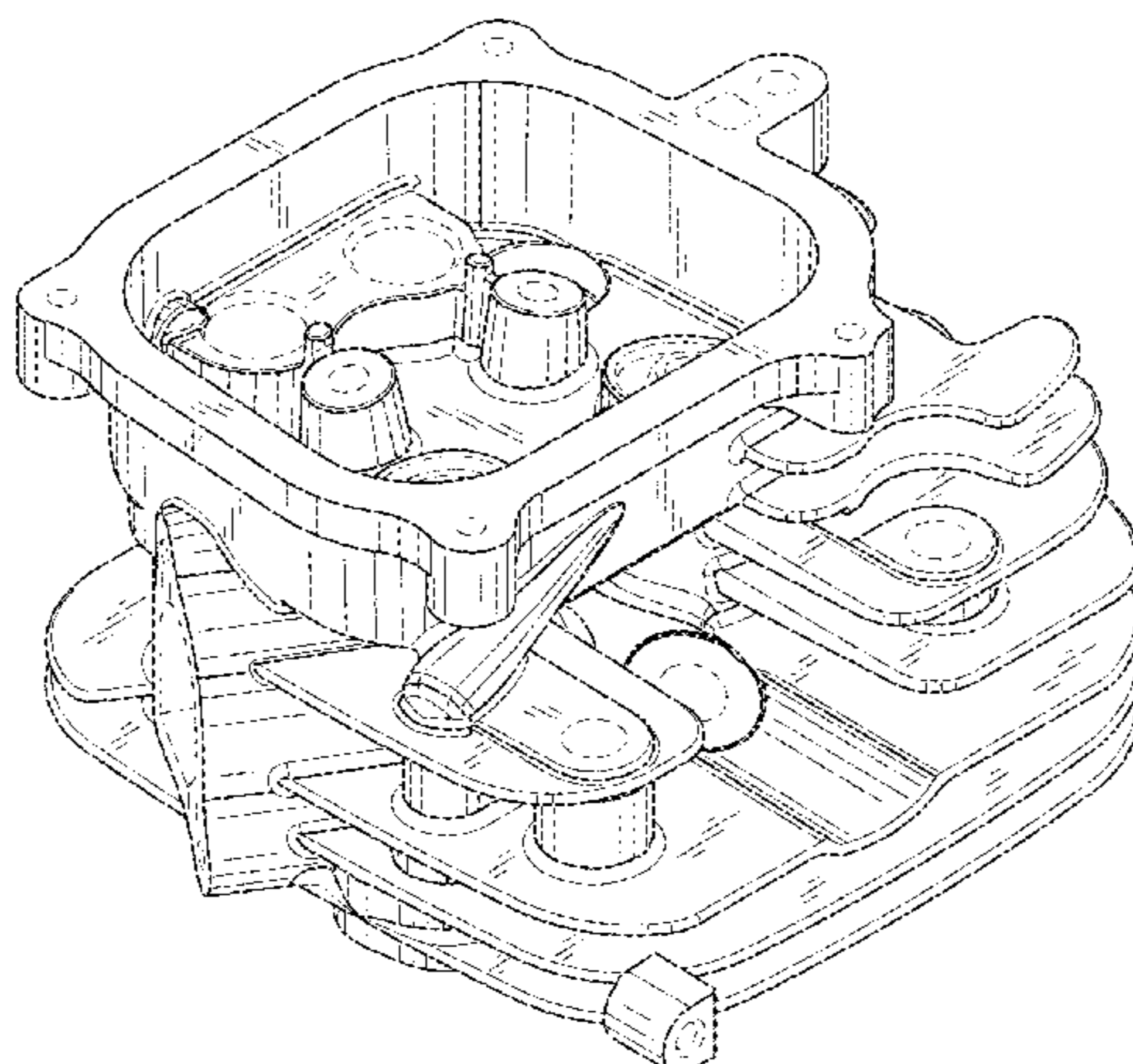
FIG. 5 is a rear view of the internal combustion engine cyl-  
inder head of FIG. 1.

FIG. 6 is a right side view of the internal combustion engine  
cylinder head of FIG. 1; and,

FIG. 7 is a bottom view of the internal combustion engine  
cylinder head of FIG. 1.

The broken lines in the drawing views are included for the  
purpose of illustrating portions of the internal combustion  
engine cylinder head that form no part of the claimed design.

**1 Claim, 5 Drawing Sheets**



(56)

**References Cited**

U.S. PATENT DOCUMENTS

D522,022 S *	5/2006	Carlin .....	D15/5	2008/0127916 A1*	6/2008	Burgess .....	F01L 1/024 123/54.4
7,182,057 B2	2/2007	Sato		2009/0095261 A1	4/2009	Kono et al.	
7,246,610 B2 *	7/2007	Sjovall .....	F01M 13/022 123/2	2010/0193276 A1*	8/2010	Mueller .....	F01P 1/02 180/229
D608,372 S *	1/2010	Brace .....	D15/5	2011/0114044 A1*	5/2011	Dees .....	F02F 1/40 123/41.82 R
7,938,099 B2	5/2011	Abe et al.		2012/0255515 A1*	10/2012	Xie .....	F02F 1/24 123/193.3
8,011,333 B2 *	9/2011	Burgess .....	F01L 1/024 123/195 R	2013/0014721 A1*	1/2013	Trease .....	F02F 1/4285 123/193.5
8,402,937 B2	3/2013	Mamy et al.		2013/0133597 A1	5/2013	Shimazaki et al.	
8,539,929 B2 *	9/2013	Dees .....	F02F 1/40 129/198 E	2014/0216369 A1*	8/2014	Liu .....	F01P 1/10 123/41.56
2003/0168040 A1	9/2003	Takamiya et al.		2015/0322843 A1*	11/2015	Sotiriades .....	F01P 1/02 123/41.58
2005/0045137 A1*	3/2005	Schweiger .....	F02M 35/10078 123/184.21	2015/0322882 A1*	11/2015	Dopke .....	F02F 1/32 123/41.58
2005/0178371 A1*	8/2005	Sjovall .....	F01M 13/022 123/572	2015/0322883 A1*	11/2015	Dopke .....	F02F 1/24 123/193.5

\* cited by examiner

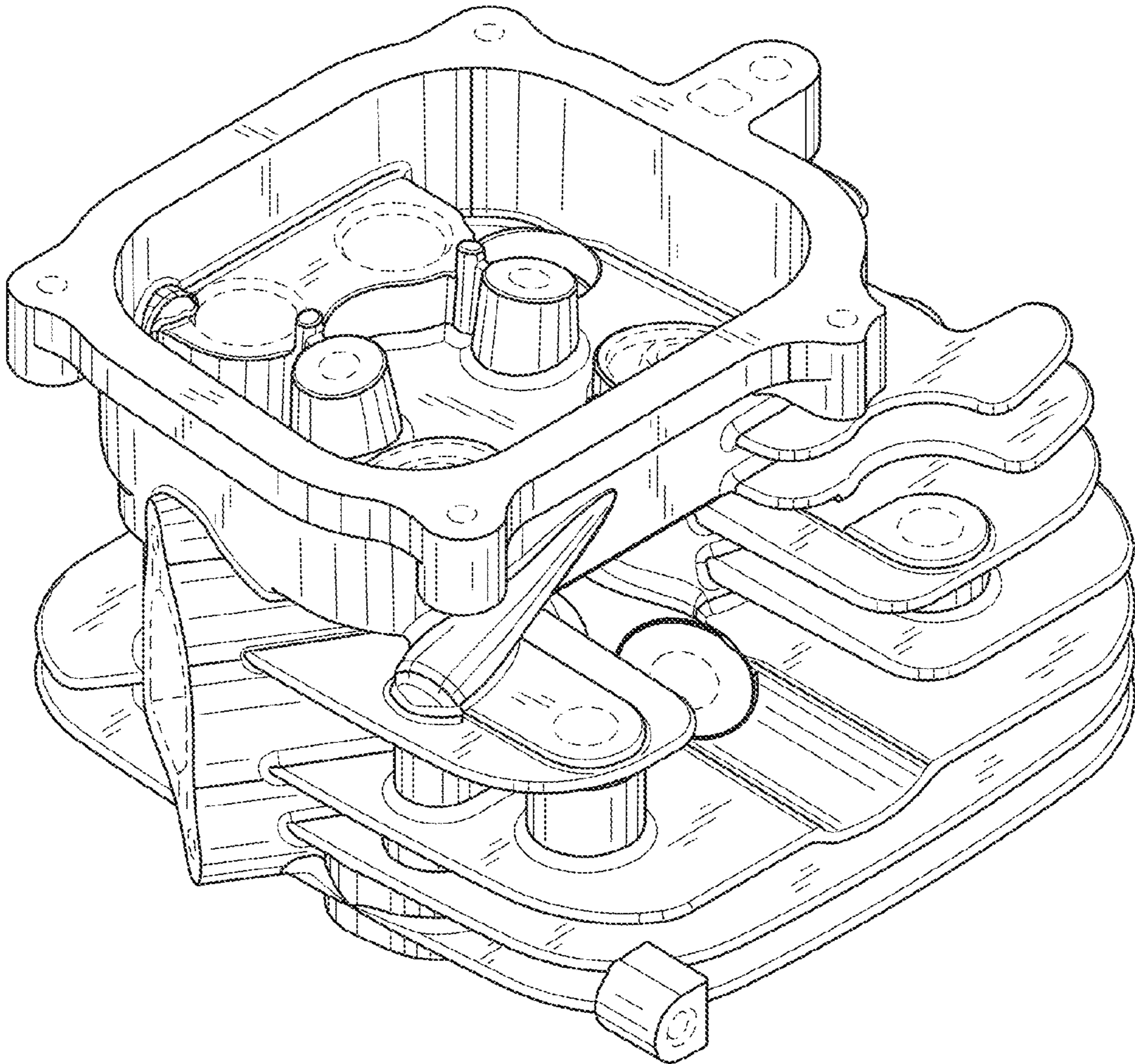


FIG. 1



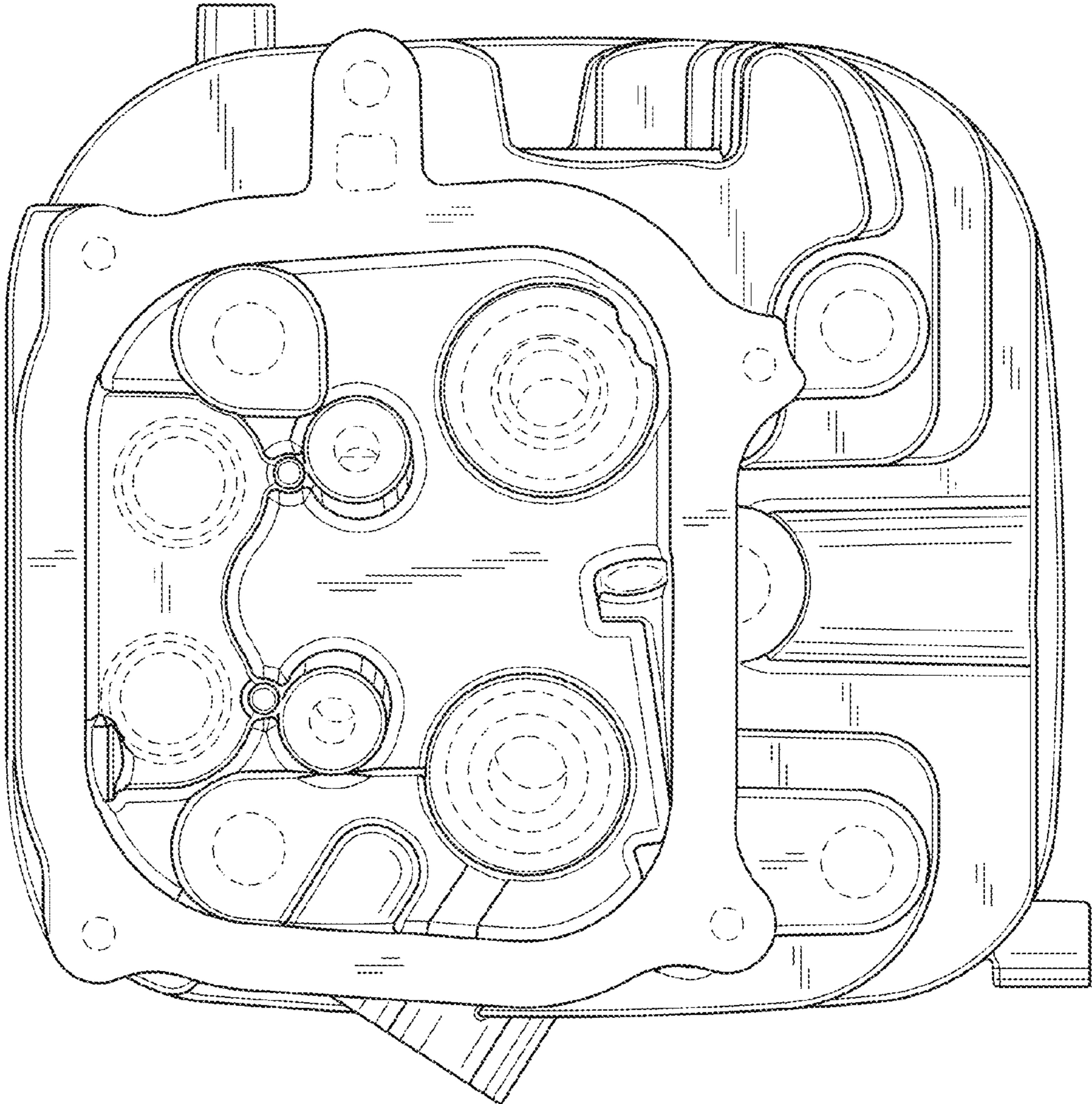


FIG. 2

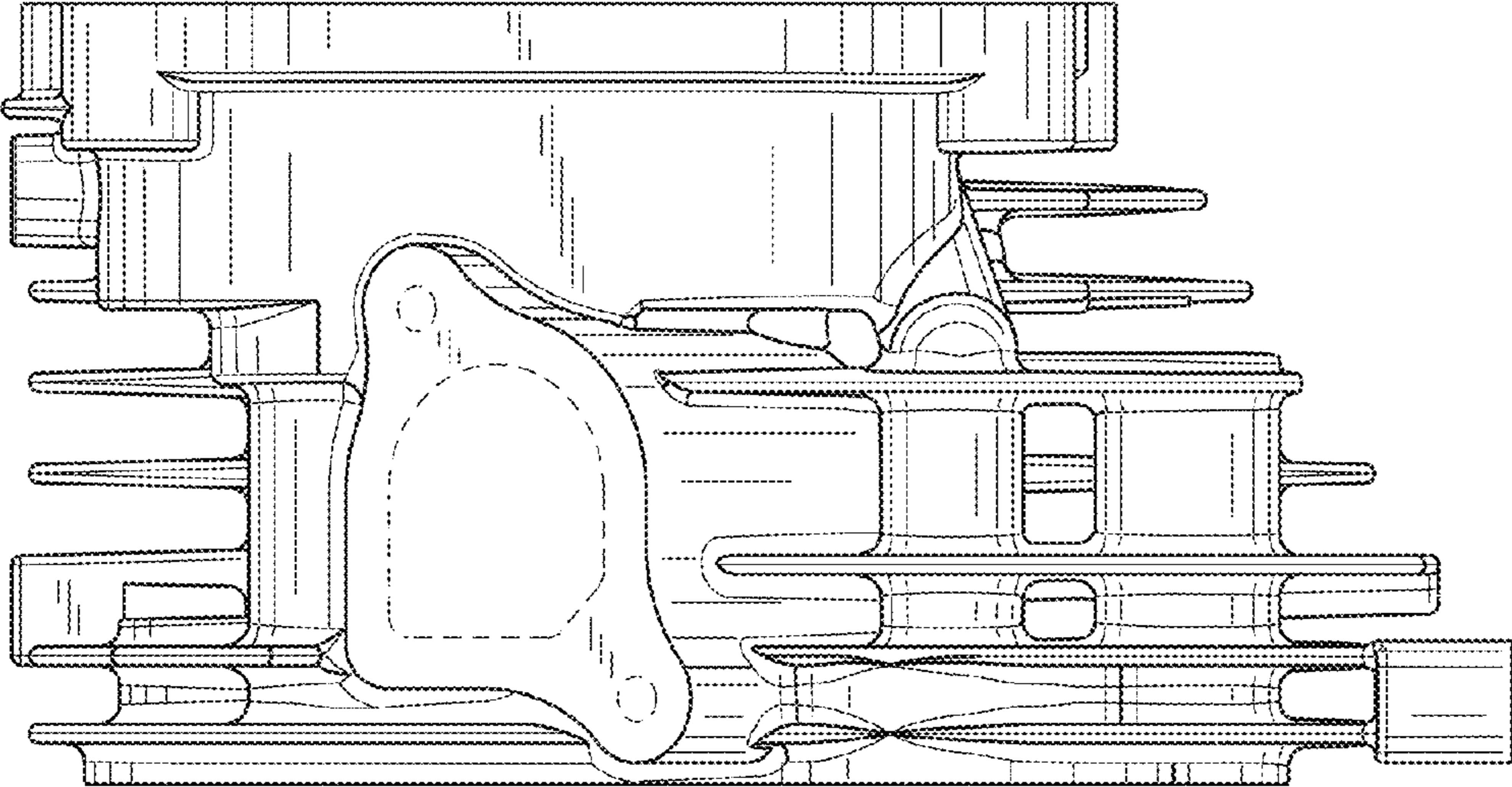


FIG. 3

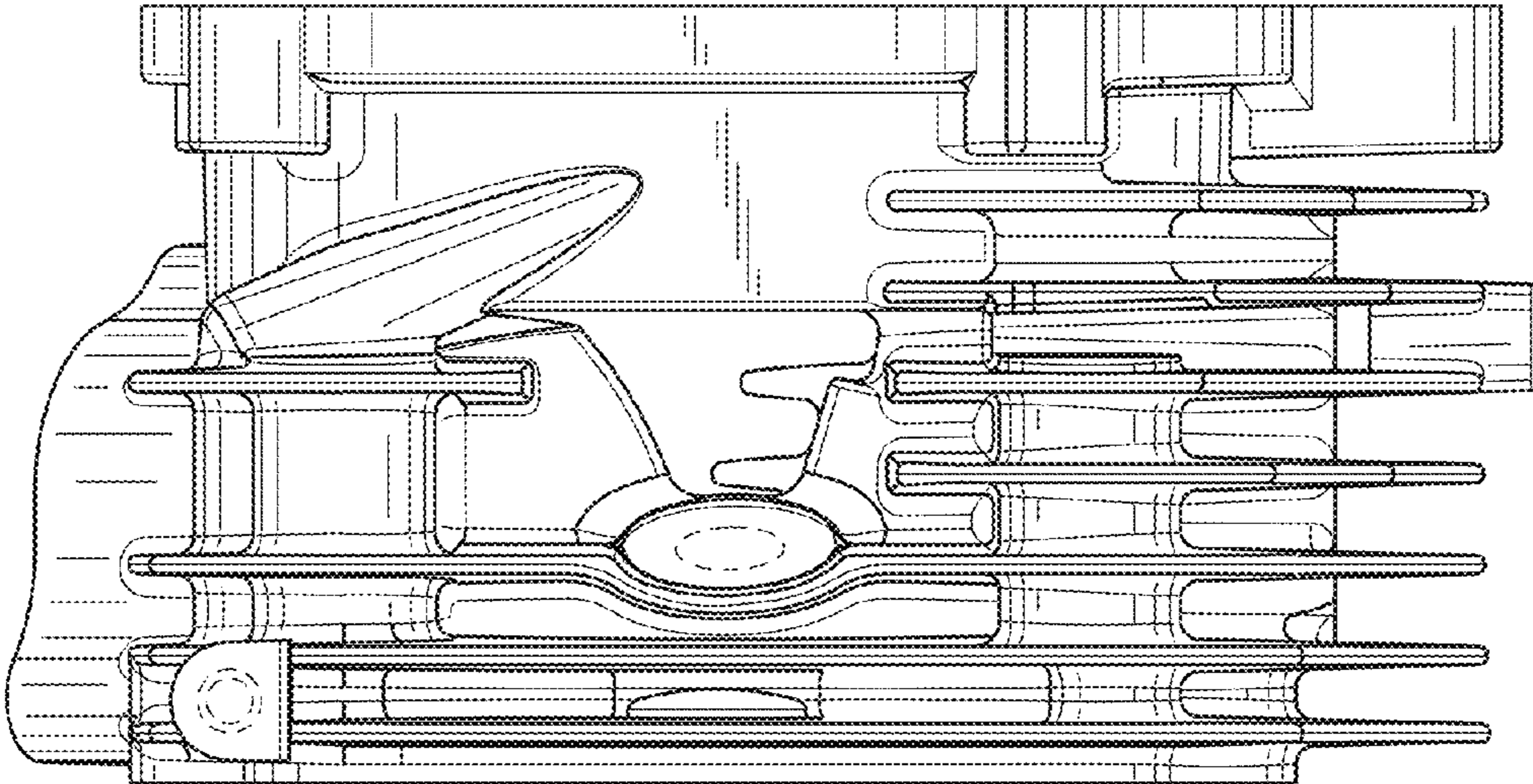


FIG. 4



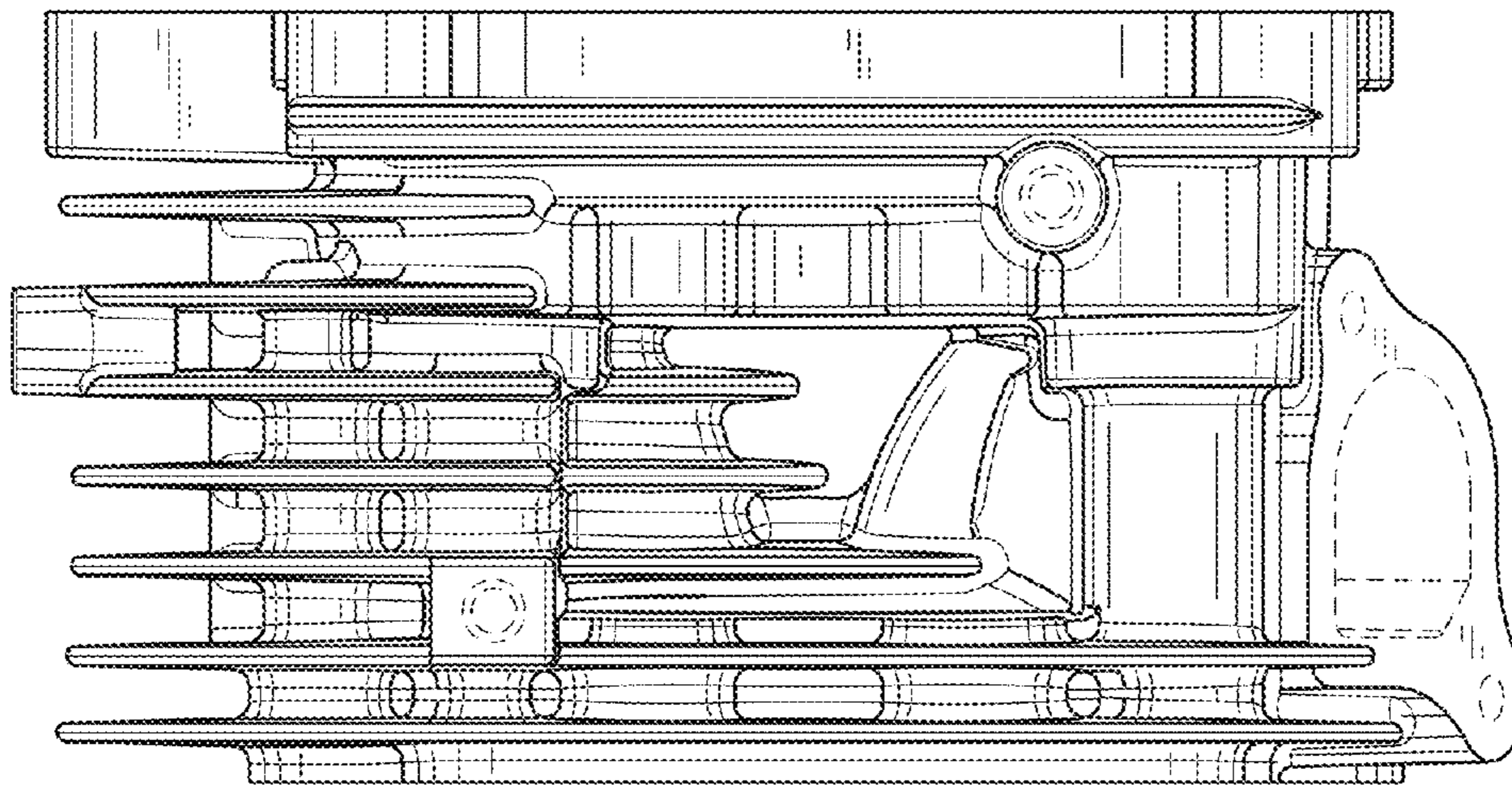


FIG. 5

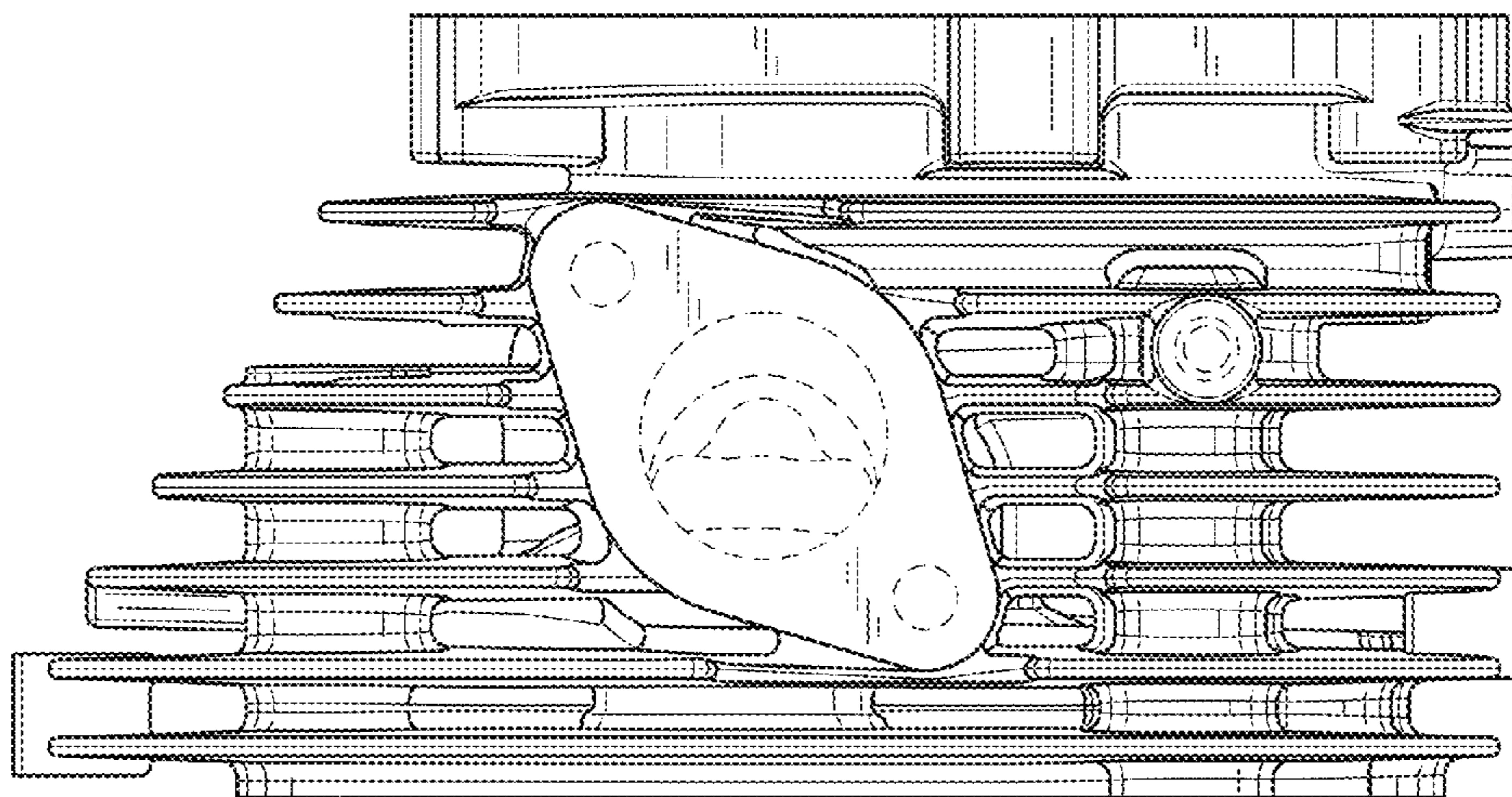


FIG. 6

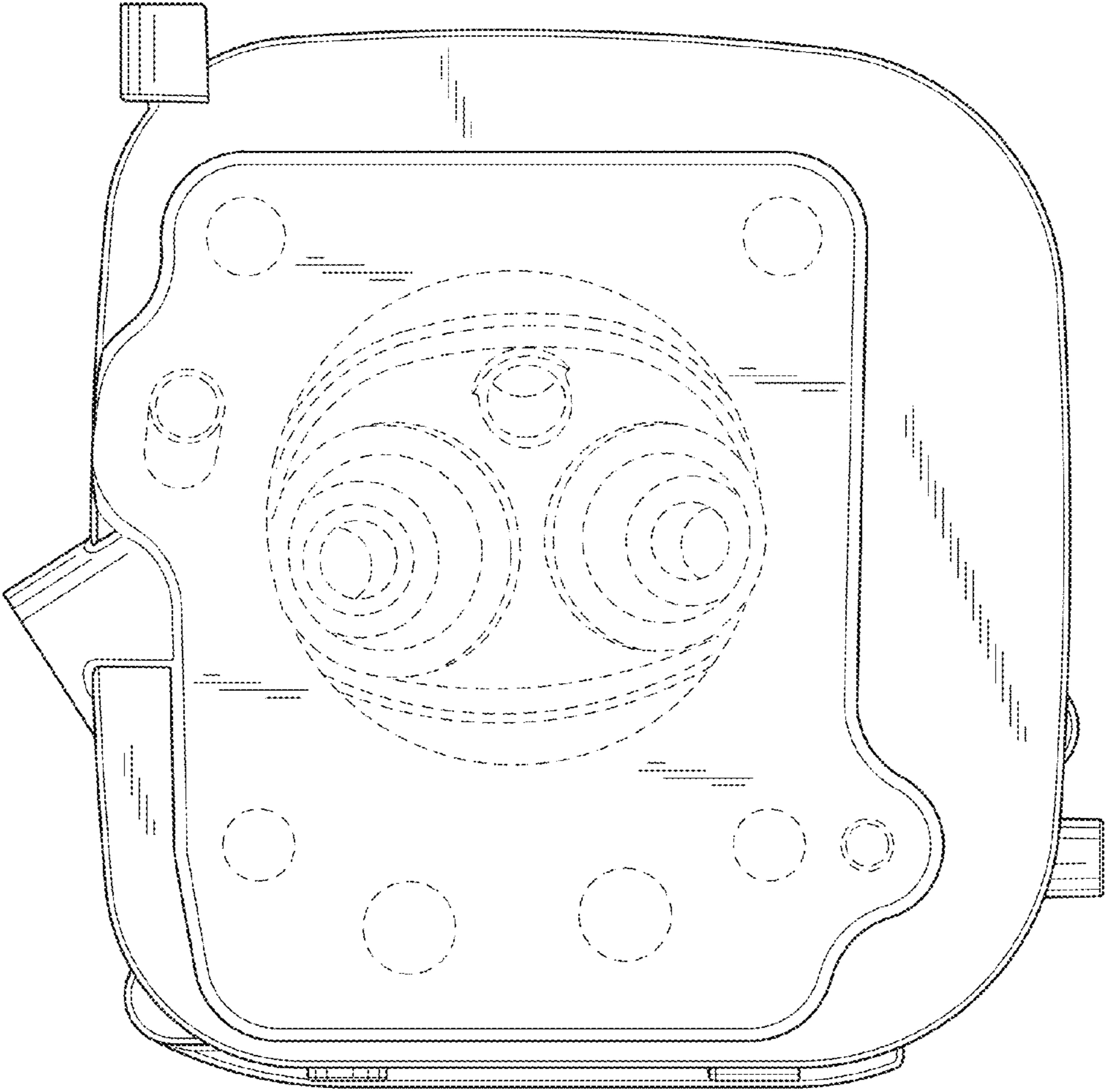


FIG. 7