



US00D753185S

(12) **United States Design Patent**
Ryu et al.

(10) **Patent No.:** **US D753,185 S**
(45) **Date of Patent:** **** Apr. 5, 2016**

(54) **PORTABLE AUDIO**

(71) Applicant: **LG ELECTRONICS INC.**, Seoul (KR)

(72) Inventors: **Daihyung Ryu**, Seoul (KR); **Sanghoon Yoon**, Seoul (KR); **Seonkyu Kim**, Seoul (KR)

(73) Assignee: **LG Electronics Inc.**, Seoul (KR)

(**) Term: **14 Years**

(21) Appl. No.: **29/518,832**

(22) Filed: **Feb. 27, 2015**

(30) **Foreign Application Priority Data**

Sep. 1, 2014 (KR) 30-2014-0042598

(51) **LOC (10) Cl.** **14-03**

(52) **U.S. Cl.**
USPC **D14/496**

(58) **Field of Classification Search**
USPC D14/496, 401, 435, 474, 483, 217, 137, D14/138, 160, 168, 356, 203.1-203.8, 507, D14/204, 210, 214, 219; 345/156, 169, 345/173-179, 905; 715/727-729, 864; 710/1, 5, 8; 713/1, 600; 455/1.1, 1.7, 455/73, 344-347, 93, 95, 3.01-3.06, 550.1, 455/573.1; 370/342-344; 369/1, 2, 6-12; 463/43-47; 273/148 B; 181/157, 181/198-25, 210, 211
CPC A63F 9/24; A63F 13/00; G06F 9/24; G06F 12/00; G06F 19/00; H05K 5/00

See application file for complete search history.

(56) **References Cited**

U.S. PATENT DOCUMENTS

3,927,402	A *	12/1975	Thompson	A63J 17/00 340/815.45
4,875,143	A *	10/1989	Fernandez	B60Q 1/26 362/234
5,886,304	A *	3/1999	Schlenzig	F21V 33/0056 181/153
6,000,493	A *	12/1999	Chen	H04R 1/028 181/141
D579,952	S *	11/2008	Yamada	D14/496
D719,928	S *	12/2014	Birger	D14/203.3
D723,586	S *	3/2015	Joo	D14/496
D727,360	S *	4/2015	Peng	D14/203.1
D730,942	S *	6/2015	Wong	D14/203.1
D747,356	S *	1/2016	Jou	D14/203.1

* cited by examiner

Primary Examiner — Prabhakar Deshmukh

(74) *Attorney, Agent, or Firm* — Birch, Stewart, Kolasch & Birch, LLP

(57) **CLAIM**

The ornamental design for a portable audio, as shown and described.

DESCRIPTION

FIG. 1 is a front, right side, perspective view of a portable audio showing our new design;
FIG. 2 is a front view thereof;
FIG. 3 is a rear view thereof;
FIG. 4 is a left side view thereof;
FIG. 5 is a right side view thereof;
FIG. 6 is a top view thereof; and,
FIG. 7 is a bottom view thereof.

1 Claim, 6 Drawing Sheets

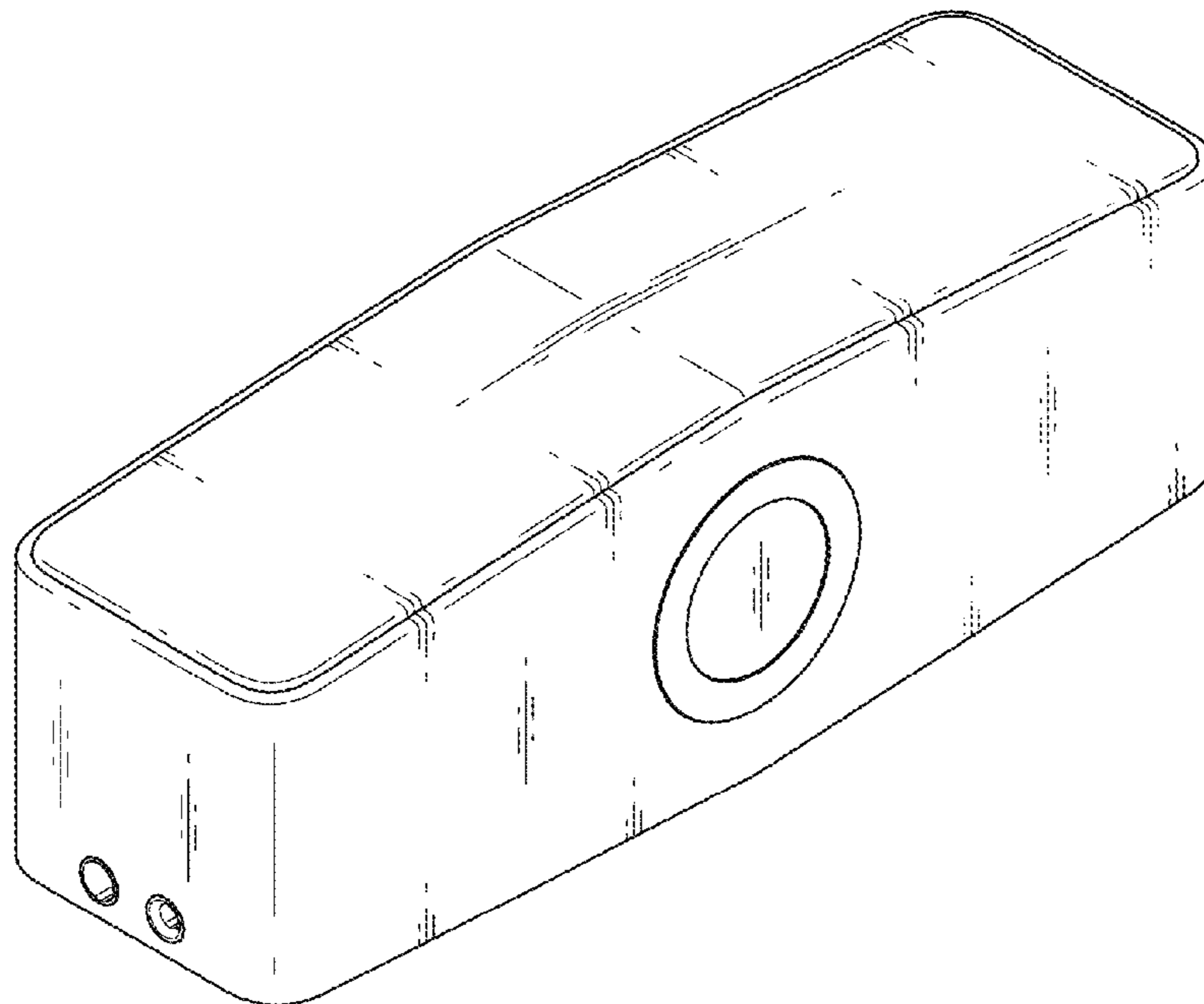


FIG. 1

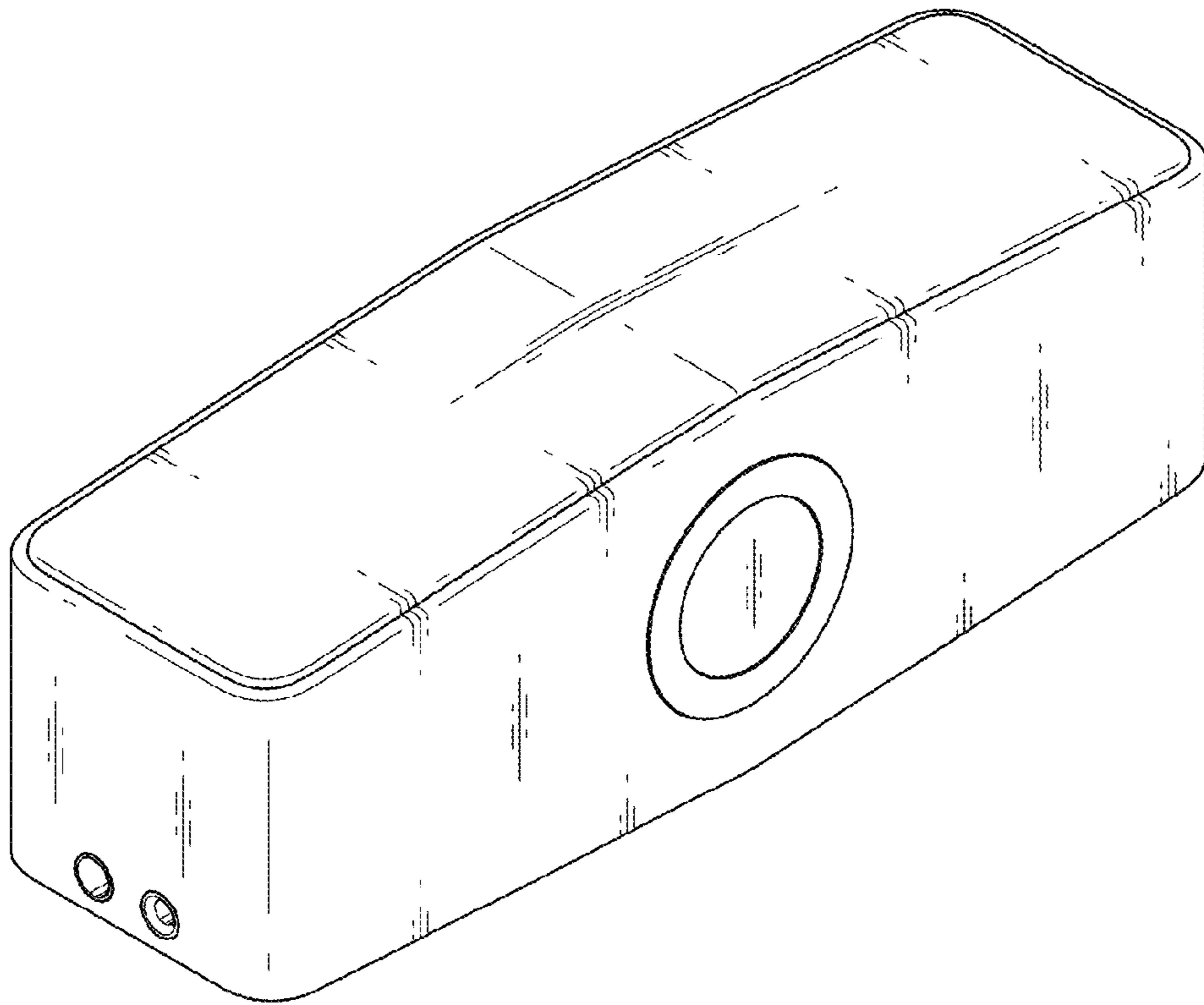


FIG. 2

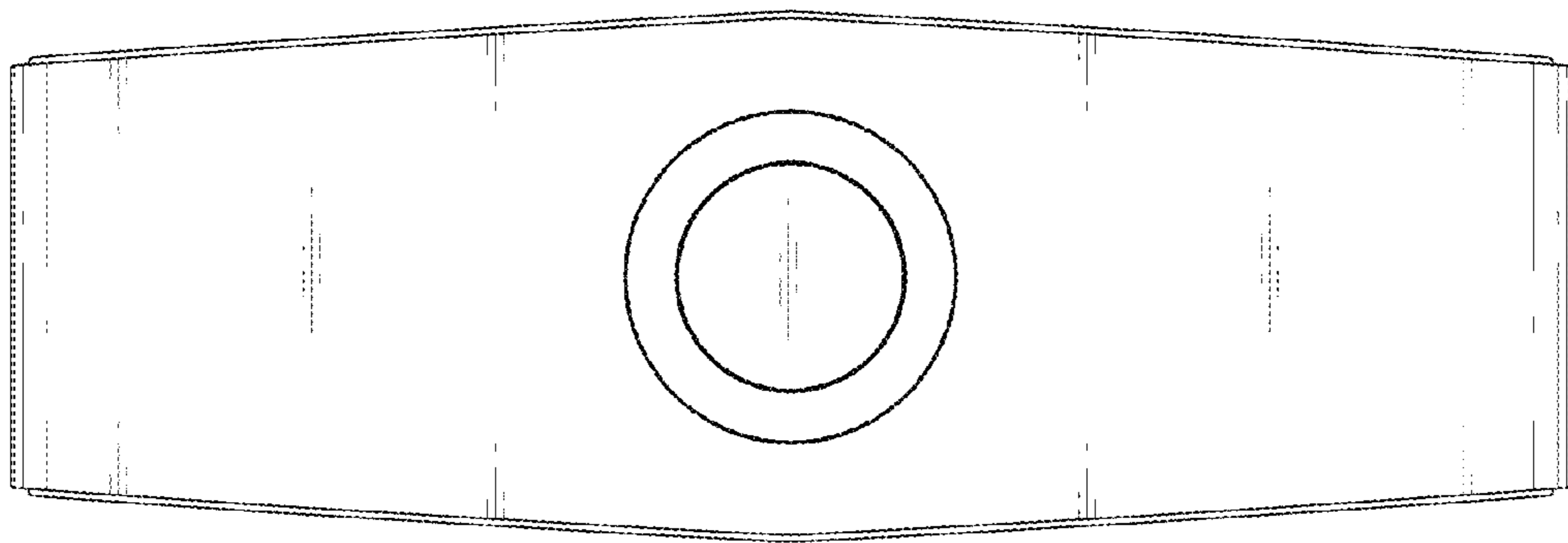


FIG. 3

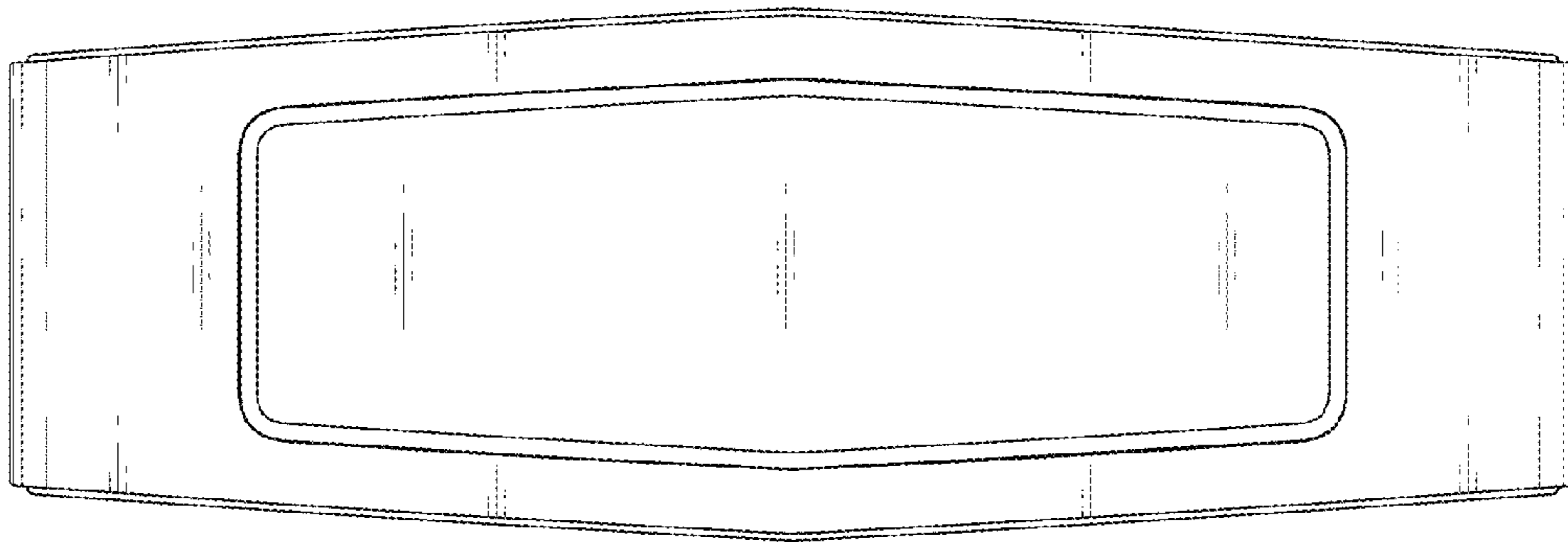


FIG. 4

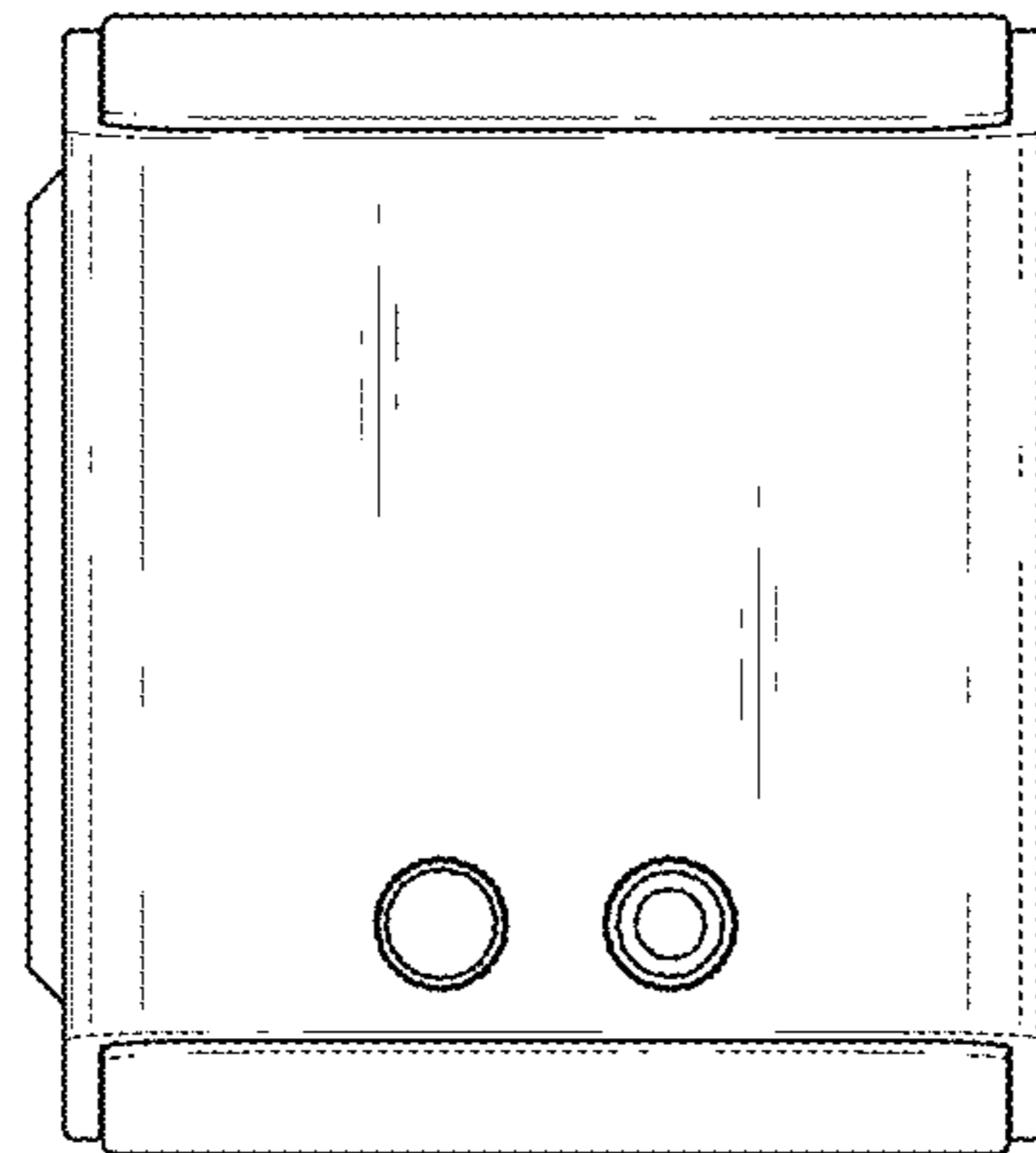


FIG. 5

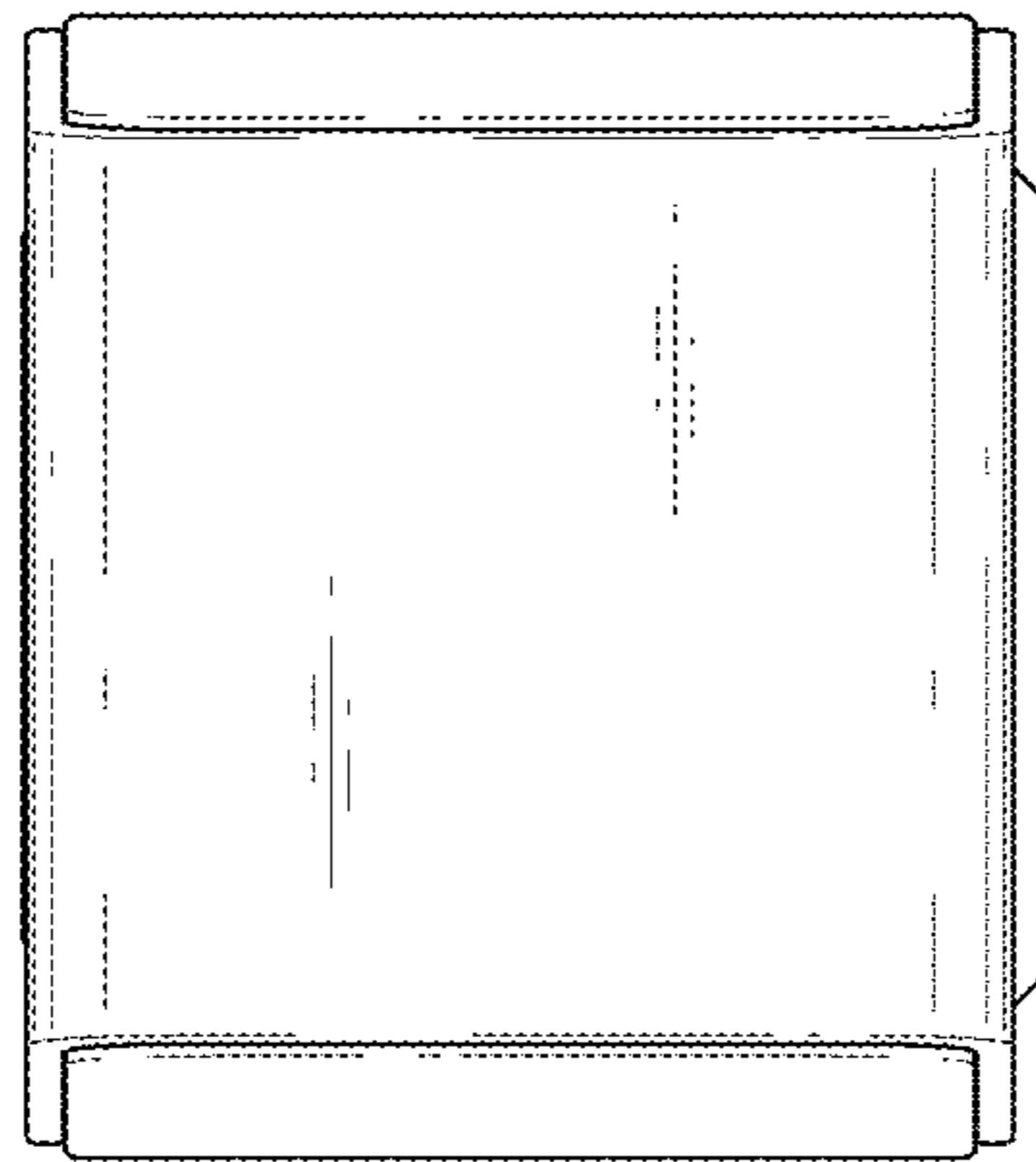


FIG. 6

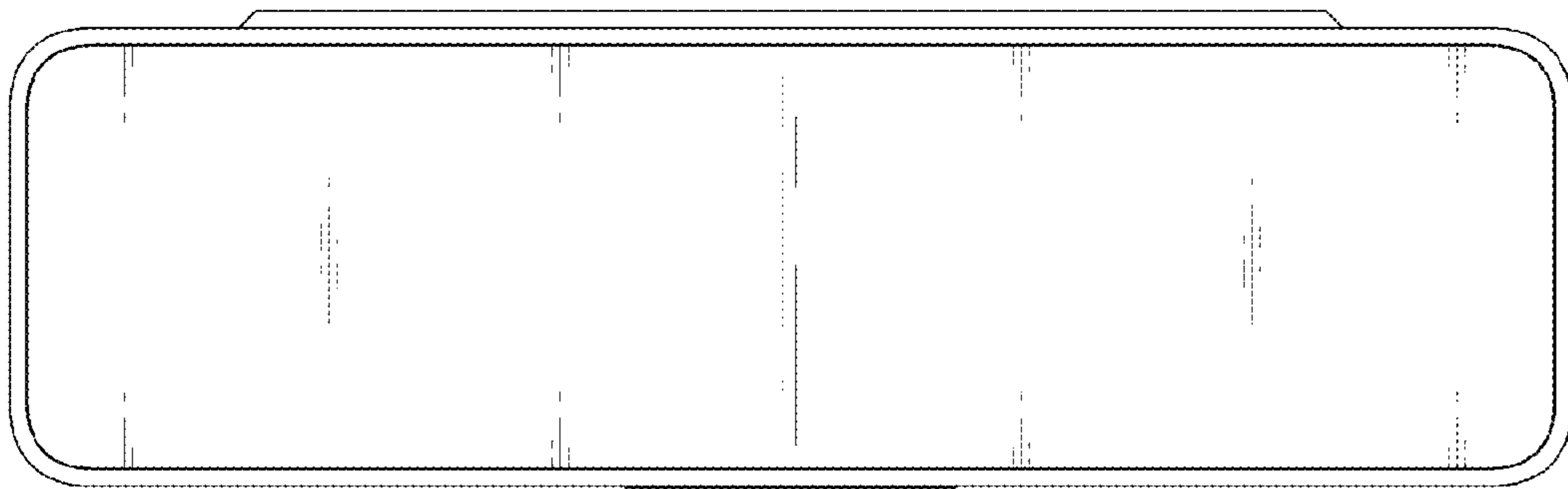


FIG. 7

