



US00D753148S

(12) **United States Design Patent**
Kim

(10) **Patent No.:** **US D753,148 S**
(45) **Date of Patent:** **** Apr. 5, 2016**

(54) **DISPLAY SCREEN OR PORTION THEREOF WITH ICON**

(71) Applicant: **Samsung Electronics Co., Ltd.**,
Suwon-si (KR)

(72) Inventor: **Ji-Eun Kim**, Suwon-Si (KR)

(73) Assignee: **SAMSUNG ELECTRONICS CO., LTD.** (KR)

(**) Term: **14 Years**

(21) Appl. No.: **29/489,385**

(22) Filed: **Apr. 29, 2014**

(30) **Foreign Application Priority Data**

Dec. 30, 2013 (KR) 30-2013-0066528

(51) **LOC (10) Cl.** **14-04**

(52) **U.S. Cl.**
USPC **D14/485**

(58) **Field of Classification Search**
USPC D14/485-488
CPC G11B 27/022; G11B 27/031; G06F 3/16;
G06F 3/165; G06F 17/30053; H04M 1/72558;
G10H 1/0008

See application file for complete search history.

(56) **References Cited**

U.S. PATENT DOCUMENTS

- 3,937,903 A * 2/1976 Osann, Jr. G11B 3/095
360/72.1
- D247,488 S * 3/1978 Ohtomo D14/202
- D249,143 S * 8/1978 Ohtomo D14/203
- D252,330 S * 7/1979 Leech D14/203
- D252,393 S * 7/1979 Kashidaira D14/203
- D253,290 S * 10/1979 Christie D14/202
- D253,648 S * 12/1979 Ohtomo D14/203
- 4,260,858 A * 4/1981 Beiser G11B 7/004
359/19

- D265,196 S * 6/1982 Matsumura D14/202
- D268,028 S * 2/1983 Ekuan D14/202
- D305,658 S * 1/1990 Hosaka D14/169
- D310,222 S * 8/1990 Aoki D14/162
- D394,815 S * 6/1998 Jorss D10/33
- D721,087 S * 1/2015 Barling D14/485
- D731,541 S * 6/2015 Lee D14/489
- D739,415 S * 9/2015 Barling D14/485
- D739,860 S * 9/2015 Perez D14/485
- D741,365 S * 10/2015 Torres D14/485
- 2008/0144478 A1 * 6/2008 Frederick G11B 3/64
369/264
- 2015/0117171 A1 * 4/2015 Gao G11B 33/125
369/15

OTHER PUBLICATIONS

Dj Elements Set 1, posted at ThinkStock.com by Fred_DL, posting date not posted, © 2015, [site visited Nov. 3, 2015]. Available from internet: <<http://www.thinkstockphotos.co.uk/image/stock-illustration-dj-elements-set-1/98285676>>.*

(Continued)

Primary Examiner — Eric Goodman
Assistant Examiner — Alyse Joseph
(74) *Attorney, Agent, or Firm* — Cantor Colburn LLP

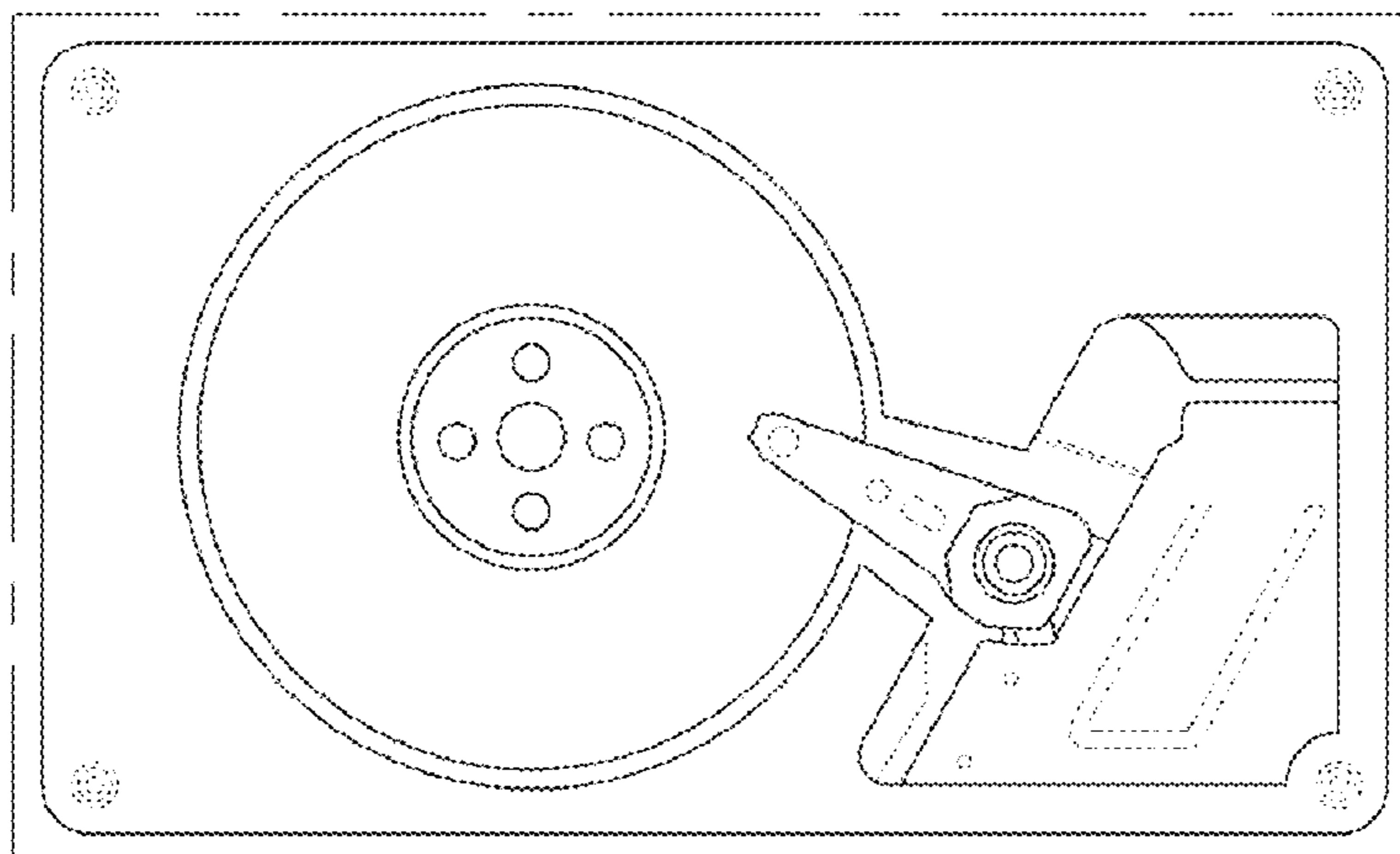
(57) **CLAIM**

I claim, the ornamental design for a display screen or portion thereof with icon, as shown and described.

DESCRIPTION

FIG. 1 is a front view of a display screen or portion thereof with icon, showing my new design;
FIG. 2 is another front view thereof, as shown in a display screen environment; and,
FIG. 3 is another front view thereof, as shown in another display screen environment.
The broken lines are for environmental purposes only and form no part of the claimed design. The dot-dash broken lines represent unclaimed boundary lines and form no part of the claimed design.

1 Claim, 3 Drawing Sheets



(56)

References Cited

OTHER PUBLICATIONS

Vinyl Player and Cassette Player, posted at 365psd.com by Vinyl Player and Cassette Player from 365psd.com, posting date not posted, © 2010-2015, [site visited Nov. 3, 2015]. Available from internet: <<http://365psd.com/vector/vinyl-player-and-cassette-player-35908>>.*

Free Vector Vinyl Images, posted at cliparts.co, posting date not posted, © 2015, [site visited Nov. 3, 2015]. Available from internet: <<http://cliparts.co/clipart/2390629>>.*

Turntable Vector, posted at VectorStock.com, posting date not posted, © 2010-2015, [site visited Nov. 3, 2015]. Available from internet: <<https://www.vectorstock.com/royalty-free-vector/turntable-vector-436464>>.*

* cited by examiner

FIG. 1

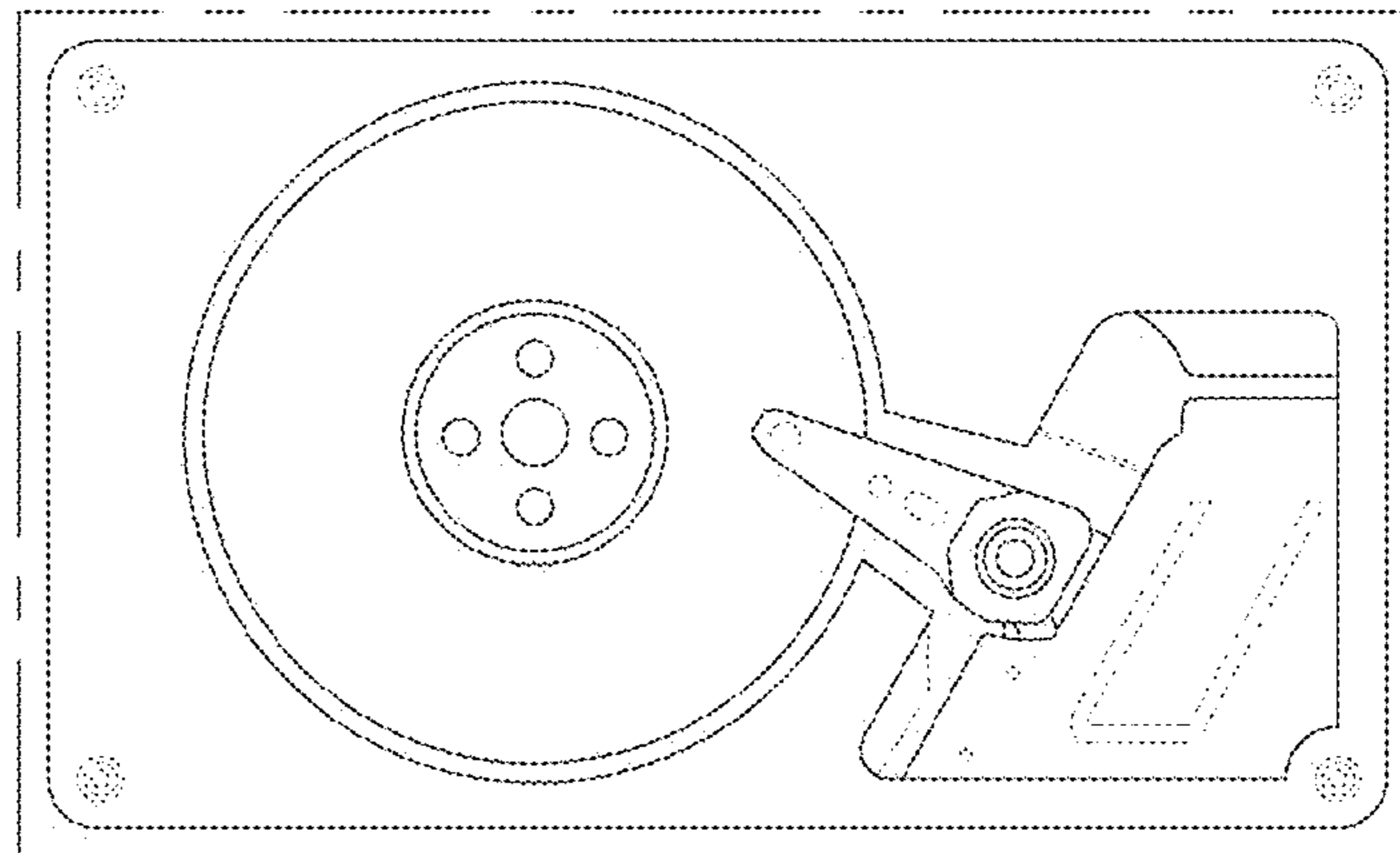


FIG. 2

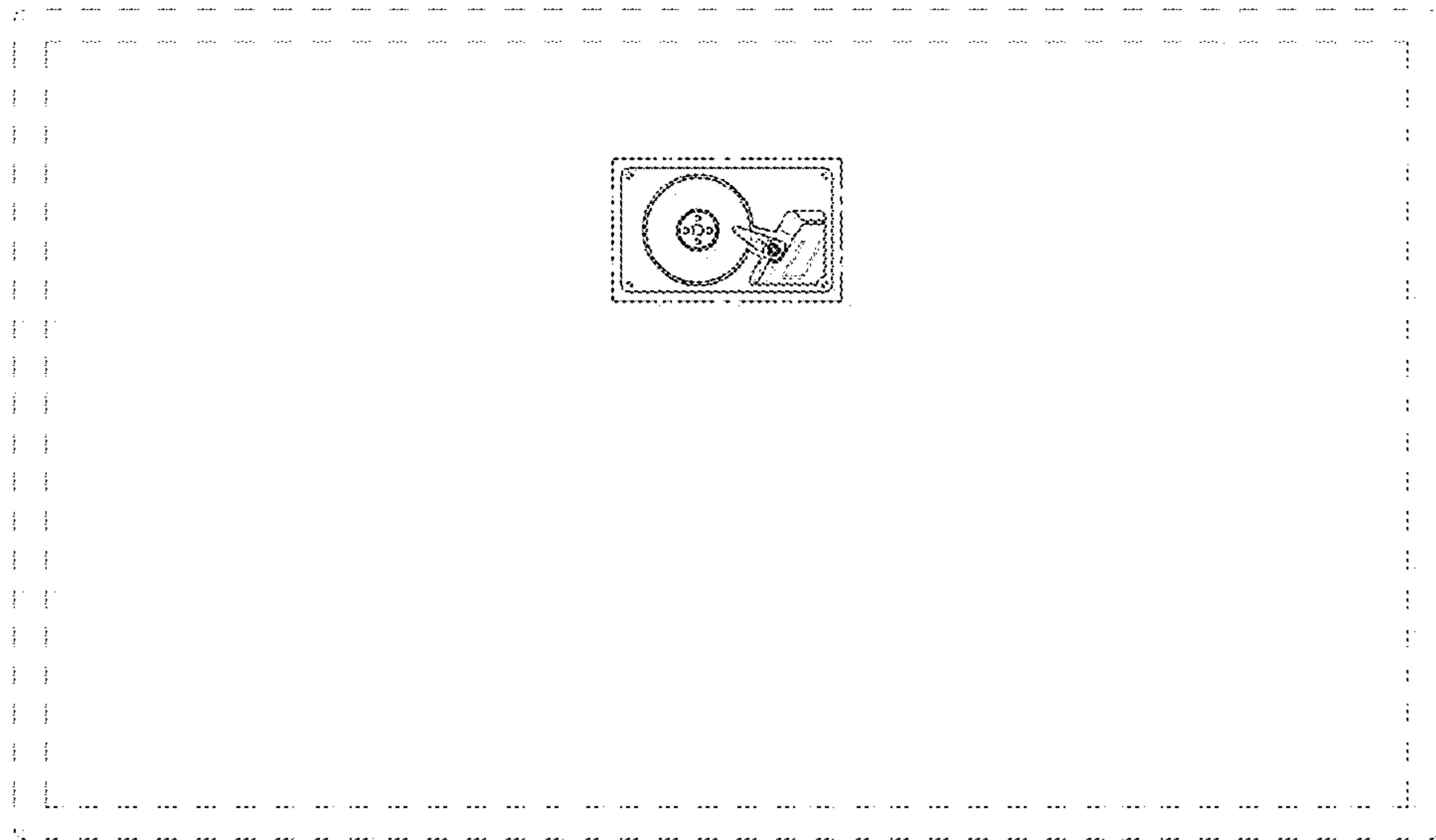


FIG. 3

