



US00D753129S

(12) **United States Design Patent**
Ozolins et al.

(10) **Patent No.:** **US D753,129 S**

(45) **Date of Patent:** **** Apr. 5, 2016**

(54) **FOB CARRIER**

(71) Applicant: **BLOOMBERG FINANCE L.P.**, New York, NY (US)

(72) Inventors: **Helmars E. Ozolins**, Orient, NY (US);
Avram Kaufman, New York, NY (US);
Adam Goldsmith, Larchmont, NY (US);
Sean Roarty, Ossining, NY (US); **Sigrid G. Moeslinger**, New York, NY (US);
Masamichi Udagawa, New York, NY (US)

(73) Assignee: **Bloomberg Finance L.P.**, New York, NY (US)

(**) Term: **14 Years**

(21) Appl. No.: **29/511,933**

(22) Filed: **Dec. 15, 2014**

(51) **LOC (10) Cl.** **14-99**

(52) **U.S. Cl.**
USPC **D14/484.1**

(58) **Field of Classification Search**

USPC D14/411, 433, 432, 435.1, 436,
D14/480.1-480.7, 484.1, 137, 138, 140,
D14/155, 203.1-203.8, 240, 242, 356, 358,
D14/188, 217, 299, 191; D13/133, 154,
D13/110, 184; D3/273, 208; D9/432, 434;
D10/65, 75, 78
CPC A44B 15/005; H05K 5/0278; G06K
19/07732

See application file for complete search history.

(56) **References Cited**

U.S. PATENT DOCUMENTS

| | | | | |
|--------------|------|---------|------------------|-------------------------|
| 2,589,349 | A * | 3/1952 | Diefenbach | A45C 11/32 131/241 |
| D246,875 | S * | 1/1978 | Ellison | D3/208 |
| D337,884 | S * | 8/1993 | Dindorf | D3/208 |
| D524,817 | S * | 7/2006 | Conley | D14/480.5 |
| 7,463,134 | B1 * | 12/2008 | Stilley | A45C 11/18 340/5.61 |
| D585,077 | S * | 1/2009 | Sheba | D14/434 |
| D598,193 | S * | 8/2009 | Miles | D3/208 |
| D622,955 | S * | 9/2010 | Mudrick | D3/208 |
| D629,407 | S * | 12/2010 | Otsuka | D14/480.5 |
| D636,986 | S * | 5/2011 | Idsoe | D3/208 |
| D661,889 | S * | 6/2012 | Wu | D3/207 |
| D708,435 | S * | 7/2014 | Davis | D3/212 |
| D737,566 | S * | 9/2015 | Gaddis | D3/208 |
| 2007/0033974 | A1 * | 2/2007 | Calavenna | A44B 15/005 70/456 R |

* cited by examiner

Primary Examiner — Karen E Kearney

Assistant Examiner — Nathaniel D Buckner

(74) *Attorney, Agent, or Firm* — Chlesa Shahinian & Giantomasi PC

(57) **CLAIM**

The ornamental design for a fob carrier, as shown and described.

DESCRIPTION

FIG. 1 is a front perspective view of a fob carrier according to our design;

FIG. 2 is a top view thereof;

FIG. 3 is a bottom view thereof;

FIG. 4 is a right side view thereof;

FIG. 5 is a left side view thereof;

FIG. 6 is a rear view thereof; and,

FIG. 7 is a front view thereof.

The broken lines in the figures represent portions of the article which form no part of the claim.

1 Claim, 2 Drawing Sheets

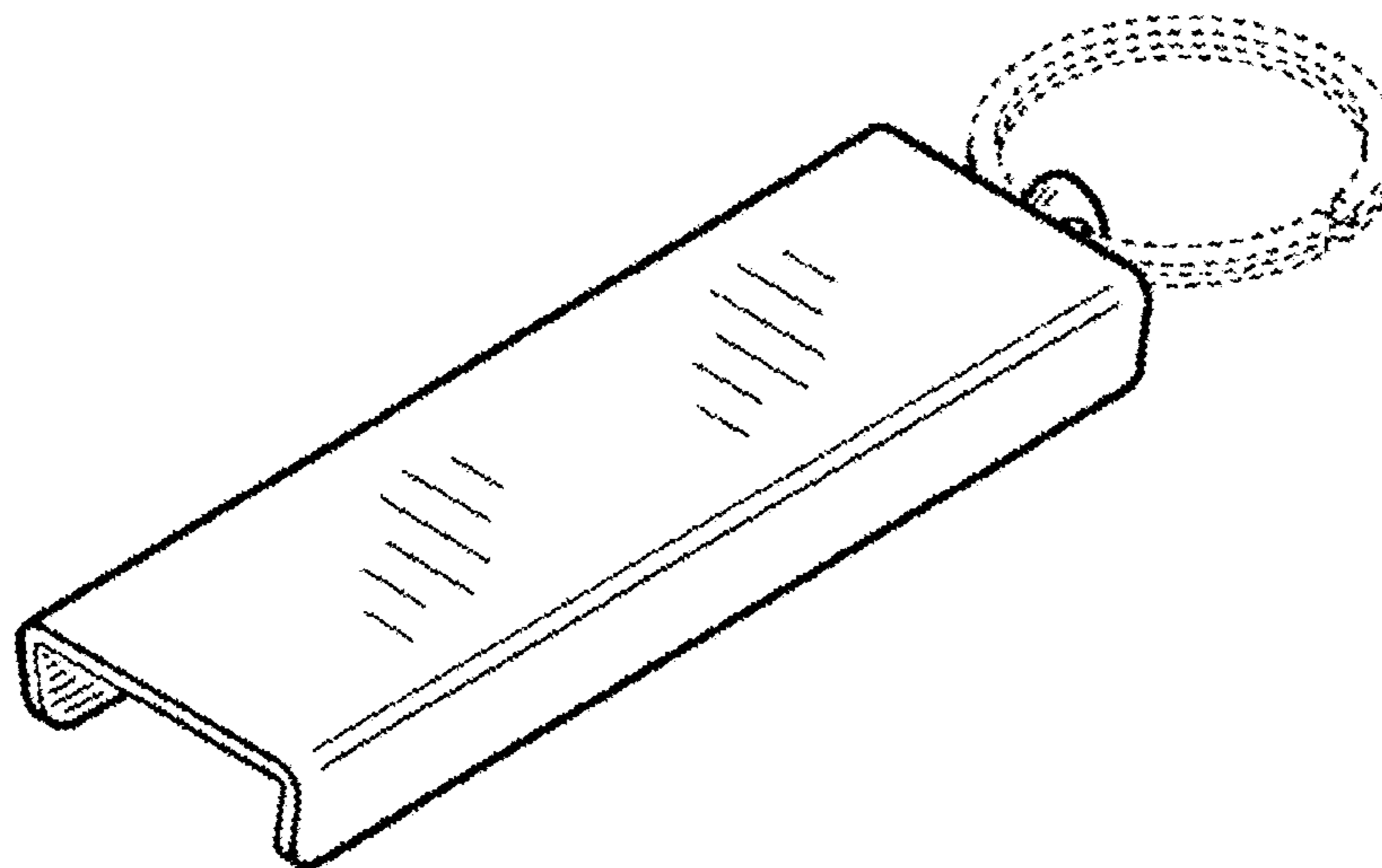


FIG. 1

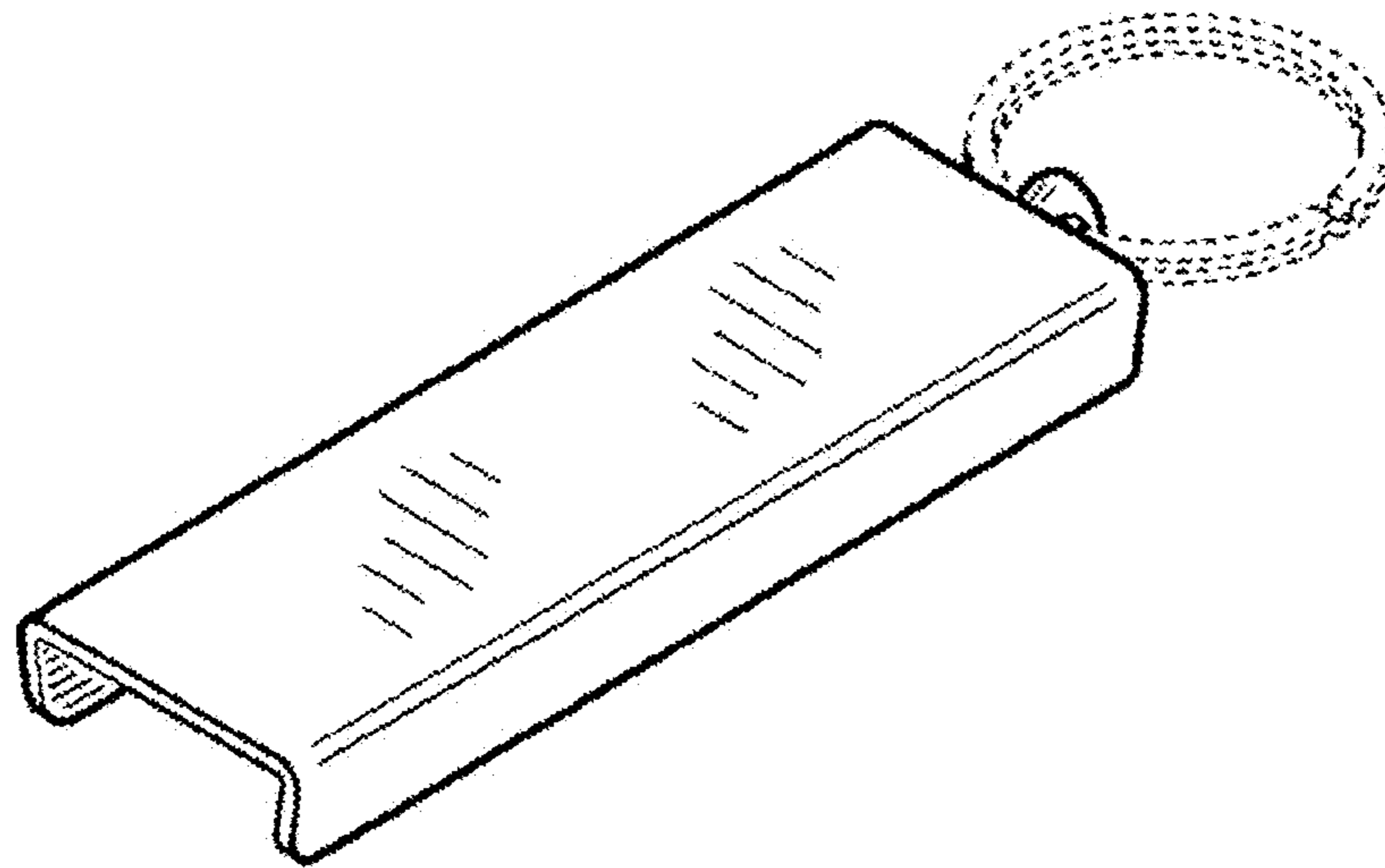


FIG. 2

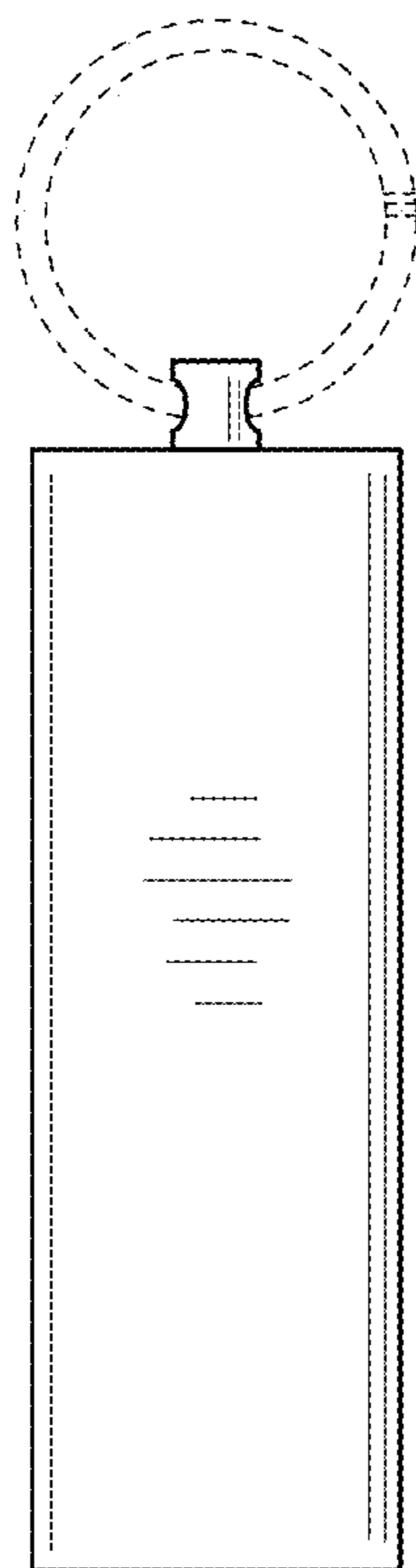


FIG. 3

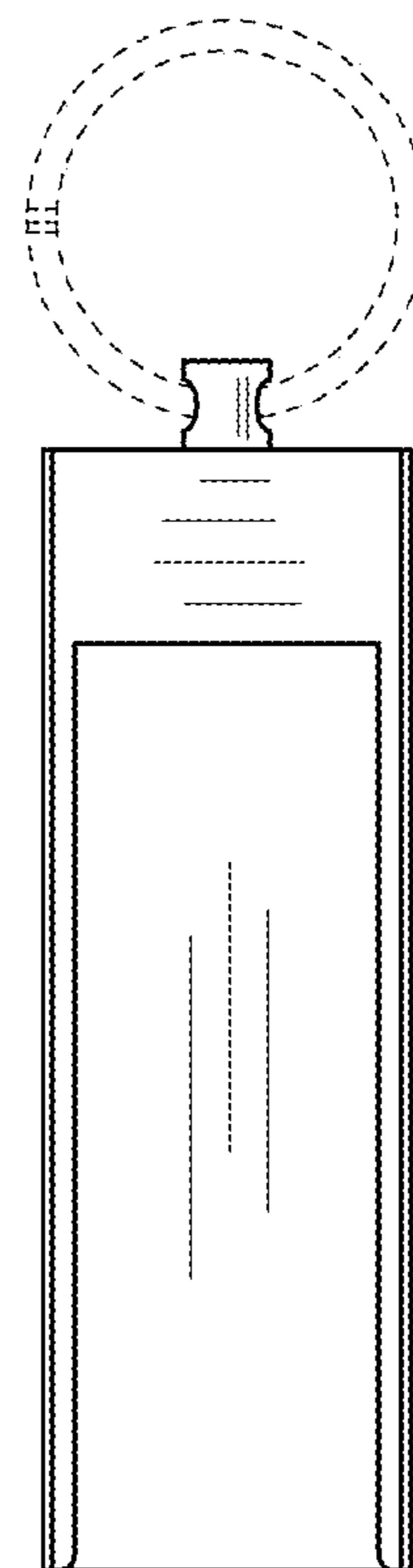


FIG. 4

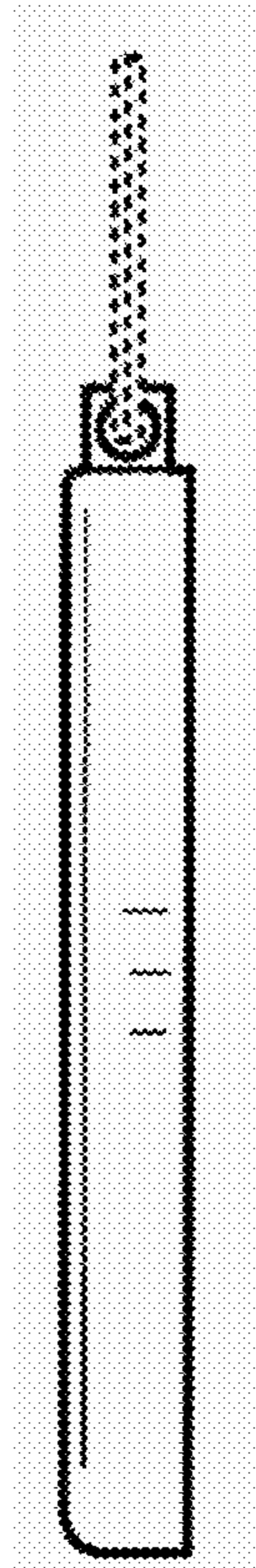


FIG. 5

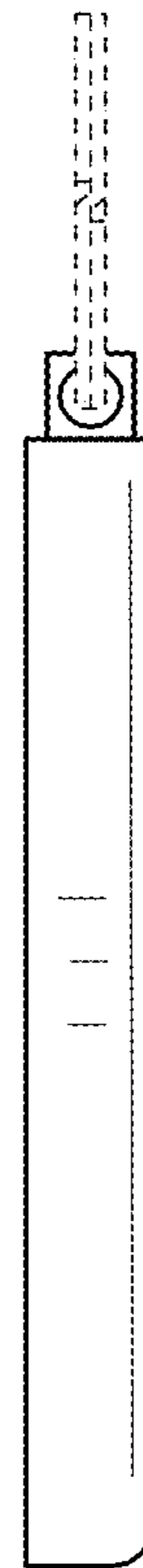


FIG. 6

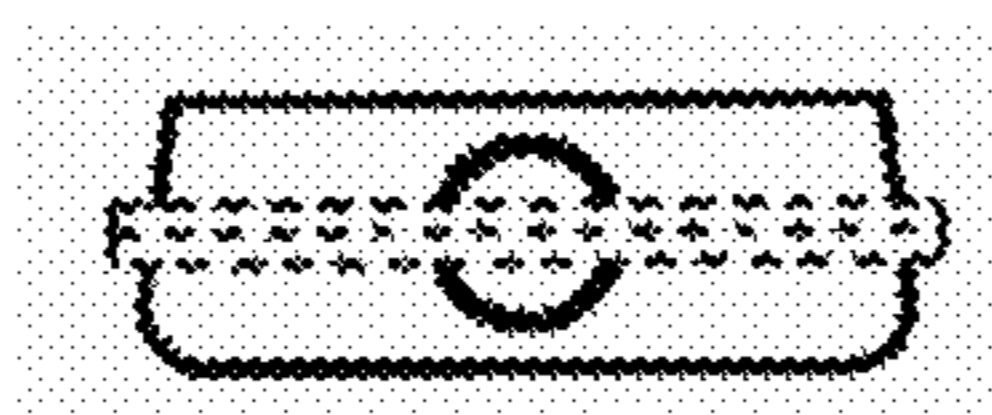


FIG. 7

