



US00D753127S

(12) **United States Design Patent**
Walker

(10) **Patent No.:** **US D753,127 S**
(45) **Date of Patent:** **** Apr. 5, 2016**

(54) **ADVERTISEMENT APPARATUS ATTACHED TO THE FACE OF BEZEL**

(71) Applicant: **John Lowell Walker**, Seffner, FL (US)

(72) Inventor: **John Lowell Walker**, Seffner, FL (US)

(**) Term: **14 Years**

(21) Appl. No.: **29/513,403**

(22) Filed: **Dec. 30, 2014**

(51) **LOC (10) Cl.** **14-02**

(52) **U.S. Cl.**

USPC **D14/450**

(58) **Field of Classification Search**

USPC D14/371–382, 125–129, 336, 337, D14/447–452, 492, 335, 239, 457, 439–441, D14/432, 251–253; D8/349, 354, 363, 373, D8/376, 380; D21/333; D12/415; D3/218; 348/180, 184, 325, 739, 825; 248/323, 248/278.1, 286.1; D6/660, 661, 671, 672, D6/675, 675.1–675.3, 682, 677.1, 678.1, D6/678.2, 681.2

CPC G06F 3/0412; G06F 3/016; G06F 3/0488; G06F 3/011; G06F 3/038; G06F 3/03543; G06F 3/0338; G06F 3/0202; G06F 3/0219; G06F 3/0213; G06F 1/1616; G06F 3/023; G06F 3/04883; G02F 1/13338; G02F 1/1313; G02F 1/1333; G02F 1/135; G02F 1/132; G02F 1/133308; G02F 1/134309; G02F 1/13718; G09G 3/3648; G06K 15/1252; B41J 2/465; G03F 7/70291; G02B 27/0172; G02B 5/30; G02B 2027/0118; G02B 27/0101; F16M 13/02; F16M 13/00; F16M 11/10; F16M 11/04; F16M 2200/08; F16M 11/2021; A47B 21/0314; A47B 88/044; A47B 2021/0335; H02G 3/126; F16B 47/00; F16B 47/006; A47G 1/17; A47K 2201/00

See application file for complete search history.

(56) **References Cited**

U.S. PATENT DOCUMENTS

4,869,565	A *	9/1989	Bachman	G06F 1/1607 248/918
5,104,087	A *	4/1992	Wentzloff	A47B 21/045 248/442.2
5,398,905	A *	3/1995	Hinson	G06F 1/1607 248/442.2
D367,857	S *	3/1996	Emmerik	D14/450
5,549,267	A *	8/1996	Armbruster	A47B 21/045 248/442.2
D392,682	S *	3/1998	Johnston	D20/10
6,412,744	B1 *	7/2002	Wollam	A47B 21/045 248/442.2
6,478,282	B1 *	11/2002	Flemming	A47B 21/045 248/205.2
D486,831	S *	2/2004	Dayani	D14/448

(Continued)

Primary Examiner — Deanna L Pratt

Assistant Examiner — Katie Mroczka

(57)

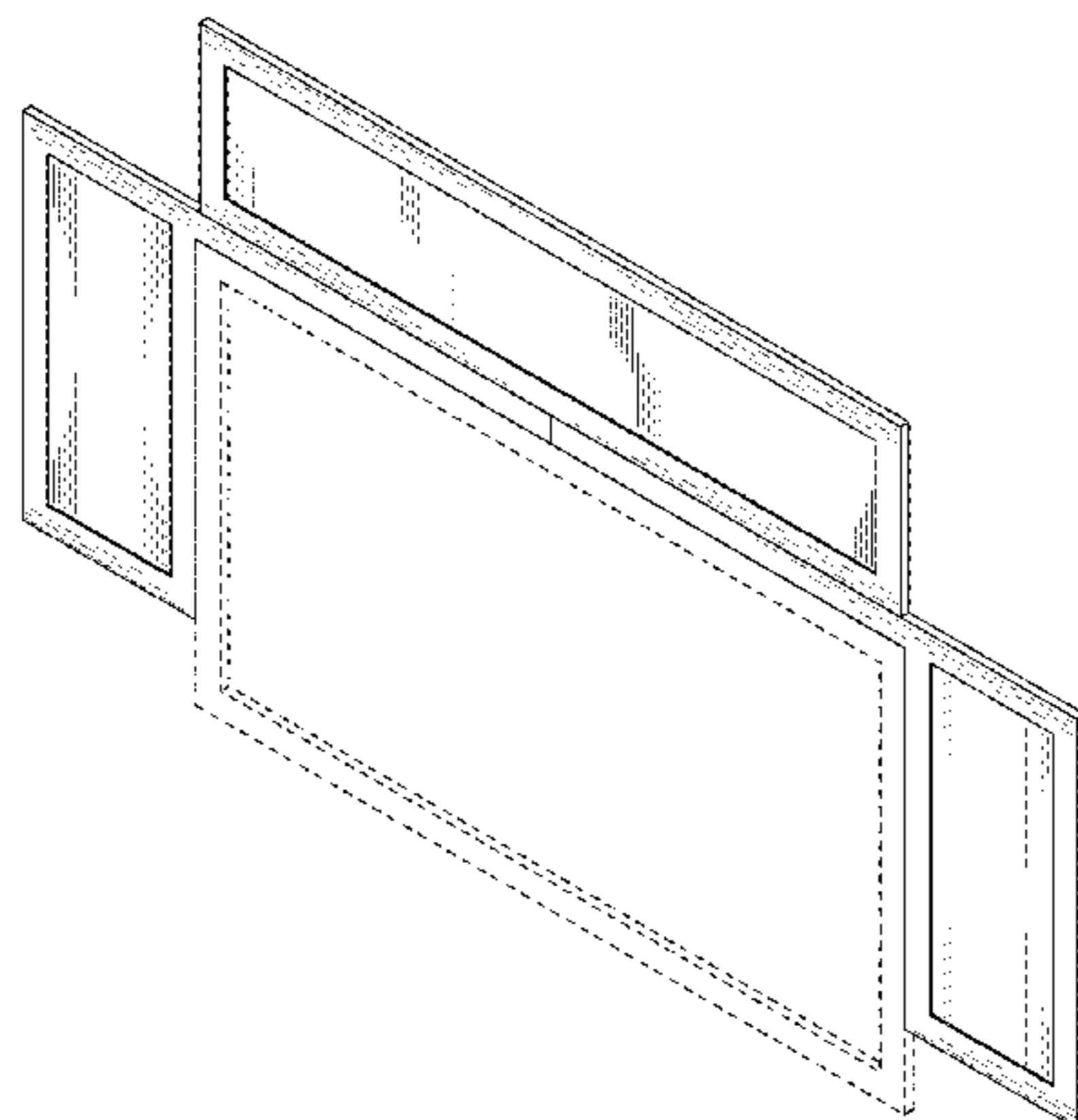
CLAIM

The ornamental design for an advertisement apparatus attached to the face of bezel, as shown and described.

DESCRIPTION

FIG. 1 is a front elevational view of an advertisement apparatus attached to the face of bezel;
FIG. 2 is a rear elevational view thereof;
FIG. 3 is a right side elevational view thereof;
FIG. 4 is a left side elevational view thereof;
FIG. 5 is a top plan view thereof;
FIG. 6 is a bottom plan view thereof;
FIG. 7 is a perspective view thereof;
FIG. 8 is an exploded front elevational view thereof, showing frames separated from a display bezel;
FIG. 9 is an exploded perspective view thereof, showing the frames separated from the display bezel;
FIG. 10 is another exploded front elevational view thereof, showing the frames separated from the display bezel and removable advertising panels separated from frames; and,
FIG. 11 is another exploded perspective view thereof, showing the frames separated from the display bezel and the removable advertising panels separated from frames.
The broken line showing of a display bezel is included for the purpose of illustrating environmental structure and forms no part of the claimed design.

1 Claim, 11 Drawing Sheets



(56)

References Cited

U.S. PATENT DOCUMENTS

D508,054 S * 8/2005 Ramsey D14/448
D508,695 S * 8/2005 Vaughn D14/448
D509,221 S * 9/2005 Suber D14/448
D546,073 S * 7/2007 Mischel, Jr. D6/300
D654,502 S 2/2012 Walker

D658,191 S * 4/2012 Ruggiero D14/450
D664,545 S 7/2012 Walker
D681,042 S 4/2013 Walker
D738,849 S * 9/2015 Kim D14/204
2001/0046115 A1* 11/2001 Genicevitch G06F 1/1607
361/679.02
2013/0018735 A1 1/2013 Walker

* cited by examiner

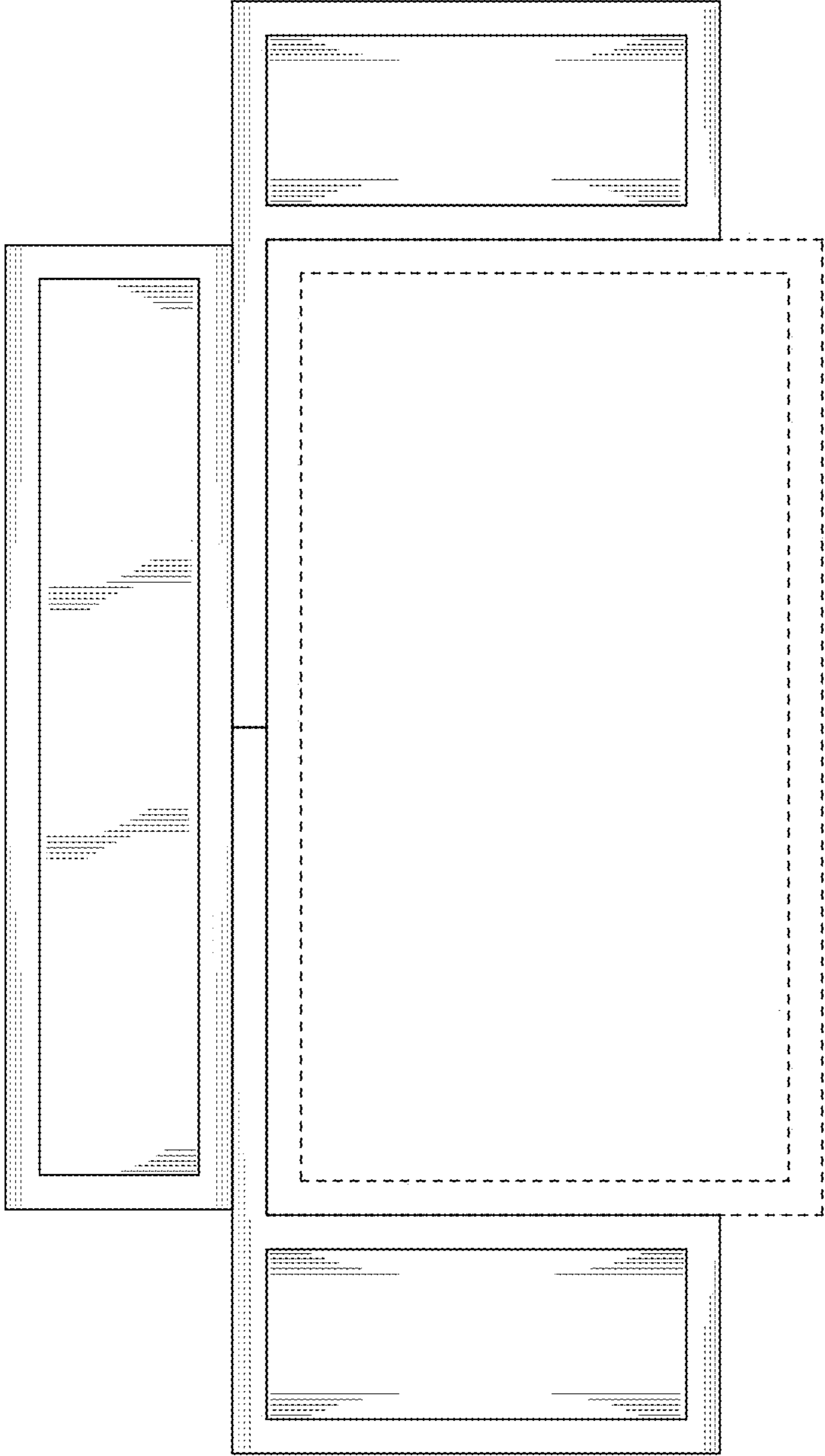


FIG. 1

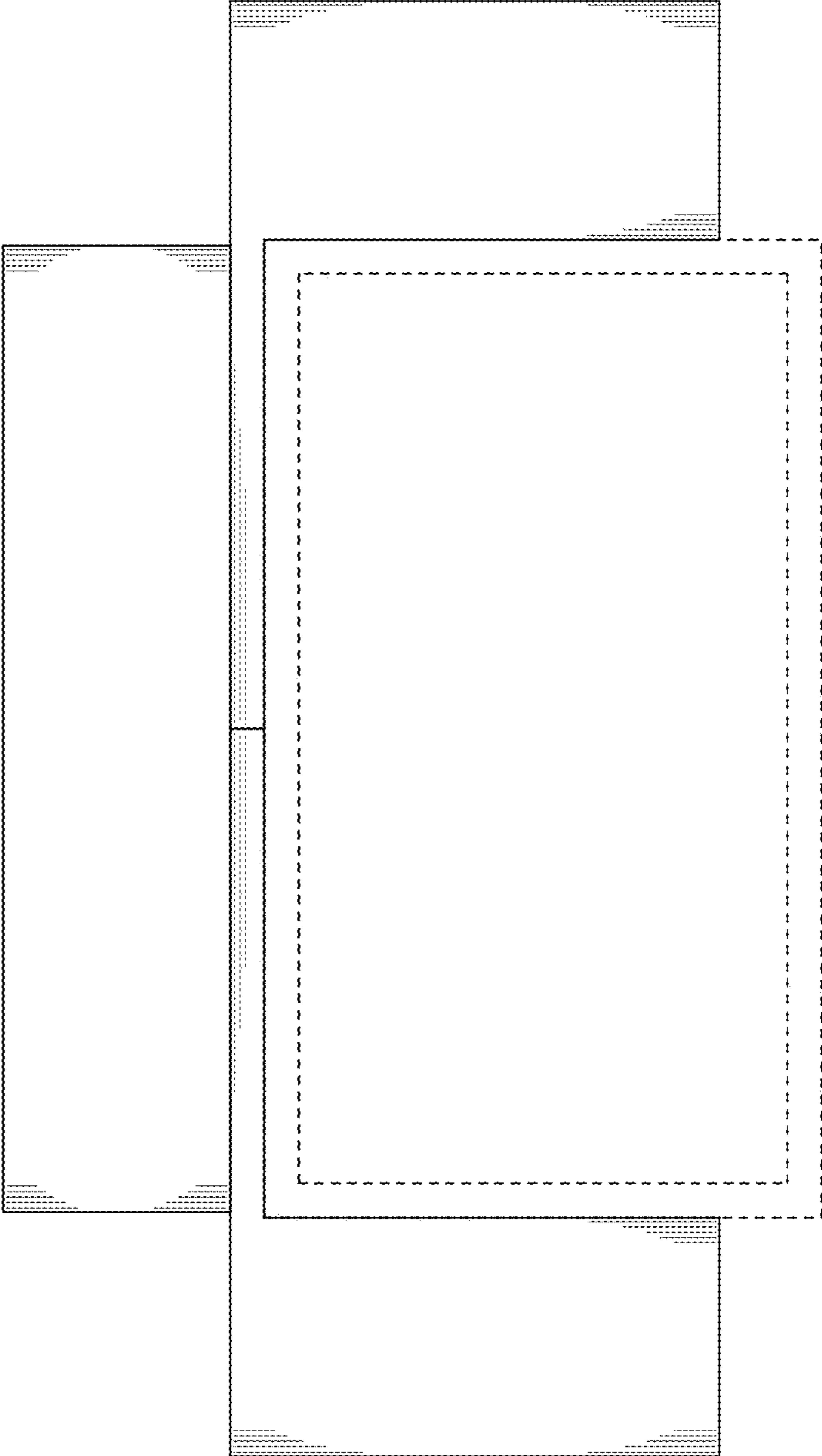


FIG. 2

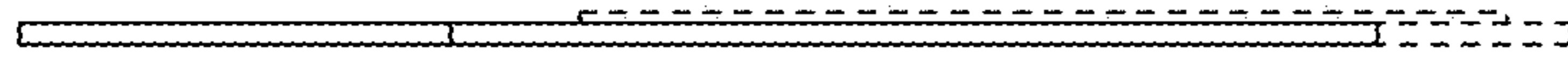


FIG. 3

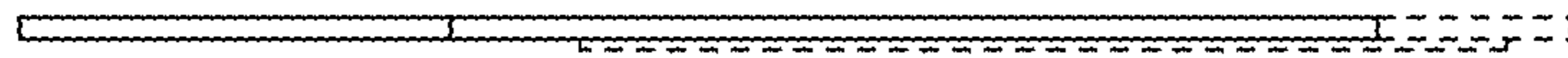


FIG. 4

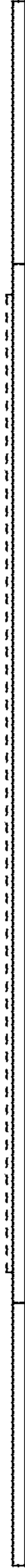


FIG. 5

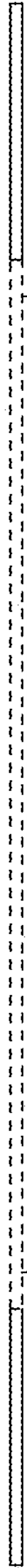


FIG. 6

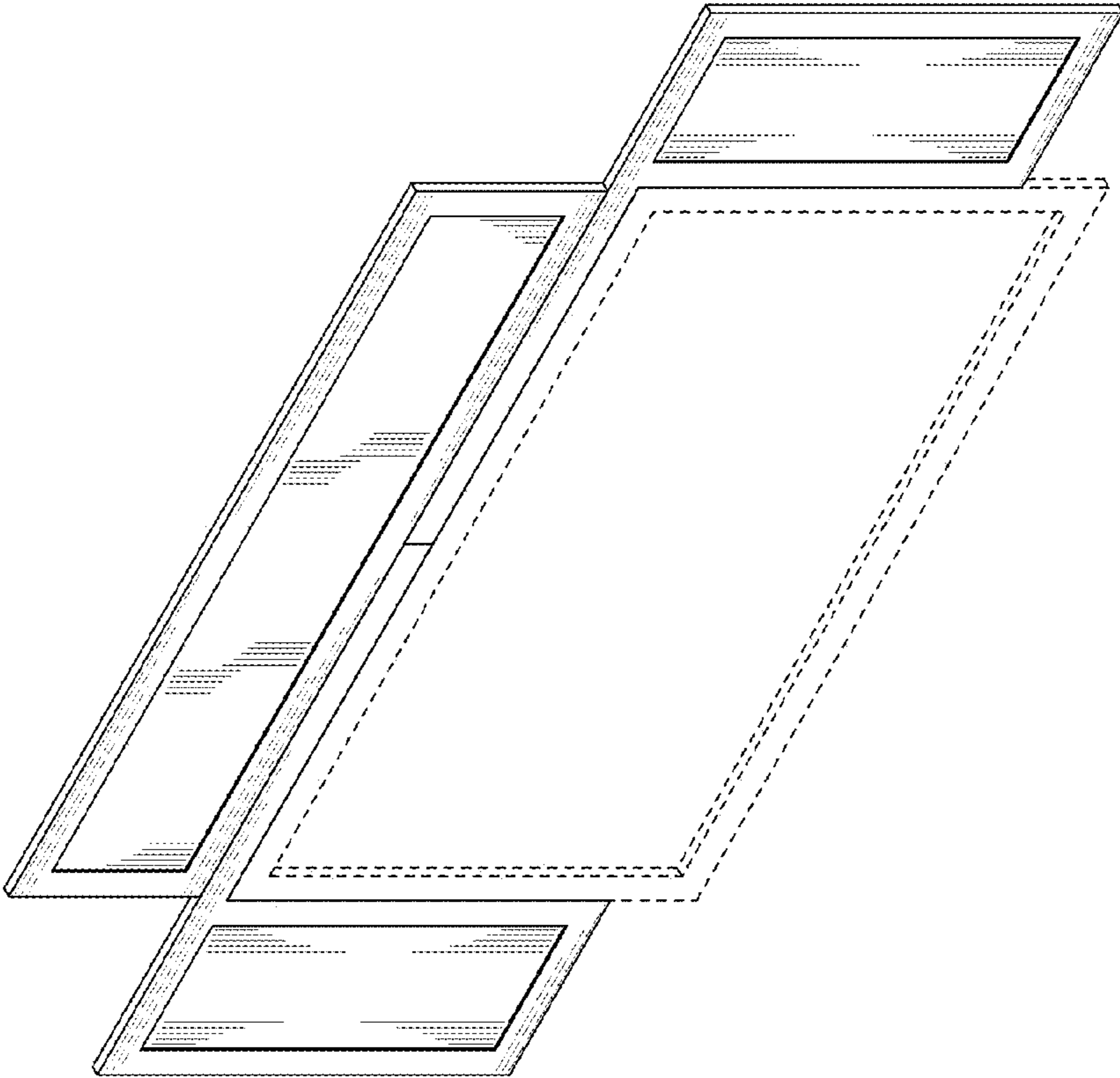


FIG. 7

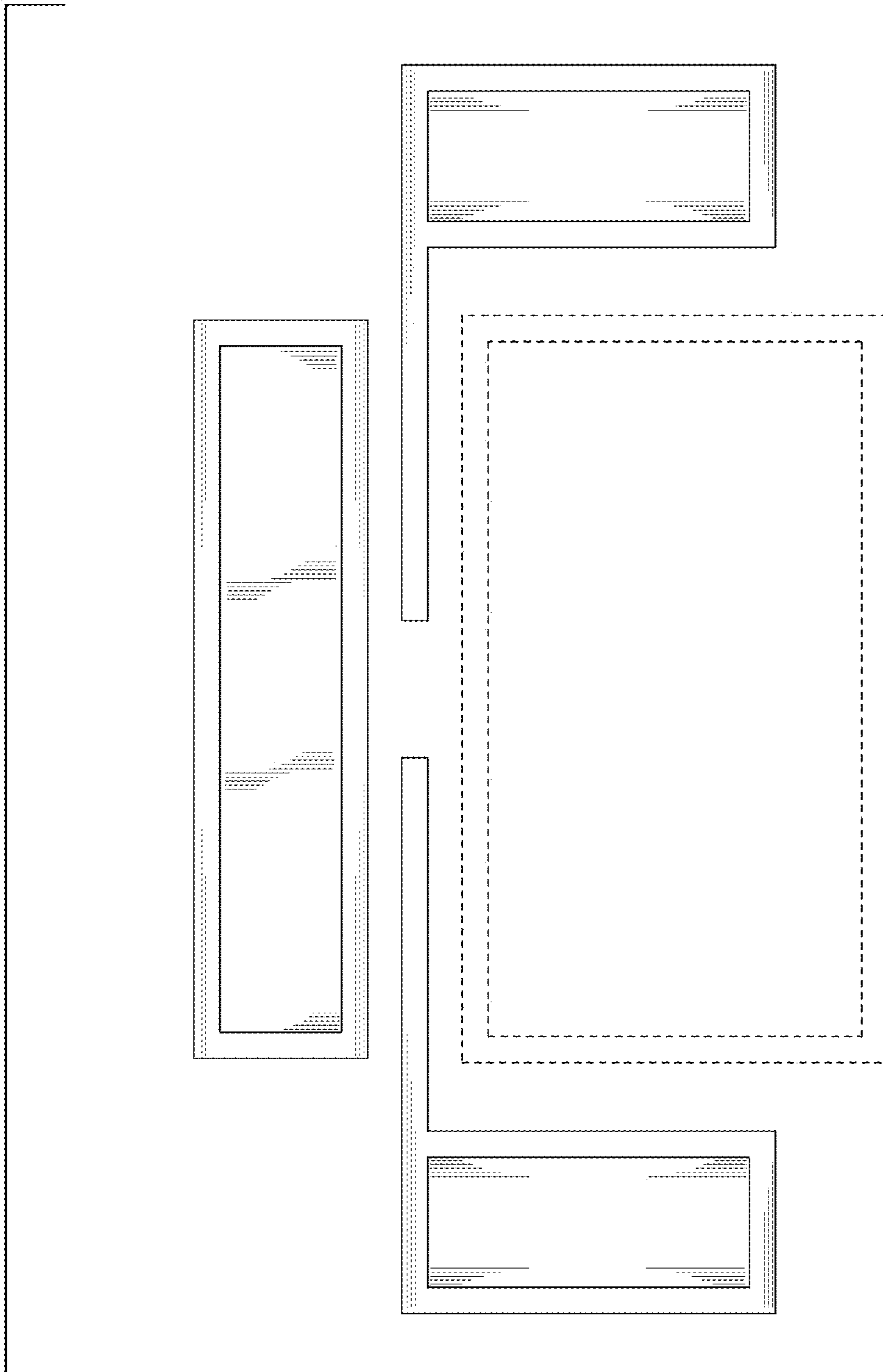


FIG. 8

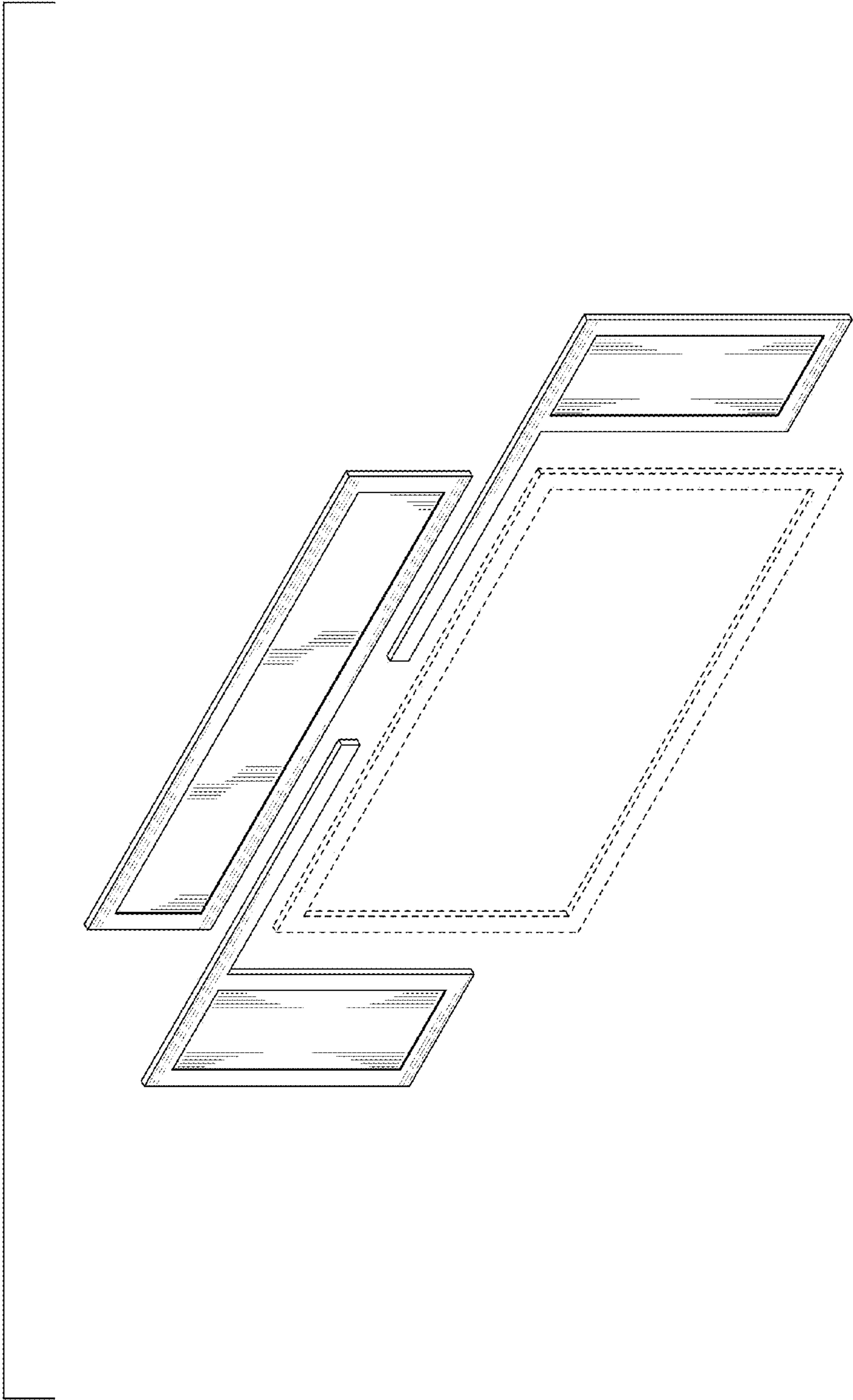


FIG. 9

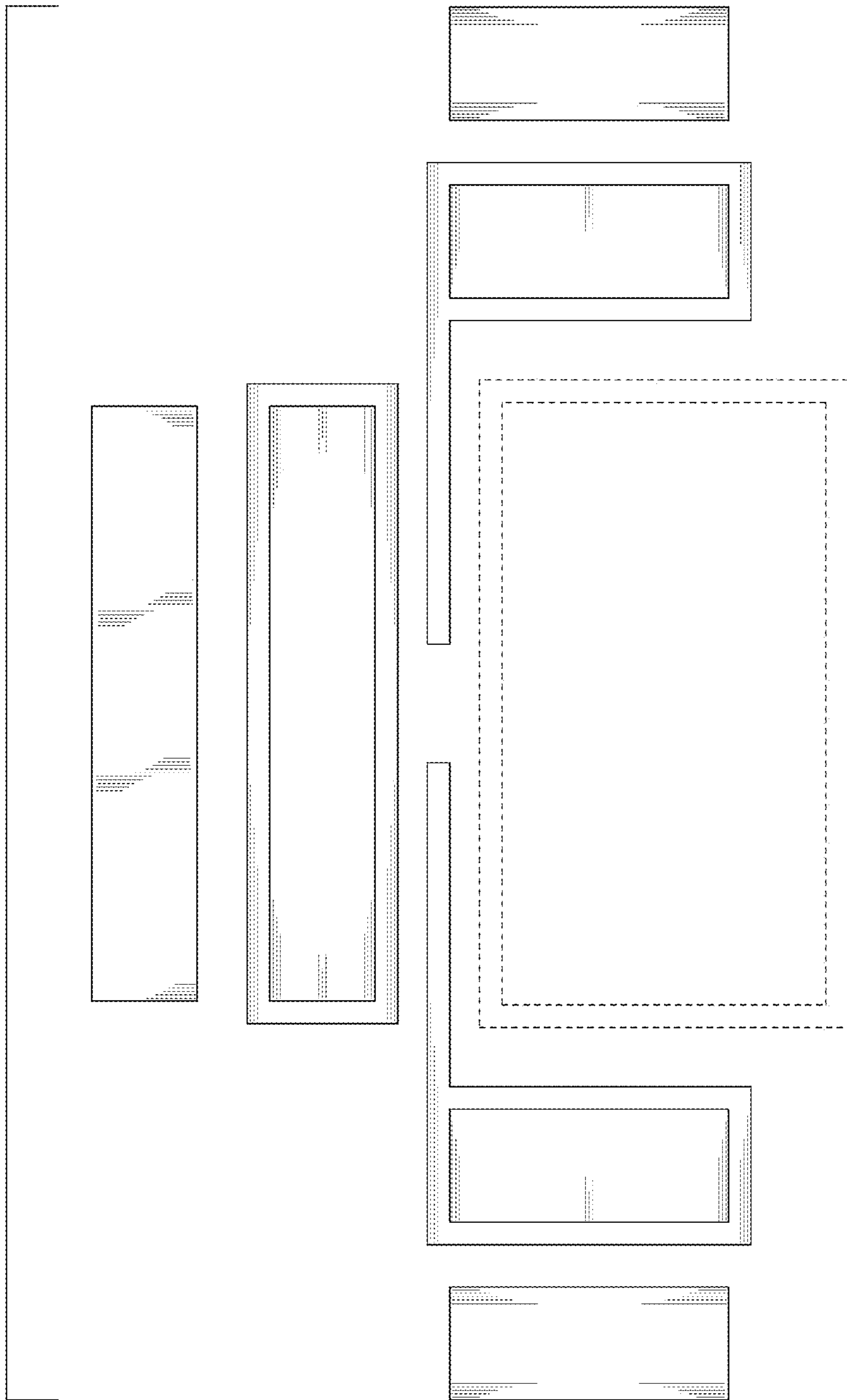


FIG. 10

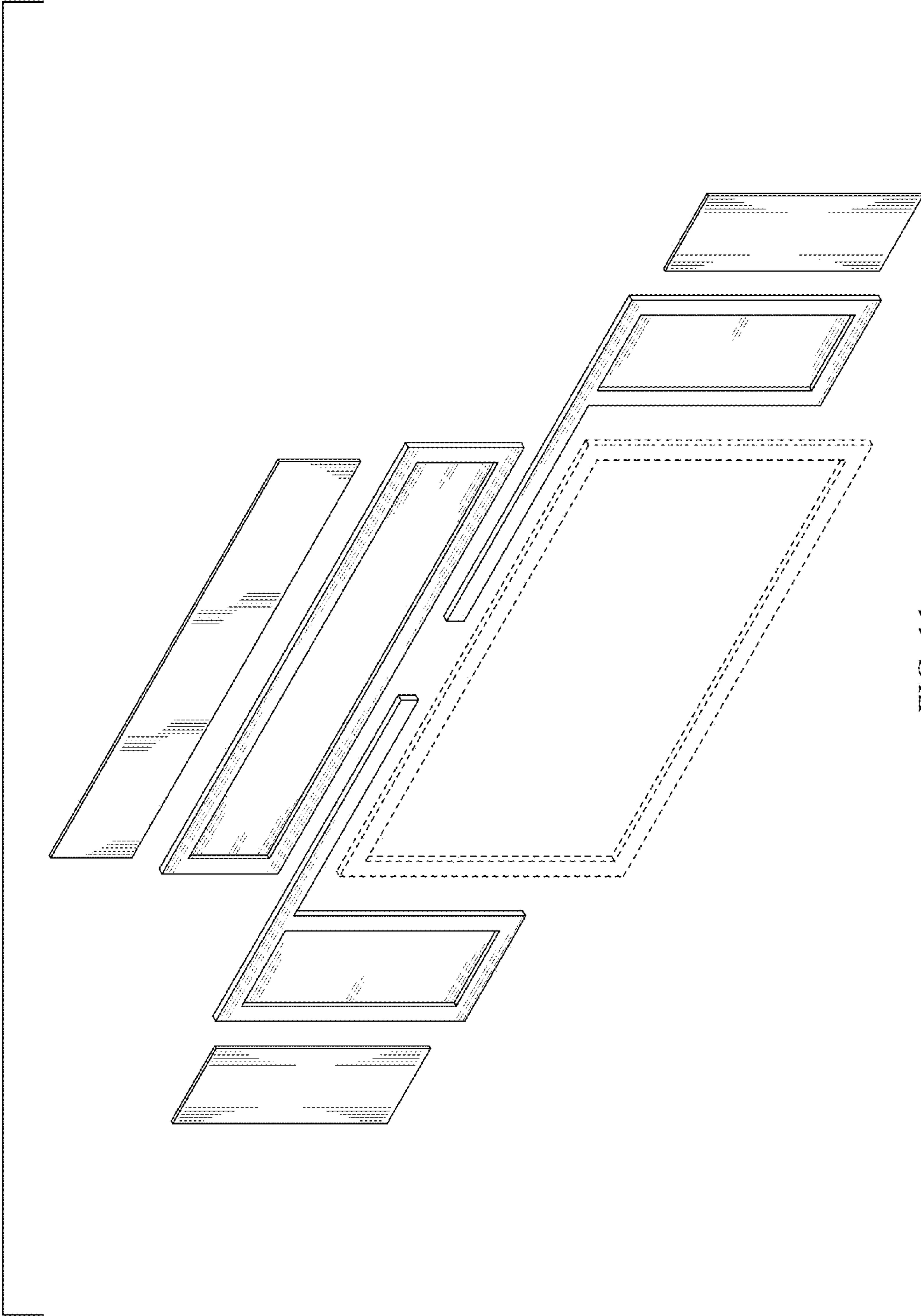


FIG. 11