



US00D753126S

(12) **United States Design Patent**
Alesi et al.

(10) **Patent No.:** **US D753,126 S**
(45) **Date of Patent:** **** Apr. 5, 2016**

(54) **TABLET HOLDER**

(71) Applicant: **Custom Accessories Inc.**, Richmond, IL (US)

(72) Inventors: **Vincent Anthony Alesi**, Richmond, IL (US); **Anthony Salvatore Ferenzi**, Richmond, IL (US)

(73) Assignee: **Custom Accessories Inc.**, Richmond, IL (US)

(**) Term: **14 Years**

(21) Appl. No.: **29/516,858**

(22) Filed: **Feb. 6, 2015**

(51) **LOC (10) Cl.** **08-07**

(52) **U.S. Cl.**
USPC **D14/447**

(58) **Field of Classification Search**
USPC D14/447, 432, 434, 439, 440, 451, 452, D14/457, 250, 251, 253; D3/218; D6/406.3, D6/406.4, 406.5, 406.6
CPC A45C 2011/003; A45C 2011/002; A45C 13/002; A47B 2023/049; A47B 2097/005; A47B 2097/006; A47B 21/04; A47B 23/00; A47B 23/043; A47B 2021/0307; A47B 2023/005; F16M 2200/00; H04B 1/3888; H04M 1/04; H04M 1/185
See application file for complete search history.

(56) **References Cited**

U.S. PATENT DOCUMENTS

| | | | | |
|--------------|--------|----------|-------|---------|
| D630,222 S * | 1/2011 | Lin | | D14/447 |
| D654,120 S * | 2/2012 | Lin | | D14/434 |
| D684,979 S * | 6/2013 | Chun | | D14/447 |
| D684,980 S * | 6/2013 | Chun | | D14/447 |
| D685,804 S * | 7/2013 | Richter | | D14/253 |
| D689,057 S * | 9/2013 | Waterman | | D14/447 |

(Continued)

Primary Examiner — Angela J Lee

(74) *Attorney, Agent, or Firm* — Leydig, Voit & Mayer, Ltd.

(57) **CLAIM**

The ornamental design for a tablet holder, as shown and described.

DESCRIPTION

FIG. 1 is a perspective view taken from the front, top, and left side of a tablet holder in accordance with my new design in a first configuration mounted to a stand.

FIG. 2 is a perspective view taken from the rear and left side of the tablet holder of FIG. 1 in the first configuration mounted to the stand.

FIG. 3 is a perspective view taken from the front and left side of the tablet holder of FIG. 1 in a second configuration.

FIG. 4 is a perspective view taken from the front and left side of the tablet holder of FIG. 1 in the first configuration.

FIG. 5 is a perspective view taken from the rear and right side of the tablet holder of FIG. 1 in the second configuration.

FIG. 6 is a perspective view taken from the rear and right side of the tablet holder of FIG. 1 in the first configuration.

FIG. 7 is a front view of the tablet holder of FIG. 1 in the first configuration.

FIG. 8 is a rear view of the tablet holder of FIG. 1 in the first configuration.

FIG. 9 is a left side elevational view of the tablet holder of FIG. 1 in the first configuration.

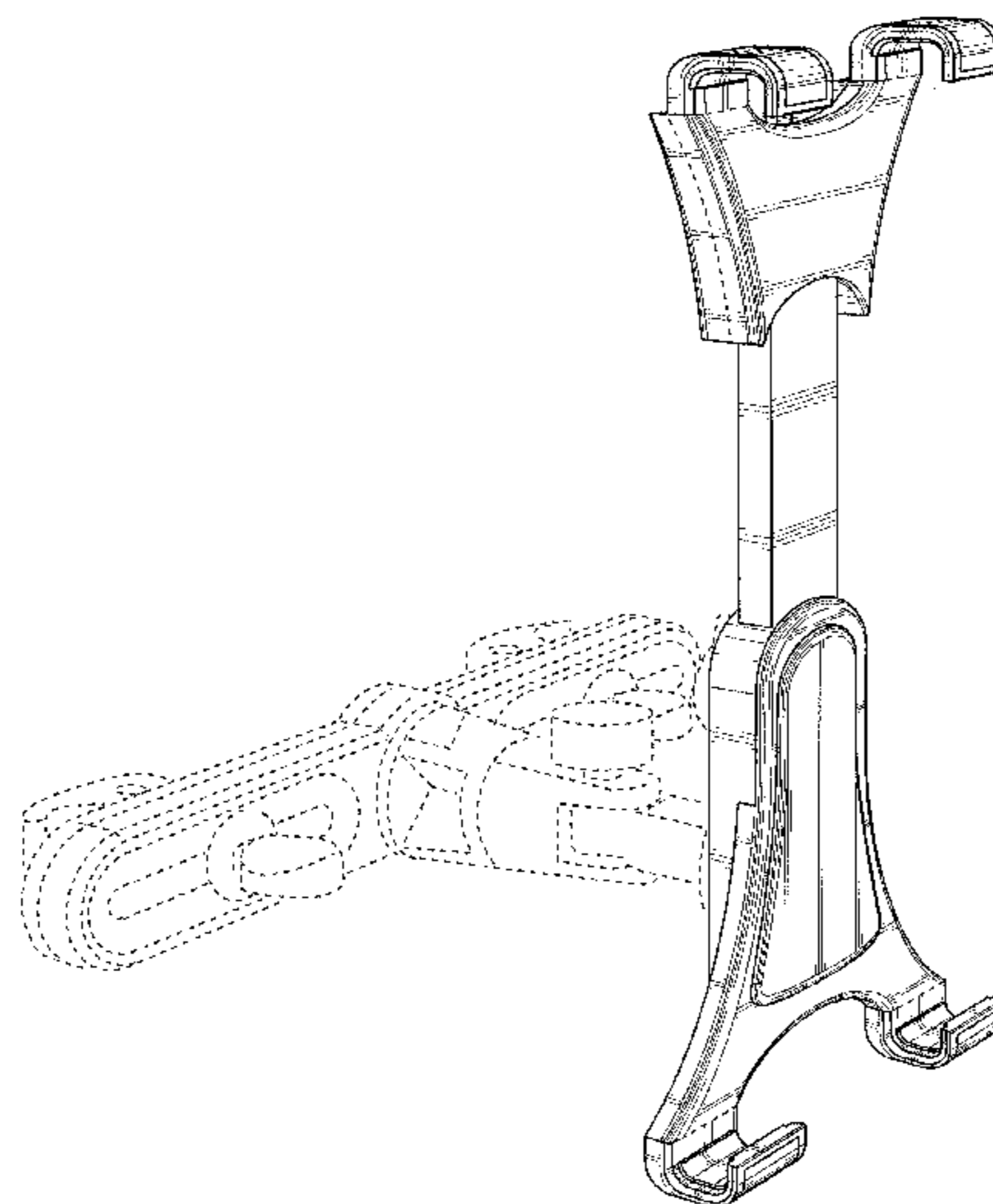
FIG. 10 is a right side elevational view of the tablet holder of FIG. 1 in the first configuration.

FIG. 11 is a bottom view of the tablet holder of FIG. 1 in the first configuration; and,

FIG. 12 is a top view of the tablet holder of FIG. 1 in the first configuration.

The broken lines shown represent unclaimed subject matter and form no part of the claimed design.

1 Claim, 10 Drawing Sheets



US D753,126 S

Page 2

(56)

References Cited

U.S. PATENT DOCUMENTS

D692,436 S * 10/2013 Hung D14/447
D697,515 S * 1/2014 Adelman D14/447
D708,603 S * 7/2014 Kim D14/253

D709,896 S * 7/2014 McKinstry D14/447
D717,307 S * 11/2014 Chun D14/447
D723,042 S * 2/2015 Lee D14/447
2005/0236536 A1* 10/2005 Fan B60R 11/02
248/176.3

* cited by examiner

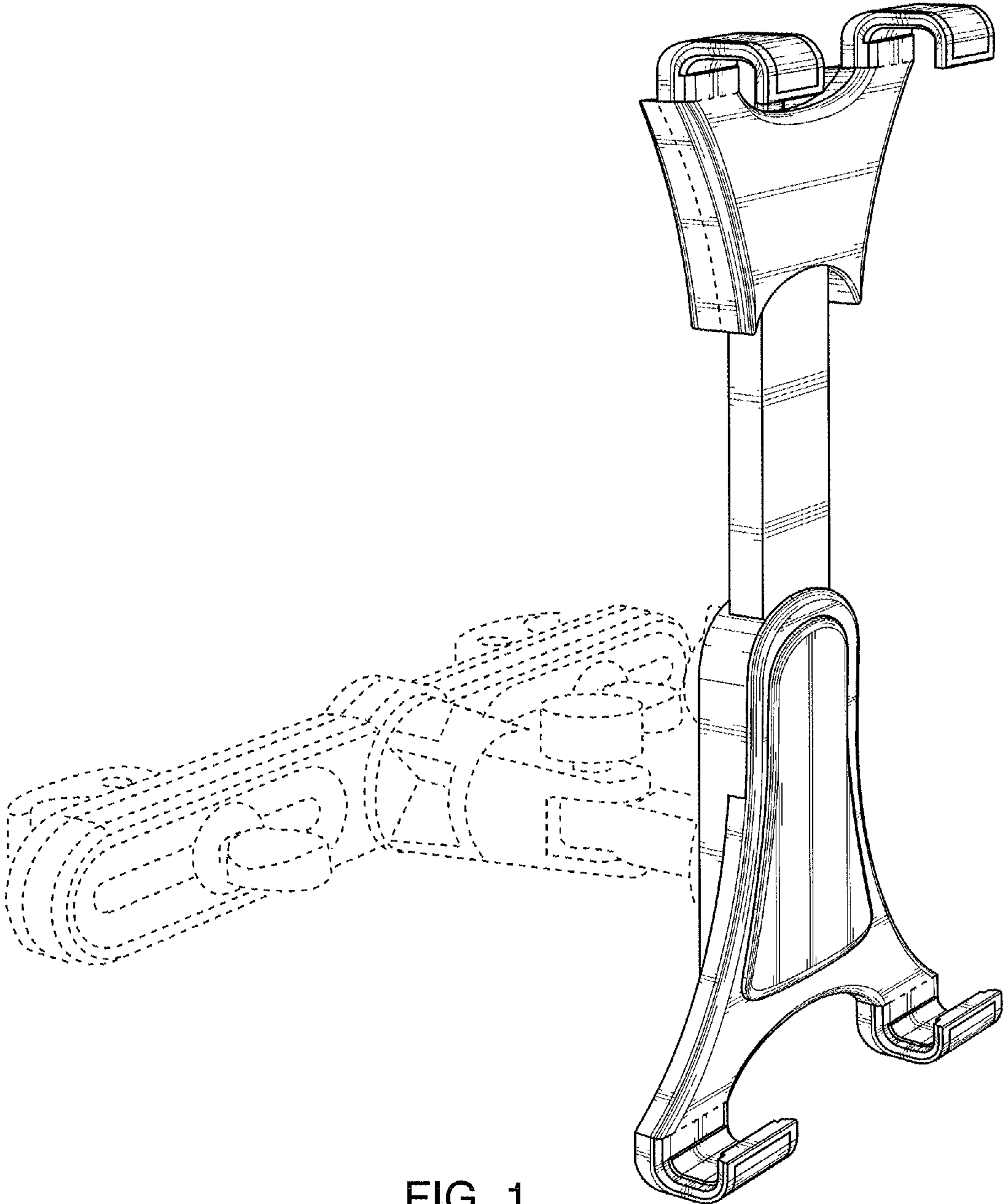


FIG. 1

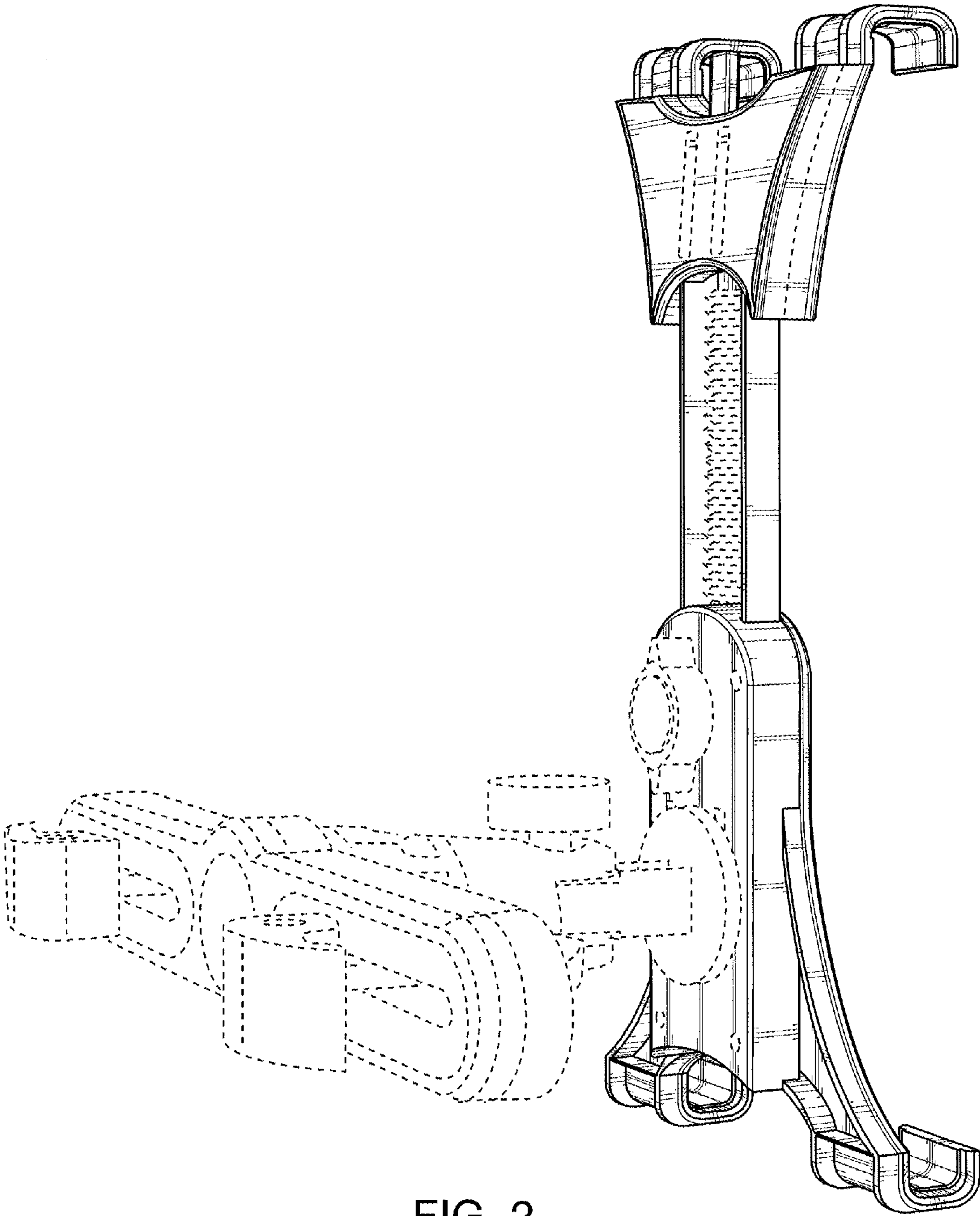


FIG. 2

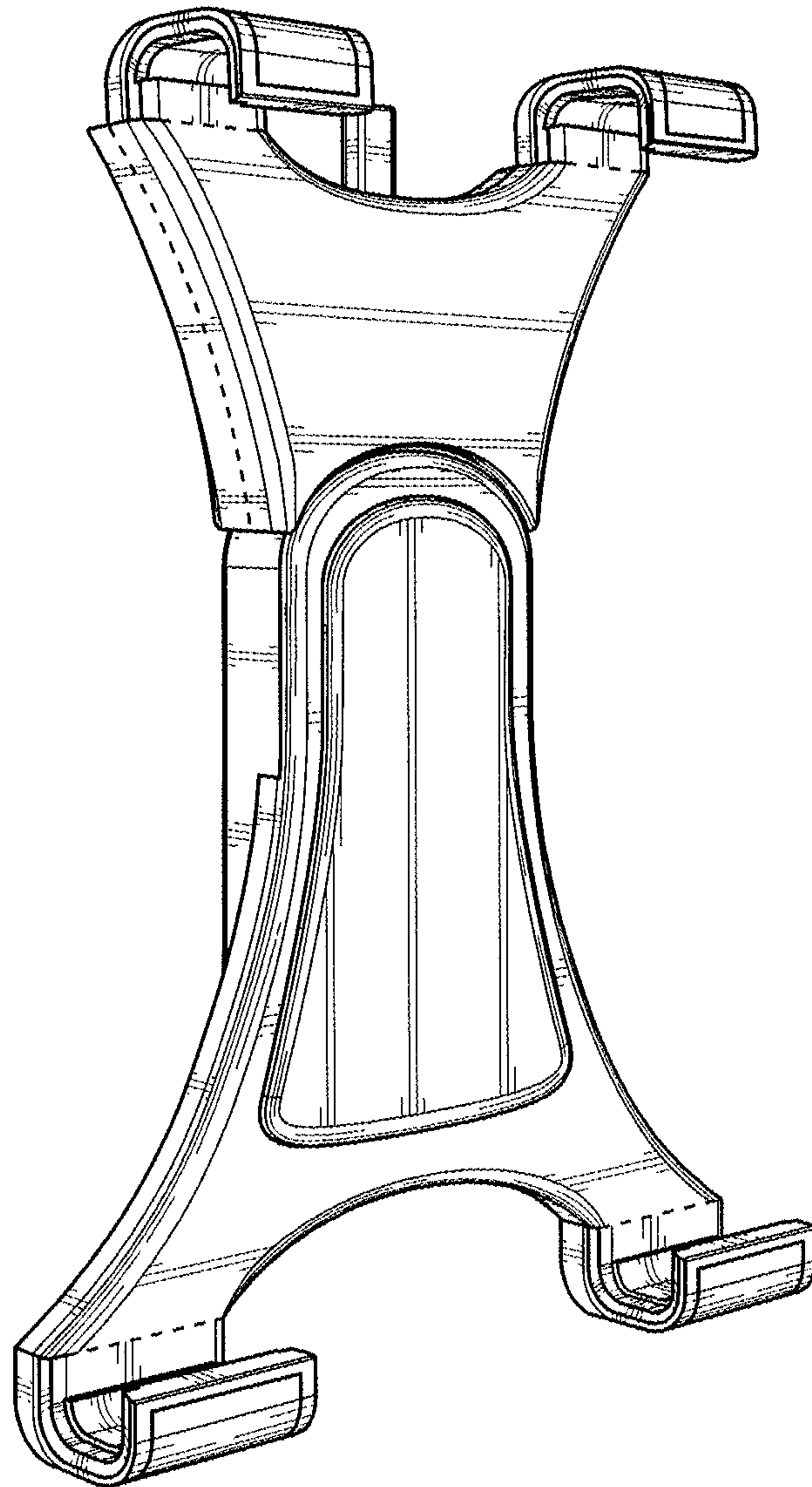


FIG. 3

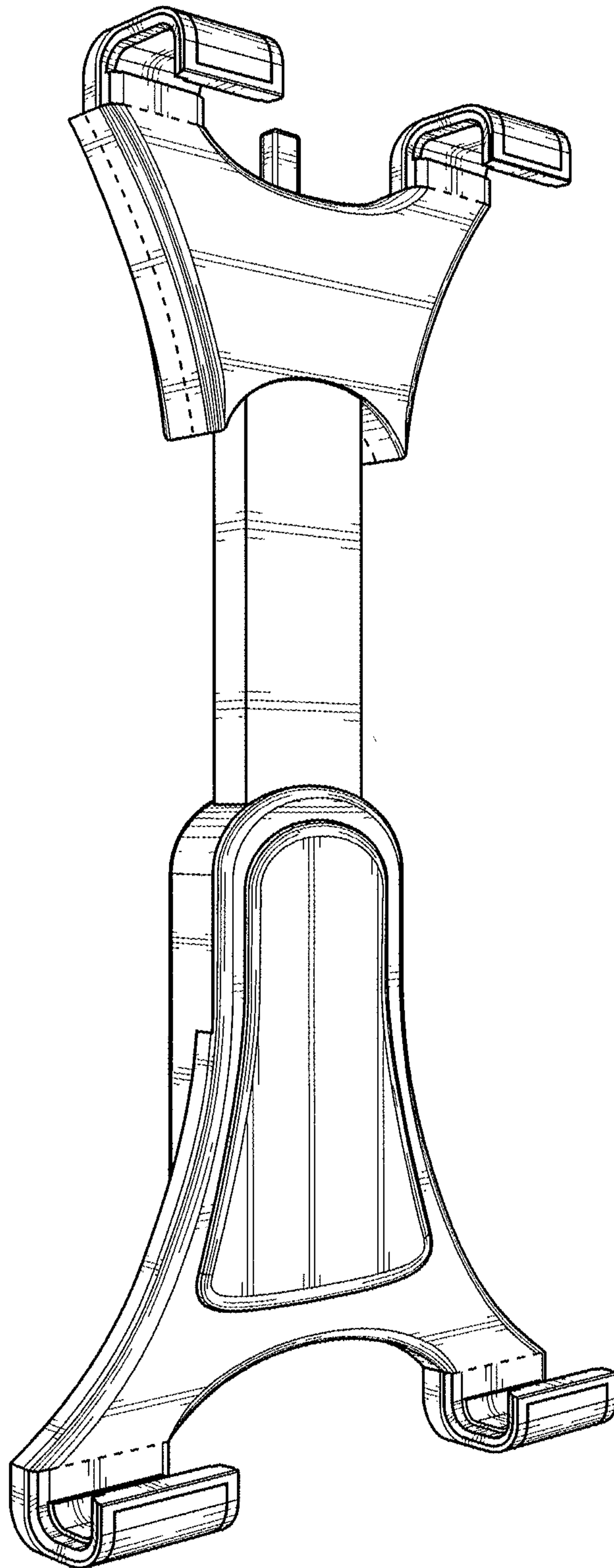


FIG. 4

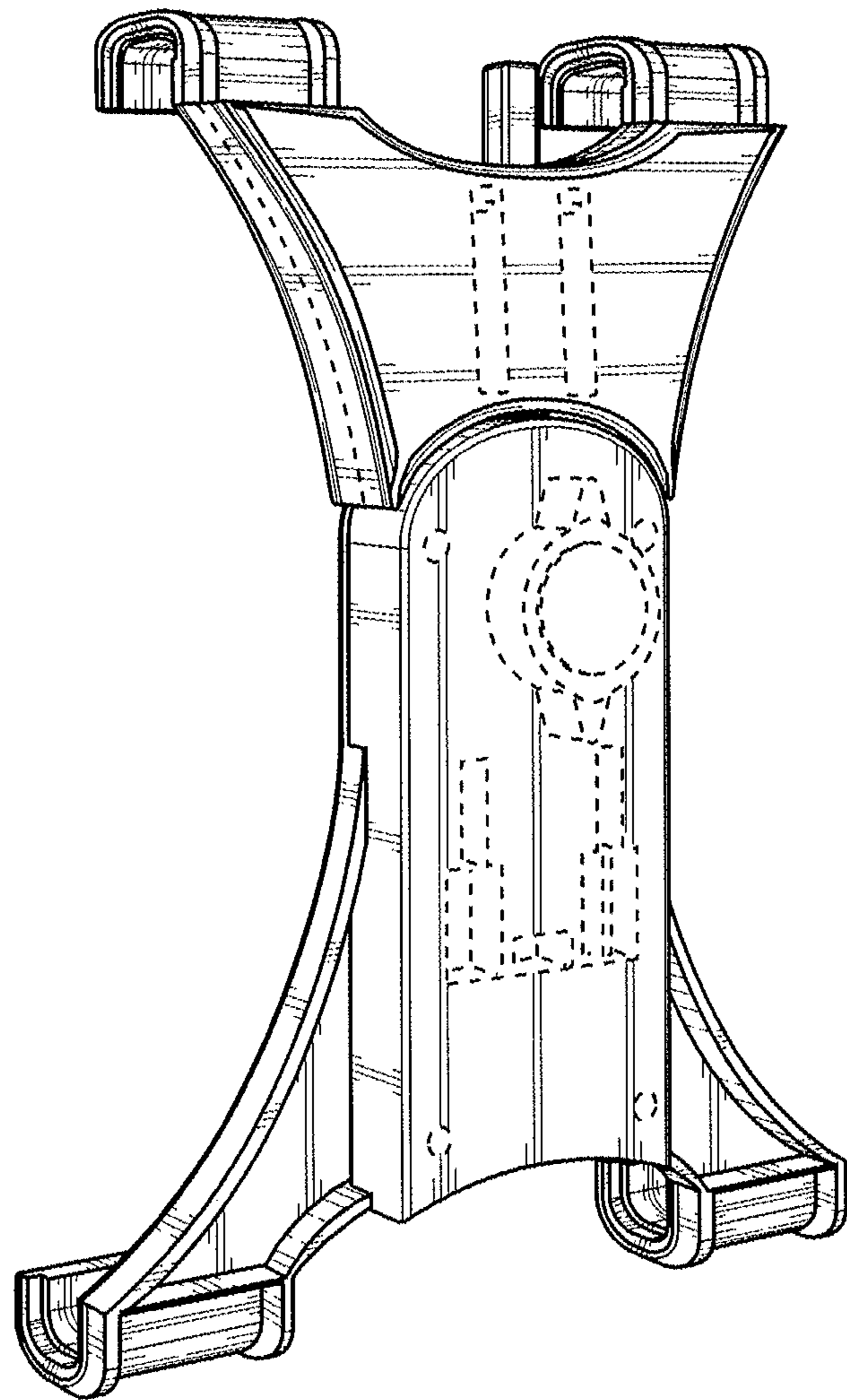


FIG. 5

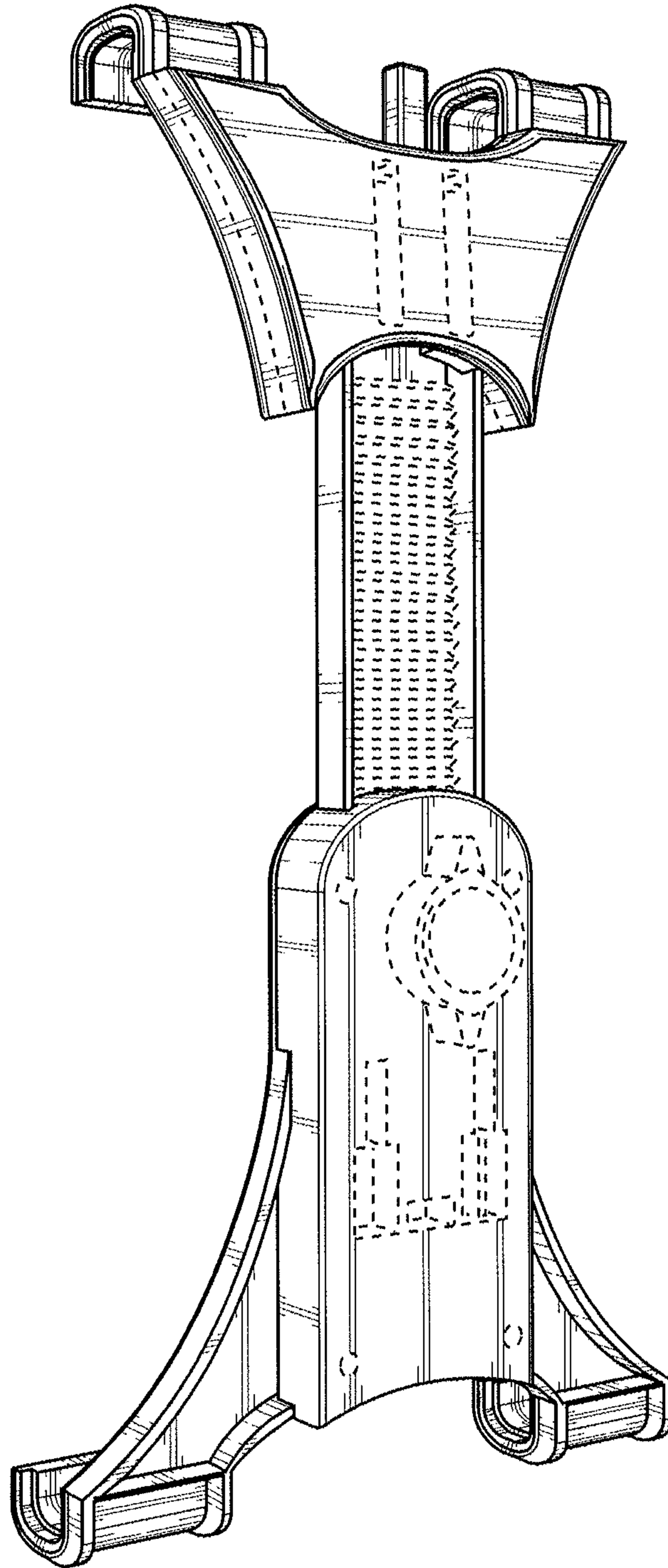


FIG. 6

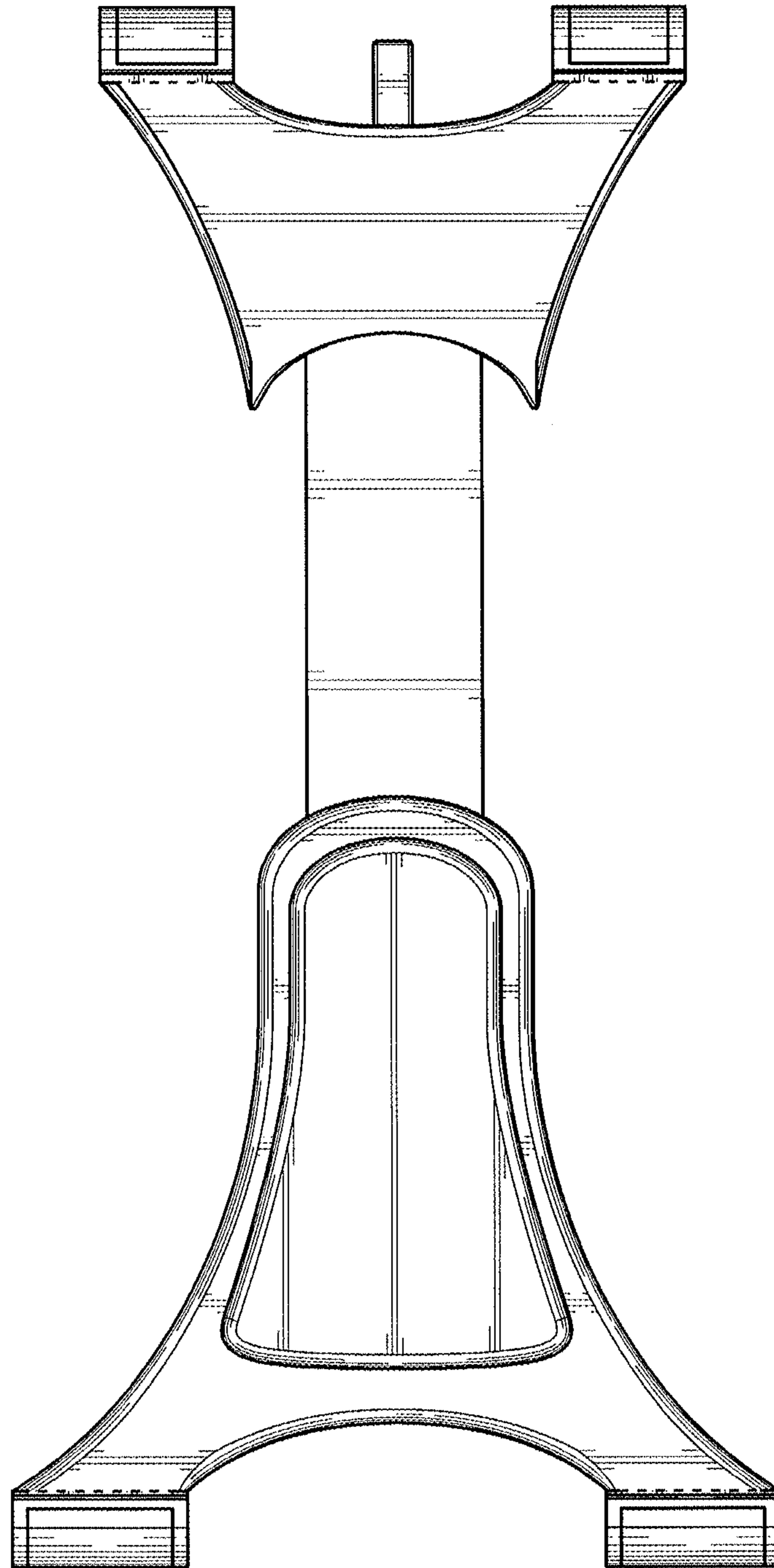


FIG. 7

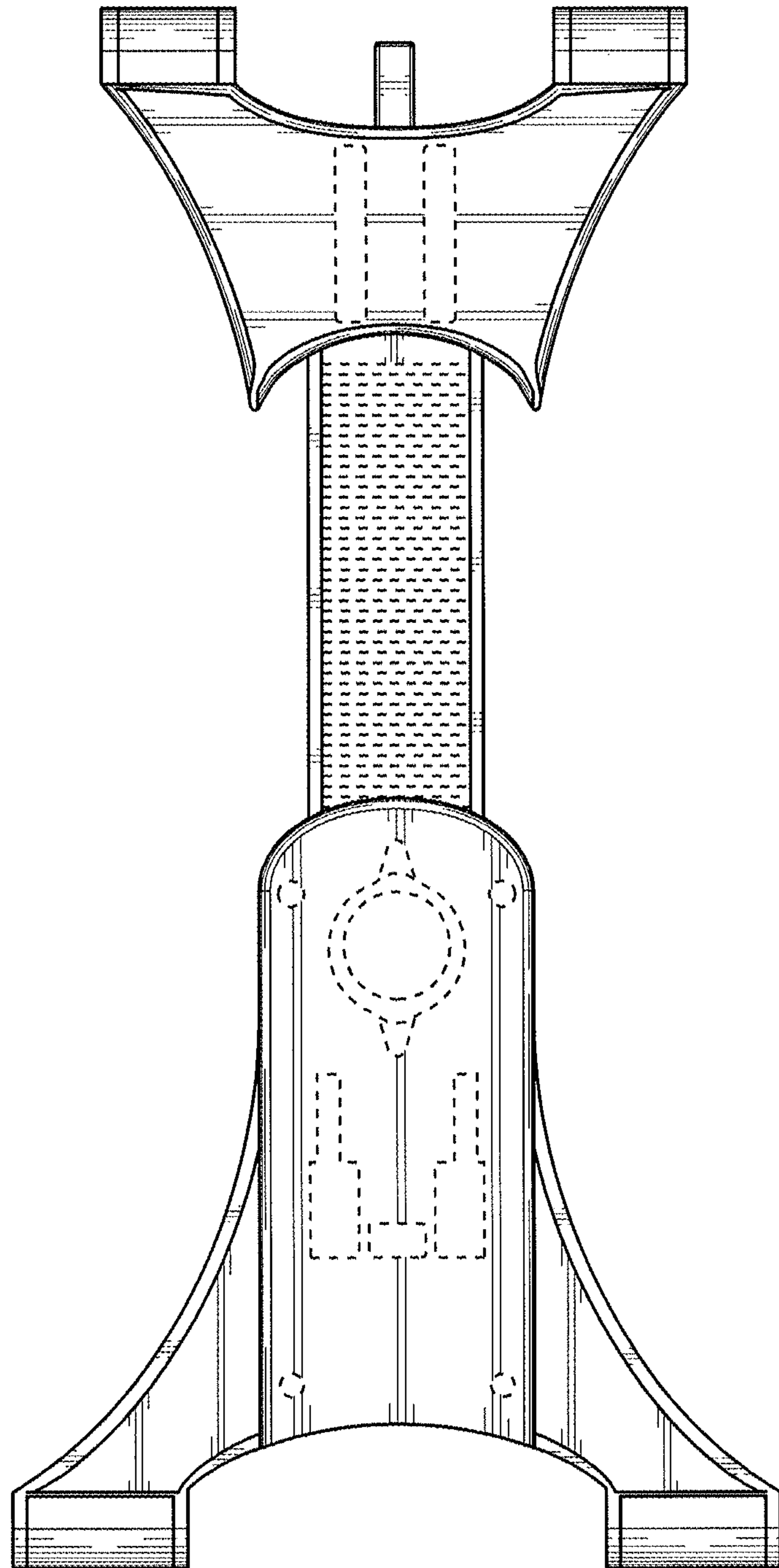


FIG. 8

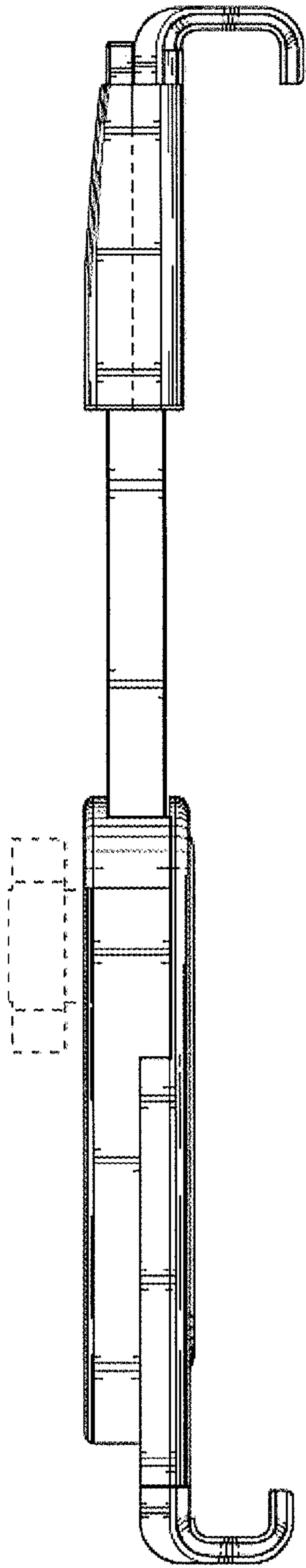


FIG. 9

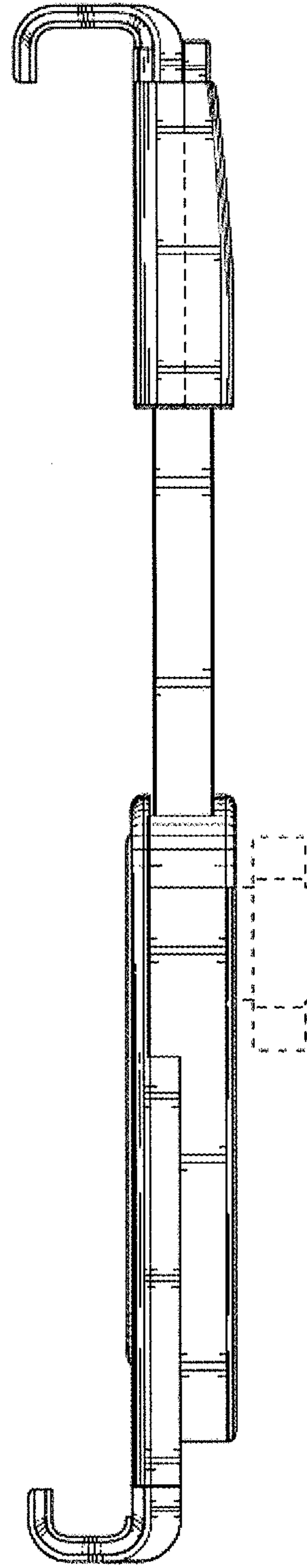


FIG. 10

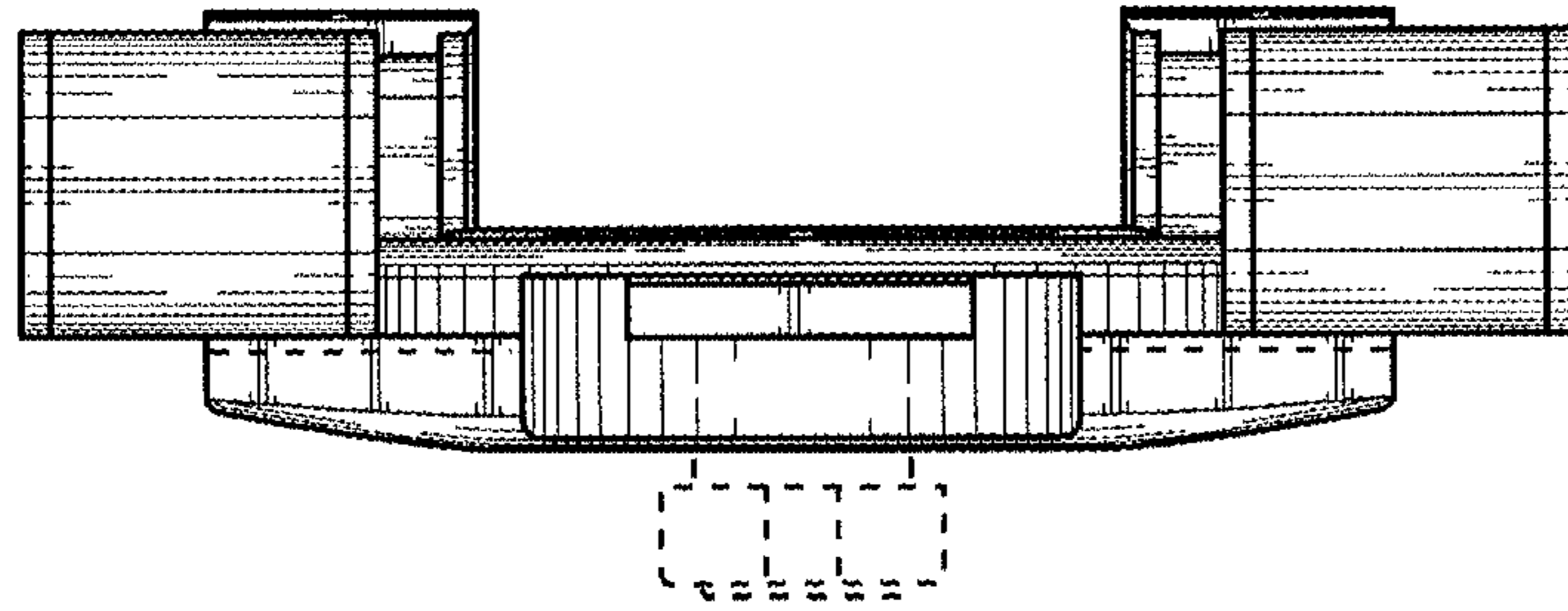


FIG. 11

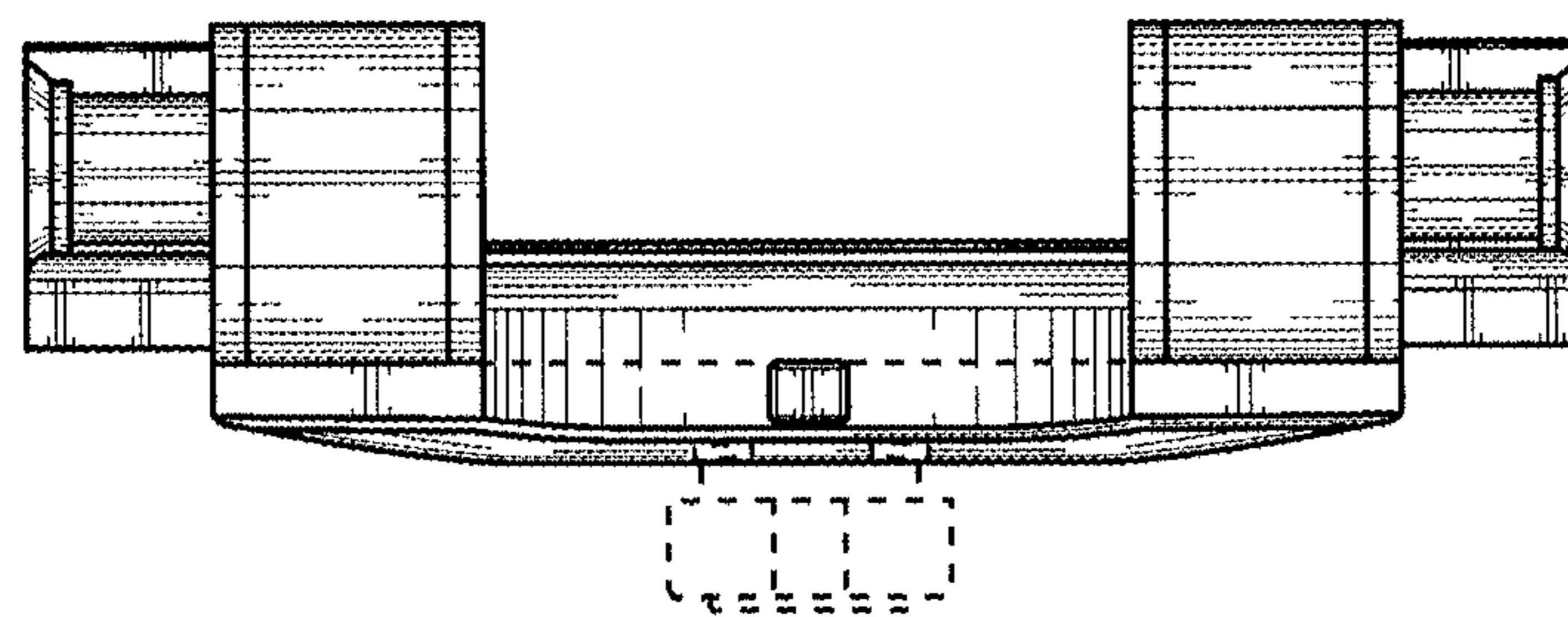


FIG. 12