



US00D753125S

(12) **United States Design Patent**
Hsu et al.

(10) **Patent No.:** **US D753,125 S**
(45) **Date of Patent:** **** Apr. 5, 2016**

(54) **PROTECTIVE FOLIO WITH KEYBOARD FOR MULTIPLE TYPES OF INPUT DEVICES**

(71) Applicant: **Logitech Europe S.A.**, Lausanne (CH)

(72) Inventors: **Eric Hsu**, Zhubei (TW); **Malachy Spollen**, Lausanne (CH)

(73) Assignee: **Logitech Europe S.A.**, Lausanne (CH)

(**) Term: **14 Years**

(21) Appl. No.: **29/519,421**

(22) Filed: **Mar. 4, 2015**

Related U.S. Application Data

(63) Continuation of application No. 29/506,909, filed on Oct. 21, 2014.

(51) **LOC (10) CL.** **14-02**

(52) **U.S. Cl.**
USPC **D14/440**

(58) **Field of Classification Search**
USPC D14/250, 251, 253, 240, 217, 496, 440, D14/203.3, 203.4, 203.5, 203.8, 341, 318; D3/218, 215, 201, 294, 289, 900
CPC ... G06F 1/1601; G06F 1/1626; G06F 1/1633; G06F 1/1675; G06F 1/1679; G02F 1/1306; G02F 1/133; G02F 1/133308; G02F 1/153; G02F 1/1533; G02F 2001/133317; H04B 1/3888

See application file for complete search history.

(56) **References Cited**

U.S. PATENT DOCUMENTS

D665,812 S * 8/2012 Huang D14/447
D678,272 S * 3/2013 Groene D14/341
D690,305 S * 9/2013 Wen D14/440
D690,702 S * 10/2013 Chung D14/440
D691,142 S * 10/2013 Diebel D14/440
D693,823 S * 11/2013 Chen D14/440
D695,296 S * 12/2013 Hsu D14/440

D696,253 S * 12/2013 Akana D14/345
D696,256 S * 12/2013 Piedra D14/440
D696,669 S * 12/2013 Akana D14/440
8,640,864 B2 * 2/2014 Chen G06F 1/1626
206/320
8,644,893 B2 * 2/2014 Liang G06F 1/1628
206/45.2
8,657,112 B2 * 2/2014 Igarashi H05K 5/03
206/320
D701,205 S * 3/2014 Akana D14/341
D702,673 S * 4/2014 Murchison D14/250
D704,689 S * 5/2014 Chang D14/250
D704,693 S * 5/2014 Kim D14/250
D706,270 S * 6/2014 Akana D14/440
D706,783 S * 6/2014 Almodova D14/440
D707,229 S * 6/2014 Almodova D14/440
8,757,375 B2 * 6/2014 Huang A47B 23/043
206/320
D708,838 S * 7/2014 Lee D14/440

(Continued)

Primary Examiner — Cynthia Underwood

(74) *Attorney, Agent, or Firm* — Kilpatrick Townsend & Stockton LLP

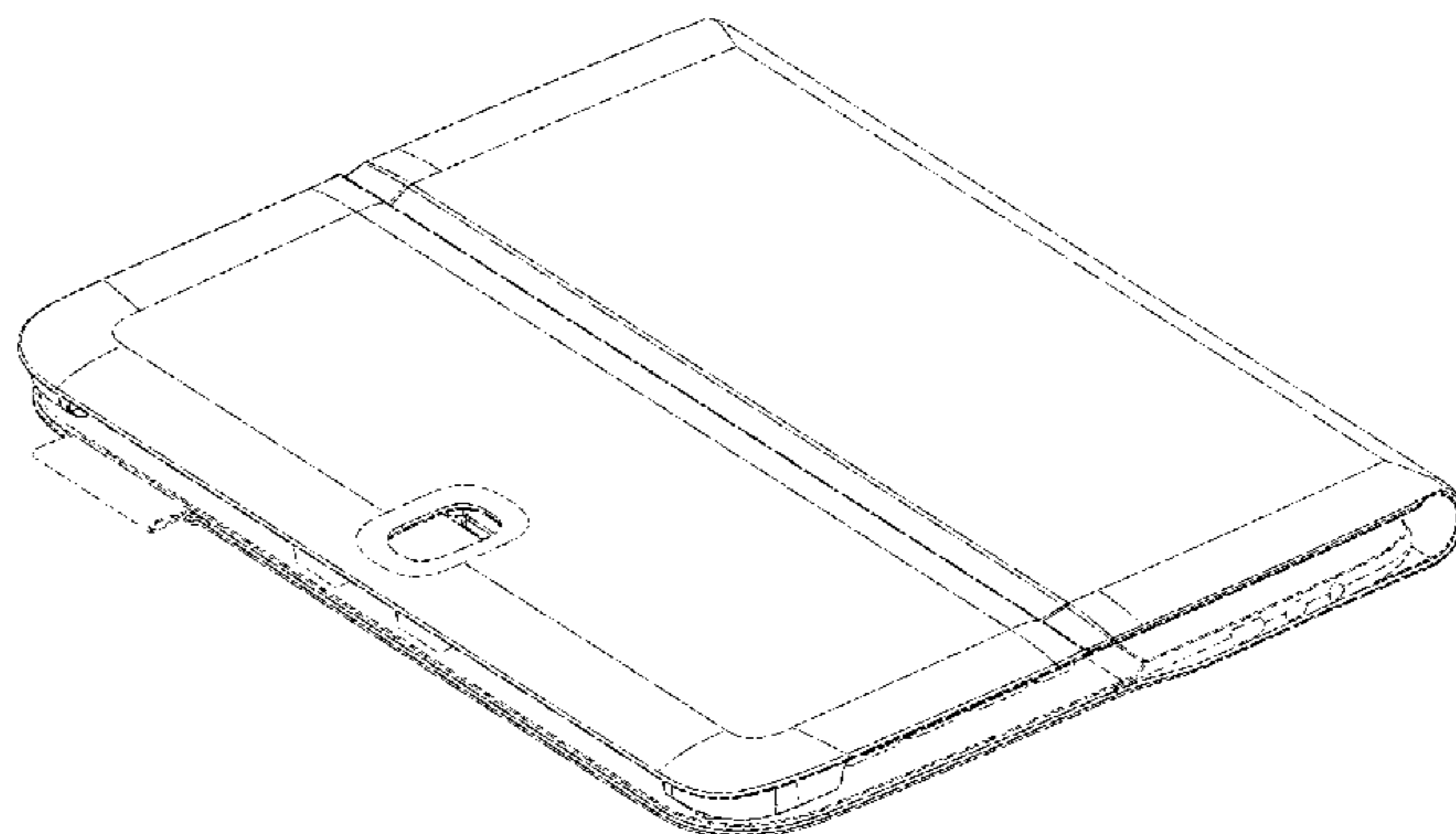
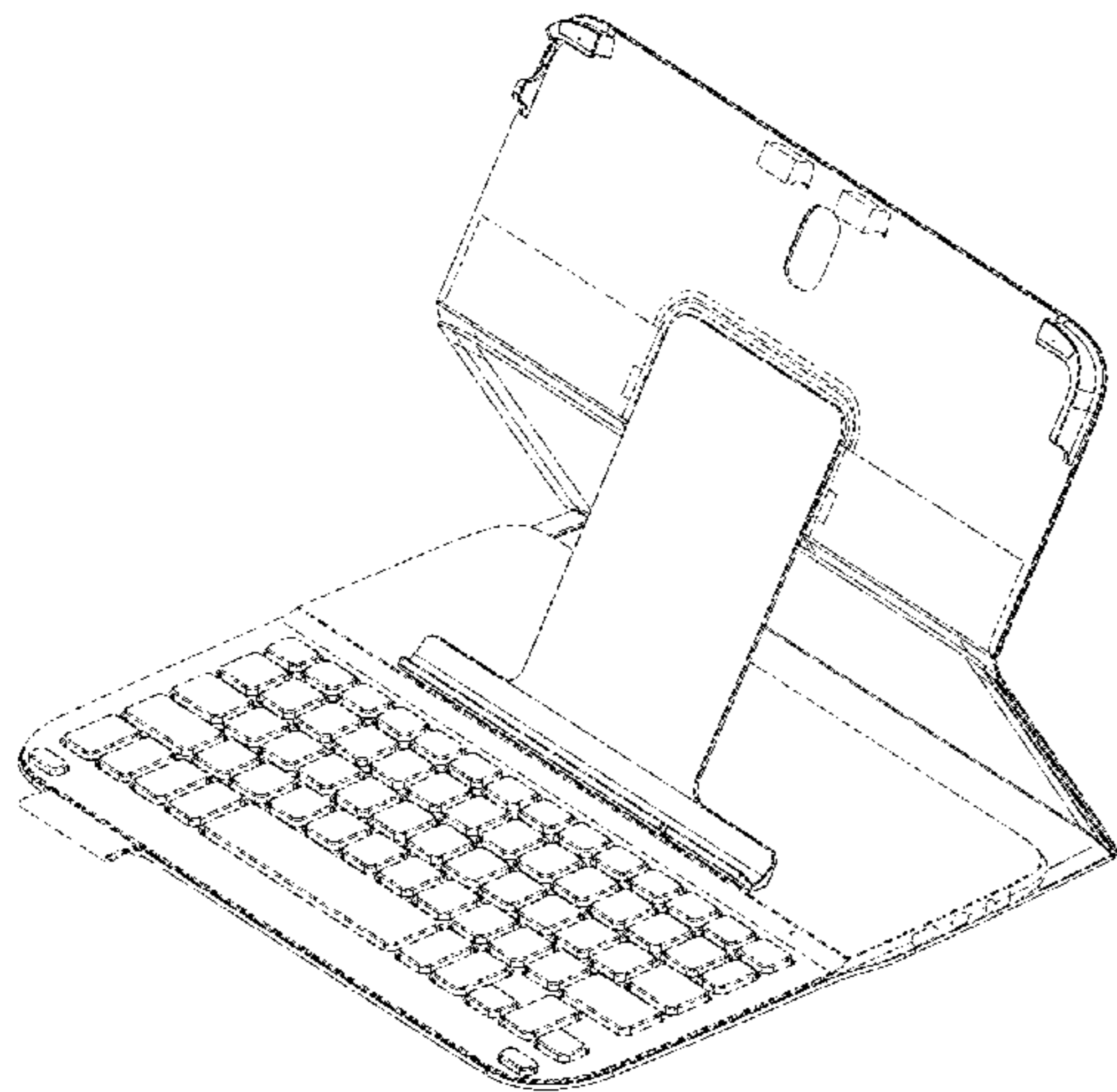
(57) **CLAIM**

The ornamental design for a protective folio with keyboard for multiple types of input devices, as shown and described.

DESCRIPTION

FIG. 1 is a perspective view of our protective folio with keyboard for multiple types of input devices showing our new design in an open configuration; FIG. 2 is a top plan view thereof; FIG. 3 is a bottom plan view thereof; FIG. 4 is a rear elevational view thereof; FIG. 5 is a front elevational view thereof; FIG. 6 is a left side elevational view thereof; FIG. 7 is a right side elevational view thereof; and, FIG. 8 is a perspective view showing our new design in a closed configuration. The broken lines represent environment and form no part of the claim.

1 Claim, 8 Drawing Sheets



(56)

References Cited

U.S. PATENT DOCUMENTS

8,763,795	B1 *	7/2014	Oten	A45C 11/00 206/320	2008/0302687	A1 *	12/2008	Sirichai	A45F 5/02 206/320
8,766,921	B2 *	7/2014	Ballagas	G06F 1/1626 345/168	2009/0017883	A1 *	1/2009	Lin	A45C 11/00 455/575.8
8,773,353	B2 *	7/2014	Wei	G06F 1/1662 345/156	2009/0159763	A1 *	6/2009	Kim	F16M 13/00 248/174
8,783,458	B2 *	7/2014	Gallagher	F16M 11/105 206/320	2010/0294909	A1 *	11/2010	Hauser	B42D 9/00 248/456
8,797,132	B2 *	8/2014	Childs	A45C 11/00 206/320	2011/0266194	A1 *	11/2011	Bau	A45C 11/00 206/736
D722,059	S *	2/2015	Hirst	D14/440	2011/0290687	A1 *	12/2011	Han	A45C 3/02 206/320
D723,040	S *	2/2015	Kang	D14/440	2012/0170212	A1 *	7/2012	Gallouzi	F16M 11/041 361/679.56
D724,090	S *	3/2015	Kim	D14/440	2012/0211377	A1 *	8/2012	Sajid	G06F 1/1628 206/216
D727,919	S *	4/2015	Melmon	D14/440	2012/0211613	A1 *	8/2012	Yang	A45C 11/00 248/174
D729,253	S *	5/2015	Nyholm	D14/440	2012/0305413	A1 *	12/2012	Chung	A45C 11/00 206/45.23
D730,913	S *	6/2015	Shao	D14/440	2012/0308981	A1 *	12/2012	Libin	G09B 3/00 434/362
D733,150	S *	6/2015	Sirichai	D14/440	2013/0015088	A1 *	1/2013	Wu	A45C 11/00 206/320
D733,151	S *	6/2015	Brierley	D14/440	2013/0020216	A1 *	1/2013	Chiou	G06F 1/1626 206/320
D733,152	S *	6/2015	Sirichai	D14/440	2013/0213838	A1 *	8/2013	Tsai	G06F 1/1633 206/320
D733,154	S *	6/2015	Armstrong	D14/440	2013/0214661	A1 *	8/2013	McBroom	G06F 1/1667 312/325
D734,340	S *	7/2015	Kim	D14/440						
D737,276	S *	8/2015	Armstrong	D14/440						
9,095,194	B2 *	8/2015	Hassett	A45C 11/00						
D737,827	S *	9/2015	Tseng	D14/440						
D742,888	S *	11/2015	Mecchella	D14/440						
D742,889	S *	11/2015	Mecchella	D14/440						
D742,890	S *	11/2015	Mecchella	D14/440						
2003/0034263	A1 *	2/2003	D'Hoste	A45C 9/00 206/320						

* cited by examiner

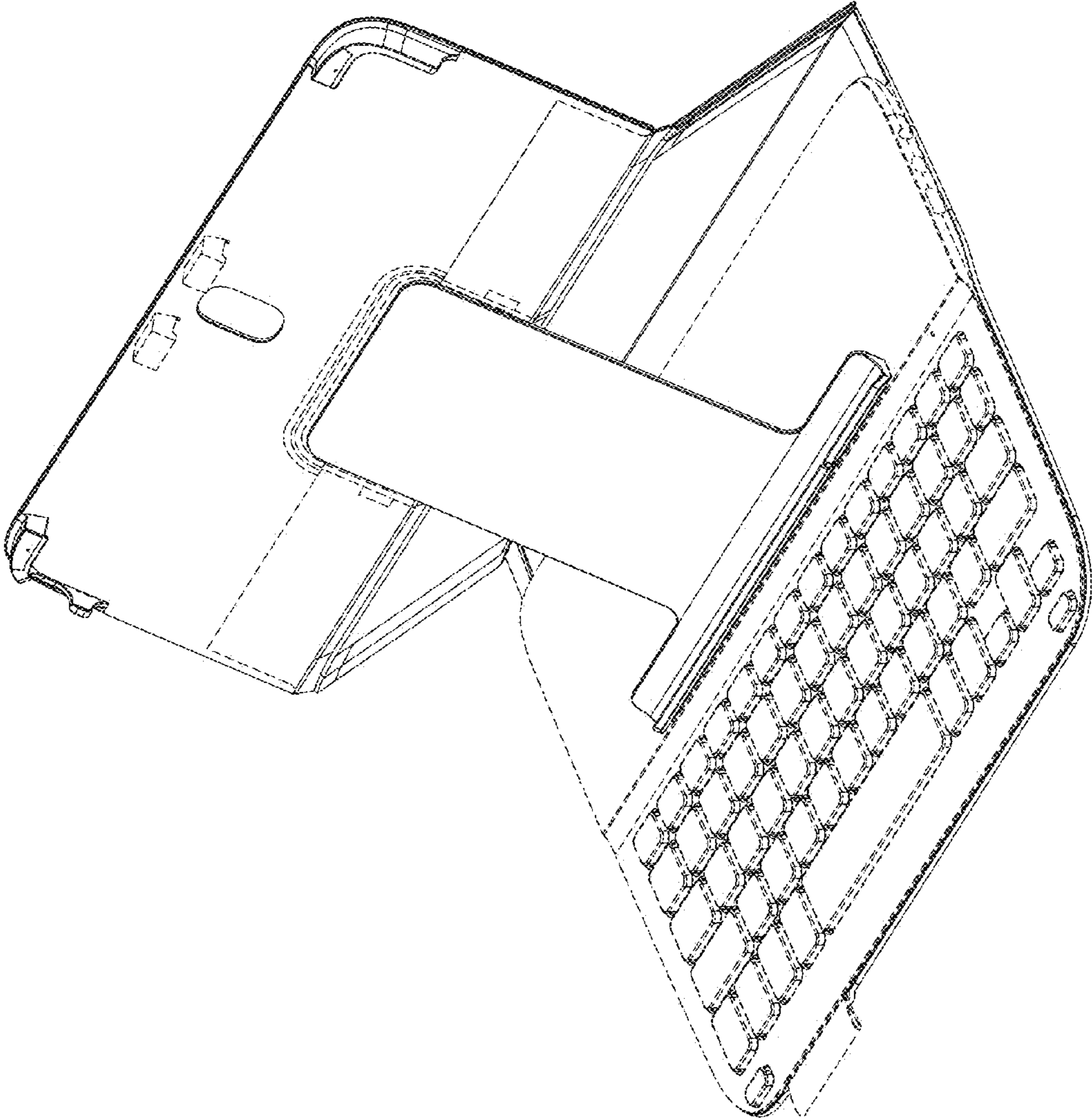


FIG. 1

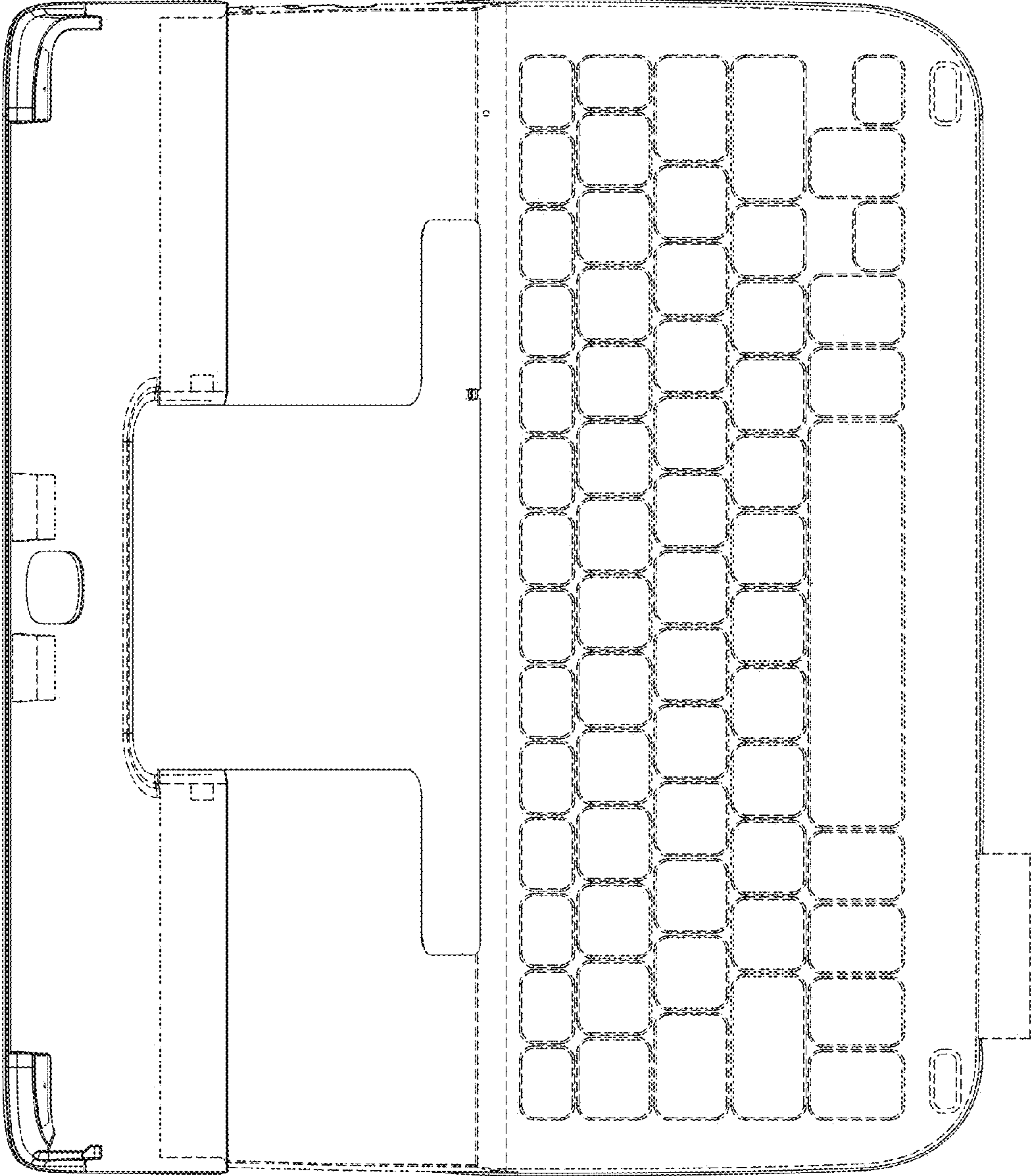


FIG. 2

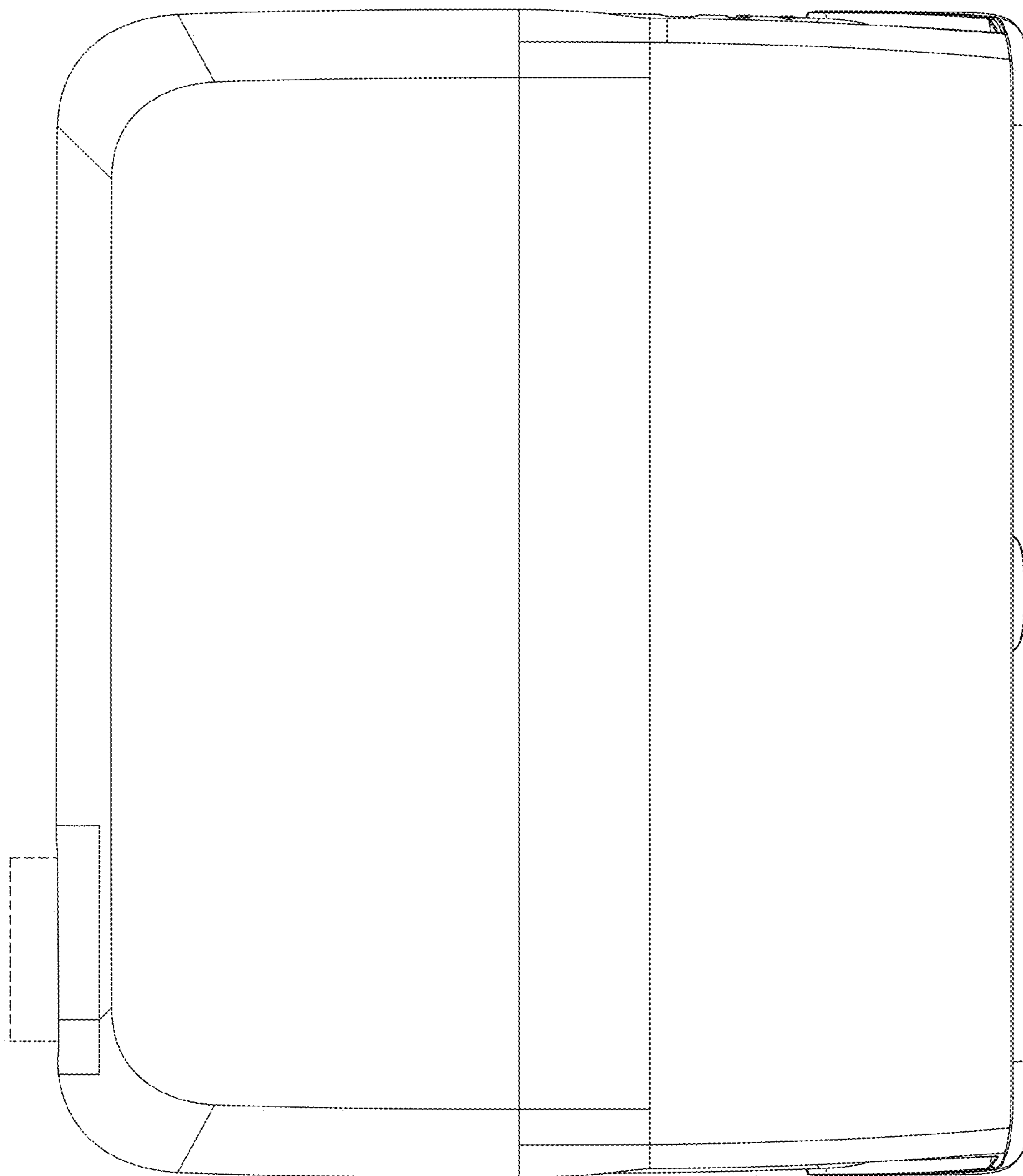


FIG. 3

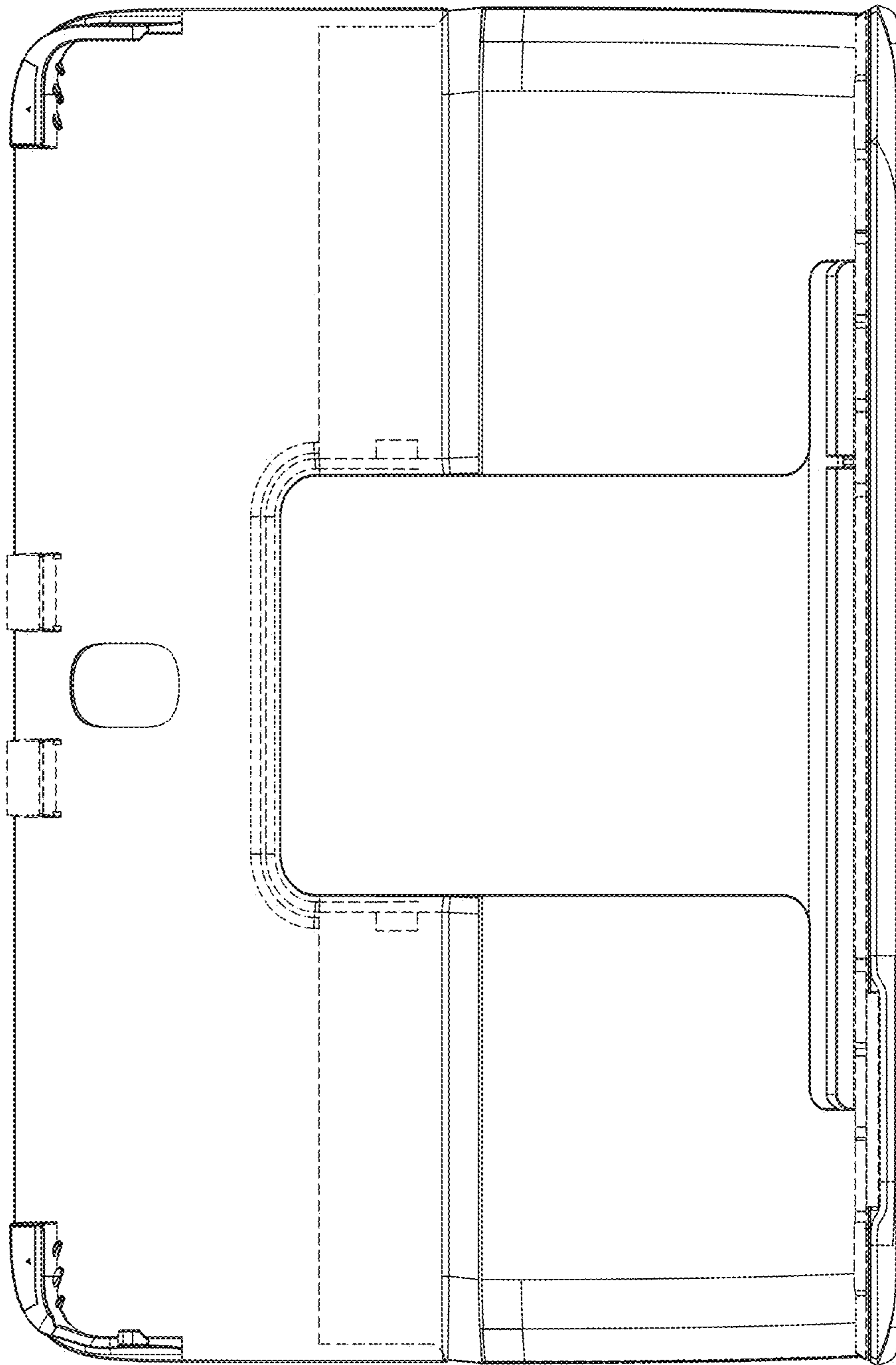


FIG. 4

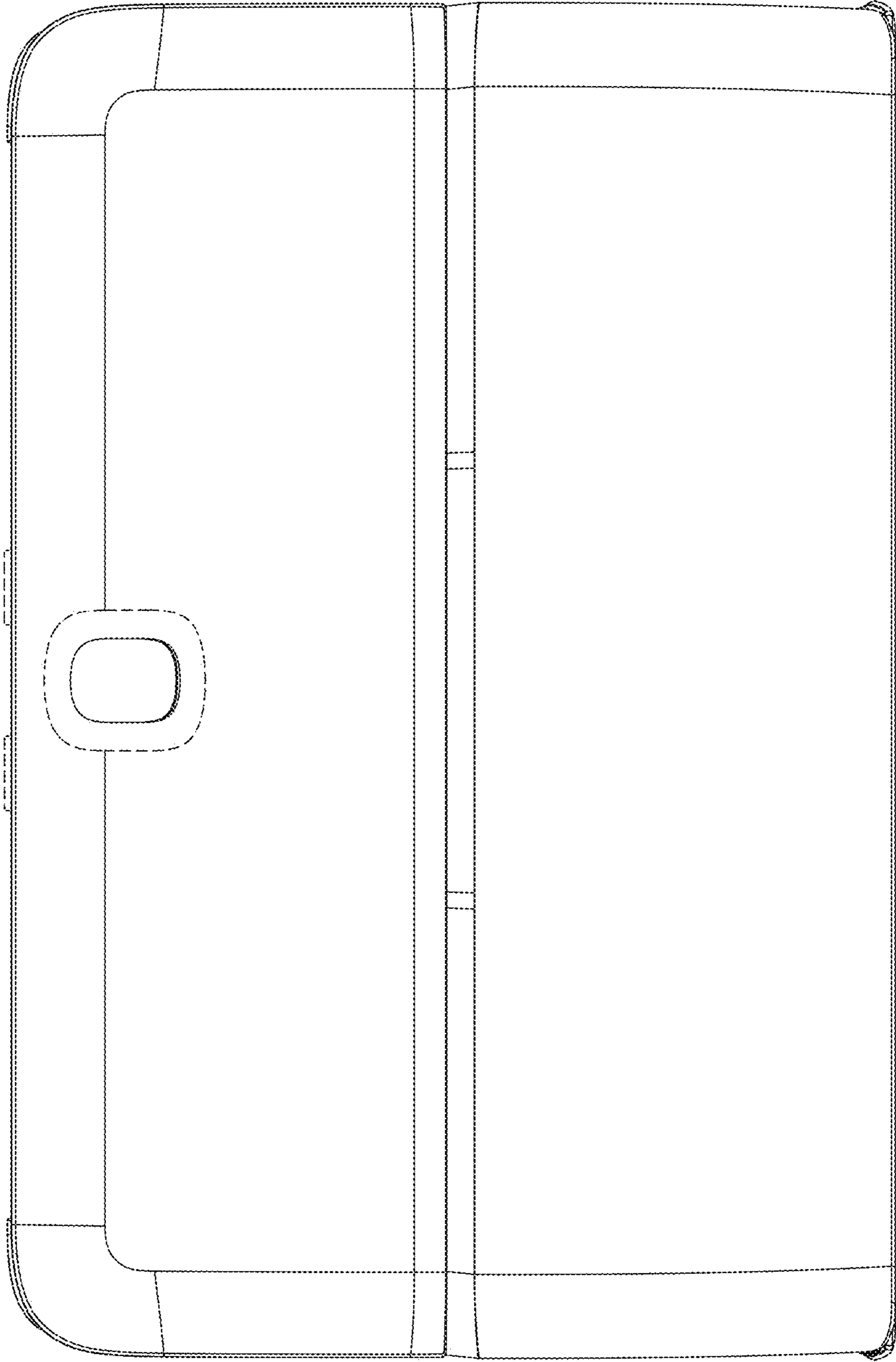


FIG. 5

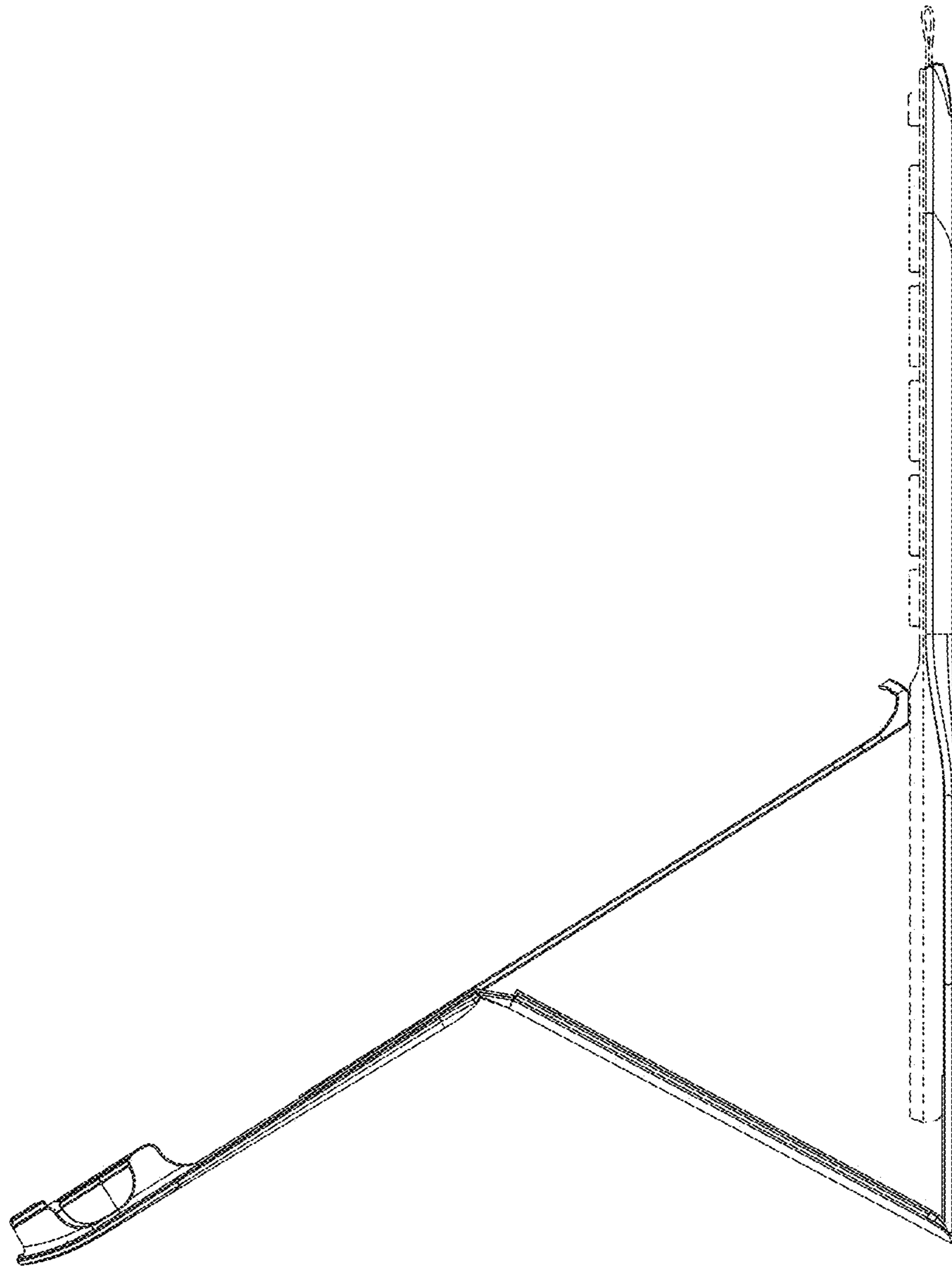


FIG. 6

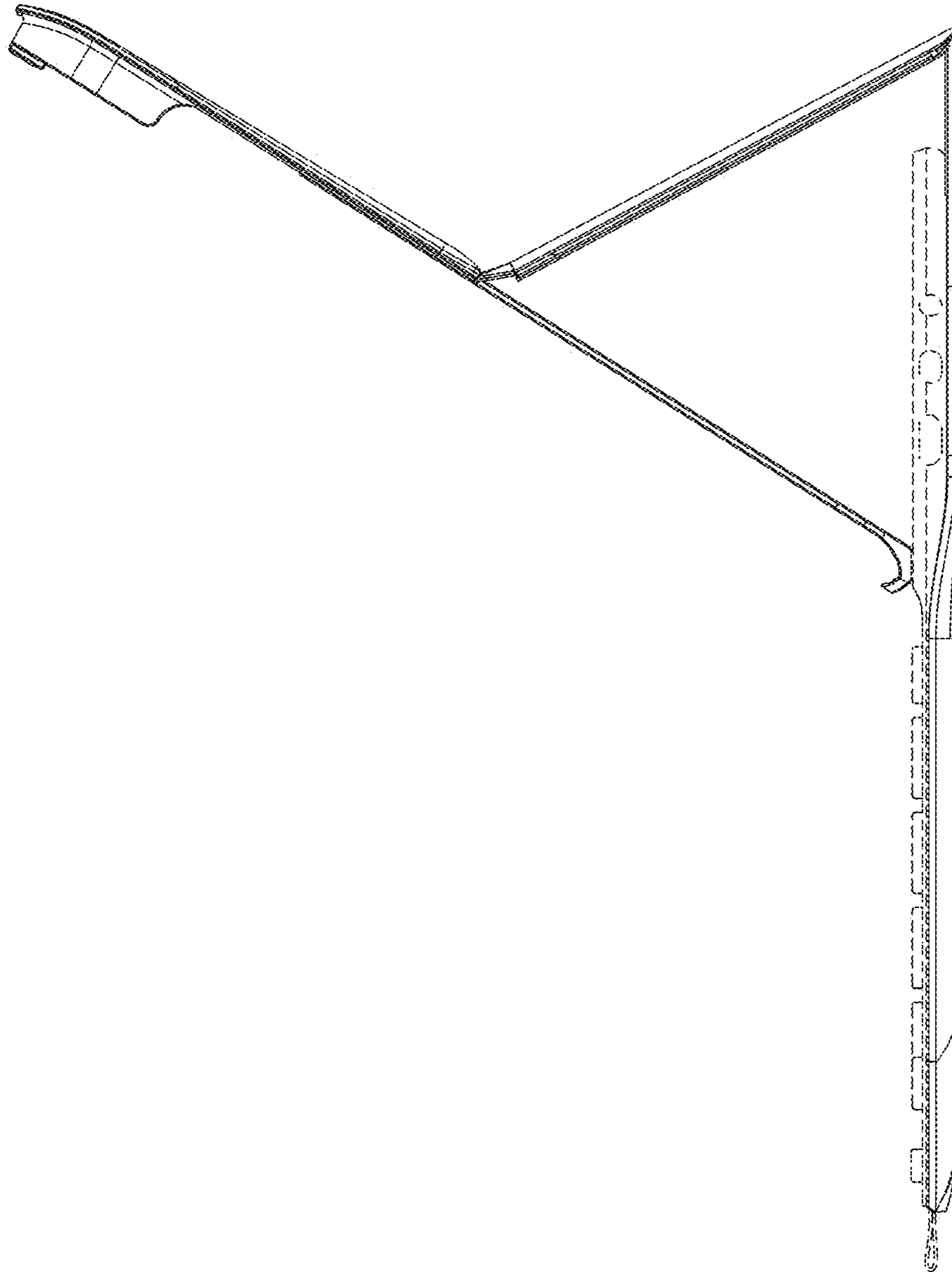


FIG. 7

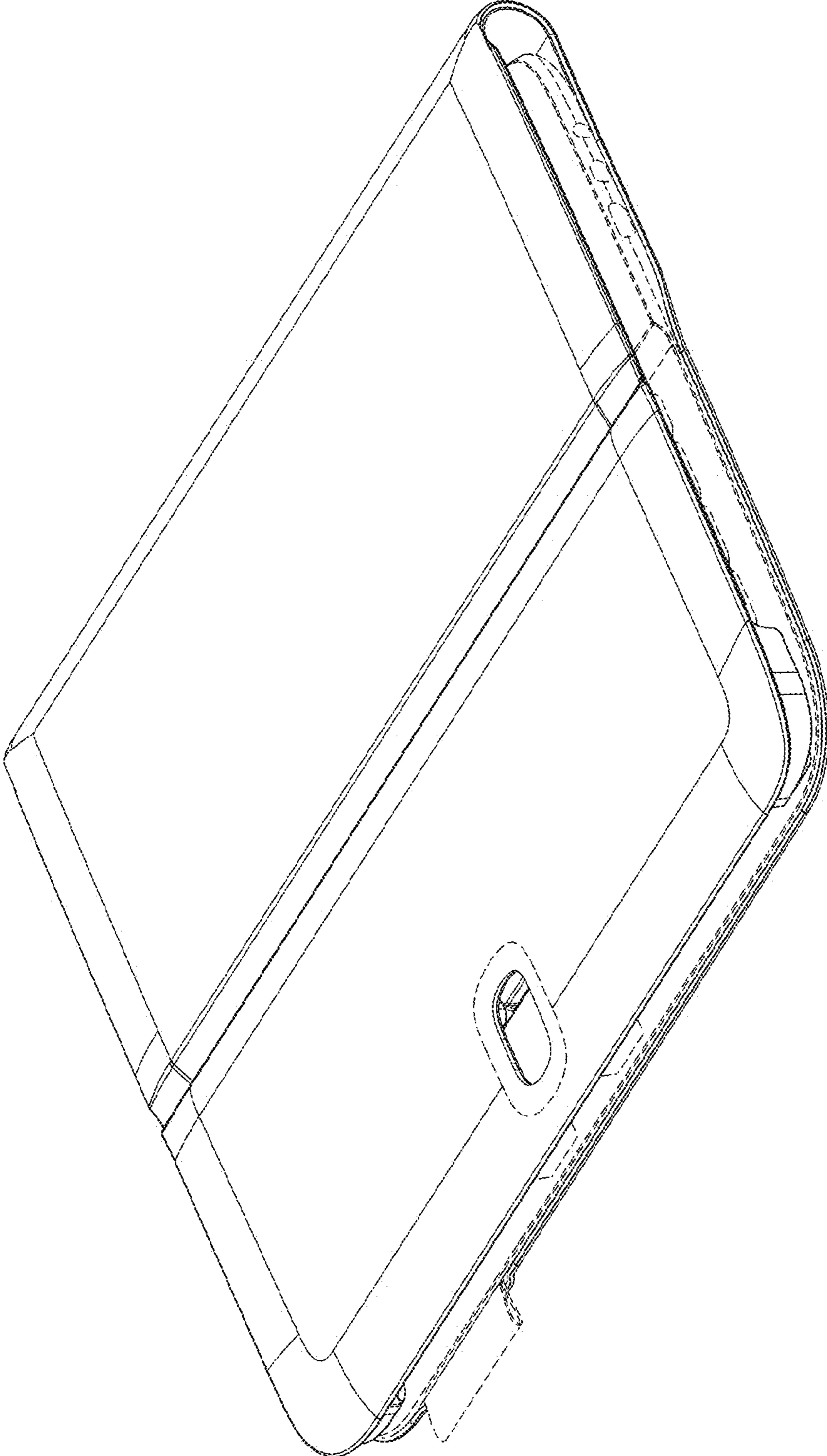


FIG. 8