



US00D753123S

(12) **United States Design Patent**  
**Probst et al.**

(10) **Patent No.:** **US D753,123 S**  
(45) **Date of Patent:** **\*\* Apr. 5, 2016**

(54) **TABLET COMPUTER CASE**

(71) Applicant: **ZAGG Intellectual Property Holding Co., Inc.**, Midvale, UT (US)

(72) Inventors: **Brian H. Probst**, Orem, UT (US); **David W. Osborne**, Cedar Hills, UT (US)

(73) Assignee: **ZAGG Intellectual Property Holding Co., Inc.**, Midvale, UT (US)

(\*\*) Term: **14 Years**

(21) Appl. No.: **29/494,691**

(22) Filed: **Jun. 23, 2014**

**Related U.S. Application Data**

(63) Continuation of application No. 29/487,974, filed on Apr. 14, 2014, now abandoned, which is a continuation of application No. 29/481,391, filed on Feb. 5, 2014, now abandoned, which is a continuation  
(Continued)

(51) **LOC (10) Cl.** ..... **14-02**

(52) **U.S. Cl.**  
USPC ..... **D14/440**

(58) **Field of Classification Search**  
USPC ..... D14/440, 439, 432, 203.4, 203.8, 341; D3/218, 215, 201, 294, 289, 900  
CPC ... G06F 1/1601; G06F 1/1626; G06F 1/1633; G06F 1/1675; G06F 1/167; G02F 1/1306; G02F 1/133308; G02F 1/153; G02F 2001/133317; H04M 1/185; H04M 1/0252; H04B 1/3888

See application file for complete search history.

(56) **References Cited**

**U.S. PATENT DOCUMENTS**

D643,433 S \* 8/2011 Hsieh ..... D14/440  
8,230,992 B2 \* 7/2012 Law ..... G06F 1/1626  
206/320

(Continued)

*Primary Examiner* — Cynthia Underwood

(74) *Attorney, Agent, or Firm* — Thorpe, North & Western, LLP

(57) **CLAIM**

What is claimed is the ornamental design for a tablet computer case, as shown and described herein.

**DESCRIPTION**

FIG. 1 is a top front perspective view of the invention with a tablet panel articulated into a raised and slightly inclined orientation and a closure panel oriented in a direction in front of the tablet panel;

FIG. 2 is a top view thereof;

FIG. 3 is a bottom view thereof;

FIG. 4 is a back view thereof;

FIG. 5 is a front view thereof;

FIG. 6 is a right side view thereof;

FIG. 7 is a top front perspective view of the invention with a tablet panel articulated into lowered orientation and closed against the a closure panel;

FIG. 8 is a back end view thereof;

FIG. 9 front end view thereof;

FIG. 10 is a left side view thereof;

FIG. 11 is a top front perspective view of the invention with a tablet panel articulated into a raised and slightly inclined orientation and a closure panel oriented in a direction in back of the tablet panel;

FIG. 12 is a front view thereof;

FIG. 13 is a back view thereof;

FIG. 14 is a left side view thereof; and,

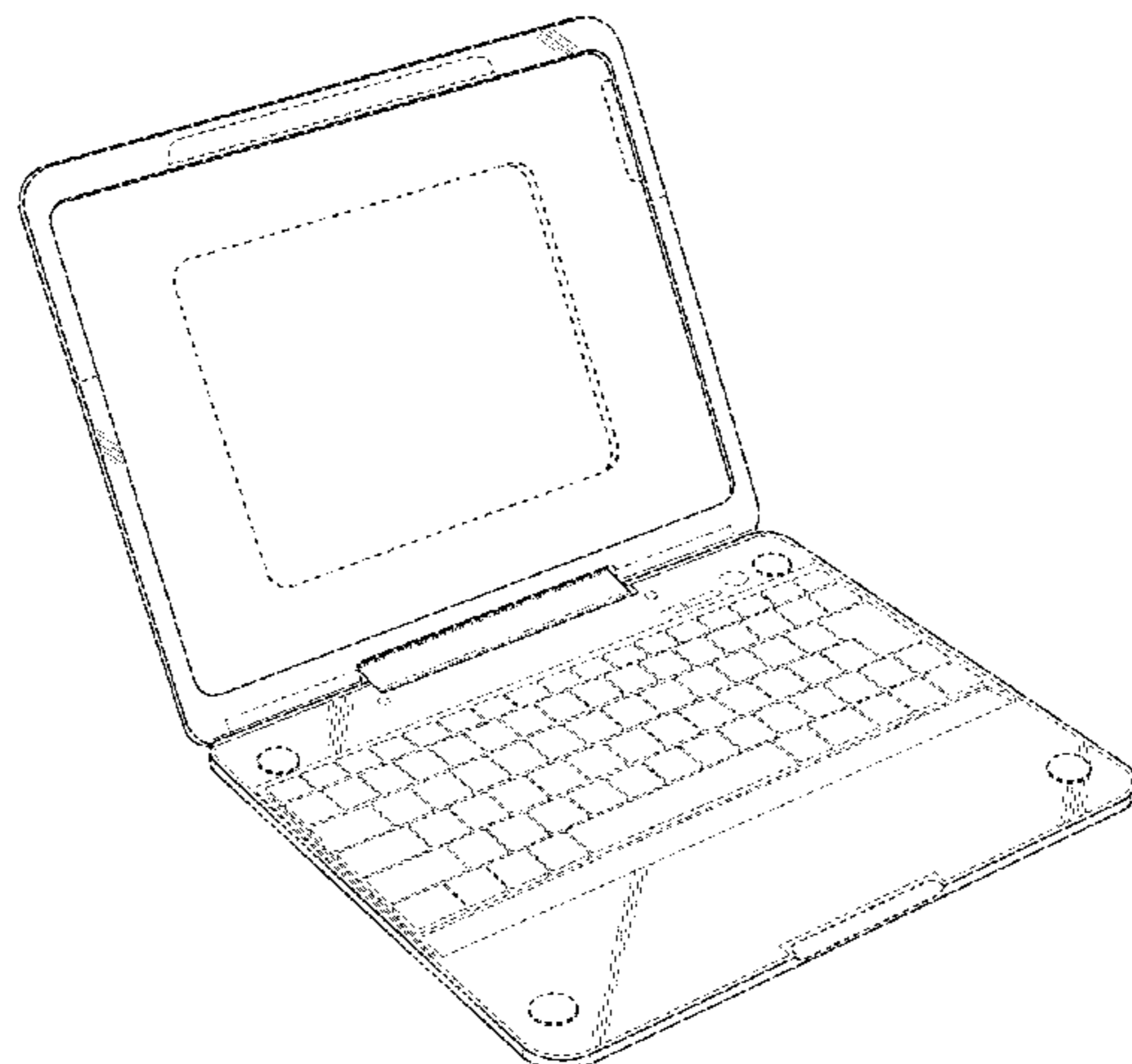
FIG. 15 is the same view of the invention as in FIG. 1, but with a tablet computer inserted into the tablet panel.

The right and left sides of the invention are mirror images of one another.

The broken lines depict environmental subject matter and form no part of the claim. The tablet computer shown in FIG. 15 represents an environment of use and forms no part of the claim.

The tablet computer shown in FIG. 15 forms no part of the invention, but is provided solely for further illustration of the workings of the design claimed and may be considered to be environment.

**1 Claim, 12 Drawing Sheets**



**Related U.S. Application Data**

of application No. 29/473,696, filed on Nov. 25, 2013, now abandoned, which is a continuation of application No. 14/017,179, filed on Sep. 3, 2013, now abandoned, which is a continuation of application No. 29/458,221, filed on Jun. 17, 2013, now abandoned, which is a continuation of application No. 29/450,872, filed on Mar. 25, 2013, now abandoned, which is a continuation of application No. 29/405,037, filed on Oct. 27, 2011, now Pat. No. Des. 679,277.

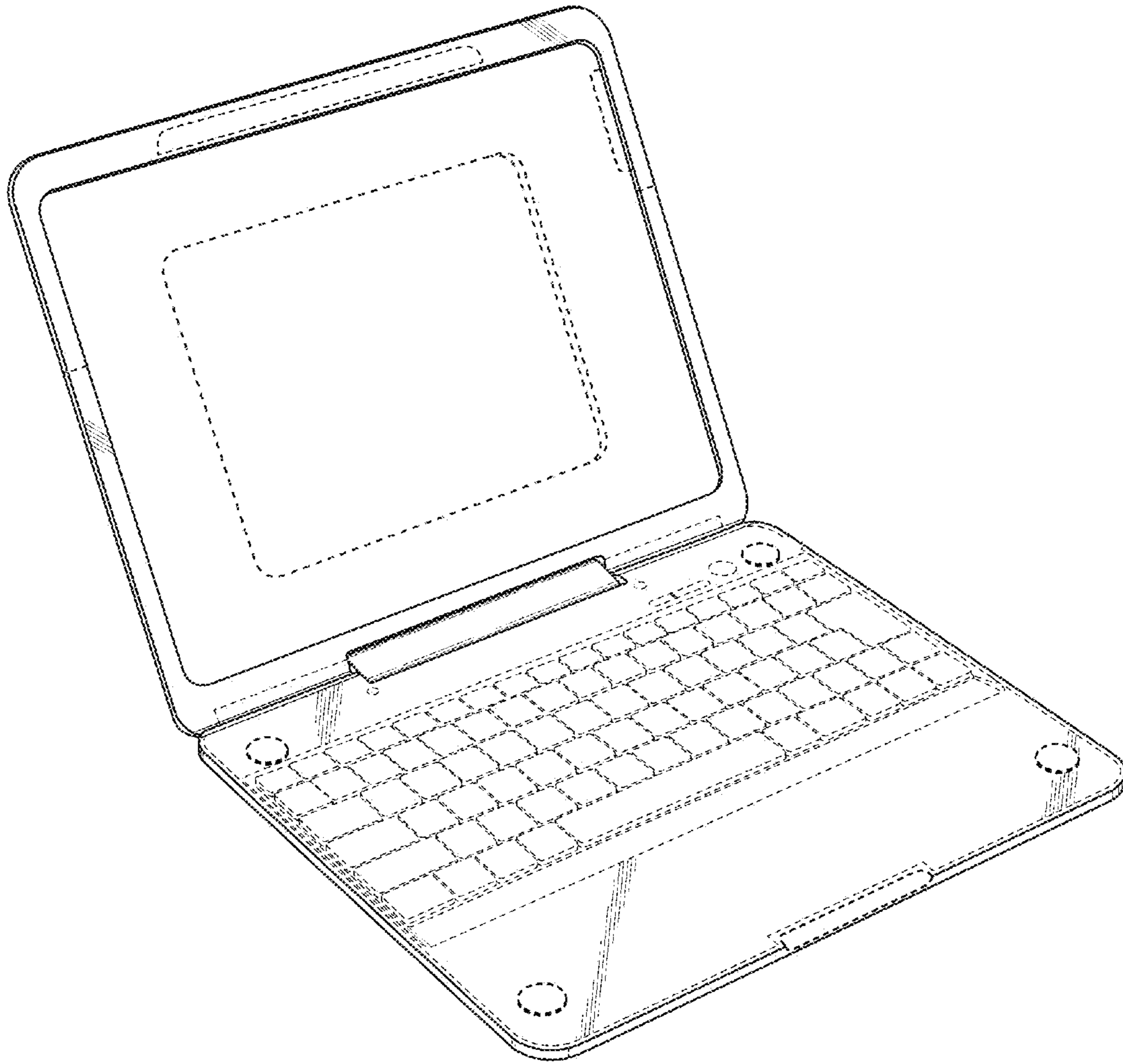
(56)

**References Cited**

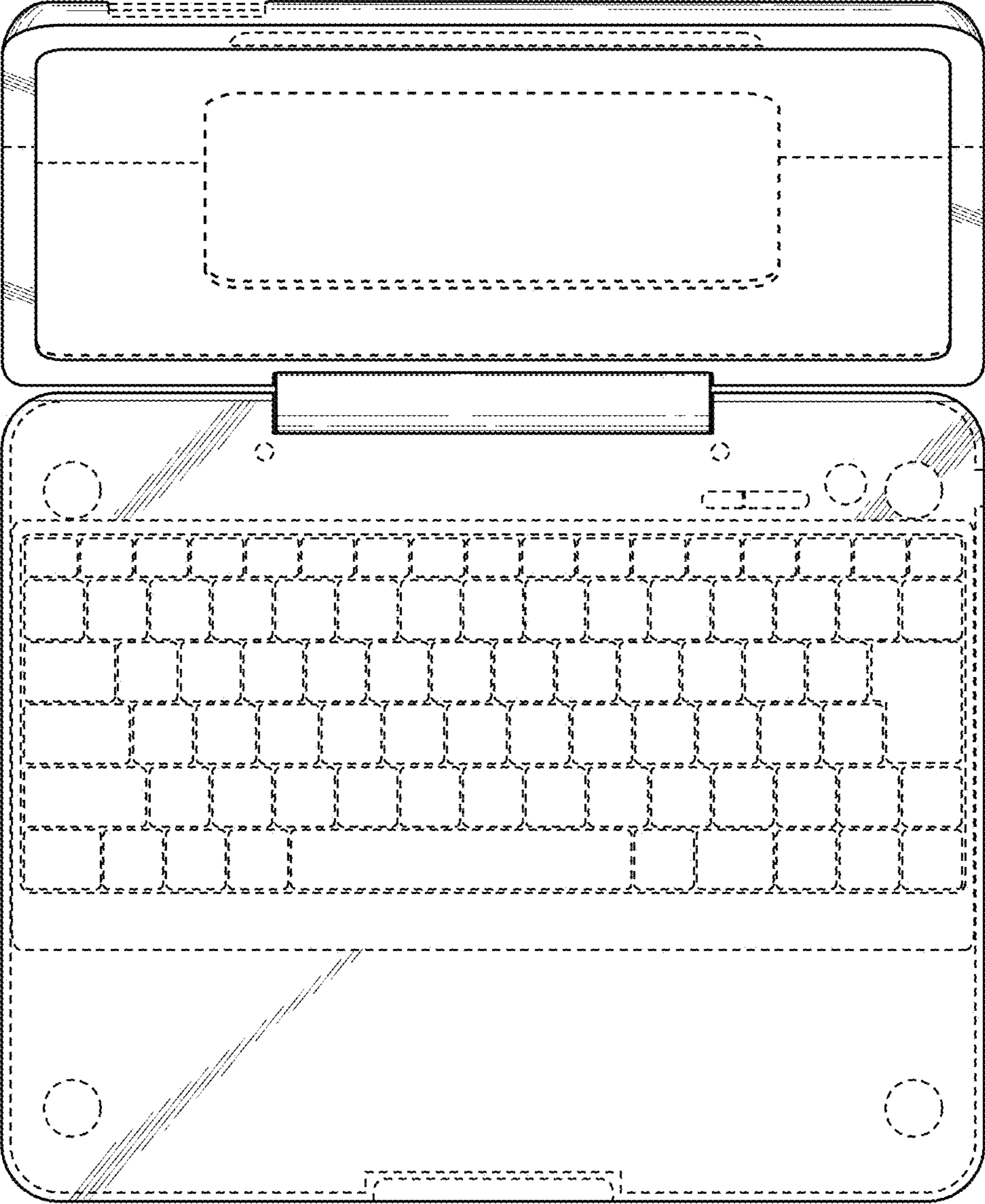
U.S. PATENT DOCUMENTS

D676,448	S	*	2/2013	Gorman	.....	D14/440
D676,449	S	*	2/2013	Probst	.....	D14/440
D714,790	S	*	10/2014	Probst	.....	D14/440
D722,057	S	*	2/2015	Schoenith	.....	D14/440
D727,917	S	*	4/2015	Yeo	.....	D14/440
9,172,419	B2	*	10/2015	Su	.....	H04B 1/3888
2008/0194139	A1	*	8/2008	Chan	.....	G06F 1/1613 439/521

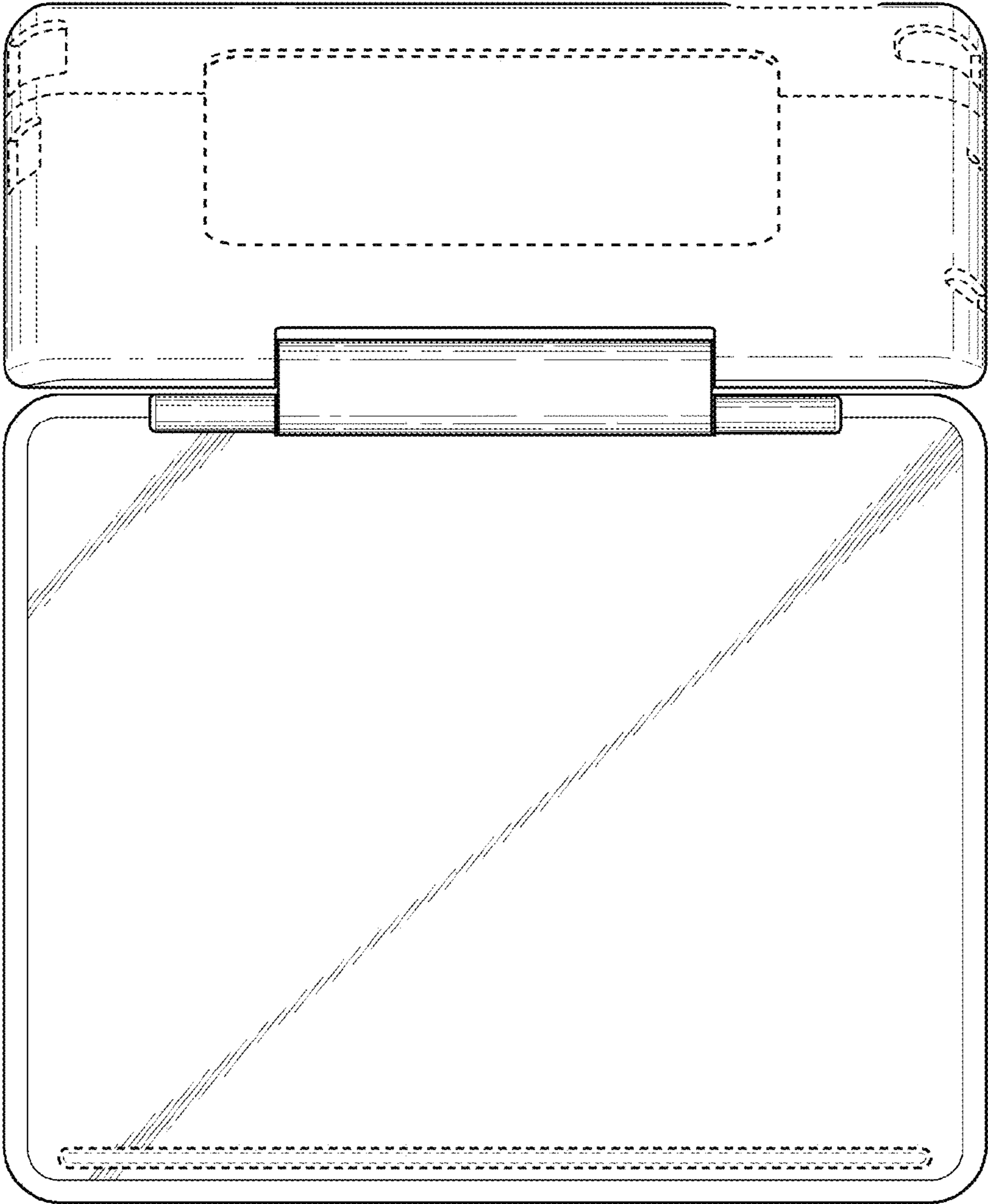
\* cited by examiner



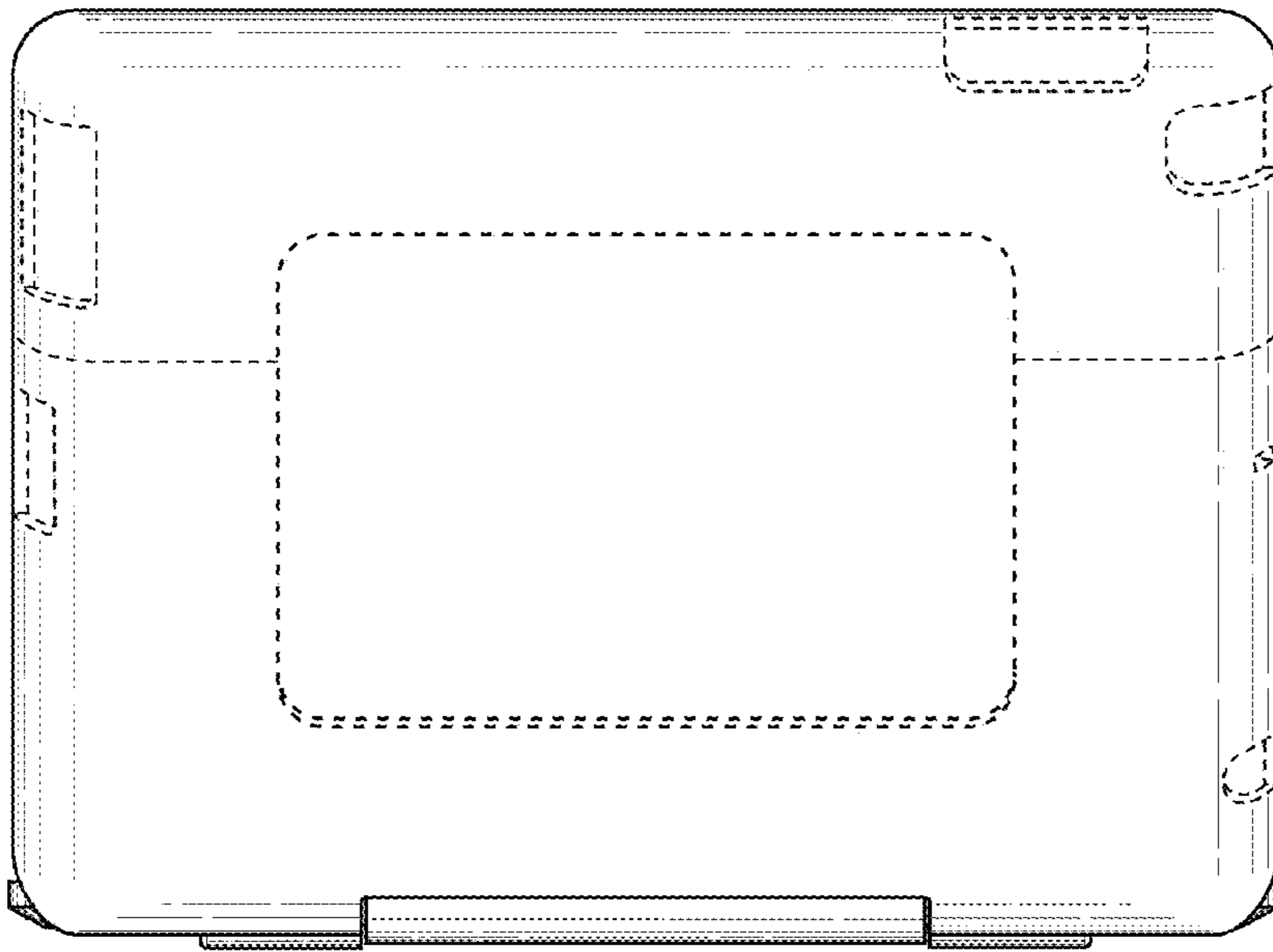
**Fig. 1**



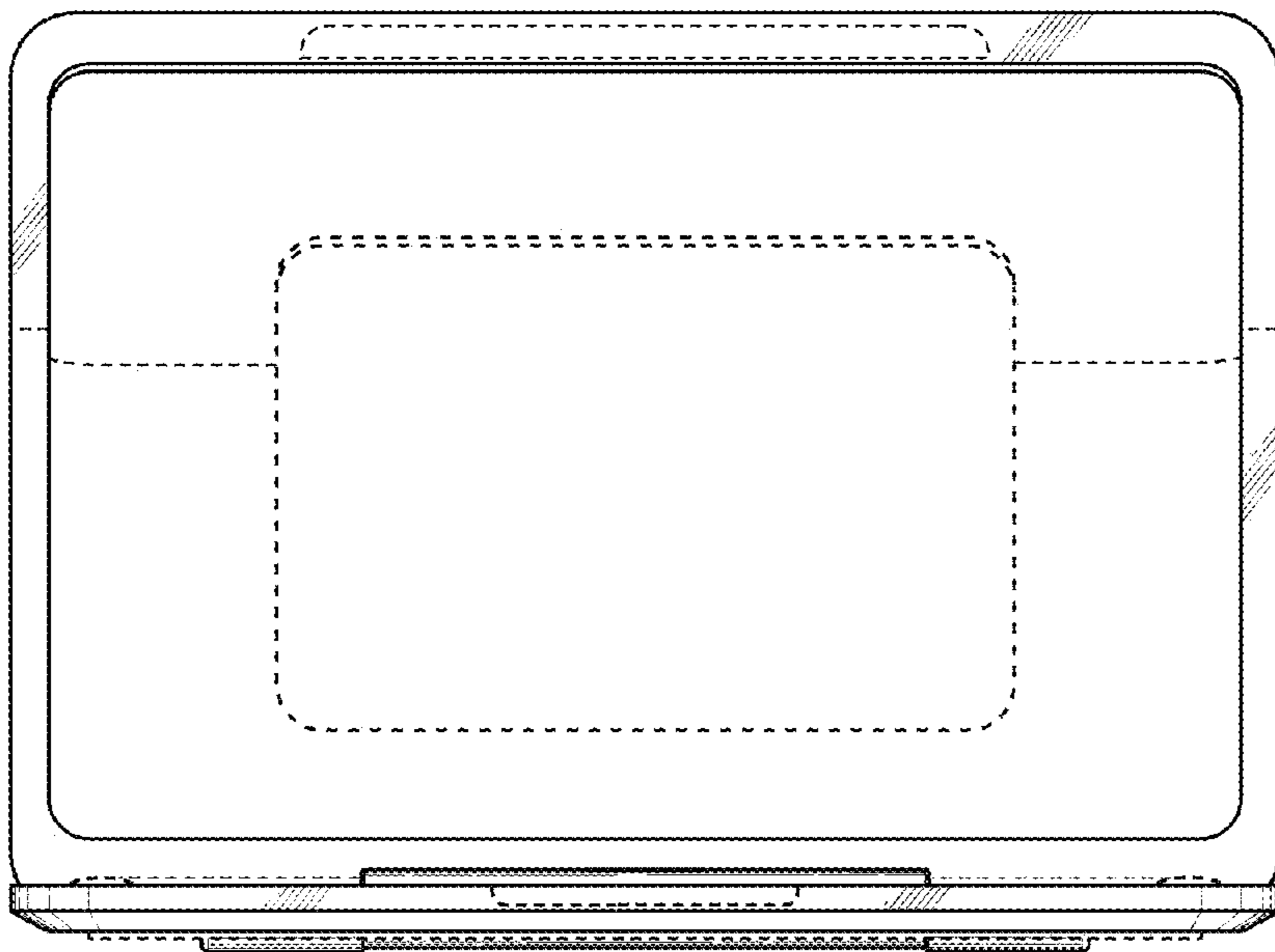
**Fig. 2**



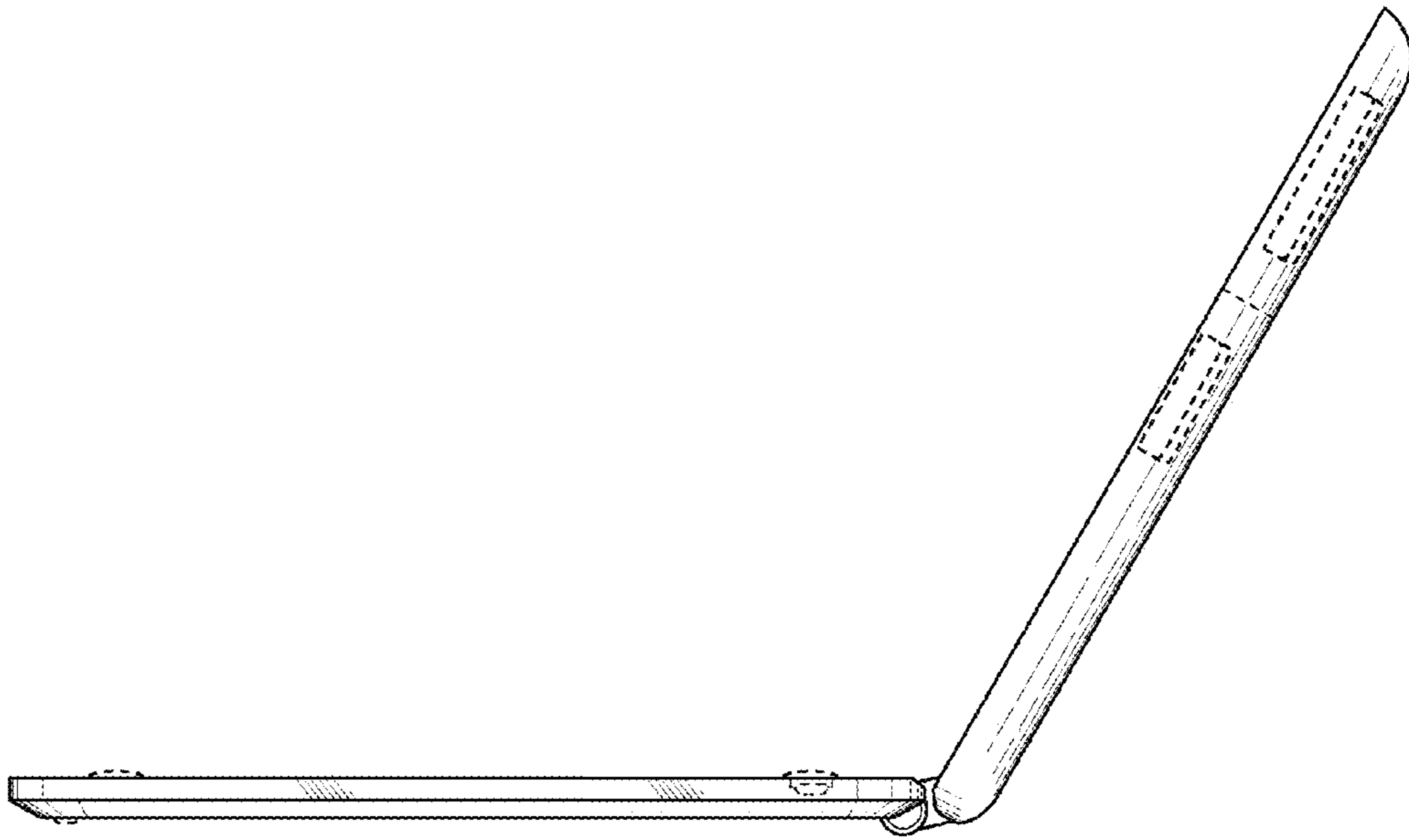
**Fig. 3**



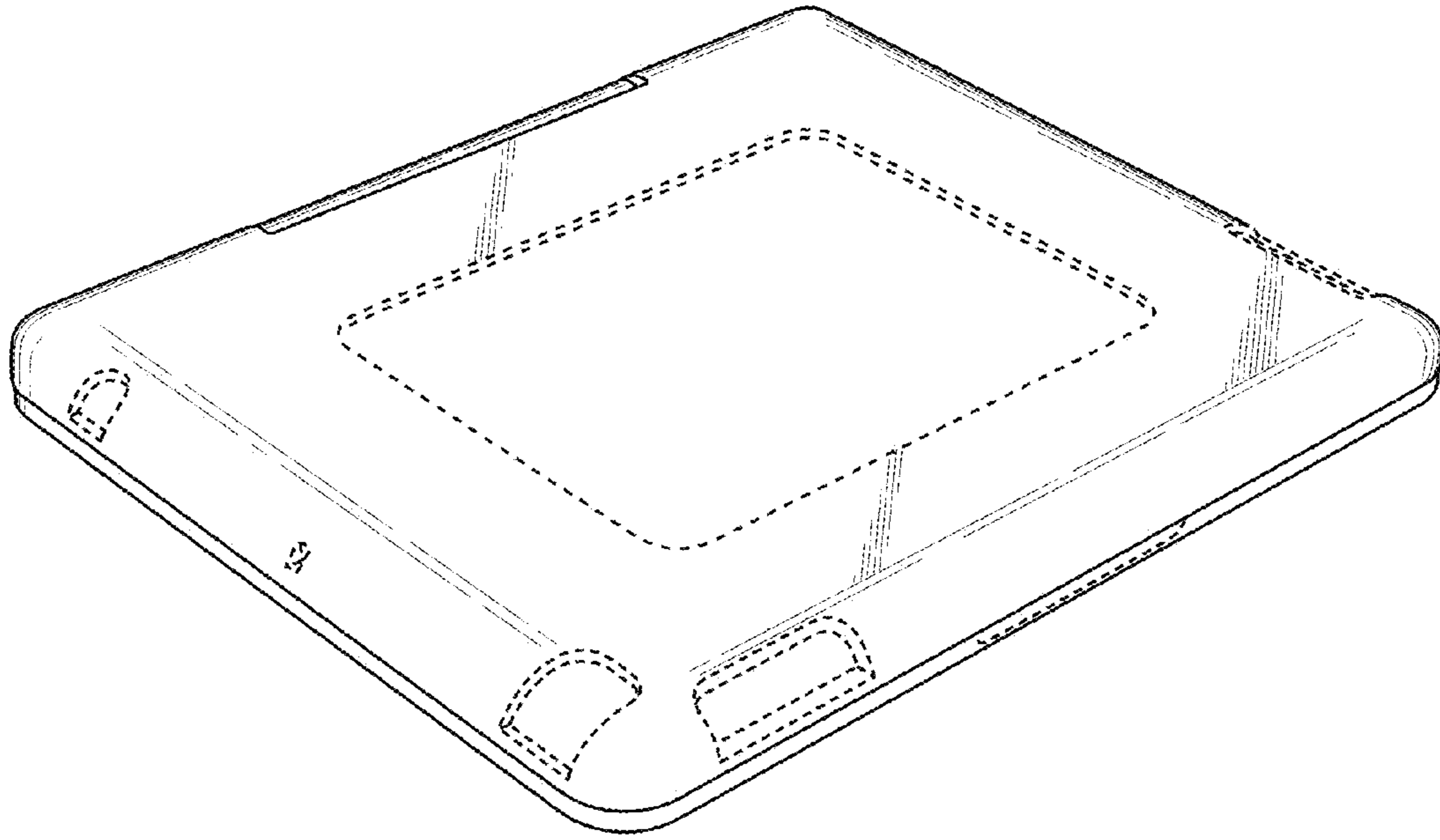
**Fig. 4**



**Fig. 5**

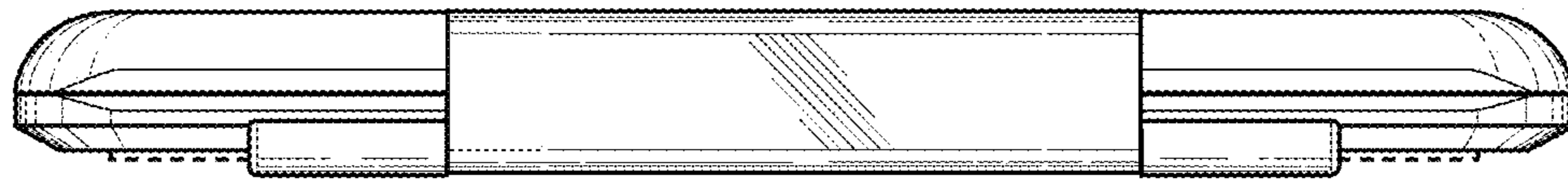


**Fig. 6**

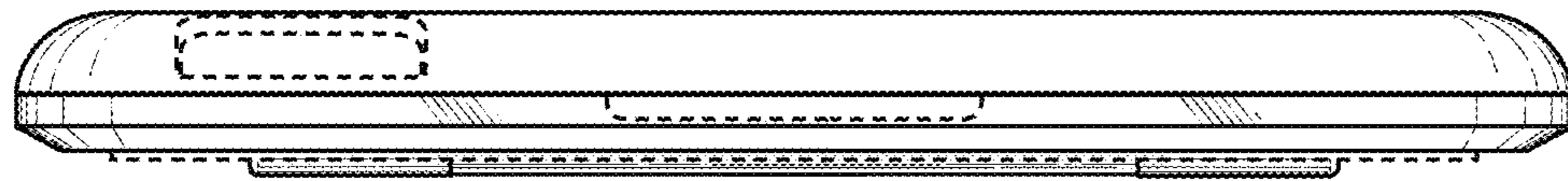


**Fig. 7**

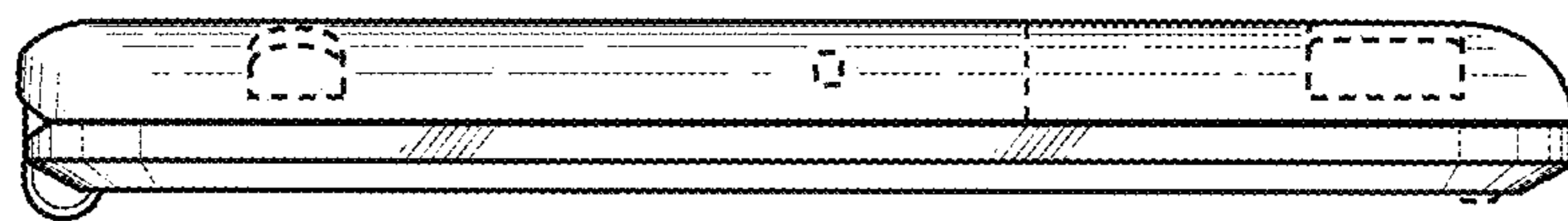




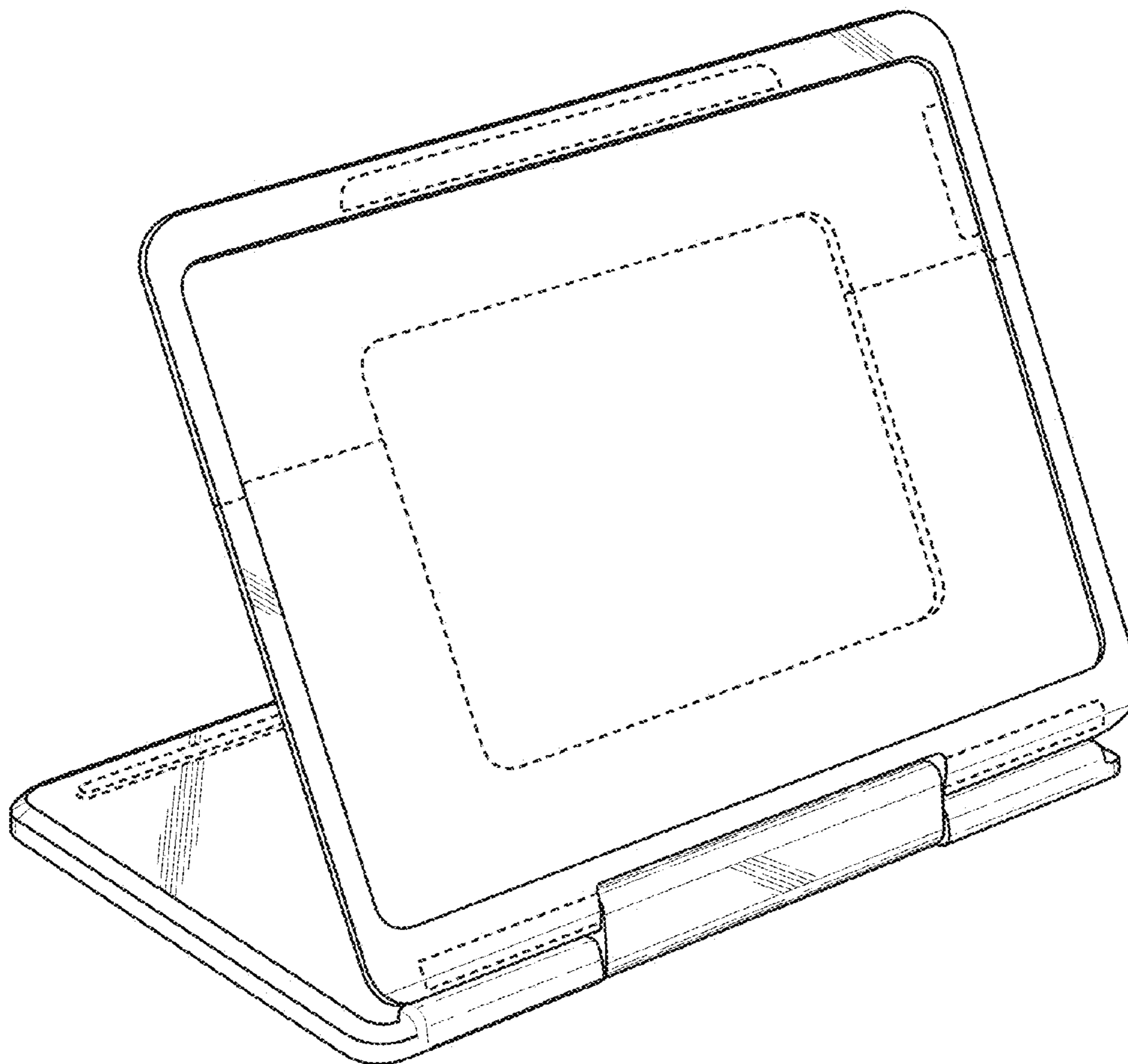
**Fig. 8**



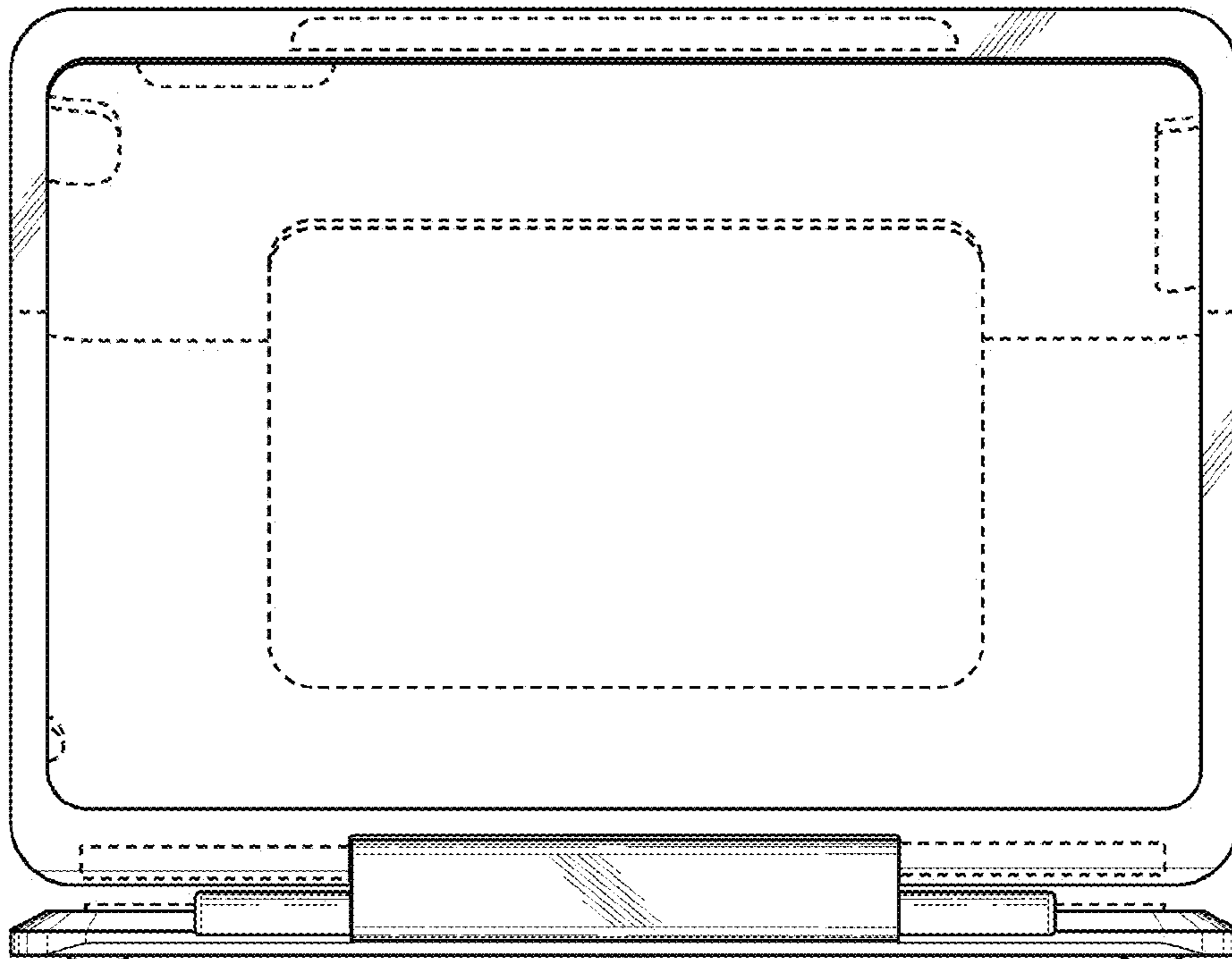
**Fig. 9**



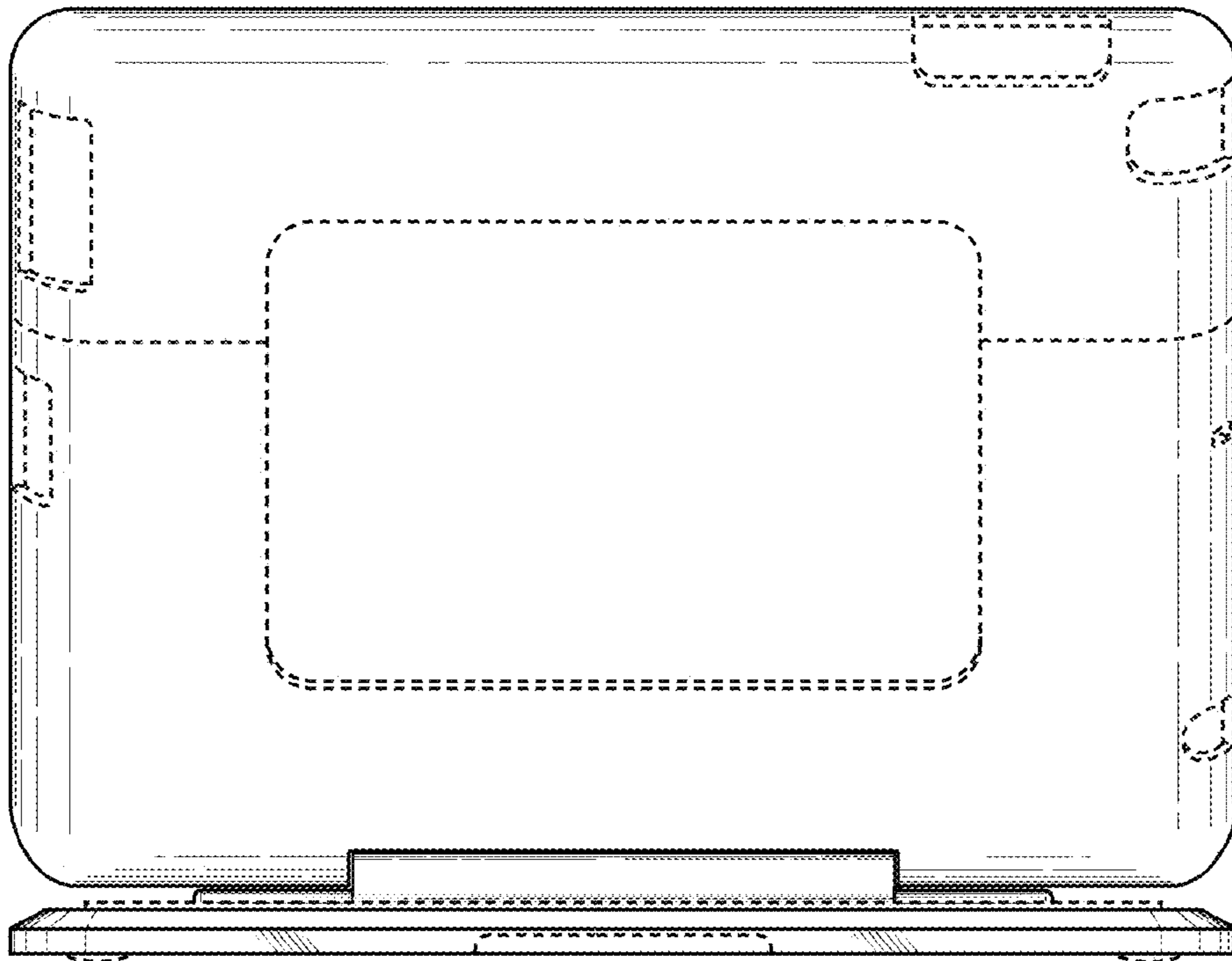
**Fig. 10**



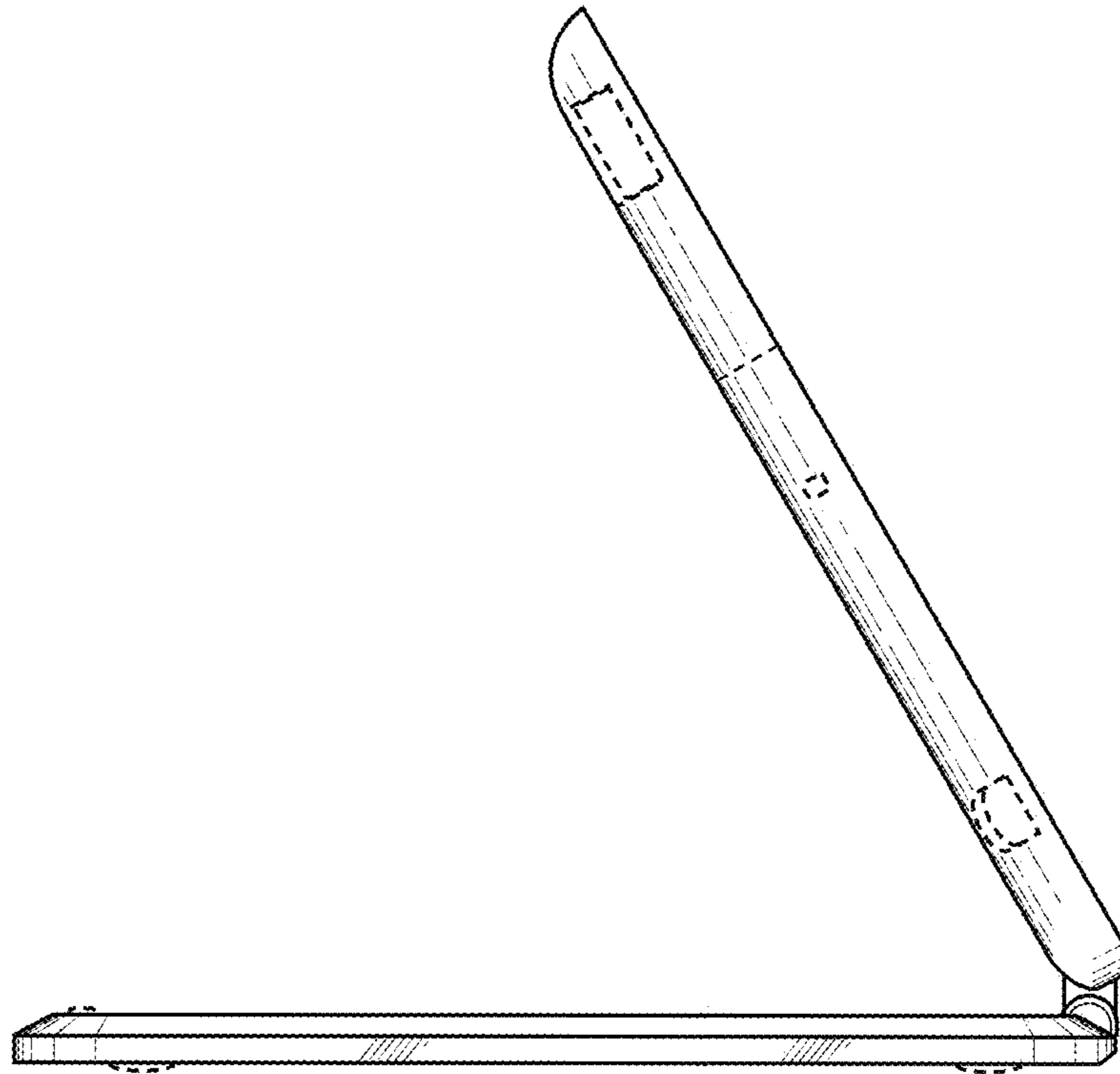
**Fig. 11**



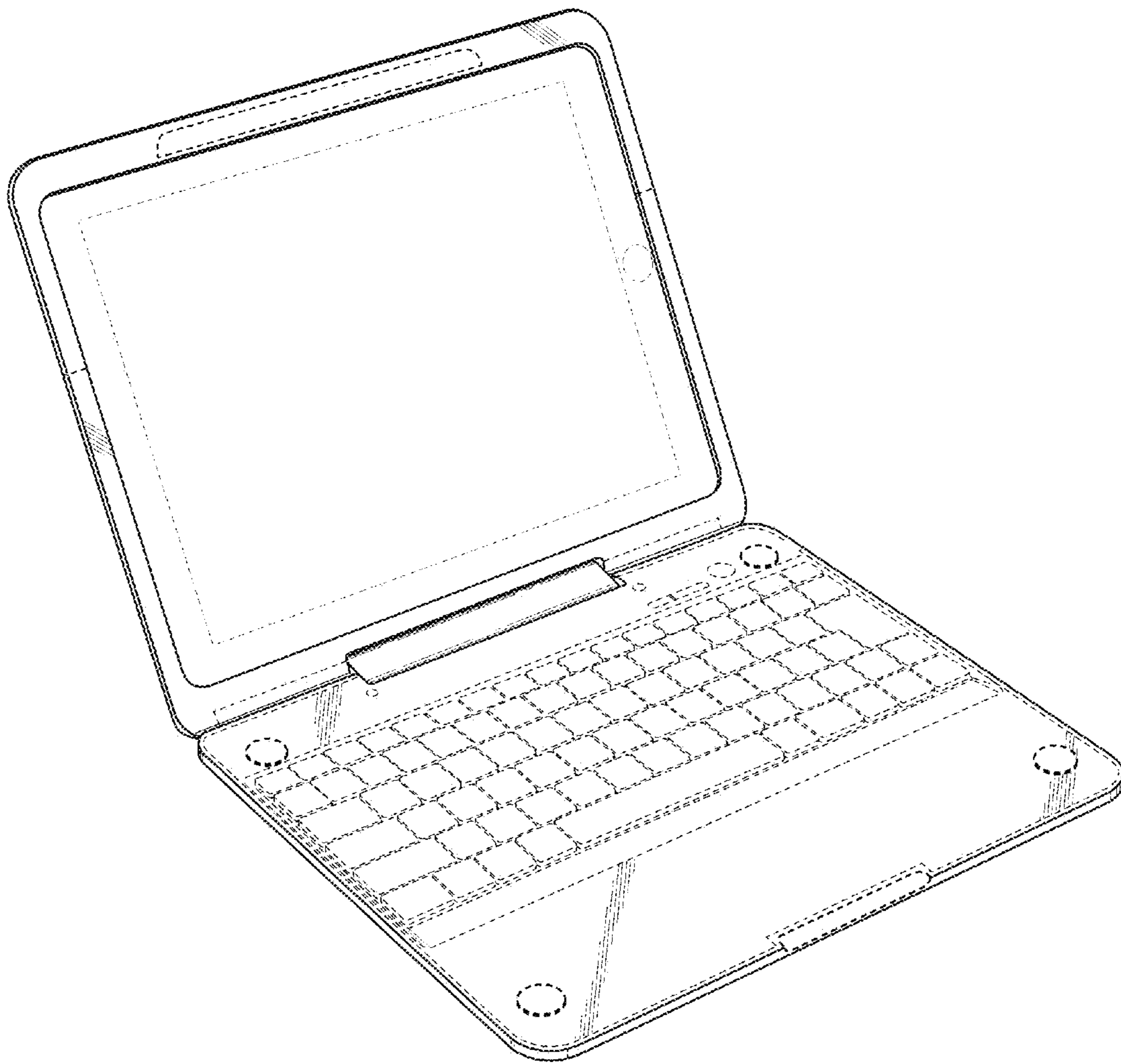
**Fig. 12**



**Fig. 13**



***Fig. 14***



**Fig. 15**