



US00D753114S

(12) **United States Design Patent**
Osterhout

(10) **Patent No.:** **US D753,114 S**

(45) **Date of Patent:** **** Apr. 5, 2016**

(54) **AIR MOUSE**
(71) Applicant: **Osterhout Group, Inc.**, San Francisco, CA (US)
(72) Inventor: **Ralph F. Osterhout**, San Francisco, CA (US)
(73) Assignee: **Osterhout Group, Inc.**, San Francisco, CA (US)

5,767,841 A * 6/1998 Hartman G06F 3/03549
345/167
5,788,195 A * 8/1998 Rice G06F 3/039
248/118.5
D410,638 S * 6/1999 Sheehan D14/409
5,914,818 A 6/1999 Tejada et al.
5,949,583 A 9/1999 Rallison et al.
6,034,653 A 3/2000 Robertson et al.

(Continued)

FOREIGN PATENT DOCUMENTS

EP 368898 A1 5/1990
EP 777867 A1 6/1997

(Continued)

OTHER PUBLICATIONS

“Genius Ring Mice”, <http://www.geniusnet.com/Genius/wSite/productCompare/compare.jsp>, Dec. 23, 2014, 1 page.

(Continued)

(**) Term: **14 Years**
(21) Appl. No.: **29/513,677**
(22) Filed: **Jan. 5, 2015**
(51) **LOC (10) Cl.** **14-02**
(52) **U.S. Cl.**
USPC **D14/402**
(58) **Field of Classification Search**
USPC D14/402–411, 356, 388, 389, 383–385,
D14/417, 426; 345/156–167; 463/36–38;
358/471, 473; 273/148 B
CPC G06F 3/03543; G06F 2203/0333;
G06F 3/039; G06F 3/038; G06F 2203/0384
See application file for complete search history.

Primary Examiner — Austin Murphy
(74) *Attorney, Agent, or Firm* — GTC Law Group PC & Affiliates

(57) **CLAIM**
The ornamental design for an air mouse, as shown and described.

(56) **References Cited**

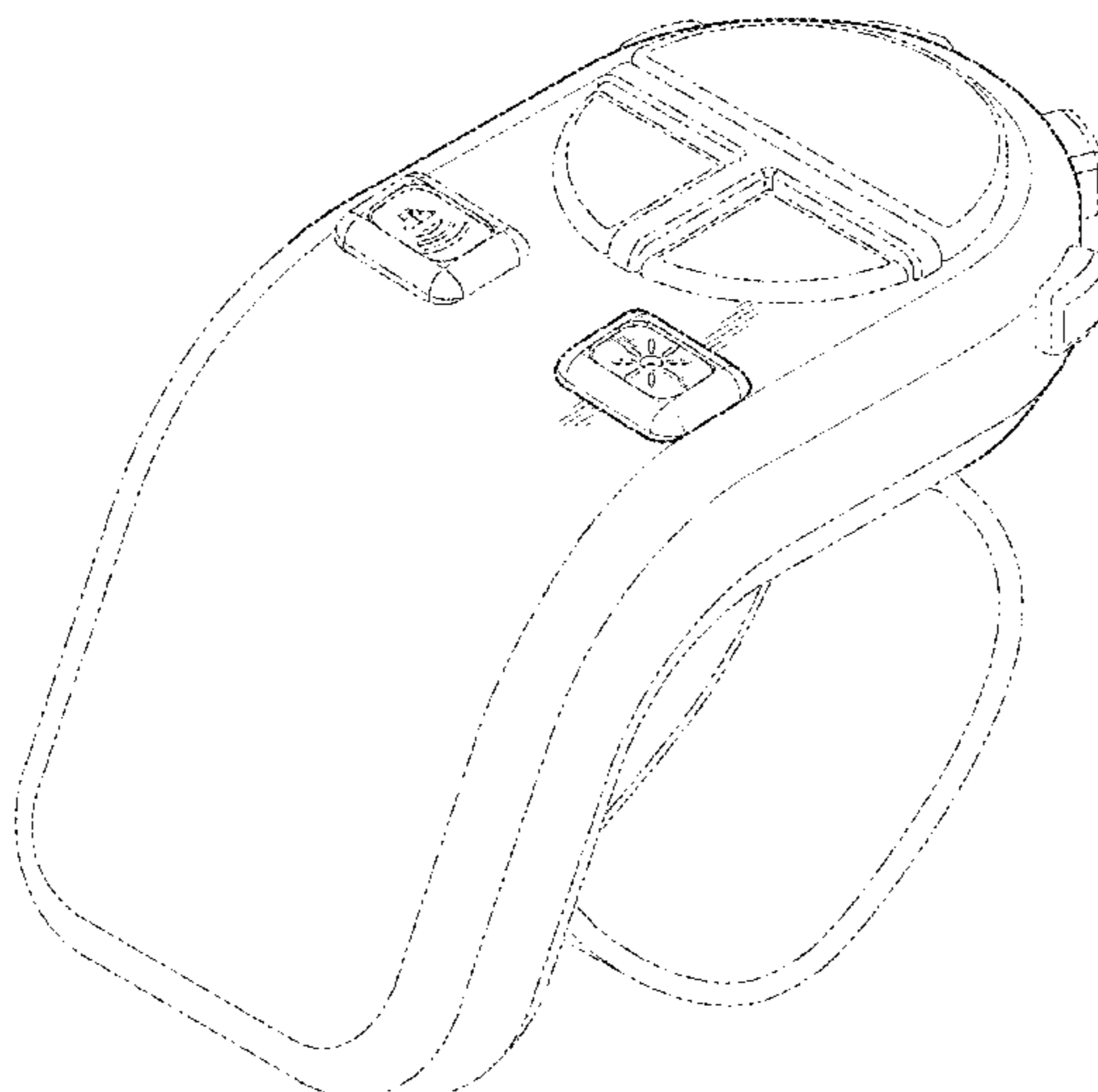
DESCRIPTION

U.S. PATENT DOCUMENTS

3,305,294 A 2/1967 Alvarez
4,668,155 A 5/1987 Kaufmann et al.
D327,674 S 7/1992 Kuo
5,151,722 A 9/1992 Massof et al.
5,257,094 A 10/1993 LaRussa et al.
D352,930 S * 11/1994 Tsuji D13/168
D375,748 S * 11/1996 Hartman D14/218
D376,790 S 12/1996 Goulet et al.
5,621,424 A 4/1997 Shimada et al.
5,699,057 A 12/1997 Ikeda et al.
5,699,194 A 12/1997 Takahashi
5,717,422 A 2/1998 Ferguson et al.
D392,959 S * 3/1998 Edwards D14/402

FIG. 1 is a top rear perspective view of an embodiment of the new design;
FIG. 2 is a front view thereof;
FIG. 3 is a side view thereof;
FIG. 4 is a side view thereof;
FIG. 5 is a bottom view thereof;
FIG. 6 is a rear view thereof; and,
FIG. 7 is a top view thereof.
The broken lines in FIGS. 1-7 are for environmental purposes only and form no part of the claimed design.

1 Claim, 4 Drawing Sheets



(56)

References Cited

U.S. PATENT DOCUMENTS

6,222,677 B1	4/2001	Budd		8,823,071 B2	9/2014	Oyamada	
D451,892 S *	12/2001	Carrere	D13/171	8,832,557 B2	9/2014	Tang et al.	
6,456,438 B1	9/2002	Lee et al.		8,836,768 B1	9/2014	Zuccarino et al.	
6,461,000 B1	10/2002	Magarill		8,837,880 B2	9/2014	Takeda et al.	
6,478,429 B1	11/2002	Aritake et al.		8,854,433 B1	10/2014	Raffi	
6,480,174 B1	11/2002	Kaufmann et al.		8,867,139 B2	10/2014	Gupta	
6,491,389 B2	12/2002	Yaguchi et al.		D716,813 S	11/2014	Deng	
D470,144 S	2/2003	Li		D718,309 S *	11/2014	Roberts	D14/402
6,535,182 B2	3/2003	Stanton		8,878,749 B1	11/2014	Wu et al.	
D473,871 S	4/2003	Santos		D719,568 S	12/2014	Heinrich et al.	
D478,052 S *	8/2003	Thomas, Jr.	D13/168	D719,569 S	12/2014	Heinrich et al.	
6,795,041 B2	9/2004	Ogawa et al.		D719,570 S	12/2014	Heinrich et al.	
6,847,336 B1	1/2005	Lemelson et al.		8,922,530 B2	12/2014	Pance	
D512,027 S *	11/2005	Sarasjoki	D13/168	8,955,973 B2	2/2015	Raffle et al.	
D513,233 S *	12/2005	Stauffer	D13/168	8,964,298 B2	2/2015	Haddick et al.	
6,987,787 B1	1/2006	Mick		D724,083 S	3/2015	Olsson et al.	
D514,525 S *	2/2006	Stauffer	D13/168	8,971,023 B2	3/2015	Olsson et al.	
7,016,116 B2	3/2006	Dolgoft et al.		8,982,471 B1	3/2015	Starner et al.	
D521,493 S	5/2006	Wai		D727,317 S	4/2015	Olsson et al.	
7,088,234 B2	8/2006	Naito et al.		9,020,832 B2	4/2015	Fisher et al.	
D529,467 S *	10/2006	Rose	D14/138 R	D728,573 S	5/2015	Deng	
D541,226 S	4/2007	Wakisaka et al.		9,031,273 B2	5/2015	Dong et al.	
7,199,934 B2	4/2007	Yamasaki		D732,025 S	6/2015	Heinrich et al.	
D559,793 S *	1/2008	Fan	D13/168	D733,709 S	7/2015	Kawai	
D571,816 S	6/2008	Corcoran et al.		D738,373 S	9/2015	Davies et al.	
7,417,617 B2	8/2008	Eichenlaub		9,122,054 B2	9/2015	Osterhout et al.	
7,457,040 B2	11/2008	Amitai		9,128,281 B2	9/2015	Osterhout et al.	
7,646,540 B2	1/2010	Dolgoft et al.		9,129,295 B2	9/2015	Border et al.	
7,690,799 B2	4/2010	Nestorovic et al.		9,143,693 B1	9/2015	Zhou et al.	
7,728,799 B2	6/2010	Kerr et al.		D743,963 S *	11/2015	Osterhout	D14/402
7,777,723 B2	8/2010	Namiki et al.		2001/0019240 A1	9/2001	Takahashi et al.	
7,777,960 B2	8/2010	Freeman		2002/0005108 A1	1/2002	Ludwig et al.	
7,830,370 B2	11/2010	Yamazaki et al.		2002/0109903 A1	8/2002	Kaeriyama et al.	
7,855,743 B2	12/2010	Sako et al.		2002/0183101 A1	12/2002	Oh et al.	
D630,213 S *	1/2011	Fidali	D14/402	2004/0027312 A1	2/2004	Owada et al.	
D631,881 S	2/2011	Quinn et al.		2004/0066547 A1	4/2004	Parker et al.	
D631,882 S	2/2011	Odgers		2004/0150631 A1	8/2004	Fleck et al.	
7,928,926 B2	4/2011	Yamamoto et al.		2006/0092131 A1	5/2006	Kuroki et al.	
8,004,765 B2	8/2011	Amitai		2006/0098293 A1	5/2006	Garoutte et al.	
8,018,579 B1	9/2011	Krah et al.		2006/0132457 A1	6/2006	Rimas-Ribikauskas et al.	
8,166,421 B2	4/2012	Magal et al.		2006/0250322 A1	11/2006	Hall et al.	
8,212,859 B2	7/2012	Tang et al.		2006/0288233 A1	12/2006	Kozlay et al.	
8,228,315 B1	7/2012	Starner et al.		2007/0024750 A1	2/2007	Wing Chung et al.	
8,246,170 B2	8/2012	Yamamoto et al.		2007/0024763 A1	2/2007	Chung et al.	
8,376,548 B2	2/2013	Schultz		2007/0024764 A1	2/2007	Chung et al.	
8,378,924 B2	2/2013	Jacobsen et al.		2007/0024820 A1	2/2007	Chung et al.	
D680,112 S	4/2013	Monahan		2007/0024823 A1	2/2007	Chung et al.	
8,427,396 B1	4/2013	Kim		2007/0025273 A1	2/2007	Chung et al.	
8,494,215 B2	7/2013	Kimchi et al.		2007/0035563 A1	2/2007	Biocca et al.	
D689,862 S	9/2013	Liu		2007/0058868 A1	3/2007	Seino et al.	
D690,684 S	10/2013	Lee et al.		2007/0100637 A1	5/2007	McCune et al.	
8,553,910 B1	10/2013	Dong et al.		2007/0178950 A1	8/2007	Lewis et al.	
8,564,883 B2	10/2013	Totani et al.		2008/0005702 A1	1/2008	Skourup et al.	
8,570,273 B1	10/2013	Smith		2008/0191965 A1	8/2008	Pandozy et al.	
8,570,656 B1	10/2013	Weissman et al.		2008/0266645 A1	10/2008	Dharmatilleke et al.	
8,576,276 B2	11/2013	Bar-Zeev et al.		2008/0291277 A1	11/2008	Jacobsen et al.	
8,576,491 B2	11/2013	Takagi et al.		2009/0279180 A1	11/2009	Amitai et al.	
8,587,869 B2	11/2013	Totani et al.		2010/0007852 A1	1/2010	Bietry et al.	
8,593,795 B1	11/2013	Chi et al.		2010/0085325 A1	4/2010	King-Smith et al.	
8,594,467 B2	11/2013	Lu et al.		2010/0103075 A1	4/2010	Kalaboukis et al.	
D696,668 S *	12/2013	Chen	D14/402	2010/0130140 A1	5/2010	Waku et al.	
D697,914 S *	1/2014	Bates	D14/402	2010/0149073 A1	6/2010	Chaum et al.	
8,662,686 B2	3/2014	Takagi et al.		2010/0178101 A1	7/2010	Day et al.	
8,670,183 B2	3/2014	Clavin et al.		2010/0194682 A1	8/2010	Orr et al.	
8,698,157 B2	4/2014	Hanamura		2010/0283774 A1	11/2010	Bovet et al.	
8,711,487 B2	4/2014	Takeda et al.		2011/0089325 A1	4/2011	Ottney	
8,743,052 B1	6/2014	Keller et al.		2011/0102234 A1	5/2011	Adams et al.	
8,745,058 B1	6/2014	Garcia-Barrio		2011/0130958 A1	6/2011	Stahl et al.	
8,750,541 B1	6/2014	Dong et al.		2011/0131495 A1	6/2011	Bull et al.	
8,752,963 B2	6/2014	McCulloch et al.		2011/0157236 A1	6/2011	Inoue et al.	
8,760,765 B2	6/2014	Gupta et al.		2011/0164047 A1	7/2011	Pance et al.	
8,786,675 B2	7/2014	Deering et al.		2011/0164163 A1	7/2011	Bilbrey et al.	
8,787,006 B2	7/2014	Golko et al.		2011/0164221 A1	7/2011	Tilleman et al.	
8,803,867 B2	8/2014	Oikawa		2011/0196610 A1	8/2011	Waldman et al.	
8,814,691 B2	8/2014	Osterhout et al.		2011/0199171 A1	8/2011	Prest et al.	
				2011/0201213 A1	8/2011	Dabov et al.	
				2011/0202823 A1	8/2011	Berger et al.	
				2011/0213664 A1	9/2011	Osterhout et al.	
				2011/0221672 A1	9/2011	Osterhout et al.	

(56)

References Cited

U.S. PATENT DOCUMENTS

2011/0221896	A1	9/2011	Haddick et al.	2014/0160055	A1	6/2014	Margolis et al.
2011/0248963	A1	10/2011	Lawrence et al.	2014/0160157	A1	6/2014	Poulos et al.
2012/0035934	A1	2/2012	Cunningham et al.	2014/0160170	A1	6/2014	Lyons
2012/0050493	A1	3/2012	Ernst et al.	2014/0168266	A1	6/2014	Kimura et al.
2012/0075168	A1	3/2012	Osterhout et al.	2014/0168716	A1	6/2014	King et al.
2012/0078628	A1	3/2012	Ghulman et al.	2014/0168735	A1	6/2014	Yuan et al.
2012/0092328	A1	4/2012	Flaks et al.	2014/0176603	A1	6/2014	Kumar et al.
2012/0113514	A1	5/2012	Rodman	2014/0177023	A1	6/2014	Gao et al.
2012/0119978	A1	5/2012	Bietry et al.	2014/0247286	A1	9/2014	Chi et al.
2012/0120103	A1	5/2012	Border et al.	2014/0253588	A1	9/2014	Mandala et al.
2012/0176682	A1	7/2012	DeJong et al.	2014/0361957	A1	12/2014	Hua et al.
2012/0188245	A1	7/2012	Hyatt et al.	2014/0363797	A1	12/2014	Hu et al.
2012/0194553	A1	8/2012	Osterhout et al.	2014/0372957	A1	12/2014	Kipman et al.
2012/0200935	A1	8/2012	Miyao et al.	2014/0375683	A1	12/2014	Massey et al.
2012/0212398	A1	8/2012	Border et al.	2015/0097719	A1	4/2015	Balachandreswaran et al.
2012/0212499	A1	8/2012	Haddick et al.	2015/0146004	A1	5/2015	Rakshit et al.
2012/0212593	A1	8/2012	Na'Aman et al.	2015/0169953	A1	6/2015	Border
2012/0223885	A1	9/2012	Perez	2015/0201834	A1	7/2015	Border et al.
2012/0229367	A1	9/2012	Magyari et al.	2015/0201835	A1	7/2015	Border et al.
2012/0242251	A1	9/2012	Kwisthout et al.	2015/0201836	A1	7/2015	Border et al.
2012/0250152	A1	10/2012	Larson et al.	2015/0205035	A1	7/2015	Border et al.
2012/0264510	A1	10/2012	Wigdor et al.	2015/0205100	A1	7/2015	Border
2012/0293548	A1	11/2012	Perez et al.	2015/0205101	A1	7/2015	Border
2012/0306850	A1	12/2012	Balan et al.	2015/0205102	A1	7/2015	Border
2012/0327040	A1	12/2012	Simon et al.	2015/0205103	A1	7/2015	Border
2012/0327116	A1	12/2012	Liu et al.	2015/0205104	A1	7/2015	Border
2013/0009366	A1	1/2013	Hannegan et al.	2015/0205105	A1	7/2015	Border
2013/0009907	A1	1/2013	Rosenberg et al.	2015/0205107	A1	7/2015	Border
2013/0070344	A1	3/2013	Takeda et al.	2015/0205108	A1	7/2015	Border et al.
2013/0077049	A1	3/2013	Bohn et al.	2015/0205111	A1	7/2015	Border et al.
2013/0083055	A1	4/2013	Piemonte et al.	2015/0205112	A1	7/2015	Border
2013/0088413	A1	4/2013	Raffle et al.	2015/0205113	A1	7/2015	Border et al.
2013/0100259	A1	4/2013	Ramaswamy	2015/0205114	A1	7/2015	Border et al.
2013/0106674	A1	5/2013	Wheeler et al.	2015/0205115	A1	7/2015	Border et al.
2013/0120841	A1	5/2013	Shpunt et al.	2015/0205116	A1	7/2015	Border et al.
2013/0127980	A1	5/2013	Haddick	2015/0205117	A1	7/2015	Border et al.
2013/0135198	A1	5/2013	Hodge et al.	2015/0205118	A1	7/2015	Border et al.
2013/0154913	A1	6/2013	Genc et al.	2015/0205119	A1	7/2015	Osterhout et al.
2013/0162632	A1	6/2013	Varga et al.	2015/0205120	A1	7/2015	Border et al.
2013/0185052	A1	7/2013	Boyd et al.	2015/0205121	A1	7/2015	Border et al.
2013/0196757	A1	8/2013	Latta et al.	2015/0205122	A1	7/2015	Border et al.
2013/0201081	A1	8/2013	Evans et al.	2015/0205123	A1	7/2015	Border
2013/0207970	A1	8/2013	Shpunt et al.	2015/0205124	A1	7/2015	Border
2013/0230215	A1	9/2013	Gurman et al.	2015/0205125	A1	7/2015	Border et al.
2013/0234914	A1	9/2013	Fujimaki et al.	2015/0205127	A1	7/2015	Border et al.
2013/0250207	A1	9/2013	Bohn et al.	2015/0205128	A1	7/2015	Border
2013/0250430	A1	9/2013	Robbins et al.	2015/0205129	A1	7/2015	Border et al.
2013/0250503	A1	9/2013	Olsson et al.	2015/0205130	A1	7/2015	Border
2013/0257622	A1	10/2013	Davalos et al.	2015/0205131	A1	7/2015	Border et al.
2013/0265227	A1	10/2013	Julian et al.	2015/0205132	A1	7/2015	Osterhout et al.
2013/0300637	A1	11/2013	Smits et al.	2015/0205135	A1	7/2015	Border et al.
2013/0300652	A1	11/2013	Raffle et al.	2015/0205346	A1	7/2015	Border
2013/0321265	A1	12/2013	Bychkov et al.	2015/0205347	A1	7/2015	Border
2013/0321271	A1	12/2013	Bychkov et al.	2015/0205348	A1	7/2015	Northrup et al.
2013/0335301	A1	12/2013	Wong et al.	2015/0205349	A1	7/2015	Northrup et al.
2013/0336528	A1	12/2013	Itani et al.	2015/0205351	A1	7/2015	Osterhout et al.
2013/0336629	A1	12/2013	Mulholland et al.	2015/0205373	A1	7/2015	Osterhout et al.
2013/0342571	A1	12/2013	Kinnebrew et al.	2015/0205378	A1	7/2015	Osterhout
2013/0342981	A1	12/2013	Cox et al.	2015/0205384	A1	7/2015	Osterhout et al.
2014/0028704	A1	1/2014	Wu et al.	2015/0205385	A1	7/2015	Osterhout et al.
2014/0043682	A1	2/2014	Hussey et al.	2015/0205387	A1	7/2015	Osterhout et al.
2014/0062854	A1	3/2014	Cho	2015/0205388	A1	7/2015	Osterhout
2014/0063473	A1	3/2014	Pasolini	2015/0205401	A1	7/2015	Osterhout
2014/0078282	A1	3/2014	Aoki et al.	2015/0205402	A1	7/2015	Osterhout
2014/0091984	A1	4/2014	Ashbrook et al.	2015/0205566	A1	7/2015	Osterhout
2014/0101608	A1	4/2014	Ryskamp et al.	2015/0206008	A1	7/2015	Border et al.
2014/0125785	A1	5/2014	Na et al.	2015/0206173	A1	7/2015	Northrup et al.
2014/0129328	A1	5/2014	Mathew	2015/0212324	A1	7/2015	Osterhout
2014/0146394	A1	5/2014	Tout et al.	2015/0212327	A1	7/2015	Osterhout et al.
2014/0147829	A1	5/2014	Jerault	2015/0213650	A1	7/2015	Barzuza et al.
2014/0152530	A1	6/2014	Venkatesha et al.	2015/0226966	A1	8/2015	Osterhout
2014/0152558	A1	6/2014	Salter et al.	2015/0226967	A1	8/2015	Osterhout et al.
2014/0152676	A1	6/2014	Rohn et al.	2015/0228099	A1	8/2015	Osterhout
2014/0153173	A1	6/2014	Pombo et al.	2015/0228119	A1	8/2015	Osterhout et al.
2014/0159995	A1	6/2014	Adams et al.	2015/0228120	A1	8/2015	Osterhout et al.
				2015/0229019	A1	8/2015	Osterhout
				2015/0235422	A1	8/2015	Lohse et al.
				2015/0235622	A1	8/2015	Border et al.
				2015/0241963	A1	8/2015	Northrup et al.

(56)

References Cited

U.S. PATENT DOCUMENTS

2015/0241964 A1 8/2015 Northrup et al.
 2015/0241965 A1 8/2015 Northrup et al.
 2015/0241966 A1 8/2015 Northrup et al.
 2015/0243039 A1 8/2015 Holz

FOREIGN PATENT DOCUMENTS

EP 2207164 A2 7/2010
 EP 2486450 A1 8/2012
 EP 2502410 A1 9/2012
 JP 07110735 A 4/1995
 JP 2000102036 A 4/2000
 WO 2011143655 A1 11/2011
 WO 2012058175 A1 5/2012
 WO 2012064546 A1 5/2012
 WO 2012082807 A2 6/2012
 WO 2012118573 A1 9/2012
 WO 2012118575 A2 9/2012
 WO 2013043288 A2 3/2013
 WO 2013049248 A2 4/2013
 WO 2013050650 A1 4/2013
 WO 2013103825 A1 7/2013
 WO 2013110846 A1 8/2013
 WO 2013170073 A1 11/2013
 WO 2015/109145 A1 7/2015
 WO 2015109145 A9 7/2015

OTHER PUBLICATIONS

“Meet Nod, the Bluetooth Ring That Wants to Replace Your Mouse”, <http://www.pcmag.com/article2/0,2817,2457238,00.asp>, Apr. 29, 2014, 6 pages.

Walton, “Wear This Smartphone Controller on Your Finger”, <http://www.webpronews.com/wear-this-smartphone-controller-on-your-finger-2012-06>, 5 pages.

“Audio Spotlight”, by Holosonics, <http://www.holosonics.com>, accessed Jul. 3, 2014, 3 pages.

“Sound from Ultrasound”, Wikipedia entry, http://en.m.wikipedia.org/wiki/Sound_from_ultrasound, accessed Jul. 3, 2014, 13 pages.

Allison, et al., ““Tolerance of Temporal Delay in Virtual Environments””, VR '01 Proceedings of the Virtual Reality 2001 Conference (VR'01), Mar. 2001, 2-8.

Lang, et al., ““Nonlinear Disparity Mapping for Stereoscopic 3D””, Jul. 2010, 1-10.

Logbar Inc., “Ring: Shortcut Everything”, <https://www.kickstarter.com/projects/1761670738/ring-shortcut-everything>, Jun. 2012, 1 page.

Mastandrea, “Mycestro, The Next Generation 3D Mouse”, <https://www.kickstarter.com/projects/mycestro/mycestrotm-the-next-generation-3d-mouse>, Dec. 2014, 22 pages.

PCT/US2015/011697, “International Application Serial No. PCT/US2015/011697, International Search Report and Written Opinion mailed Apr. 13, 2015”, Osterhout Group, Inc., 14 pages.

Schedwill, “Bidirectional OLED Microdisplay”, Fraunhofer Research Institution for Organics, Materials and Electronic Device Comedd, Apr. 11, 2014, 2 pages.

Vogel, et al., “Data glasses controlled by eye movements”, Information and communication, Fraunhofer-Gesellschaft, Sep. 22, 2013, 2 pages.

Ye, et al., “High Quality Voice Morphing”, 2004, I-9-I-11.

“Help Requested! Comments and input needed for new coaxial UAS—DIY Drones”, <http://diydrones.com/profiles/blogs/help-requested-comments-and-input-needed-for-new-coaxial-uas>, Mar. 5, 2015, pp. 1-3.

“How Ascent AeroSystems is looking to add to your outdoor adventure”, <http://droneblog.com/2015/03/23/how-ascent-aerosystems-is-looking-to-add-to-your-outdoor-adventure/#!prettyPhoto>, Mar. 23, 2015, pp. 1-10.

“Lightbeny”, <https://web.archive.org/web/20131201194408/http://lightberry.eu/>, Dec. 1, 2013, 11 Pages.

Huang, “Image Completion Using Planar Structure Guidelines”, ACM Transactions on Graphics, vol. 33, No. 4, Article 129, Jul. 2014, pp. 1-10.

Janin, et al., “Calibration of Head-Mounted Displays for Augmented Reality Applications”, 1993, 10 Pages.

PCT/US2015/026704, “International Search Report and Written Opinion”, 15 pages.

PCT/US2015/035192, “International Application Serial No. PCT/US2015/035192, International Search Report and Written Opinion mailed Sep. 3, 2015”, Osterhout Group, Inc., 11 pages.

US 8,743,465, 06/2014, Totani et al. (withdrawn)

US 8,792,178, 07/2014, Totani et al. (withdrawn)

* cited by examiner

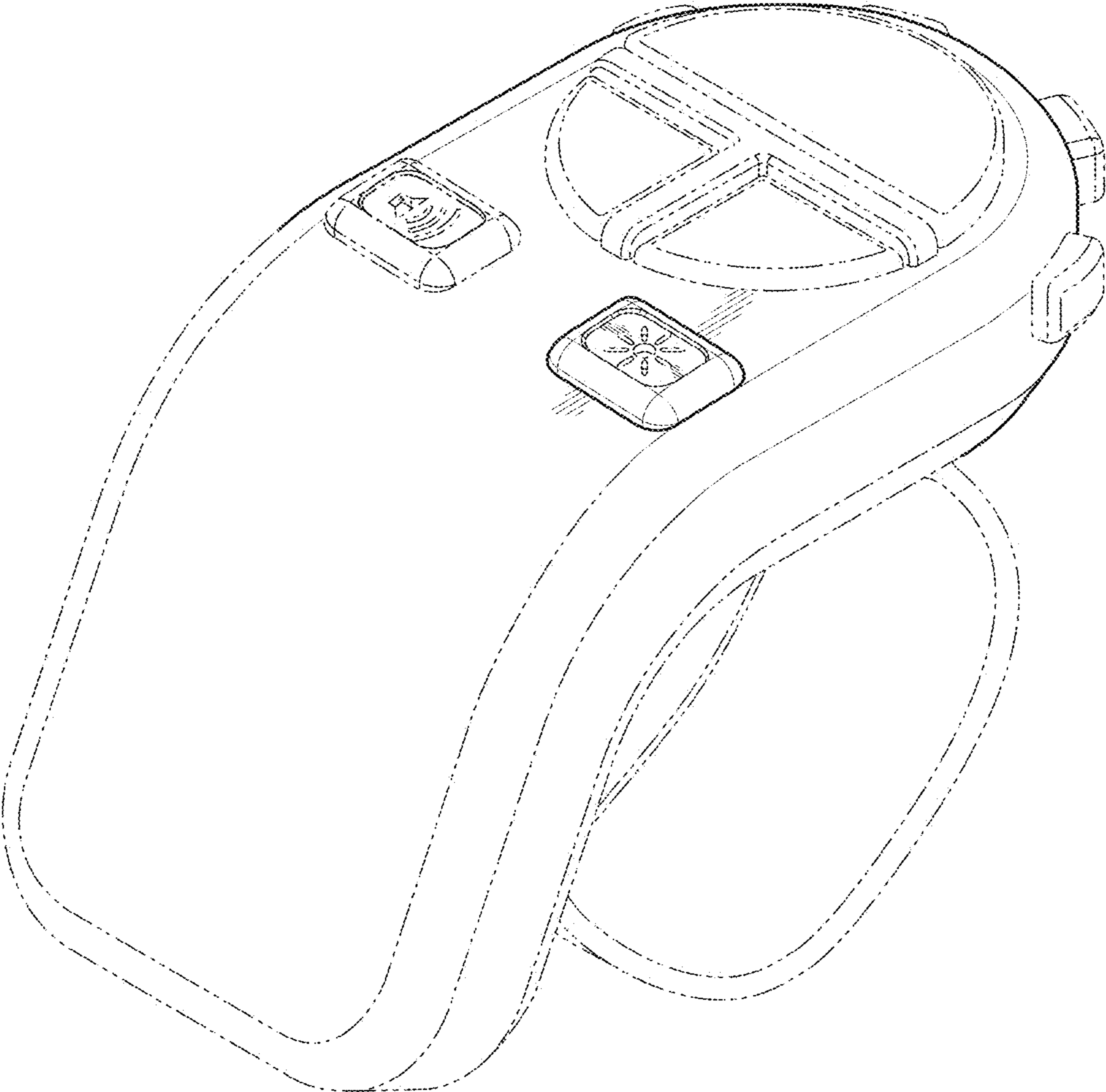


FIG. 1

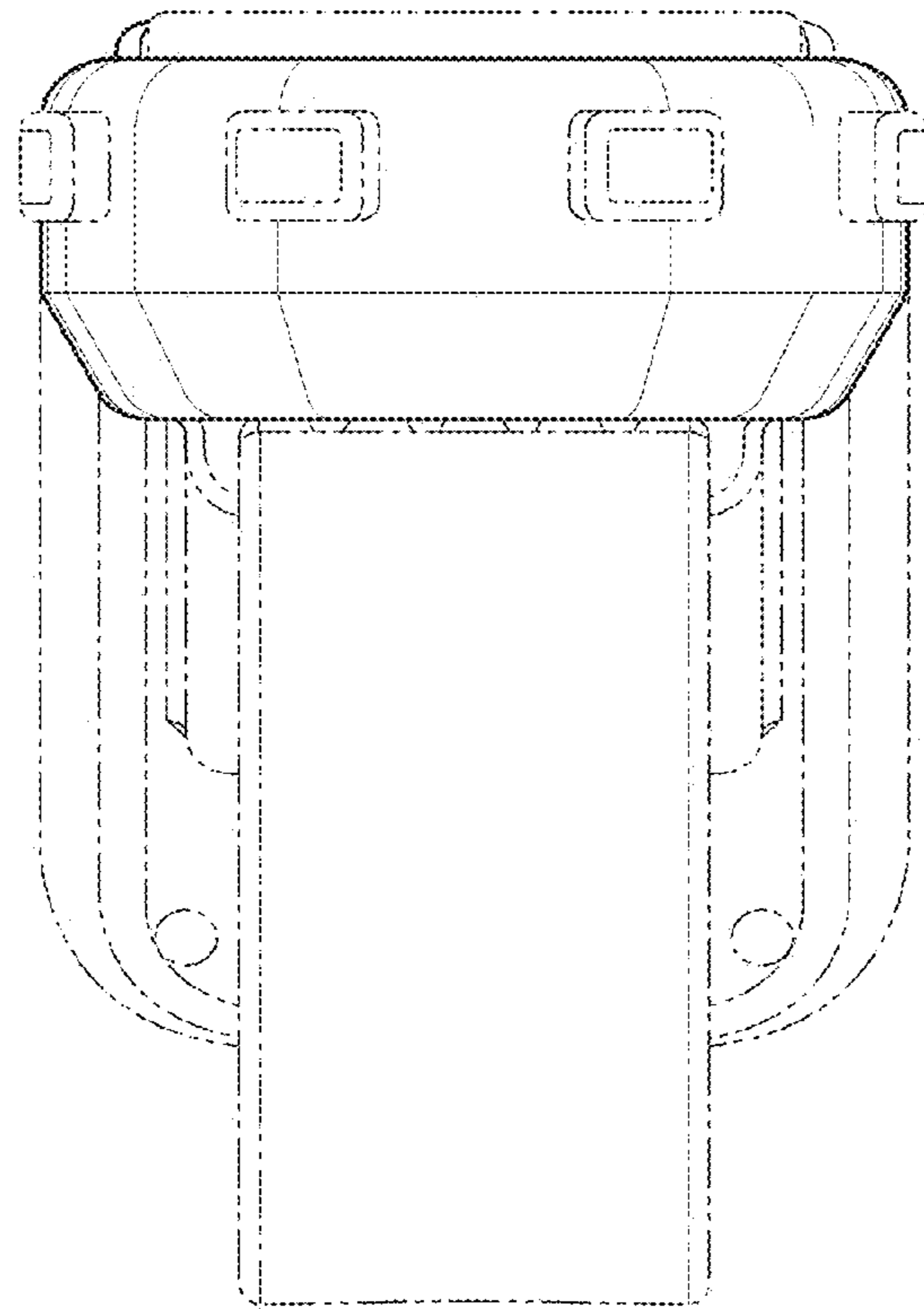


FIG. 2

FIG. 3

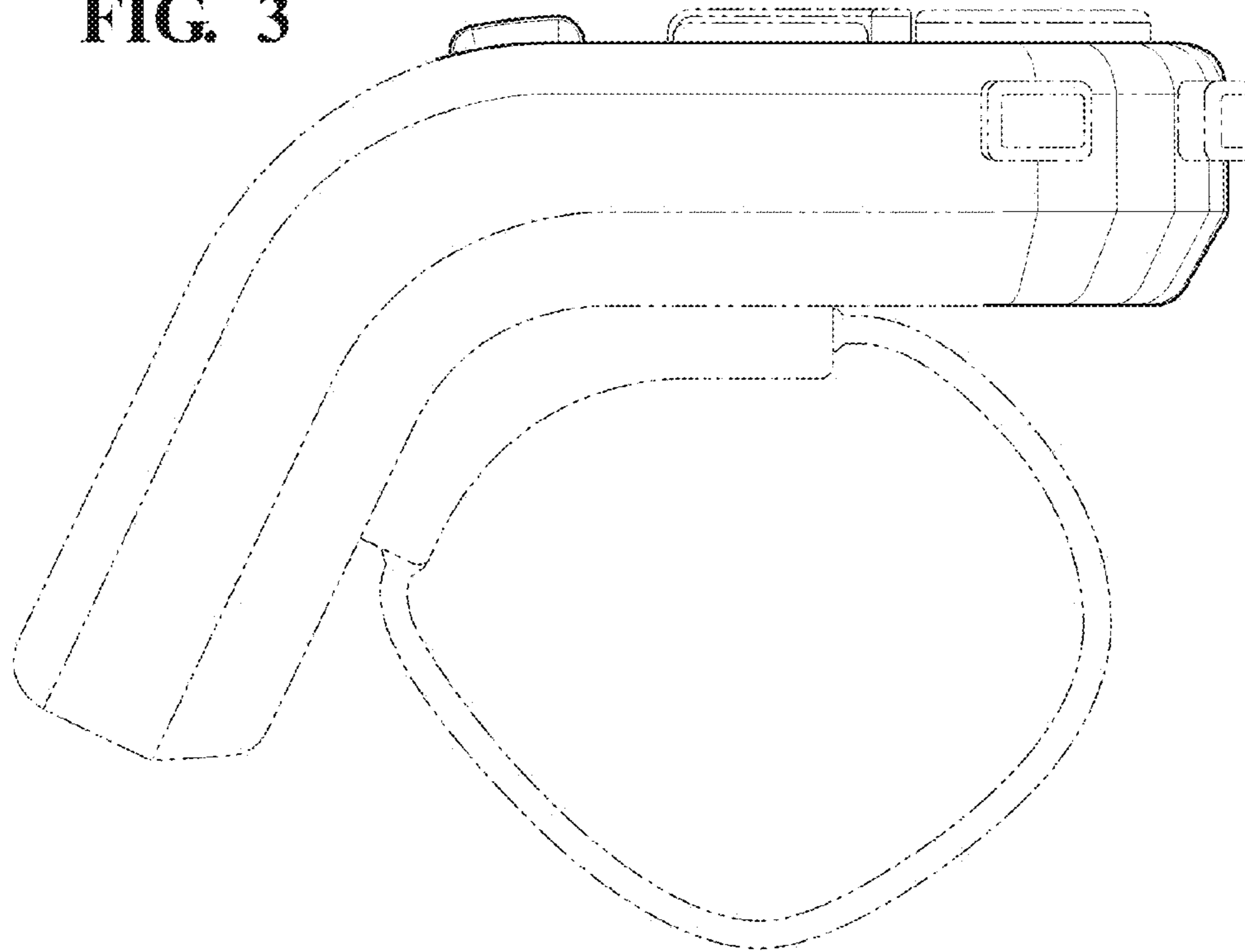


FIG. 4

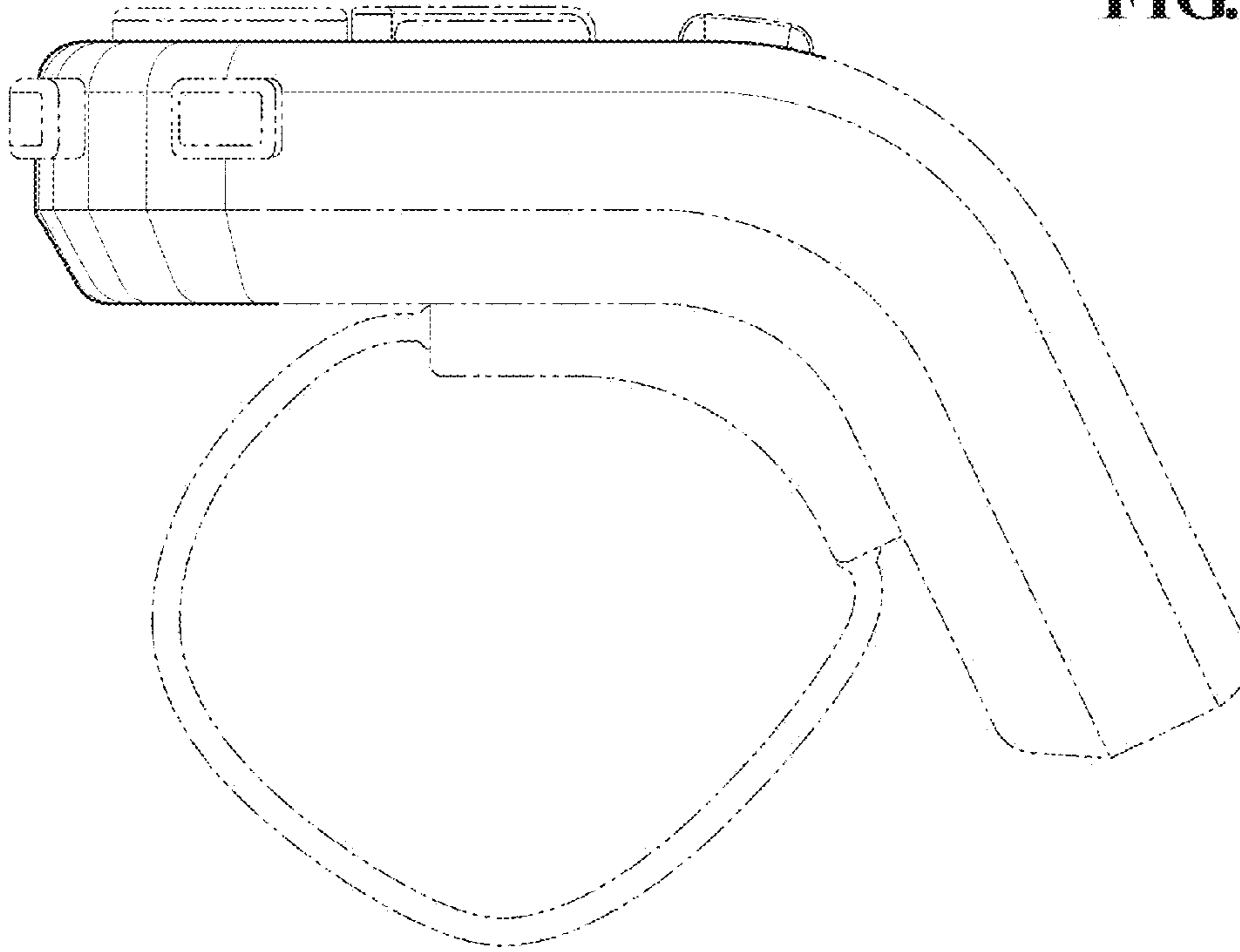


FIG. 5

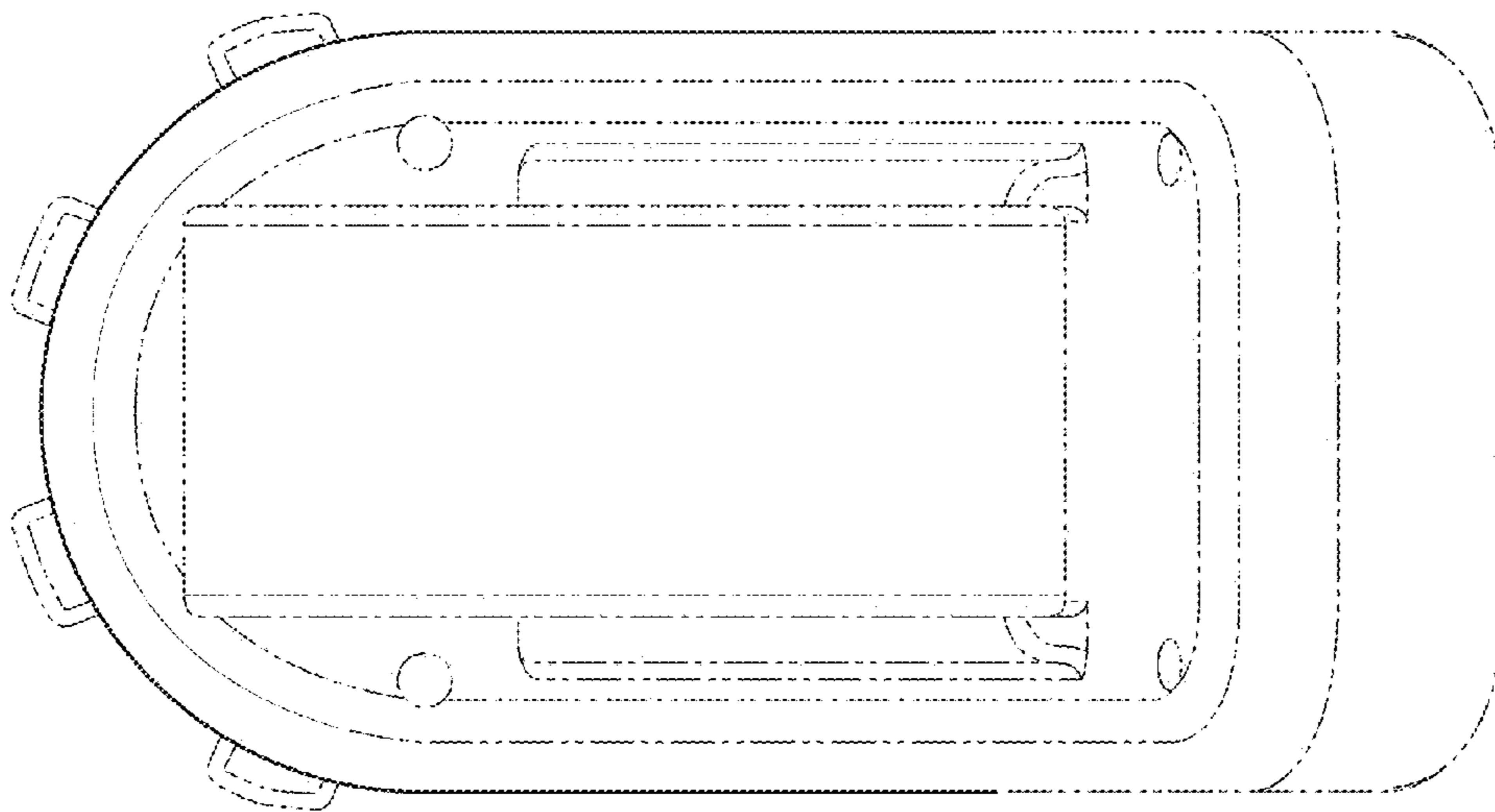


FIG. 6

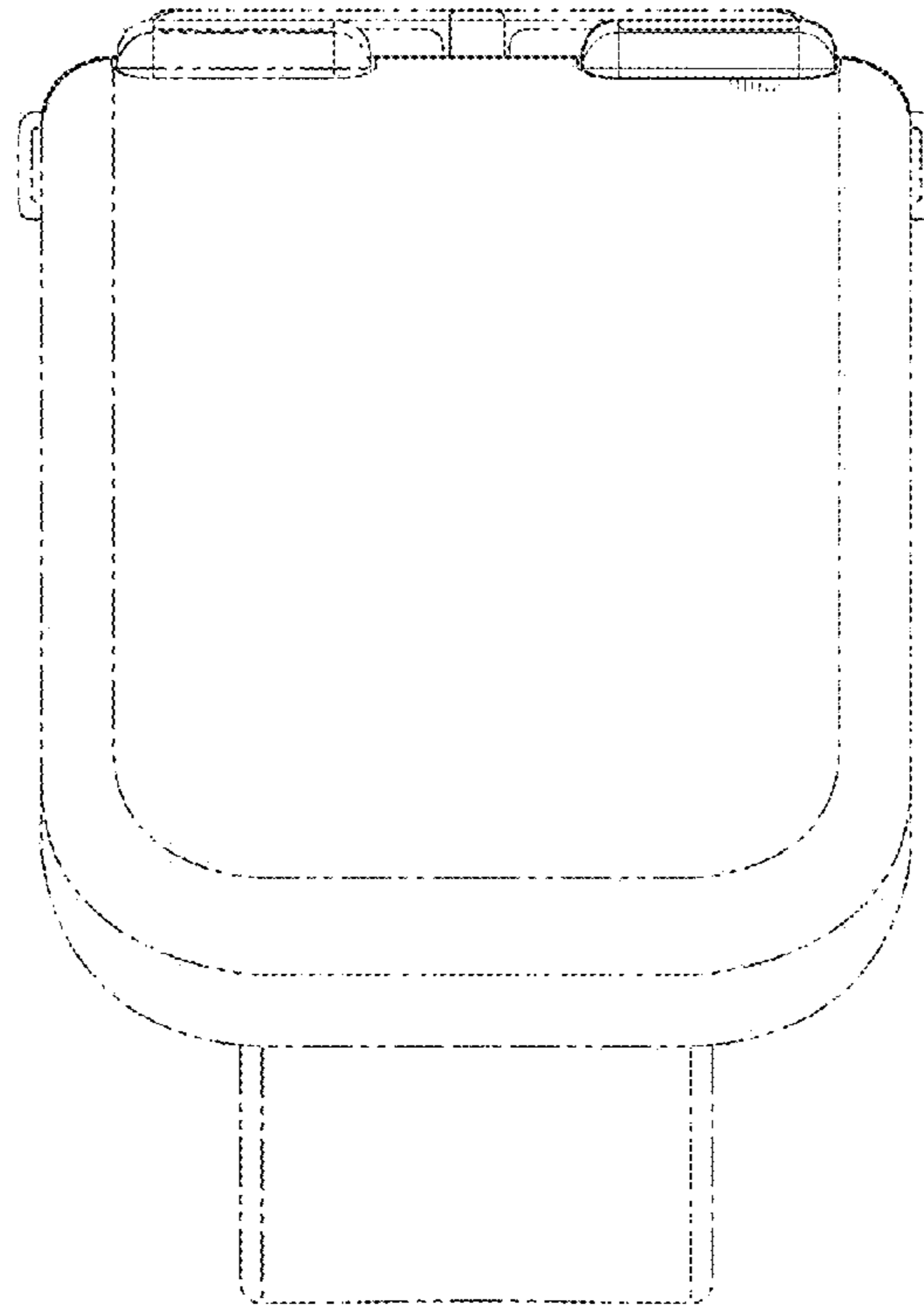
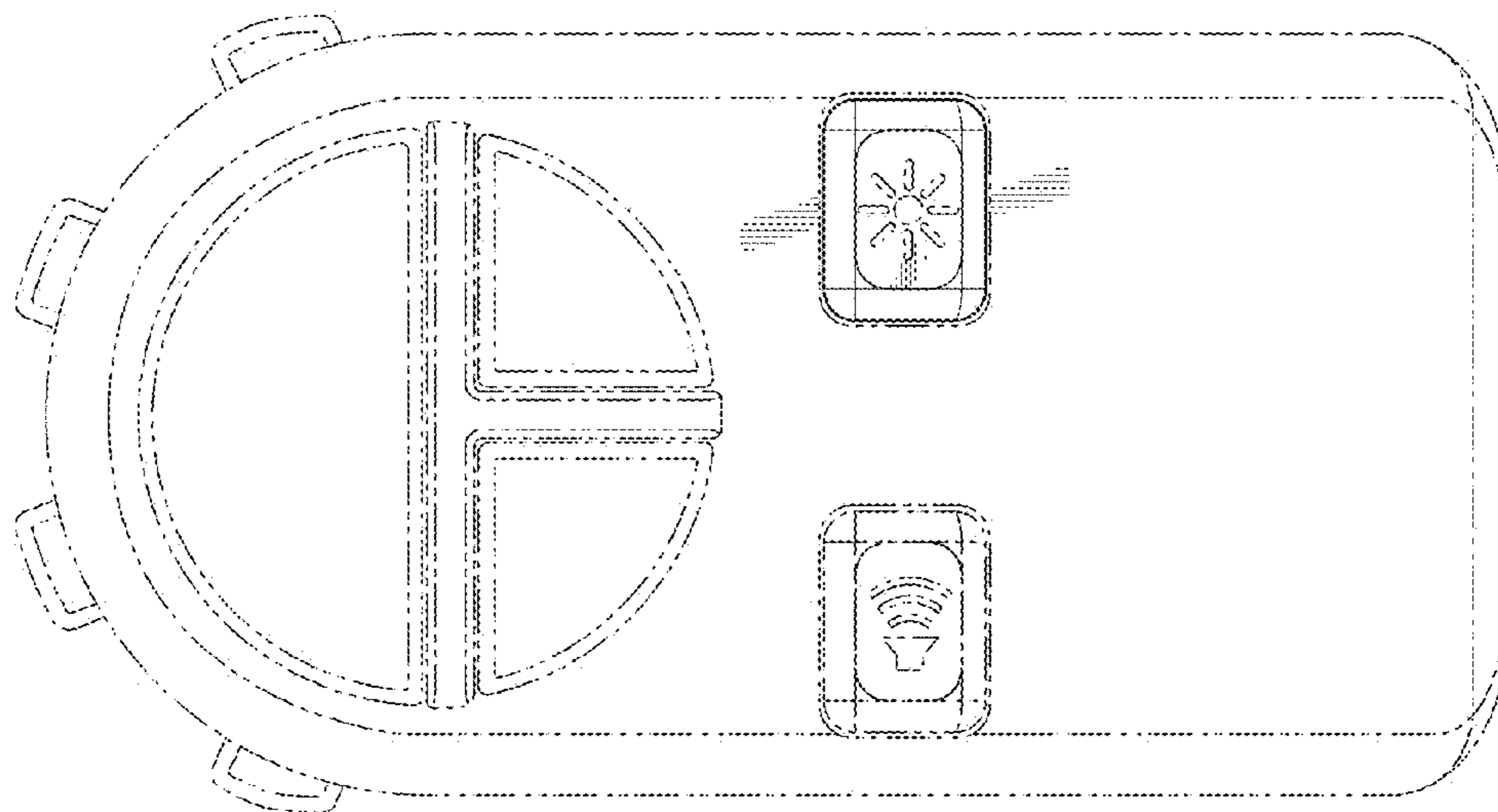


FIG. 7



UNITED STATES PATENT AND TRADEMARK OFFICE
CERTIFICATE OF CORRECTION

PATENT NO. : D753,114 S
APPLICATION NO. : 29/513677
DATED : April 5, 2016
INVENTOR(S) : Ralph F. Osterhout

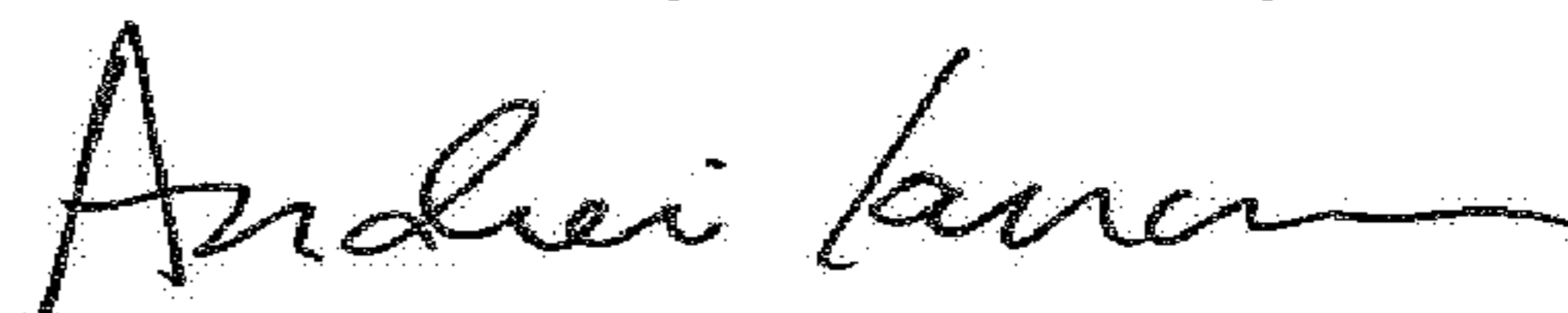
Page 1 of 1

It is certified that error appears in the above-identified patent and that said Letters Patent is hereby corrected as shown below:

On the Title Page

On the page 4, in Column 2, under "Other Publications", Line 27, delete "'Lightbeny,'" and insert -- "Lightberry", --, therefor.

Signed and Sealed this
Twentieth Day of February, 2018



Andrei Iancu
Director of the United States Patent and Trademark Office