



US00D753112S

(12) **United States Design Patent**  
**Fei et al.**

(10) **Patent No.:** **US D753,112 S**  
(45) **Date of Patent:** **\*\* Apr. 5, 2016**

(54) **HEADSET**

(71) Applicant: **USENS, INC.**, San Jose, CA (US)  
(72) Inventors: **Yue Fei**, San Jose, CA (US); **Anli He**,  
San Jose, CA (US); **Lian Zhu**, Zhejiang  
(CN); **Zhichuan Qian**, Zhejiang (CN)

(73) Assignee: **USENS, INC.**, San Jose, CA (US)

(\*\*) Term: **14 Years**

(21) Appl. No.: **29/519,132**

(22) Filed: **Mar. 2, 2015**

(51) **LOC (10) Cl.** ..... **14-02**

(52) **U.S. Cl.**  
USPC ..... **D14/372**

(58) **Field of Classification Search**  
USPC ..... D14/372, 496, 432, 371, 125, 126, 129,  
D14/299; D16/300-342; 351/158, 153, 144;  
345/7-9, 905; 455/344; 348/115, 53,  
348/121, 739  
CPC ..... G02B 27/017; G02B 27/0158; G02B  
27/0161; G02B 27/0181; G02B 27/0185;  
G02B 27/0189  
See application file for complete search history.

(56) **References Cited**

**U.S. PATENT DOCUMENTS**

D719,953 S	*	12/2014	Nokuo	.....	D14/372
D732,028 S	*	6/2015	Kim	.....	D14/372
D739,855 S	*	9/2015	Bosveld	.....	D14/372
D740,810 S	*	10/2015	Bosveld	.....	D14/372
D740,811 S	*	10/2015	Bosveld	.....	D14/372
D740,814 S	*	10/2015	Bosveld	.....	D14/372
D740,815 S	*	10/2015	Bosveld	.....	D14/372

D741,323 S	*	10/2015	Bosveld	.....	D14/372
D741,324 S	*	10/2015	Bosveld	.....	D14/372
D741,325 S	*	10/2015	Bosveld	.....	D14/372
D741,327 S	*	10/2015	Reznik	.....	D14/372
D741,858 S	*	10/2015	Bosveld	.....	D14/372
D741,860 S	*	10/2015	Bosveld	.....	D14/372

\* cited by examiner

*Primary Examiner* — Austin Murphy

(74) *Attorney, Agent, or Firm* — Finnegan, Henderson,  
Farabow, Garrett & Dunner, LLP

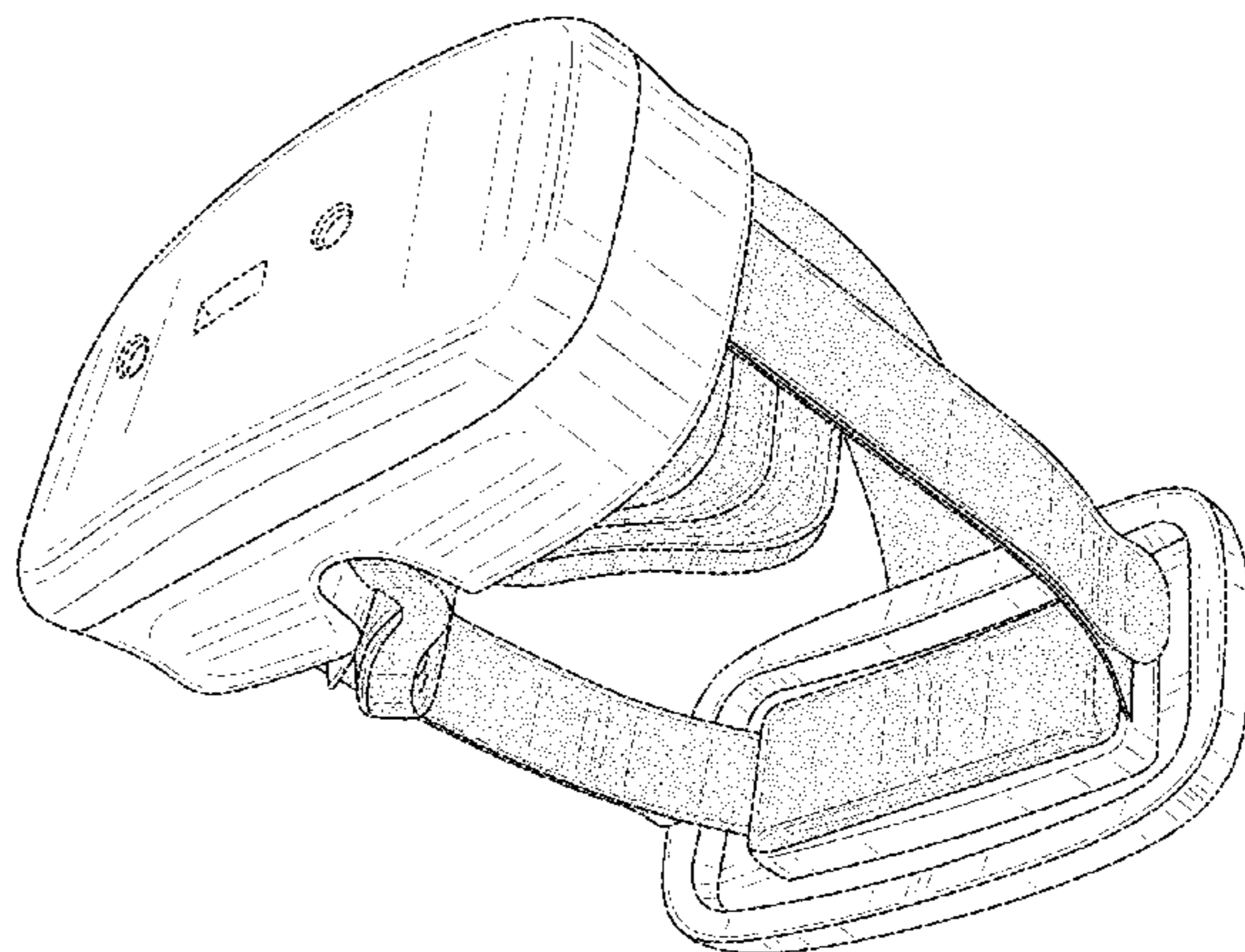
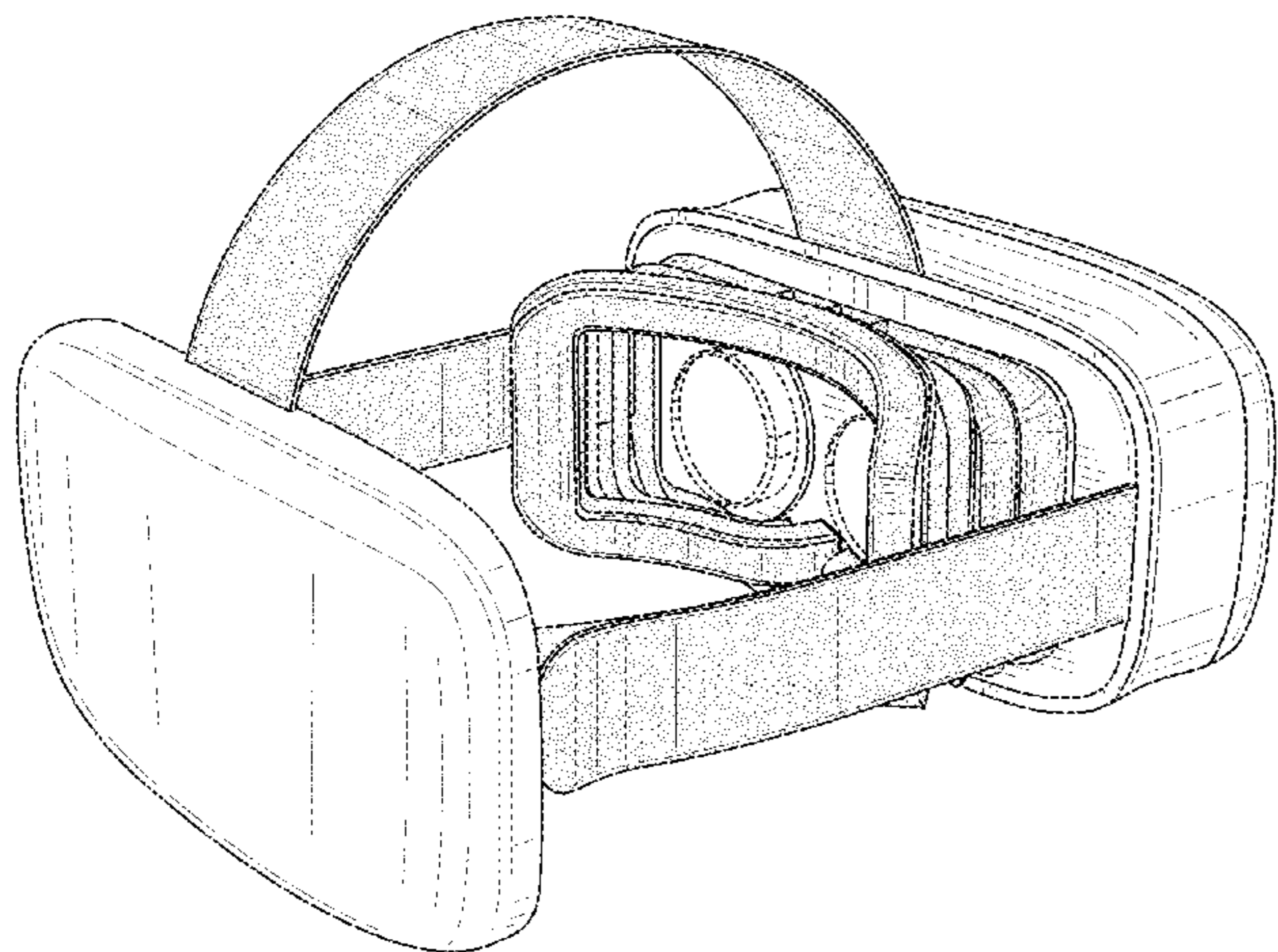
(57) **CLAIM**

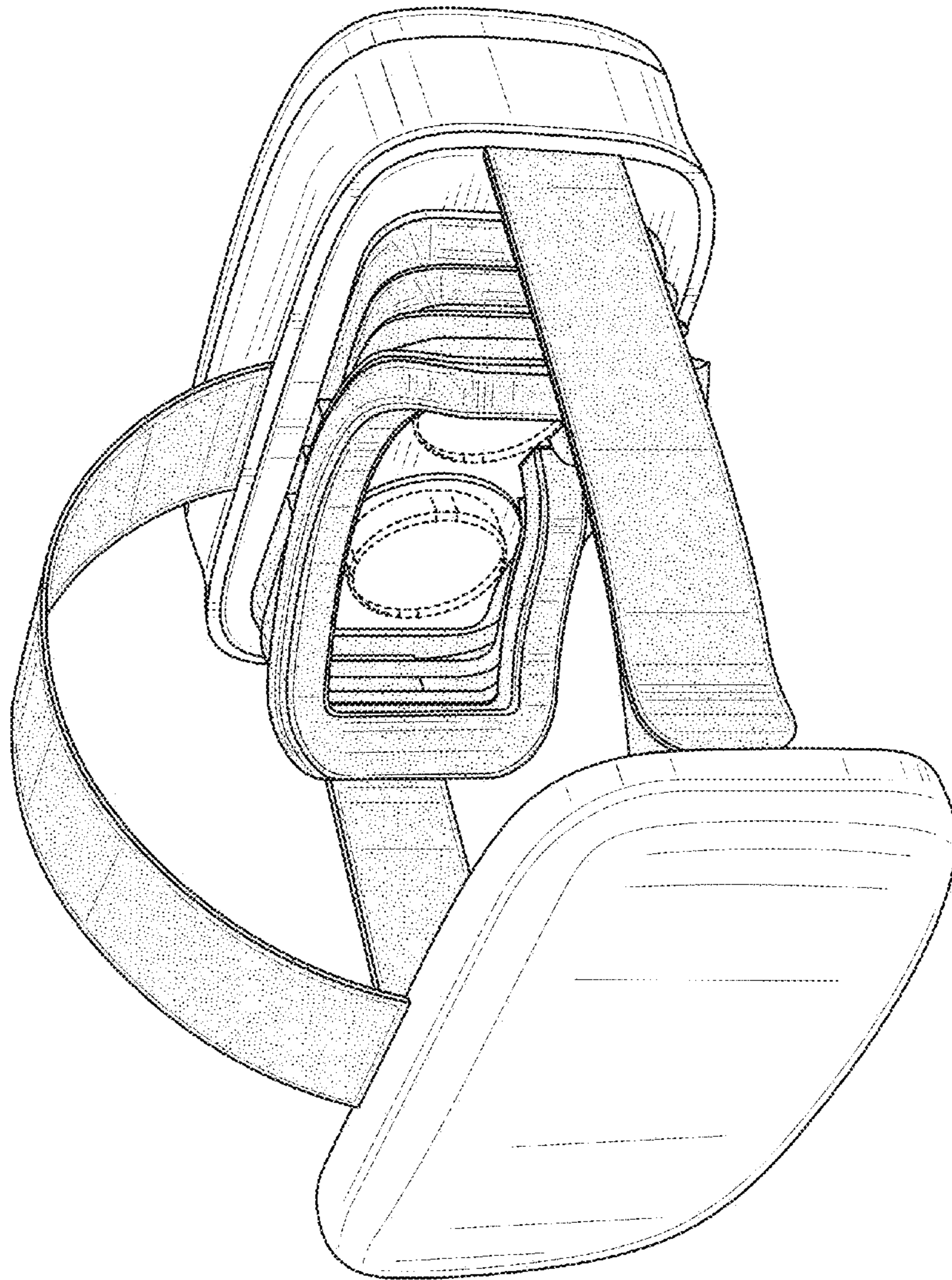
We claim the ornamental design for the headset, as shown and described.

**DESCRIPTION**

FIG. 1 is a rear, top, left perspective view of a headset in an open configuration, showing our new design; FIG. 2 is front, bottom, right perspective view thereof; FIG. 3 is a right side view thereof; FIG. 4 is a left side view of thereof; FIG. 5 is a front elevation view thereof; FIG. 6 is a rear elevation view thereof; FIG. 7 is a top plan view thereof; FIG. 8 is a bottom plan view thereof; FIG. 9 is a front, top, right perspective view of the headset shown in FIG. 1 in a closed configuration; FIG. 10 is a front elevation view thereof; FIG. 11 is a rear elevation view thereof; FIG. 12 is a right side view thereof; FIG. 13 is a left side view thereof; FIG. 14 is a top plan view thereof; and, FIG. 15 is a bottom plan view thereof. The broken lines shown in the drawings illustrate portions of the headset that form no part of the claimed design.

**1 Claim, 14 Drawing Sheets**





**FIG. 1**

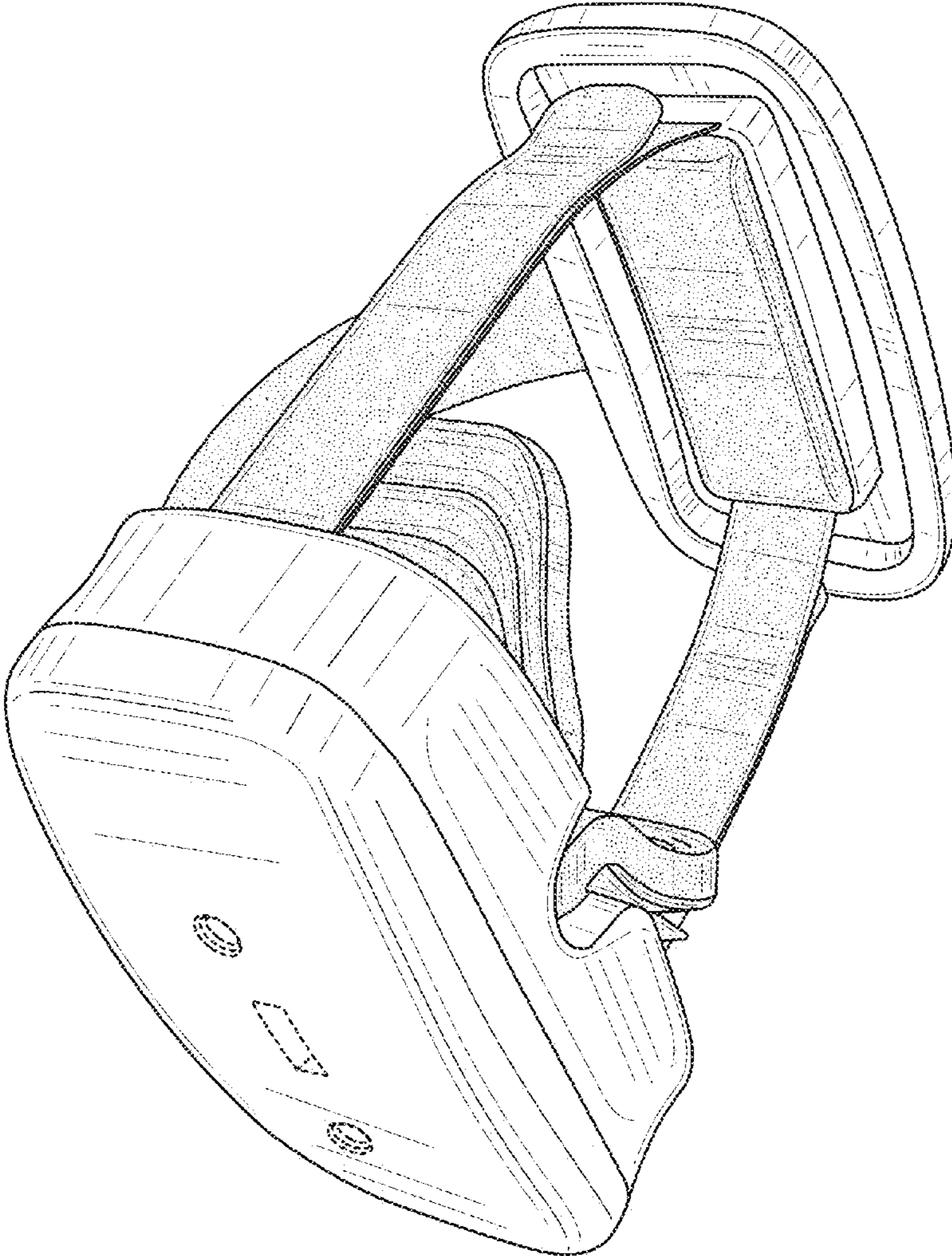


FIG. 2

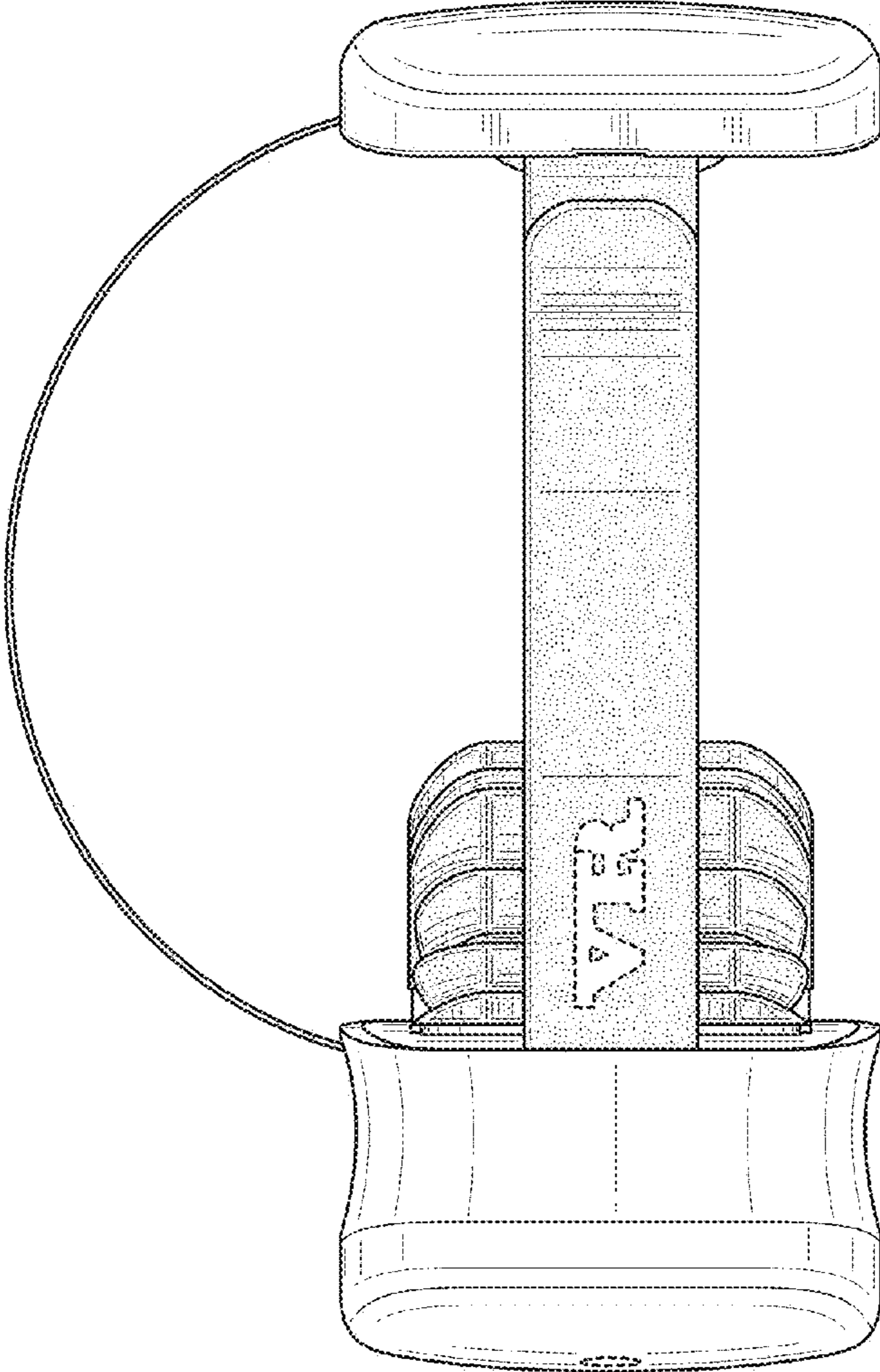
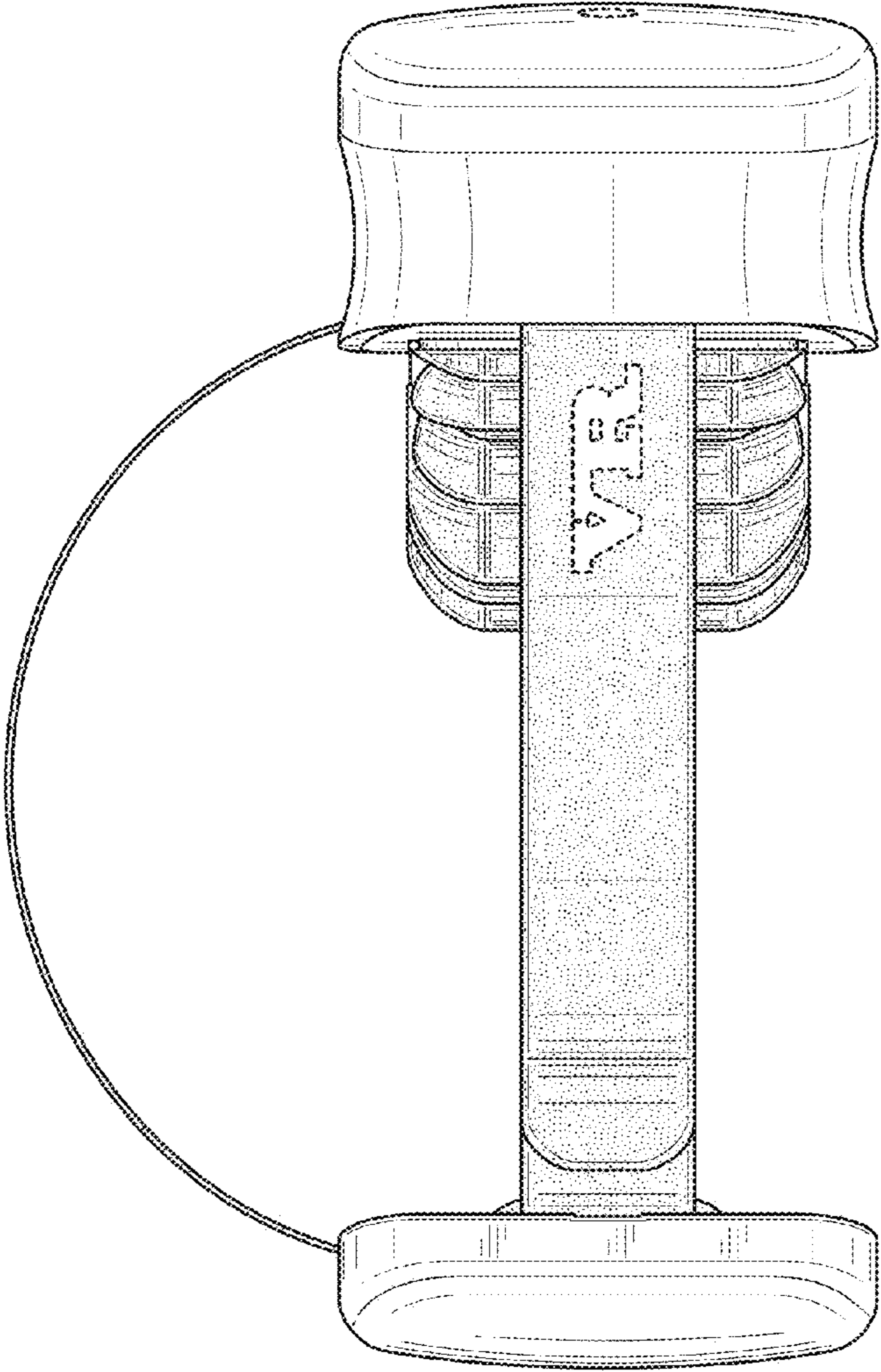
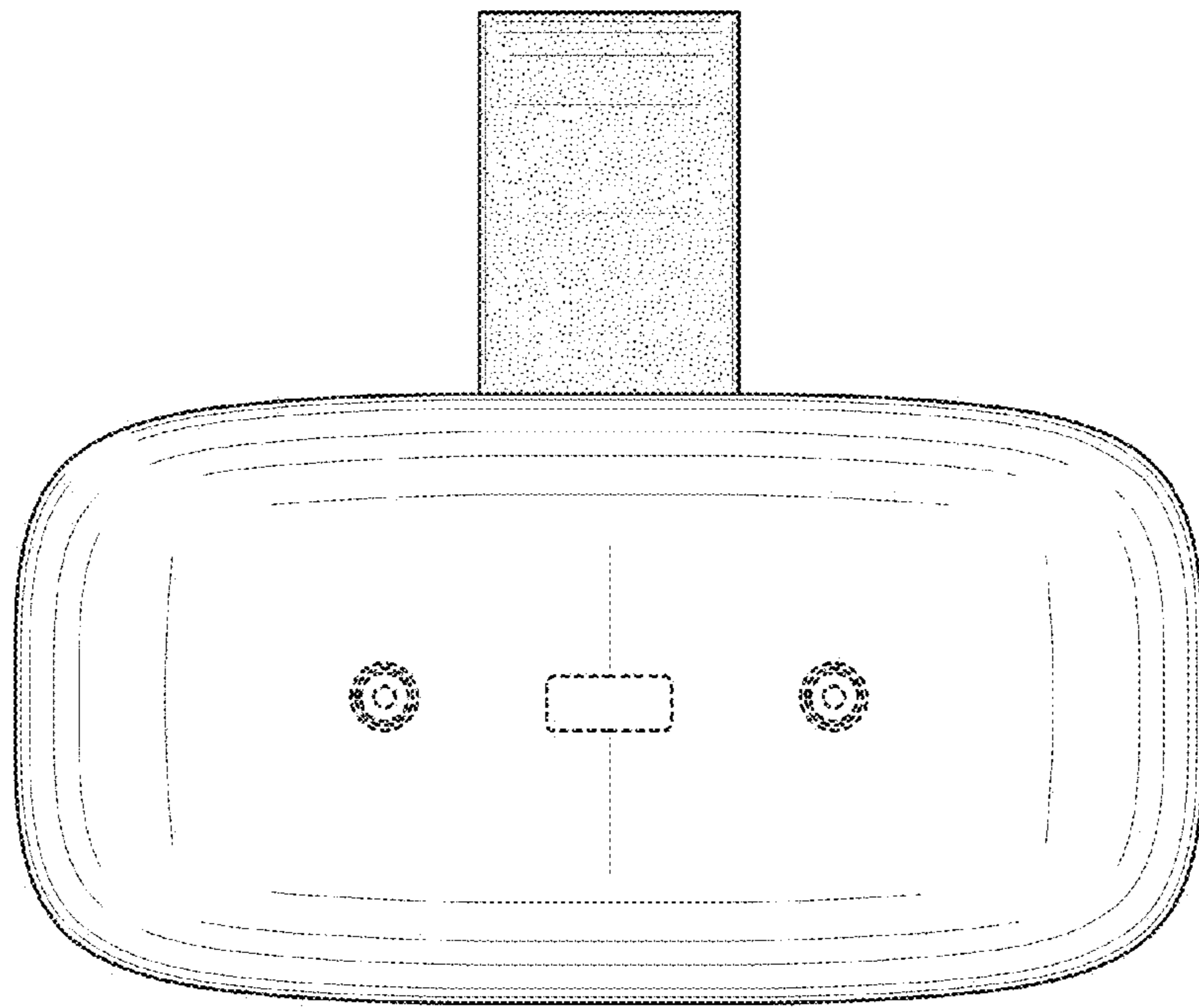


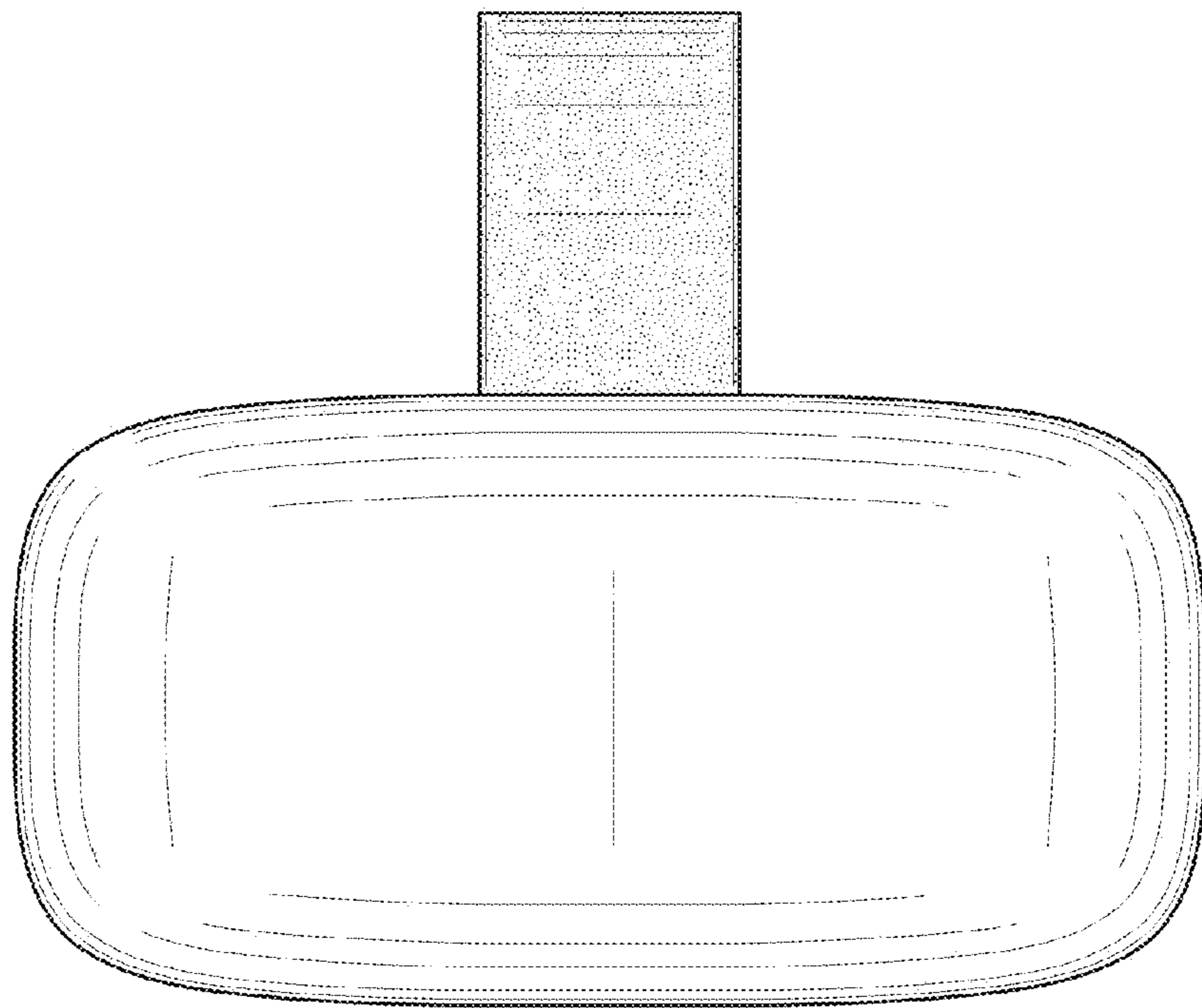
FIG. 3



**FIG. 4**



**FIG. 5**



**FIG. 6**

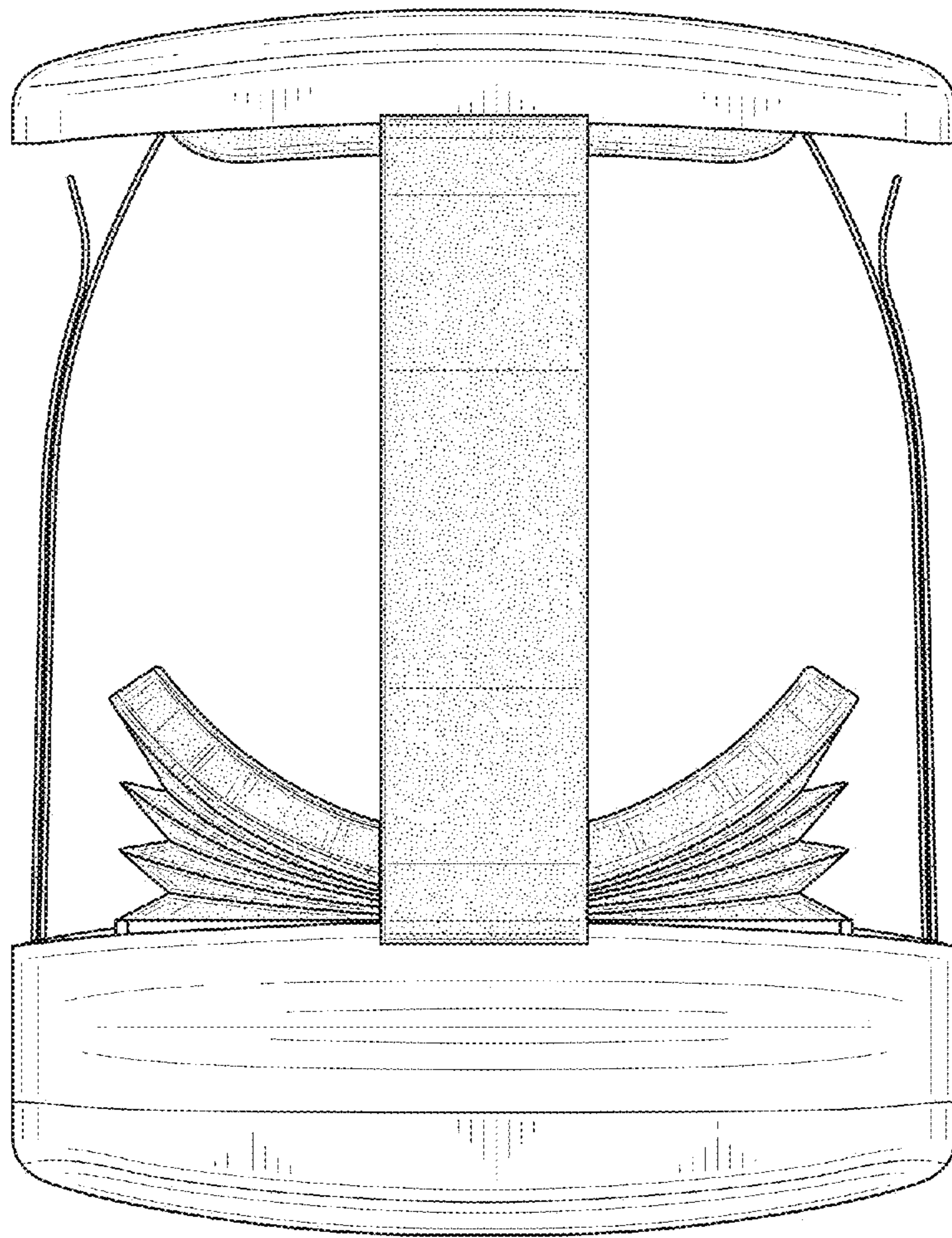


FIG. 7



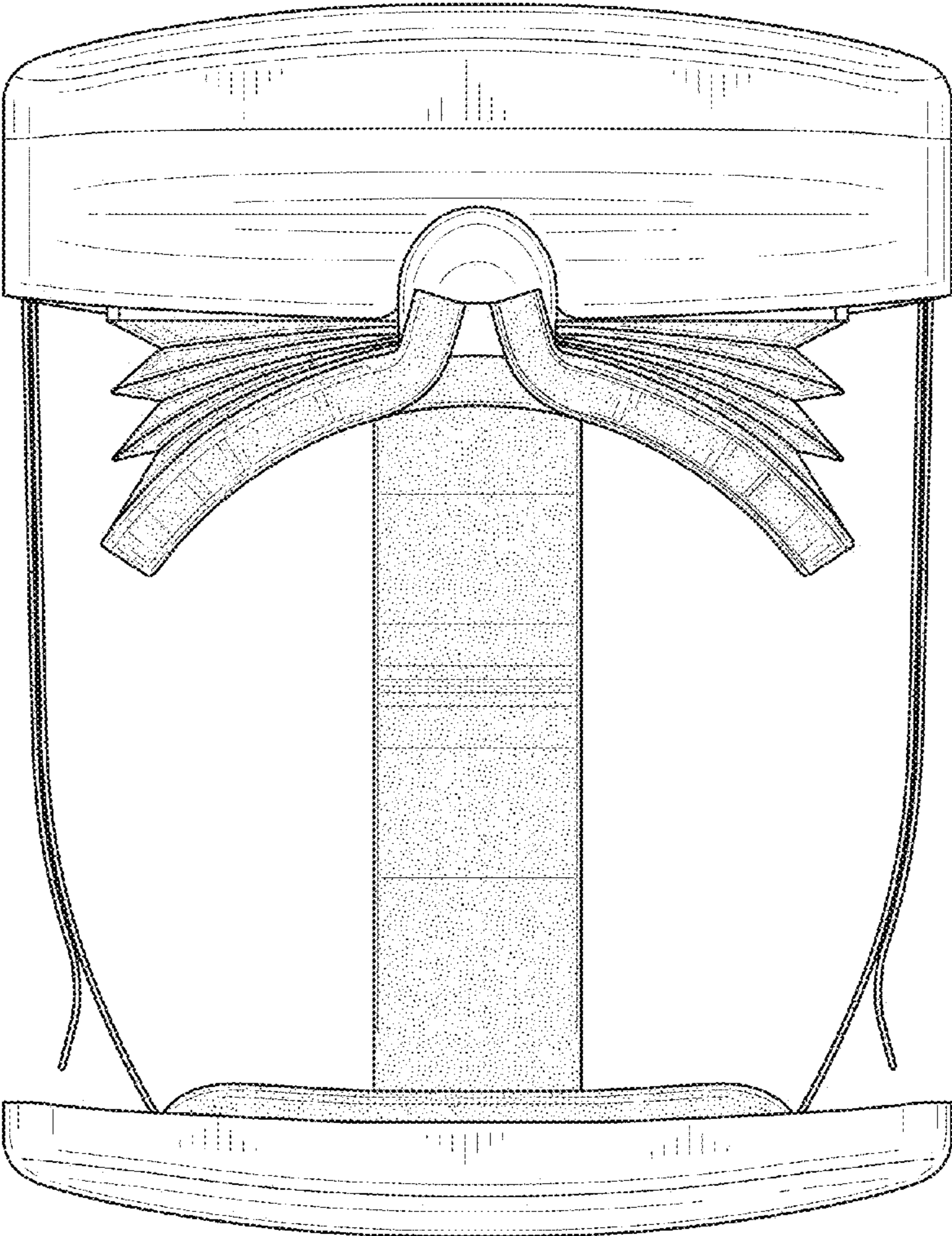
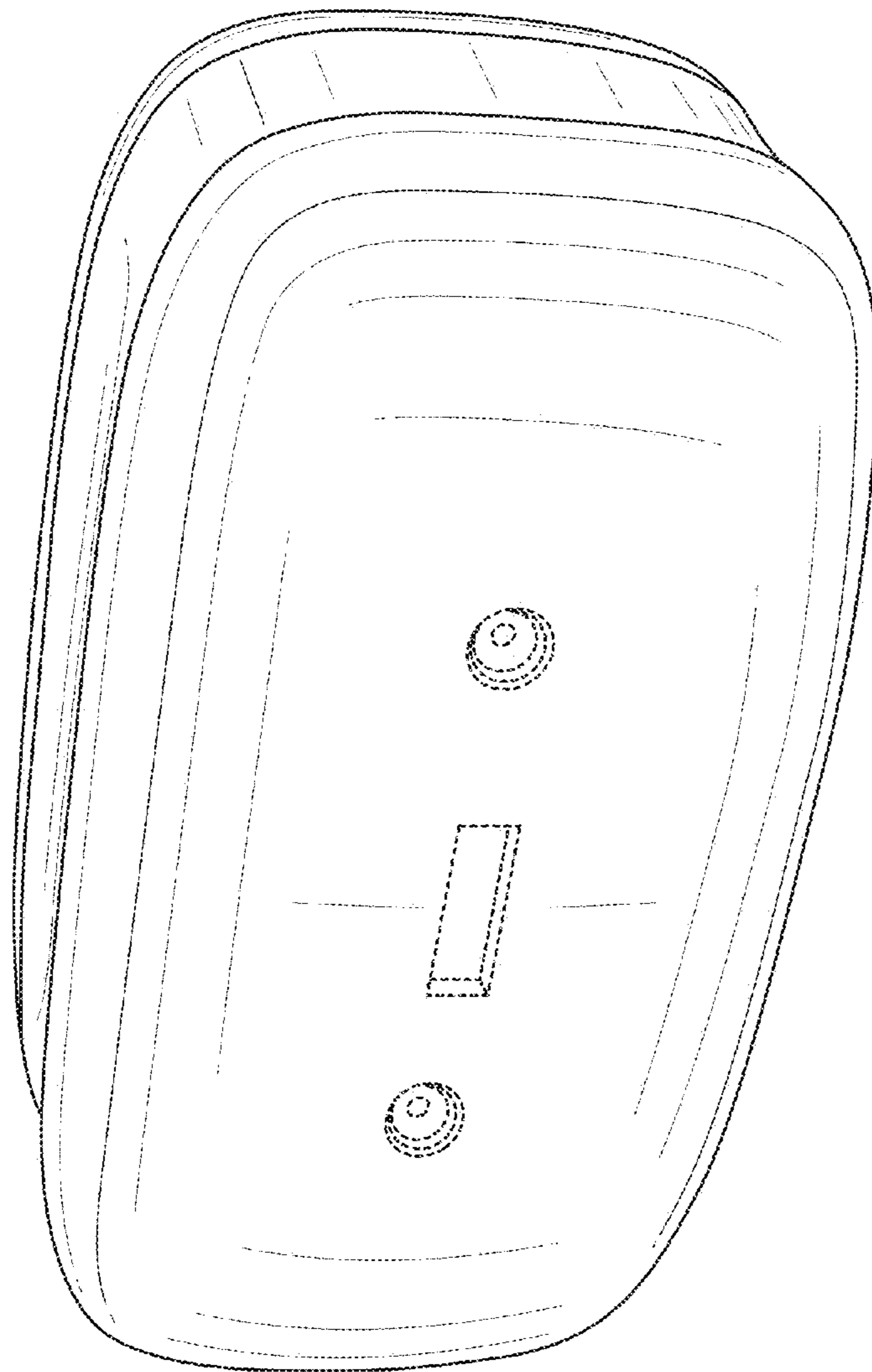
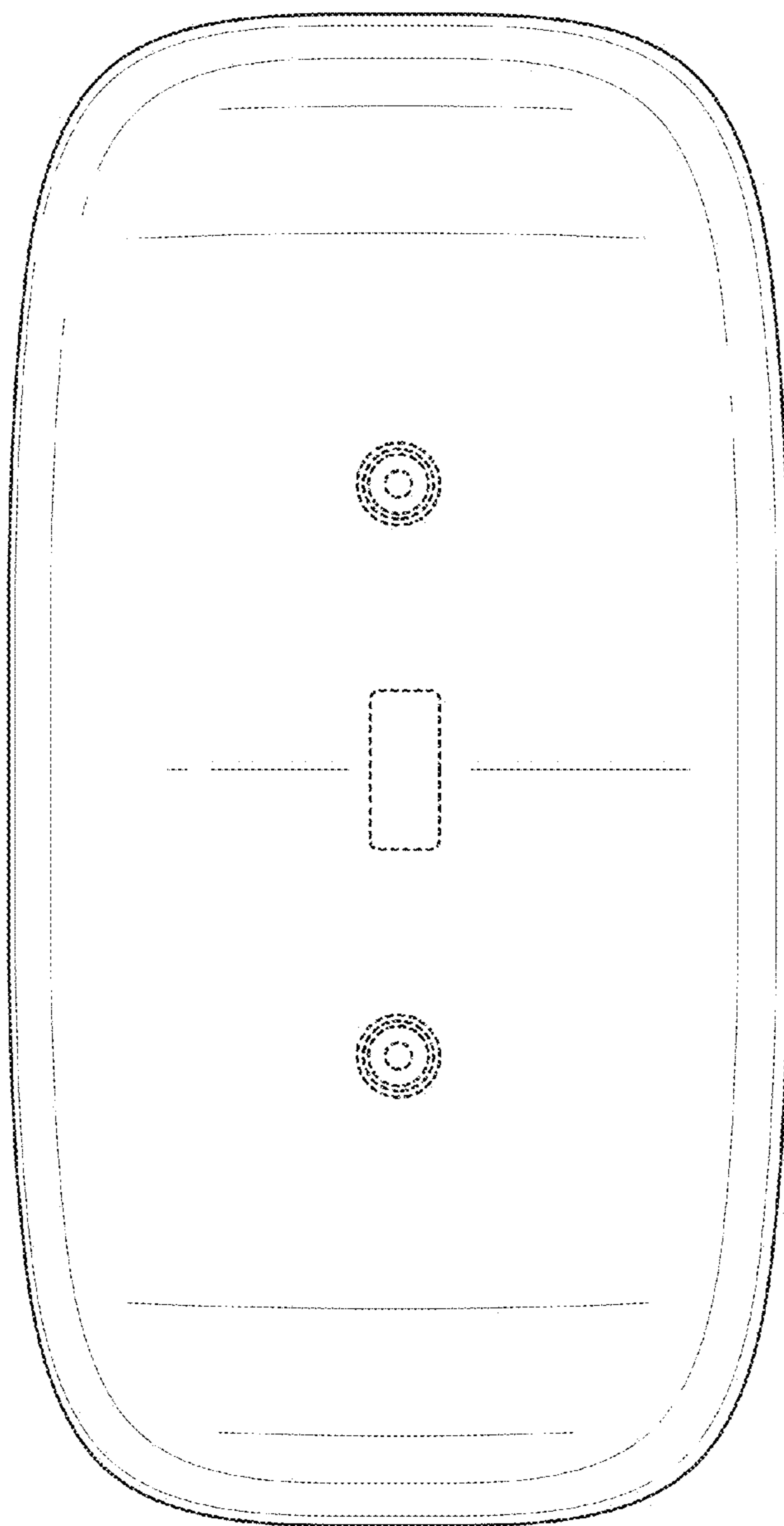


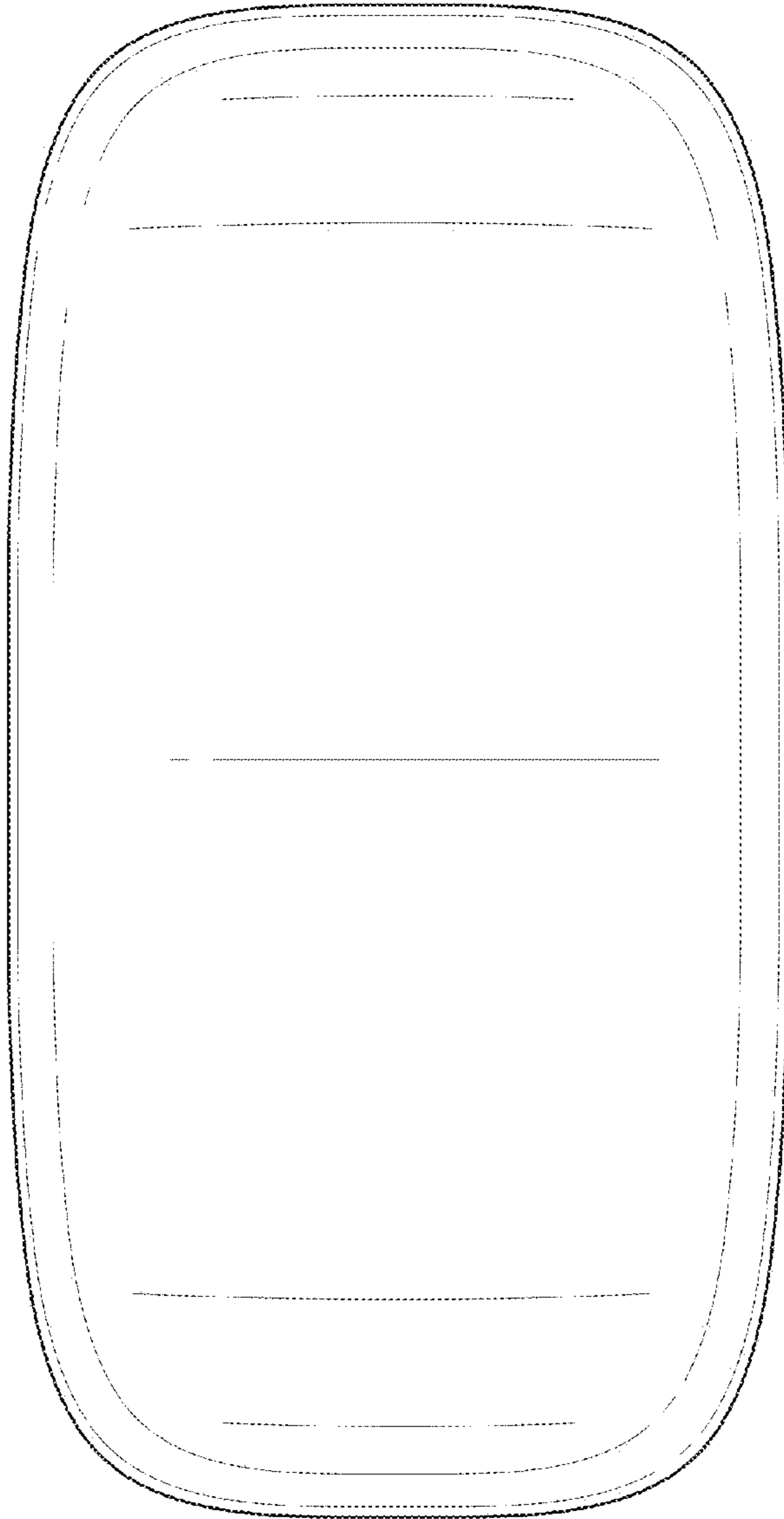
FIG. 8



**FIG. 9**



**FIG. 10**



**FIG. 11**

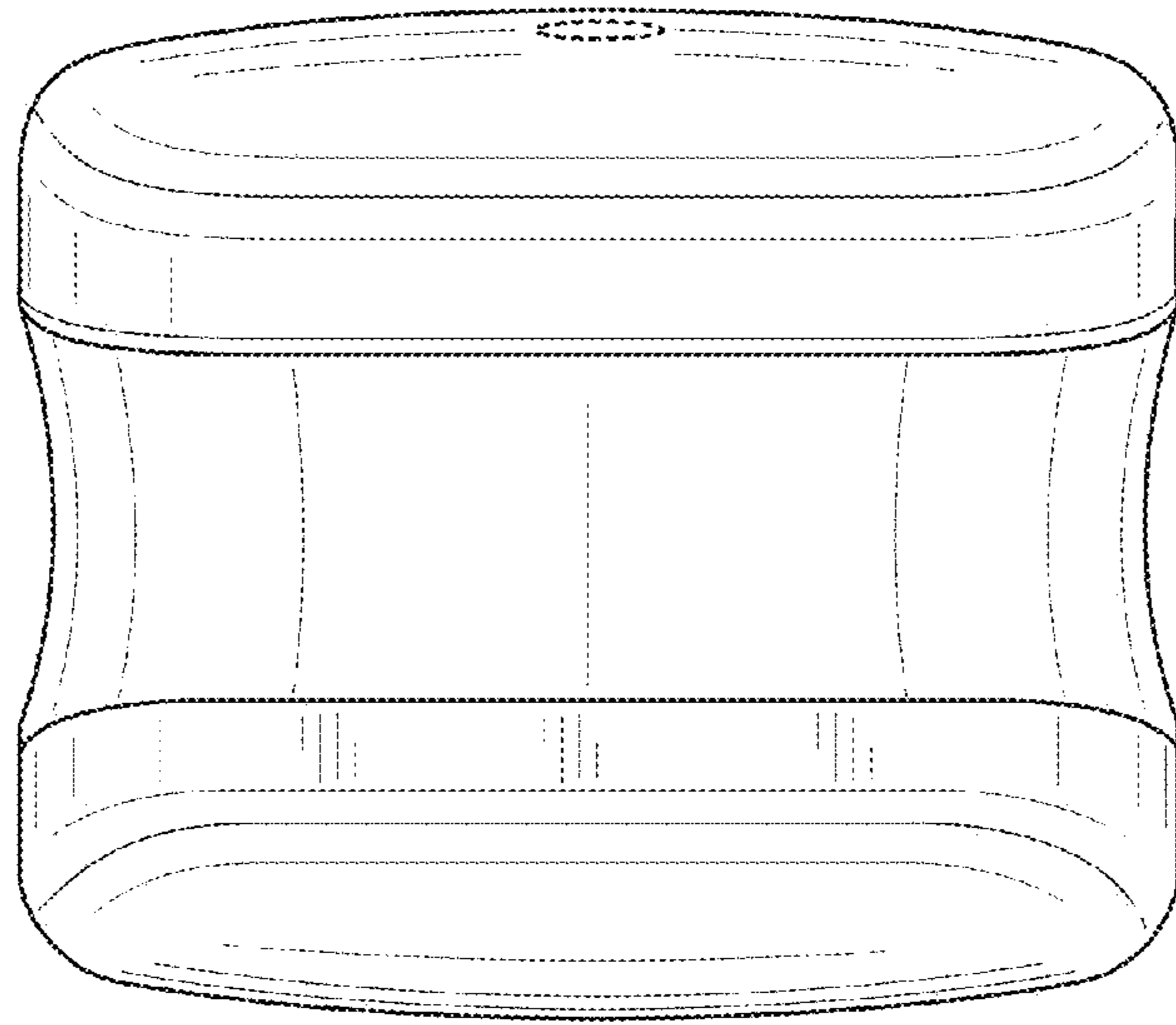


FIG. 13

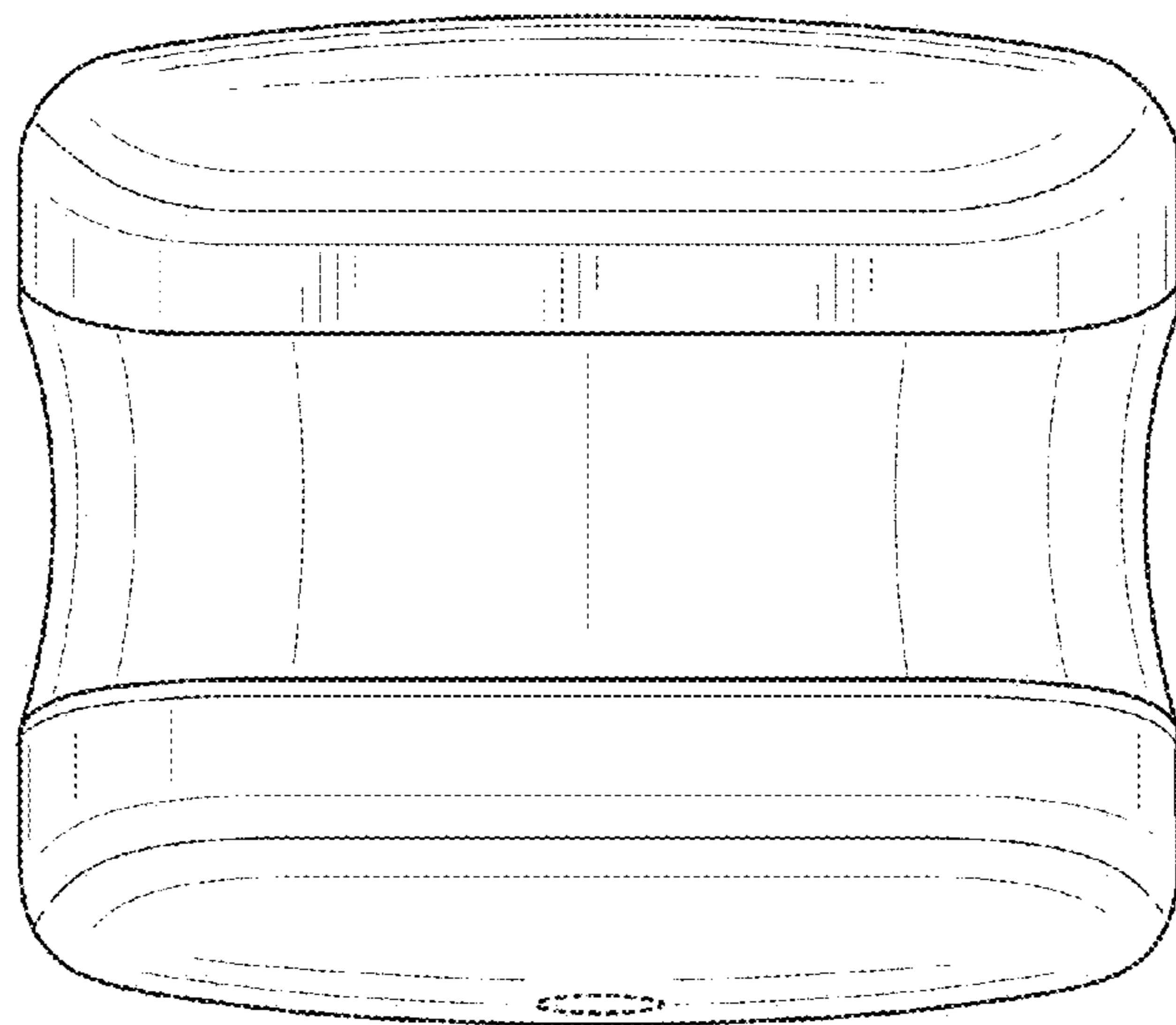
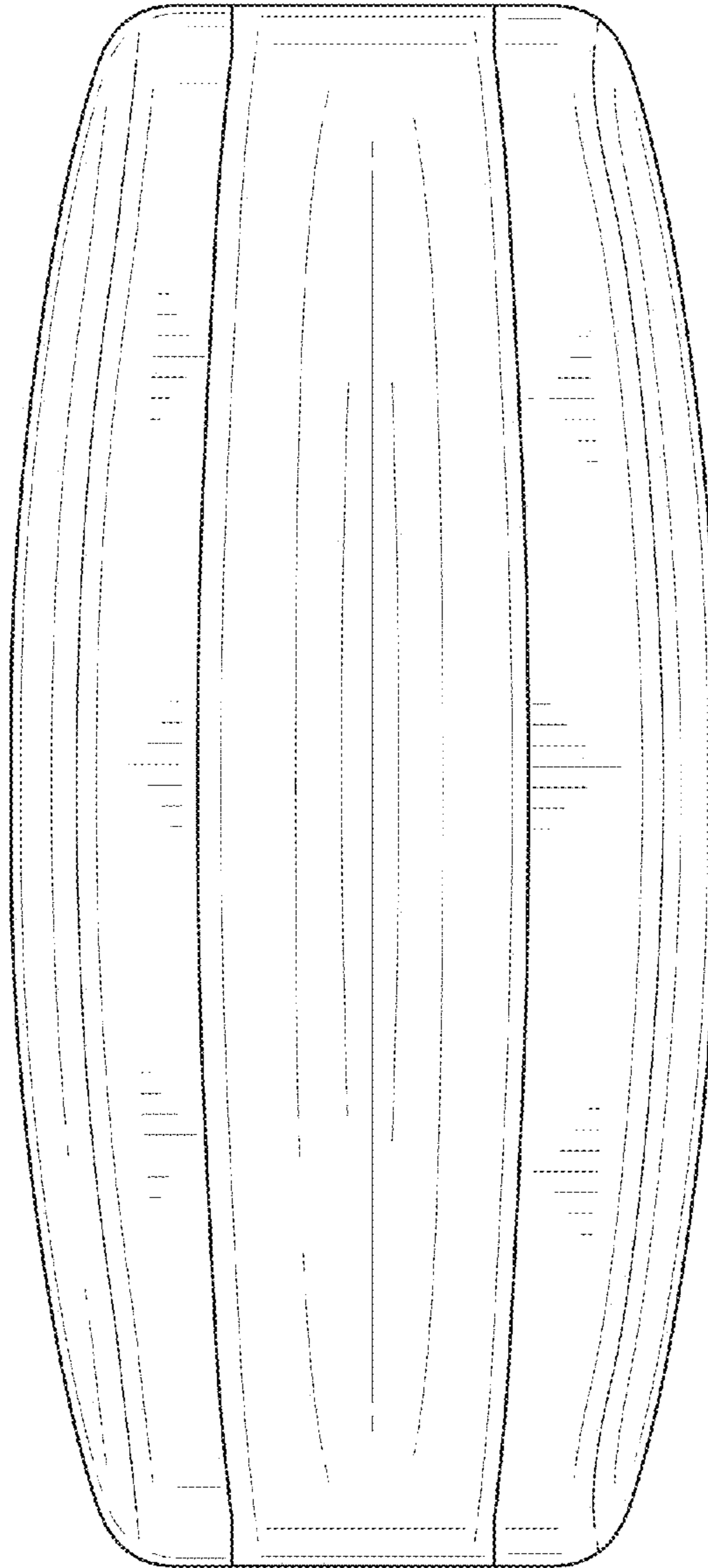
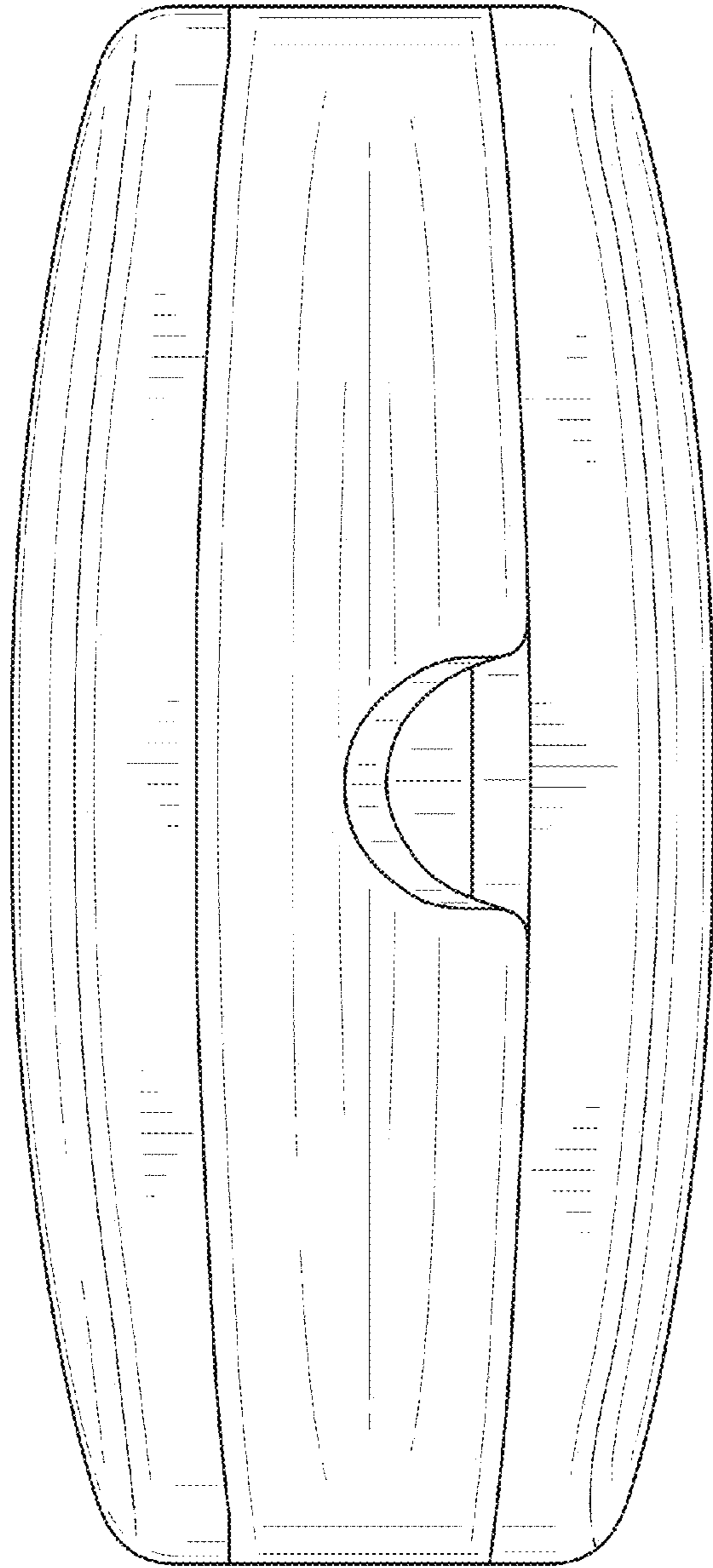


FIG. 12



**FIG. 14**



**FIG. 15**