



US00D753110S

(12) **United States Design Patent**  
**Takano et al.**

(10) **Patent No.:** **US D753,110 S**  
(45) **Date of Patent:** **\*\* Apr. 5, 2016**

(54) **DATA ACQUISITION MODULE**  
(71) Applicant: **YOKOGAWA ELECTRIC CORPORATION**, Musashino-shi, Tokyo (JP)  
(72) Inventors: **Naoto Takano**, Musashino (JP); **Noriaki Senba**, Musashino (JP); **Kenichi Yoshida**, Musashino (JP)  
(73) Assignee: **Yokogawa Electric Corporation**, Tokyo (JP)  
(\*\*) Term: **14 Years**

(21) Appl. No.: **29/509,960**  
(22) Filed: **Nov. 24, 2014**

(30) **Foreign Application Priority Data**  
May 30, 2014 (JP) ..... 2014-011587  
(51) **LOC (10) Cl.** ..... **14-02**  
(52) **U.S. Cl.**  
USPC ..... **D14/358**  
(58) **Field of Classification Search**  
USPC ..... D14/356, 358, 433; D10/46; D13/123-125, 133  
CPC ..... G11B 33/08; G11B 33/128; G06F 1/184; G06F 1/185; G06F 1/186; A47B 81/00; H01R 9/2675; H05K 7/1468; H05K 7/1478; H05K 7/1432; H05K 7/1418; H05K 7/1477; H05K 1/028; Y10S 439/928; F16F 15/08  
See application file for complete search history.

(56) **References Cited**  
U.S. PATENT DOCUMENTS  
6,016,253 A \* 1/2000 Seitz ..... H05K 1/028 174/117 F  
6,134,113 A \* 10/2000 Mills ..... F16F 15/08 248/638

6,285,545 B1 \* 9/2001 Lopez ..... G11B 33/128 312/223.1  
6,288,902 B1 \* 9/2001 Kim ..... G11B 33/08 206/701  
6,487,071 B1 \* 11/2002 Tata ..... G11B 33/08 235/487  
6,498,723 B1 \* 12/2002 Konshak ..... G11B 33/08 312/223.1  
D597,519 S \* 8/2009 Nakano ..... D14/140.3  
7,724,503 B2 \* 5/2010 Talja ..... H05K 7/1432 312/223.2  
D702,242 S \* 4/2014 Tsuda ..... D14/433  
8,885,358 B2 \* 11/2014 Herkenrath ..... H05K 7/1477 361/801  
2002/0006026 A1 \* 1/2002 Takahashi ..... H05K 7/1418 361/679.46

\* cited by examiner

*Primary Examiner* — Freda S Nunn  
(74) *Attorney, Agent, or Firm* — Sughrue Mion, PLLC

(57) **CLAIM**  
The ornamental design for a data acquisition module, as shown and described.

**DESCRIPTION**

FIG. 1 is a perspective view of a data acquisition module showing our new design;  
FIG. 2 is a front view thereof;  
FIG. 3 is a rear view thereof;  
FIG. 4 is a left side view thereof;  
FIG. 5 is a right side view thereof;  
FIG. 6 is a top view thereof;  
FIG. 7 is a bottom view thereof;  
FIG. 8 is a partial enlarged view of the portion encircled in FIG. 1; and,  
FIG. 9 is a perspective view of usage thereof.  
The broken lines shown are included for the purpose of illustrating the unclaimed portions of the data acquisition module and form no part of the claimed design.

**1 Claim, 9 Drawing Sheets**

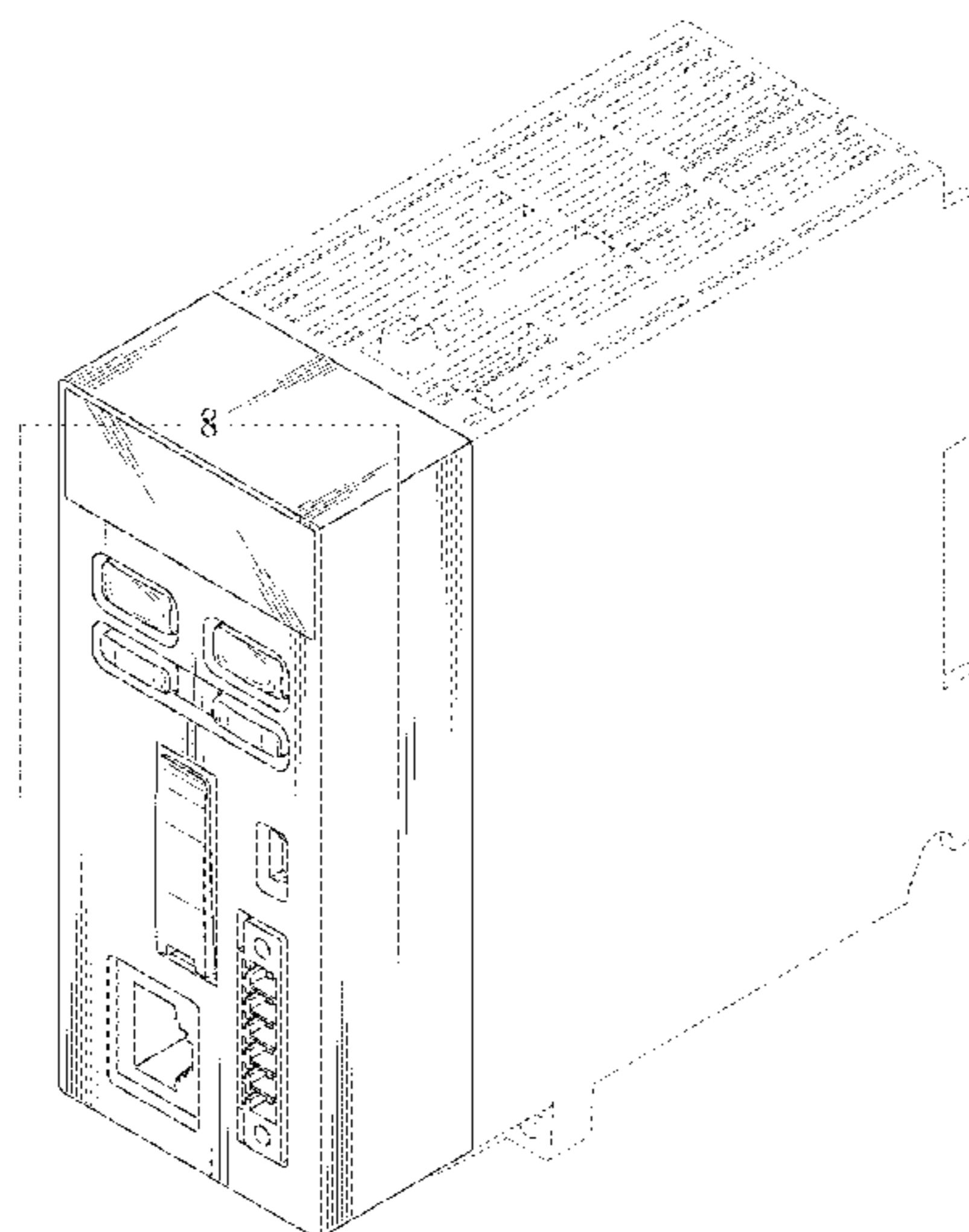


Fig. 1

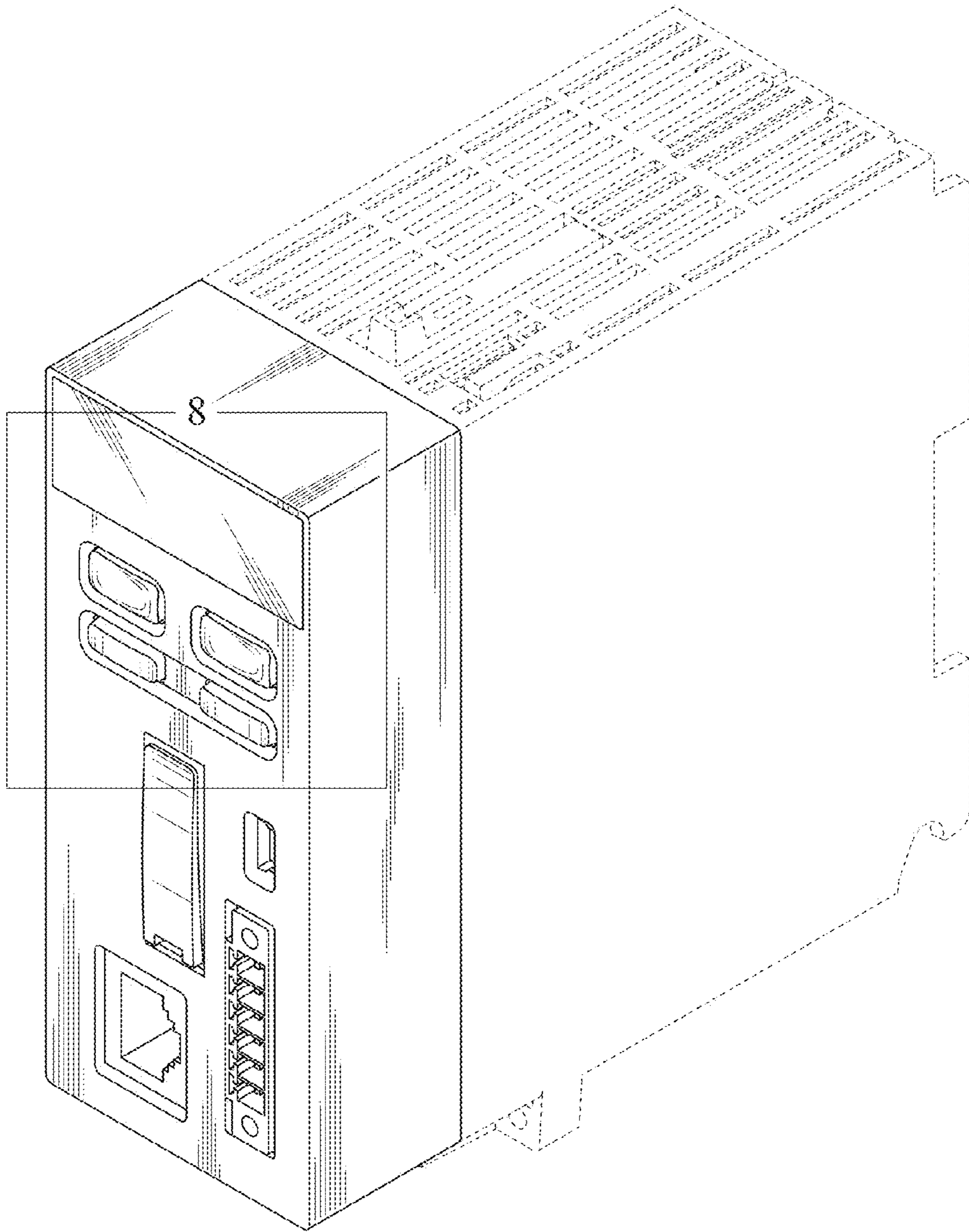


Fig. 2

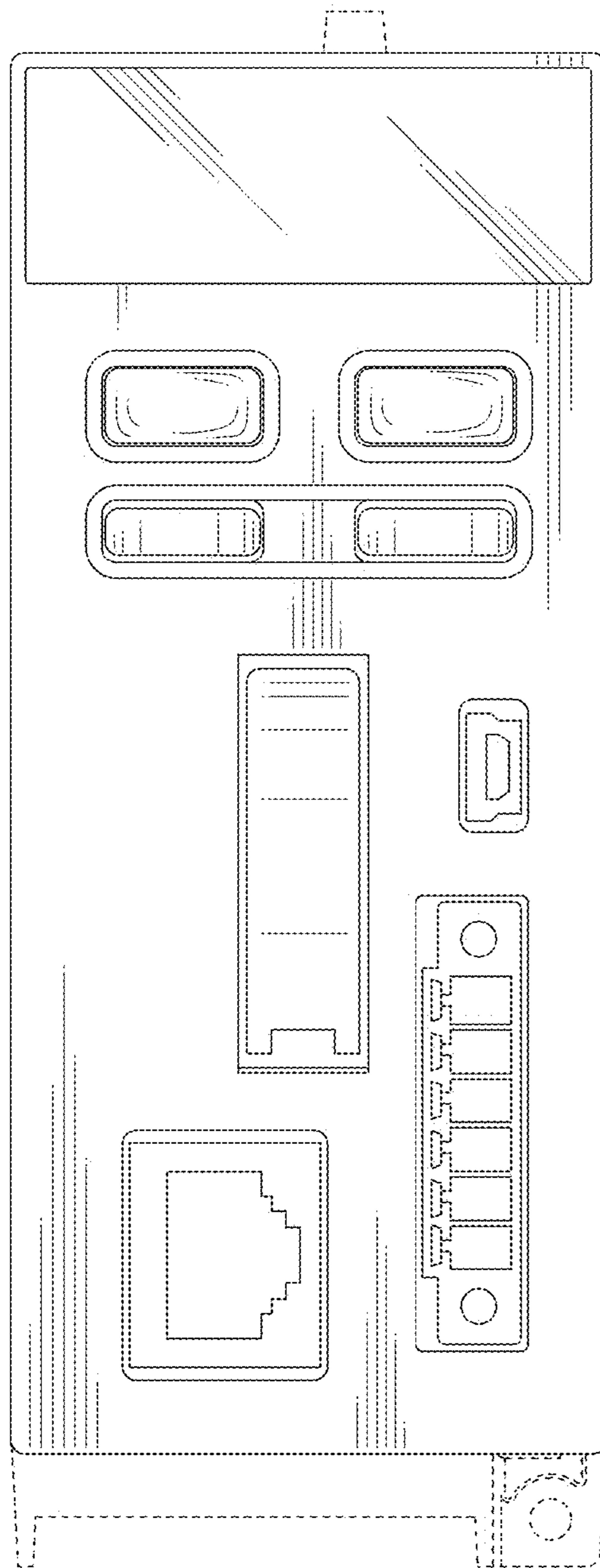


Fig. 3

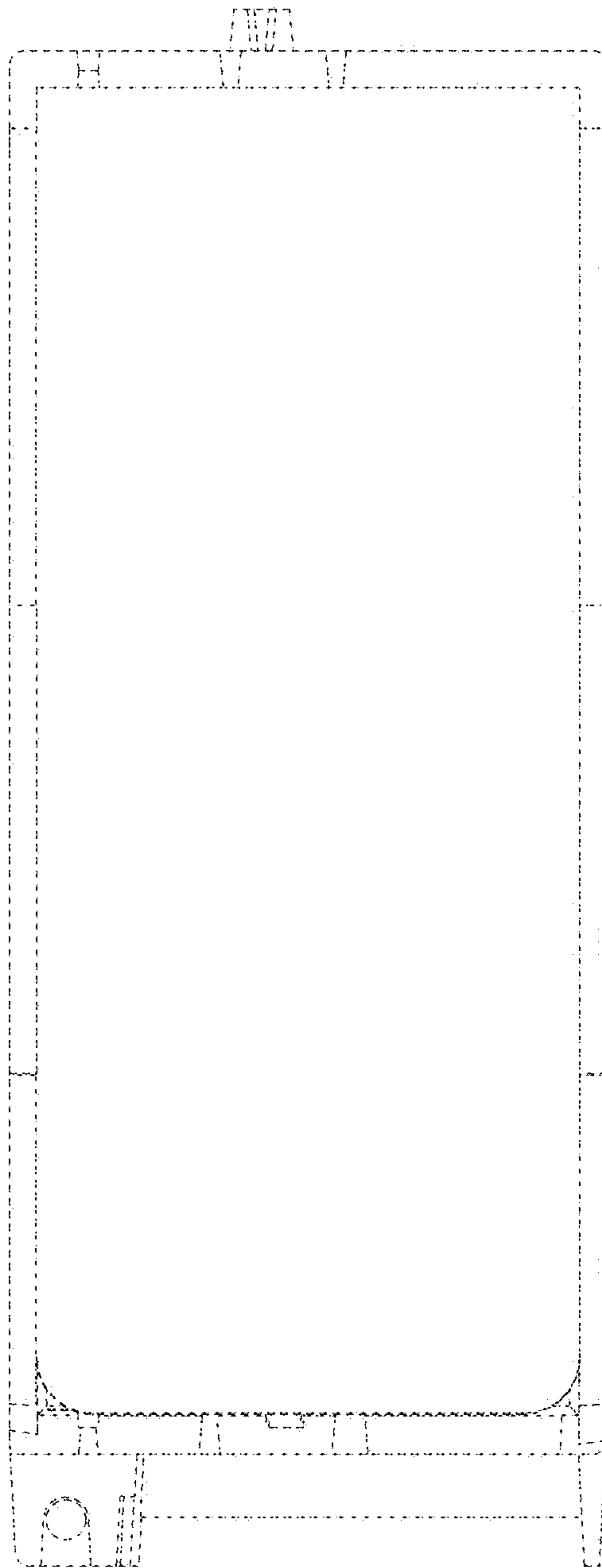


Fig. 4

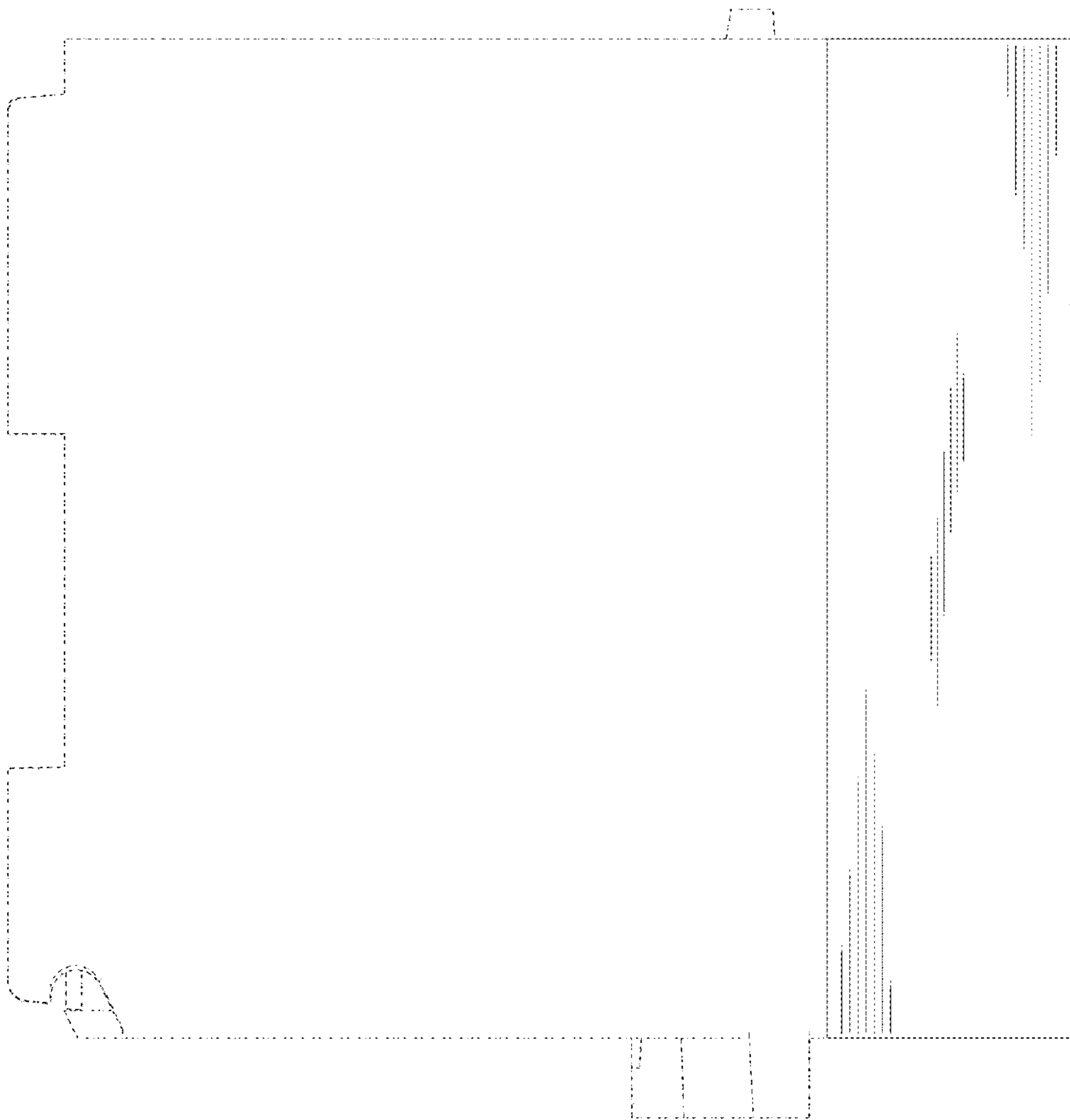


Fig. 5

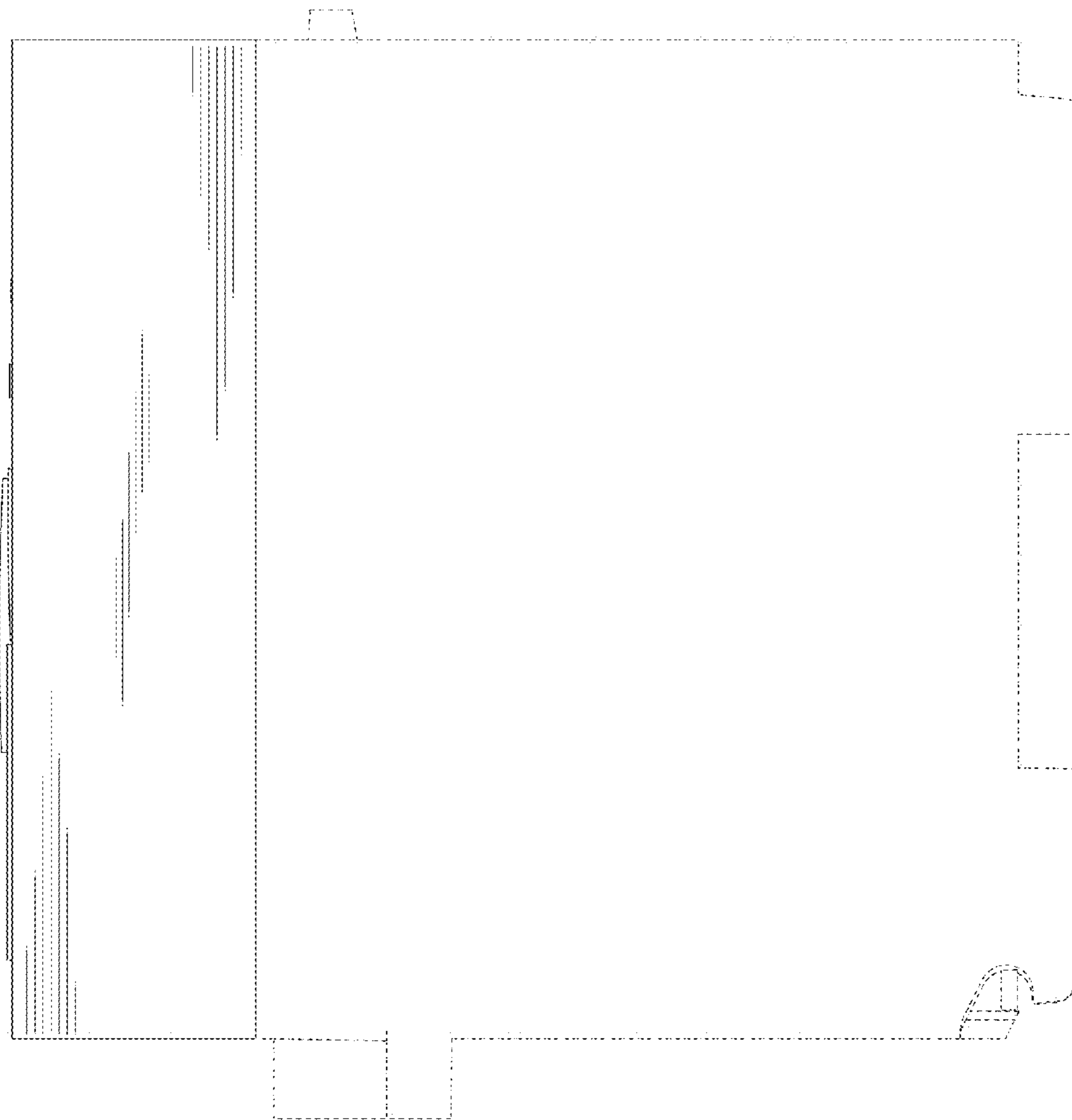


Fig. 6

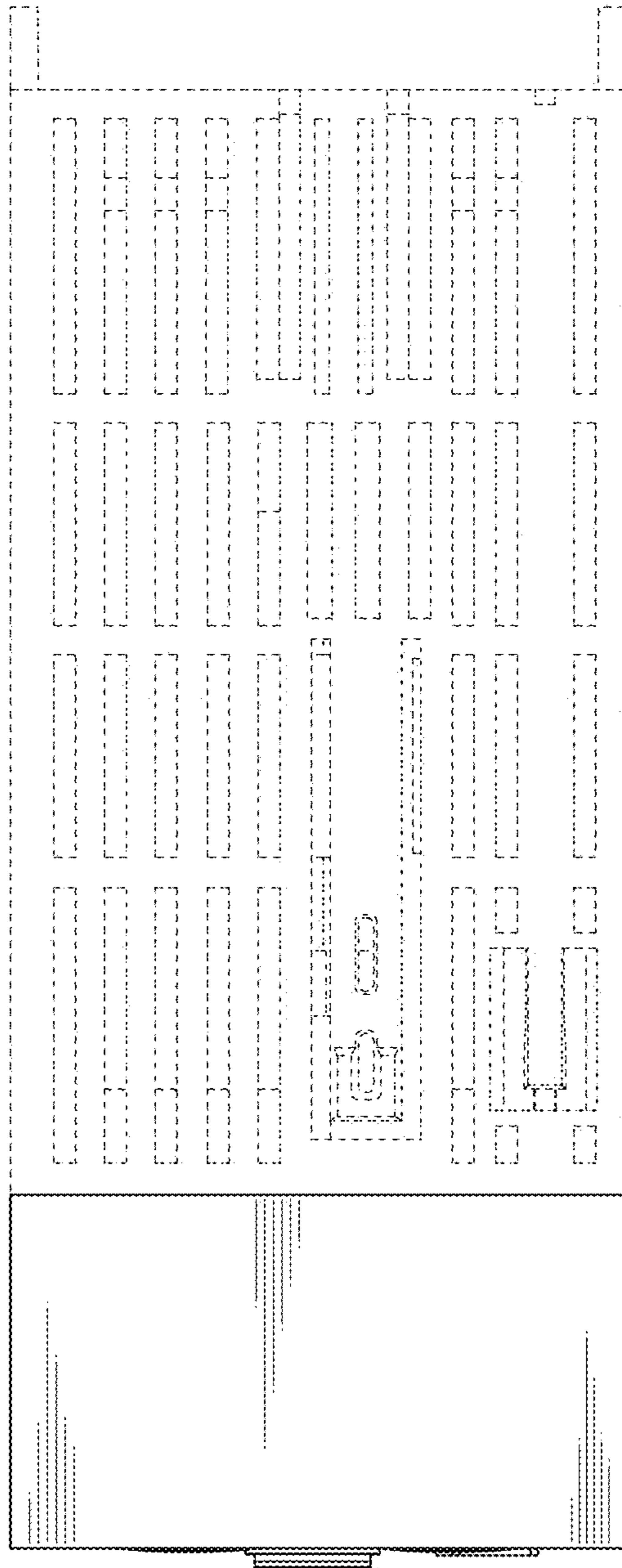


Fig. 7

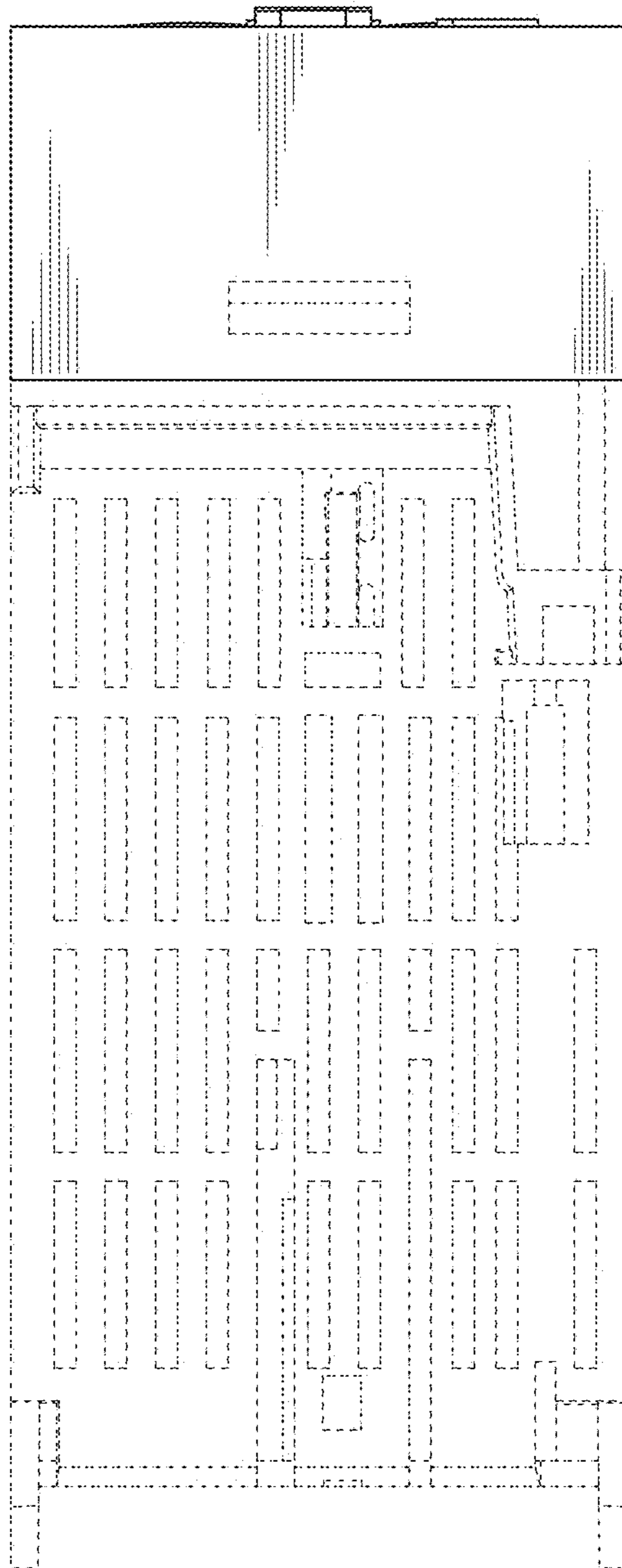




Fig. 8

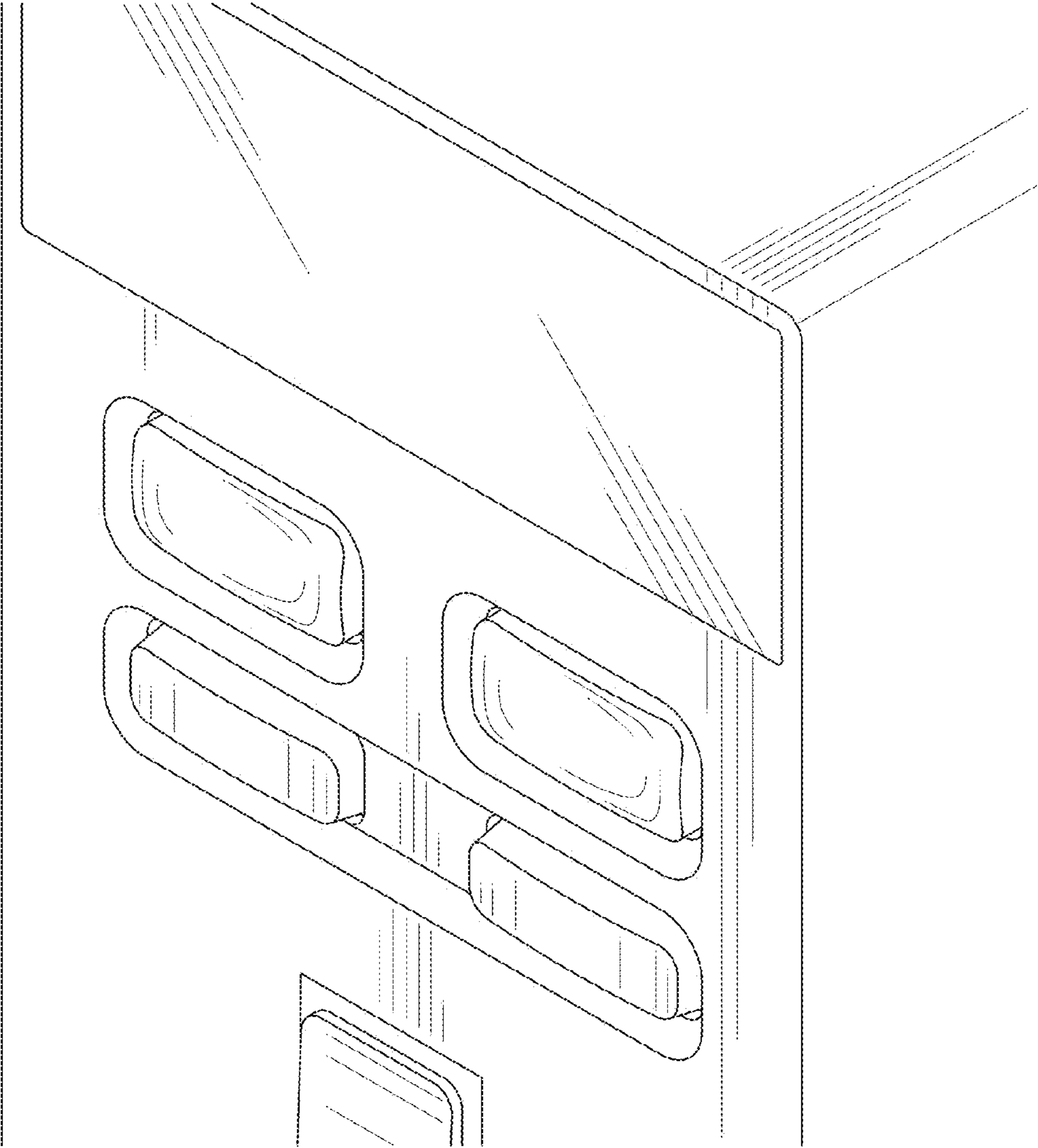


Fig. 9

