



US00D753109S

(12) **United States Design Patent**  
**Kim et al.**

(10) **Patent No.:** **US D753,109 S**  
(45) **Date of Patent:** **\*\* Apr. 5, 2016**

(54) **MOBILE PHONE**

(71) Applicant: **LG Electronics Inc.**, Seoul (KR)

(72) Inventors: **Dongsoon Kim**, Seoul (KR); **Seongjae Lim**, Seoul (KR)

(73) Assignee: **LG Electronics Inc.**, Seoul (KR)

(\*\*) Term: **14 Years**

(21) Appl. No.: **29/499,099**

(22) Filed: **Aug. 12, 2014**

(30) **Foreign Application Priority Data**

Feb. 13, 2014 (KR) ..... 30-2014-0007342

(51) **LOC (10) Cl.** ..... **14-02**

(52) **U.S. Cl.**  
USPC ..... **D14/344**; D14/138 R; D10/38

(58) **Field of Classification Search**  
USPC ..... D14/140, 137, 138 R, 138 AB, 139, 144,  
D14/155, 167, 191, 192, 203.1, 203.3,  
D14/203.4, 203.5, 203.7, 248, 226, 218,  
D14/240, 344, 440, 341, 346, 448, 450,  
D14/496; D10/30-32, 37-39, 65, 70, 77,  
D10/78, 98, 104.1, 104.2, 125; D11/3-5,  
D11/12, 19, 25; D13/168; D3/215;  
D15/199; 381/364, 151; 379/433.1;  
455/575.1, 575.3, 575.4, 575.6, 556.1,  
455/556.2, 558, 90.3; 368/10, 13, 69, 223,  
368/281, 282, 294, 295, 296; D21/329,  
D21/513; D24/167, 186  
CPC ..... H04M 1/0227; H04M 1/03; H04M 1/04;  
G04G 9/00; G04G 17/00; G04G 17/04;  
G04G 17/06

See application file for complete search history.

(56) **References Cited**

**U.S. PATENT DOCUMENTS**

D246,577 S \* 12/1977 Inaba ..... D10/30  
D391,499 S \* 3/1998 Houlihan et al. .... D10/30

D462,623 S \* 9/2002 Fujihara ..... D10/30  
6,535,461 B1 \* 3/2003 Karhu ..... 368/10  
D508,038 S \* 8/2005 Bonadei ..... D14/138 R  
6,982,930 B1 \* 1/2006 Hung ..... 368/10  
D551,992 S \* 10/2007 Howard et al. .... D10/38  
D561,612 S \* 2/2008 Finazzi ..... D10/38  
D583,682 S \* 12/2008 Blank ..... D10/32  
D650,705 S \* 12/2011 Blank ..... D10/32  
D661,206 S \* 6/2012 Register et al. .... D10/38  
D668,966 S \* 10/2012 Scott ..... D10/32  
D700,072 S \* 2/2014 Arellano ..... D10/38  
D717,759 S \* 11/2014 Choi et al. .... D14/138 R  
D718,150 S \* 11/2014 Gueit ..... D10/32  
D719,125 S \* 12/2014 Choi et al. .... D14/138 R  
D724,047 S \* 3/2015 Kim et al. .... D14/138 R  
D725,073 S \* 3/2015 Ji et al. .... D14/138 R  
D726,675 S \* 4/2015 Choi et al. .... D14/138 R  
D726,677 S \* 4/2015 Choi et al. .... D14/138 R  
D729,650 S \* 5/2015 Phillips et al. .... D10/70  
D731,455 S \* 6/2015 Park et al. .... D14/138 R  
2004/0057339 A1 \* 3/2004 Menini ..... 368/10  
2009/0022014 A1 \* 1/2009 Gracia et al. .... 368/311  
2010/0214877 A1 \* 8/2010 Turk ..... 368/10  
2012/0099406 A1 \* 4/2012 Lau et al. .... 368/69

\* cited by examiner

*Primary Examiner* — Susan Bennett Hattan

*Assistant Examiner* — Marie Fast Horse

(74) *Attorney, Agent, or Firm* — Morgan, Lewis & Bockius LLP

(57) **CLAIM**

The ornamental design for a mobile phone, as shown and described.

**DESCRIPTION**

FIG. 1 is a perspective view of a mobile phone showing our new design;  
FIG. 2 is a front view thereof;  
FIG. 3 is a rear view thereof;  
FIG. 4 is a left side view thereof;  
FIG. 5 is a right side view thereof;  
FIG. 6 is a top plan view thereof; and,  
FIG. 7 is a bottom plan view thereof.  
The broken lines depict portions of the mobile phone that form no part of the claimed design.

**1 Claim, 7 Drawing Sheets**

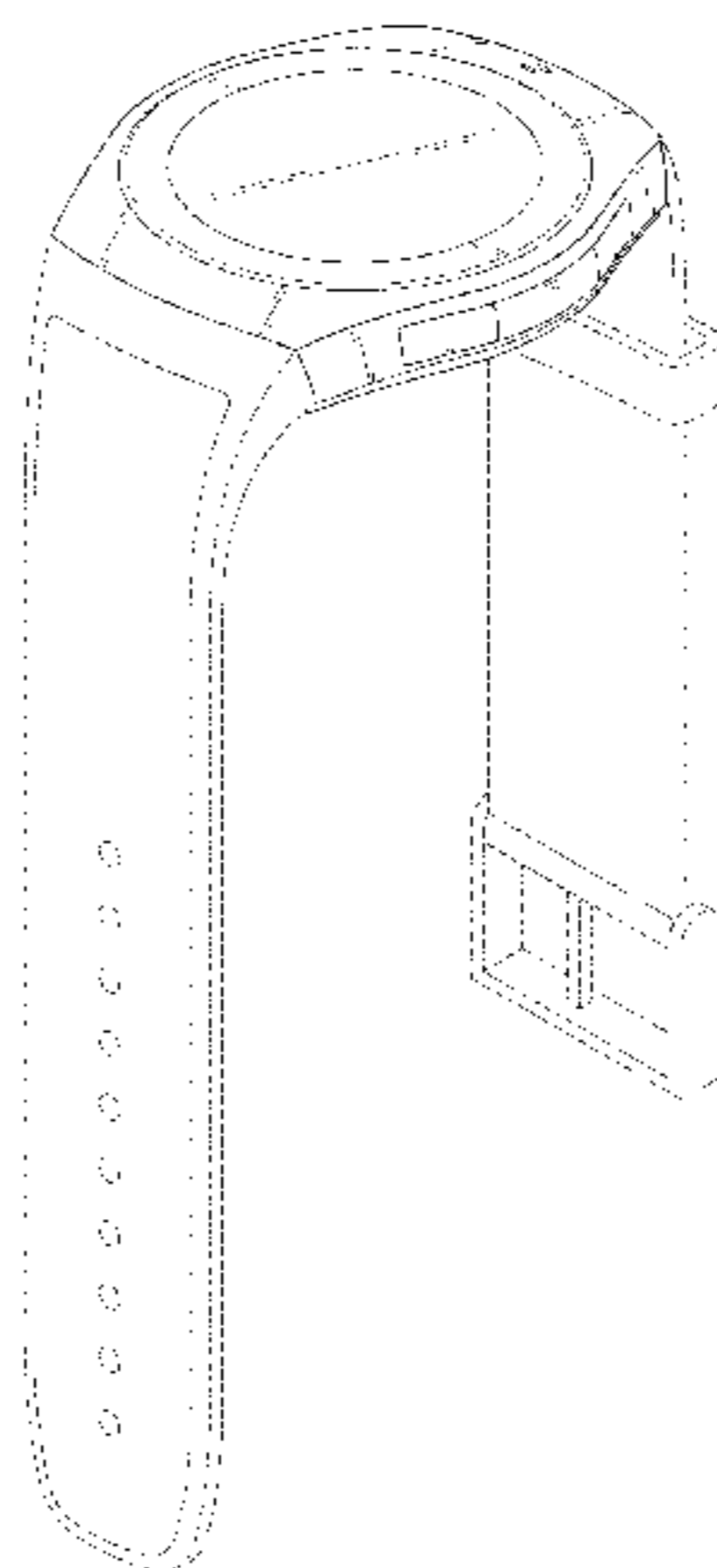


FIG. 1

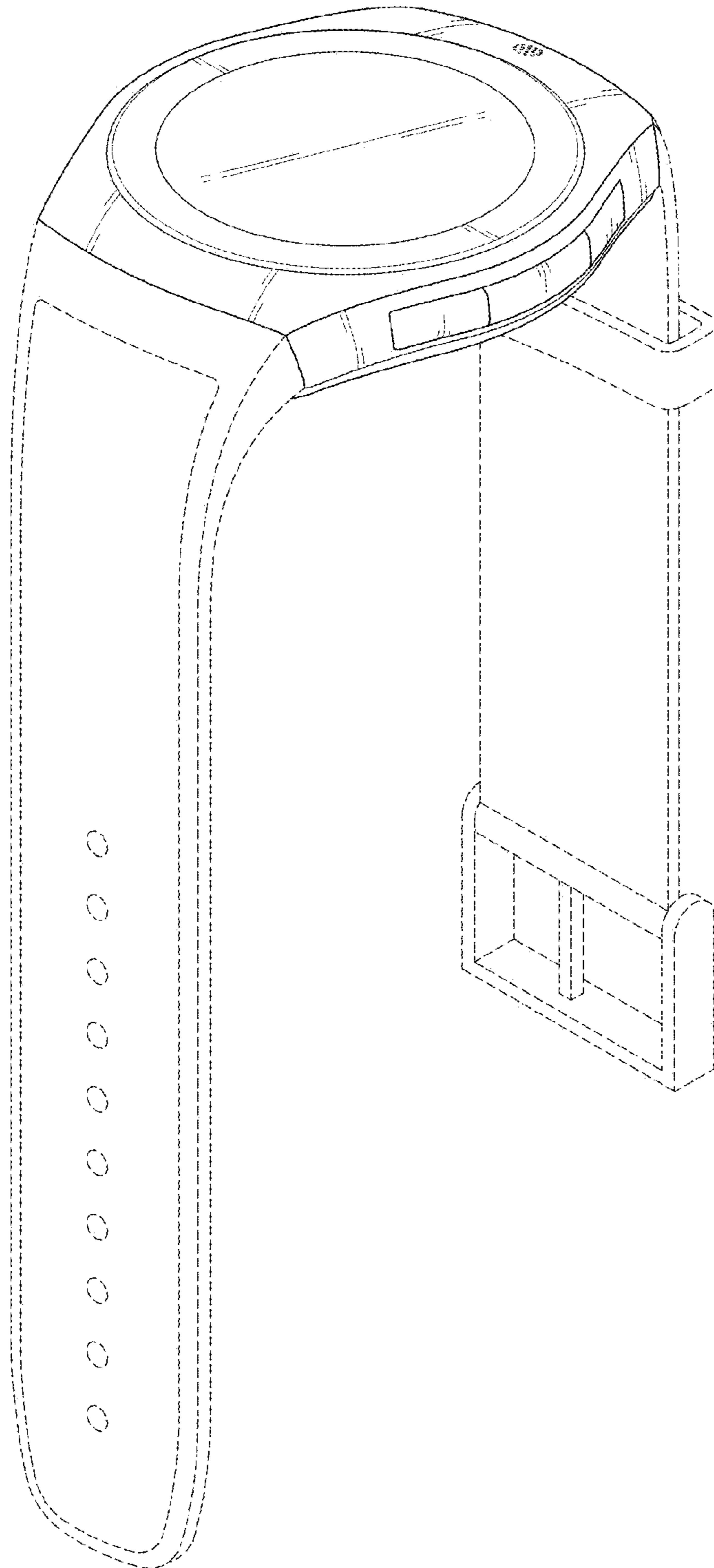


FIG. 2

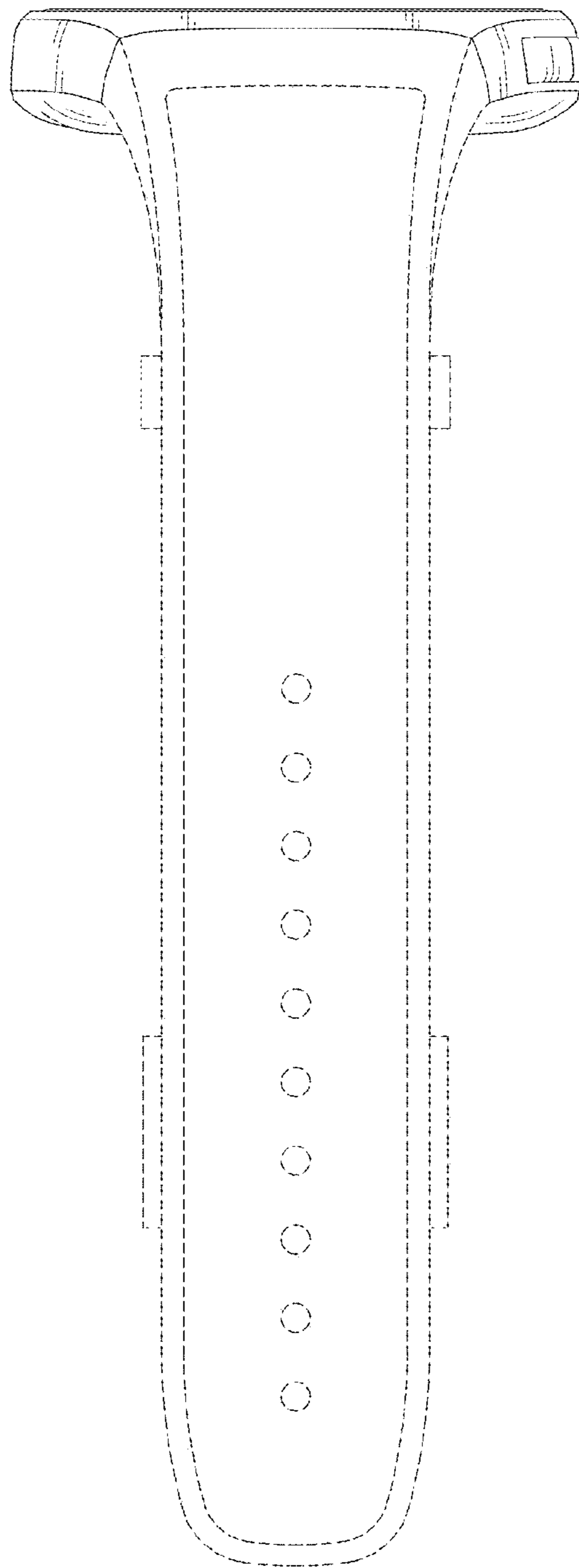


FIG. 3

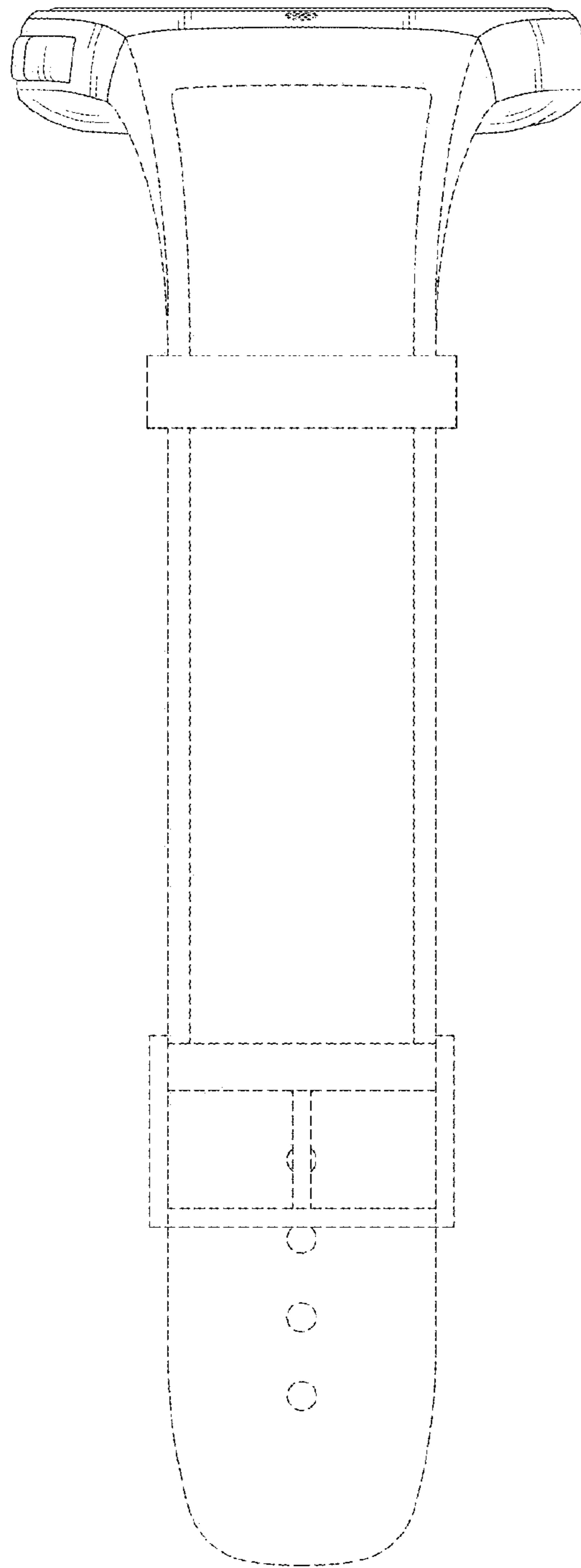


FIG. 4

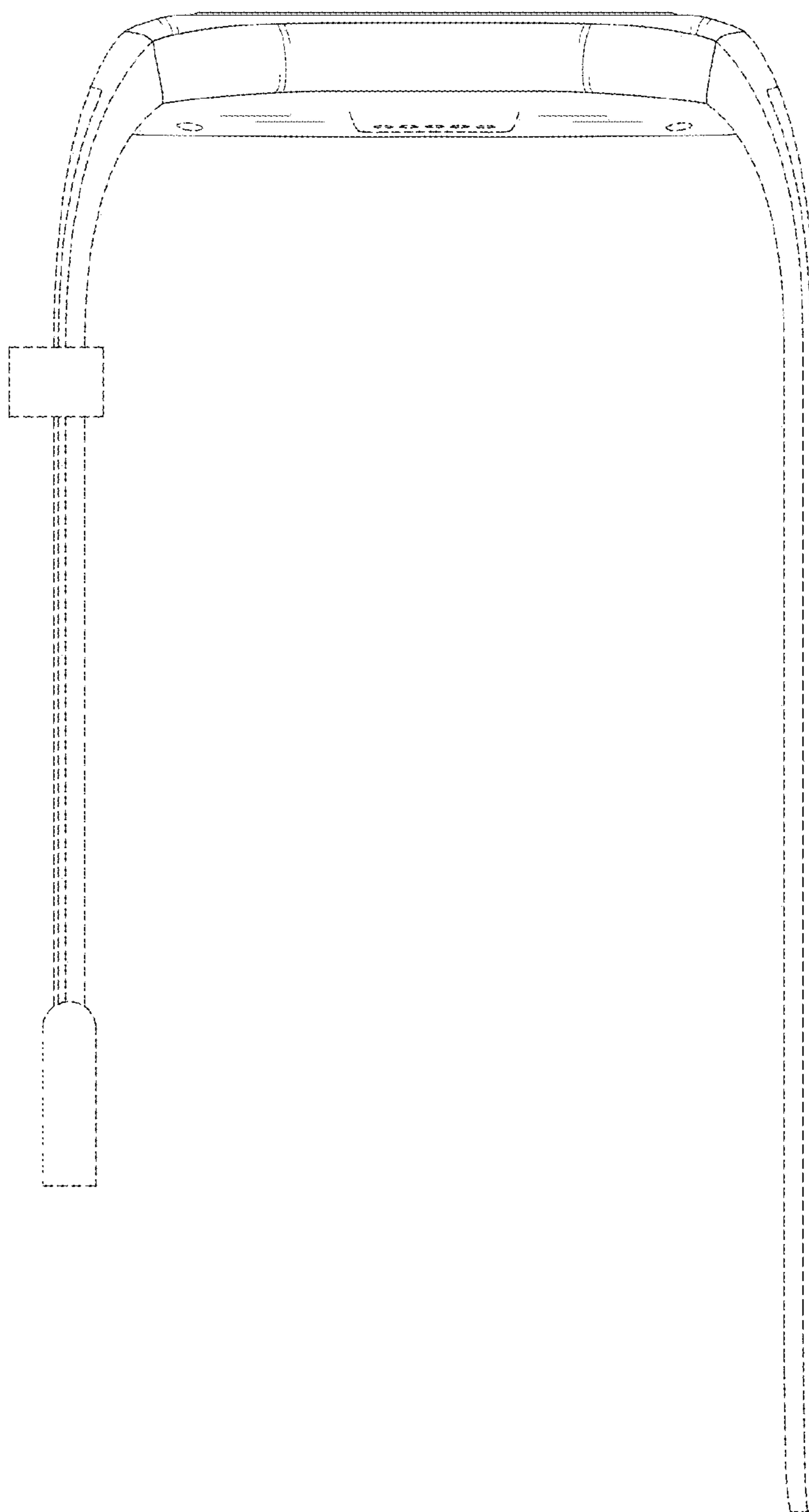


FIG. 5

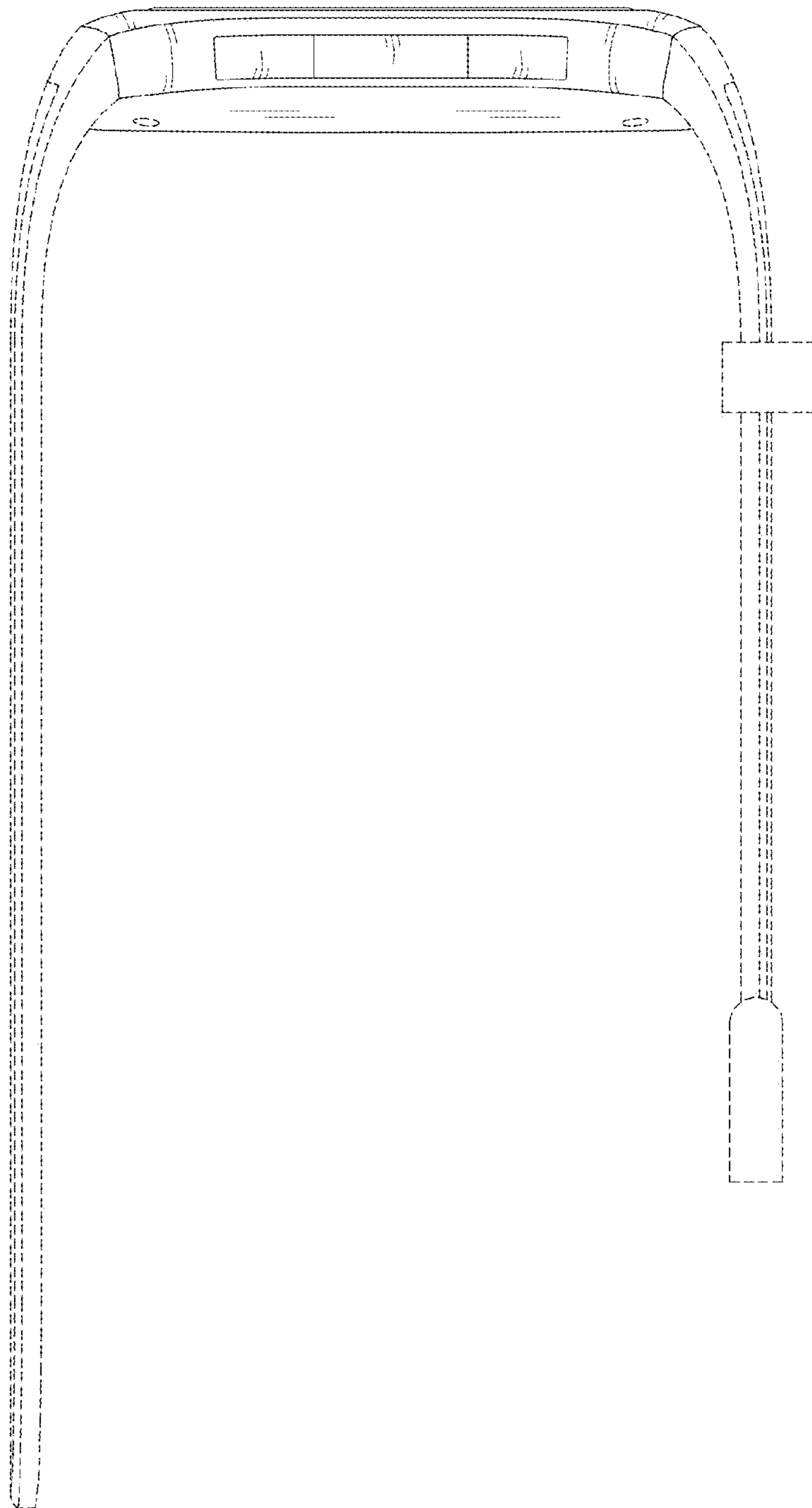


FIG. 6

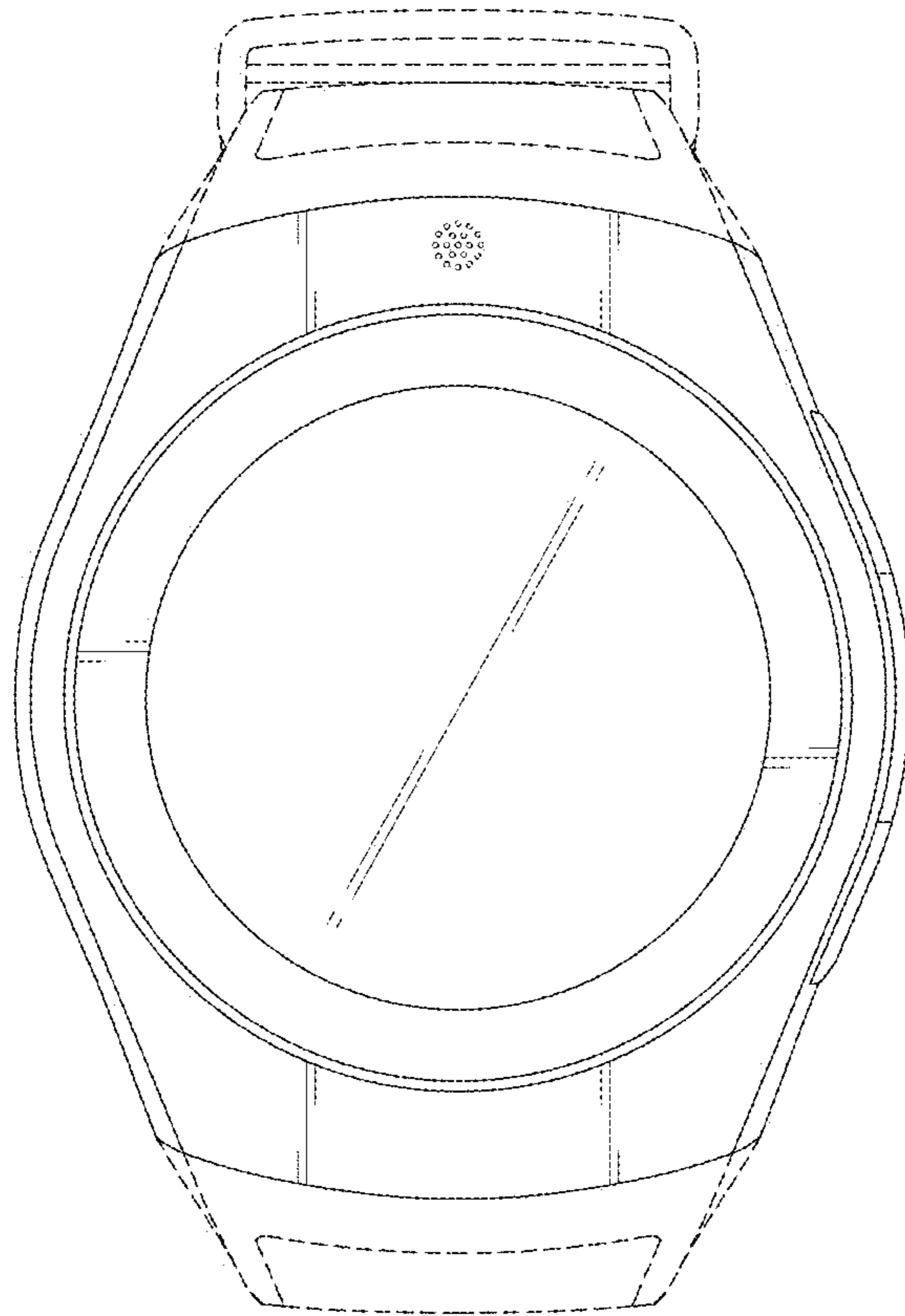




FIG. 7

