



US00D753105S

(12) **United States Design Patent**
Chang et al.

(10) **Patent No.:** **US D753,105 S**
(45) **Date of Patent:** **** Apr. 5, 2016**

(54) **TABLET COMPUTING DEVICE**

(71) Applicant: **Amazon Technologies, Inc.**, Reno, NV (US)

(72) Inventors: **Shih-Tao Chang**, Sunnyvale, CA (US);
Jonathan Howard Biddle, San Francisco, CA (US); **Christopher Green**, San Francisco, CA (US)

(73) Assignee: **Amazon Technologies, Inc.**, Reno, NV (US)

(**) Term: **14 Years**

(21) Appl. No.: **29/501,351**

(22) Filed: **Sep. 3, 2014**

(51) **LOC (10) Cl.** **14-03**

(52) **U.S. Cl.**
USPC **D14/341**; D14/203.7; D14/496

(58) **Field of Classification Search**
USPC D14/496, 203.3, 203, 7, 341–347,
D14/138 R, 138 AA, 138 C, 138 G, 218, 248;
273/148 B; 463/1, 29–35, 46, 47;
345/156, 901, 905; 379/433.04,
379/433.01, 916; 361/679.55, 679.56;
455/556.1, 556.2, 566, 575.1, 90.3
CPC . H04M 1/00; H04M 11/066; H04M 2201/38;
G06F 15/00; A63F 13/00; A63F 13/09
See application file for complete search history.

(56) **References Cited**

U.S. PATENT DOCUMENTS

2,424,630 A * 7/1947 Perez B43L 5/02
33/443

(Continued)

OTHER PUBLICATIONS

Korean Office Action mailed Aug. 21, 2015 for Korean Patent Application No. 30-2015-10091, a counterpart foreign application of Design U.S. Appl. No. 29/501,351, 2 pages.

(Continued)

Primary Examiner — Prabhakar Deshmukh
(74) *Attorney, Agent, or Firm* — Lee & Hayes, PLLC

(57) **CLAIM**

The ornamental design for a tablet computing device, as shown and described.

DESCRIPTION

FIG. 1 is a front perspective view of a tablet computing device showing our new design;

FIG. 2 is a rear perspective view thereof;

FIG. 3 is a front elevational view thereof;

FIG. 4 is a rear elevational view thereof;

FIG. 5 is a right side elevational view thereof;

FIG. 6 is a left side elevational view thereof;

FIG. 7 is a bottom plan view thereof;

FIG. 8 is a top plan view thereof;

In the first embodiment, the stippling on the back and sides of the tablet computing device indicates a first, textured surface finish, the oblique lines on the front of the tablet computing device indicates a second, glass-like surface finish, and the omission of stippling and oblique lines on a bezel disposed around a perimeter of the back of the device (best shown in FIGS. 3 and 4) indicates a glossy surface finish.

FIG. 9 is a front perspective view of a second embodiment of a tablet computing device;

FIG. 10 is a rear perspective view of FIG. 9;

FIG. 11 is a front elevational view of FIG. 9;

FIG. 12 is a rear elevational view of FIG. 9;

FIG. 13 is a right side elevational view of FIG. 9;

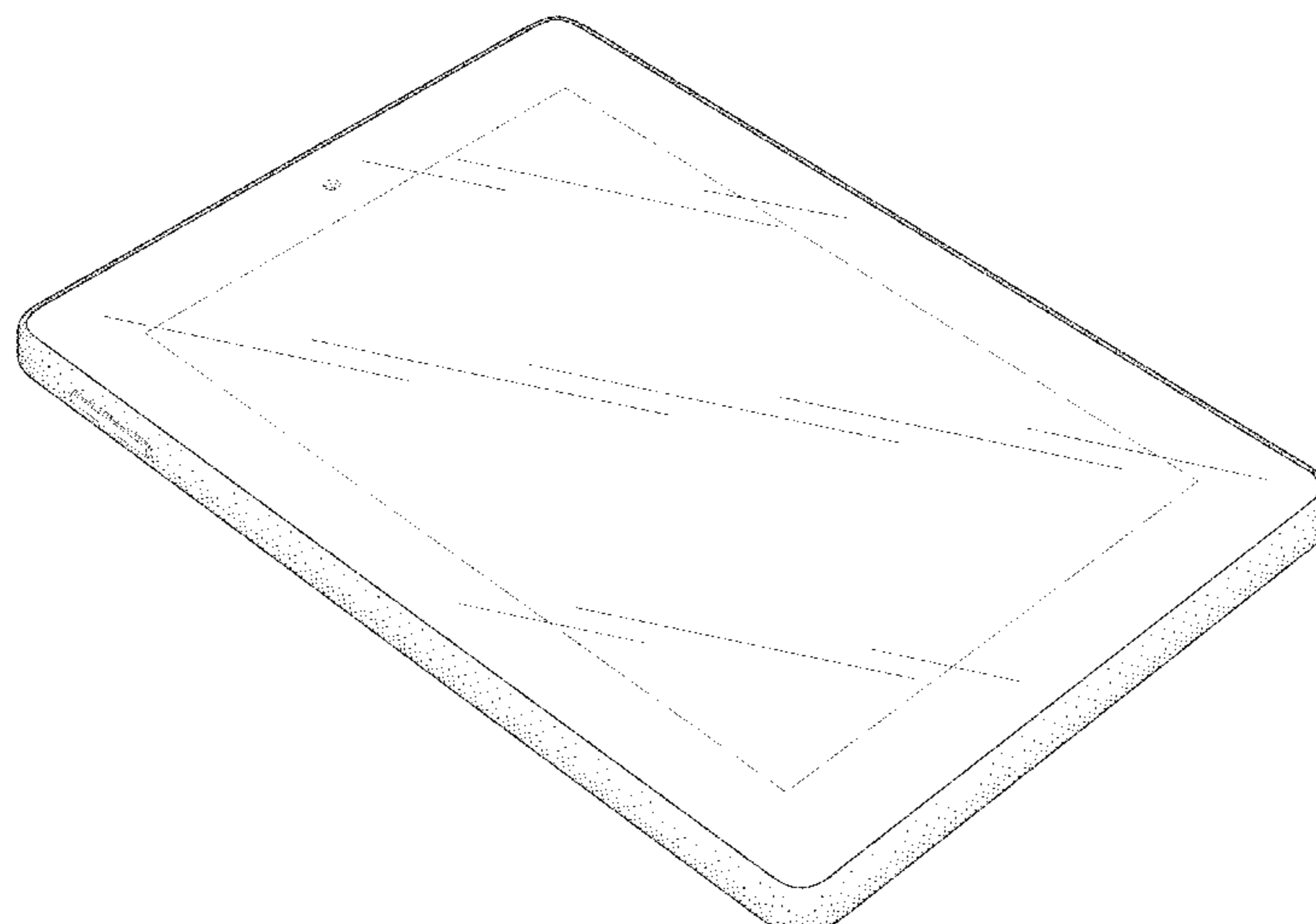
FIG. 14 is a left side elevational view of FIG. 9;

FIG. 15 is a bottom plan view of FIG. 9; and,

FIG. 16 is a top plan view of FIG. 9.

The broken lines indicate unclaimed portions and form no part of the claimed design.

1 Claim, 12 Drawing Sheets



(56)

References Cited

U.S. PATENT DOCUMENTS

7,299,580 B2 * 11/2007 Wang F16M 11/10
248/461
D599,342 S * 9/2009 Andre D14/203.7
D602,014 S * 10/2009 Andre D14/341
D633,092 S * 2/2011 Andre D14/341
D644,218 S * 8/2011 Akana D14/250
8,248,791 B2 * 8/2012 Wang F16M 11/10
248/188.8
D669,071 S * 10/2012 Akana D14/341

D671,937 S * 12/2012 Akana D14/341
D673,148 S * 12/2012 Akana D14/341
D710,352 S * 8/2014 Lee D14/341
D716,798 S * 11/2014 Kurimoto D14/341

OTHER PUBLICATIONS

Indian Office Action mailed May 26, 2015 for Indian patent applica-
tion No. 270026, a counterpart foreign application of U.S. Appl. No.
29/501,351, 27 pages.

* cited by examiner

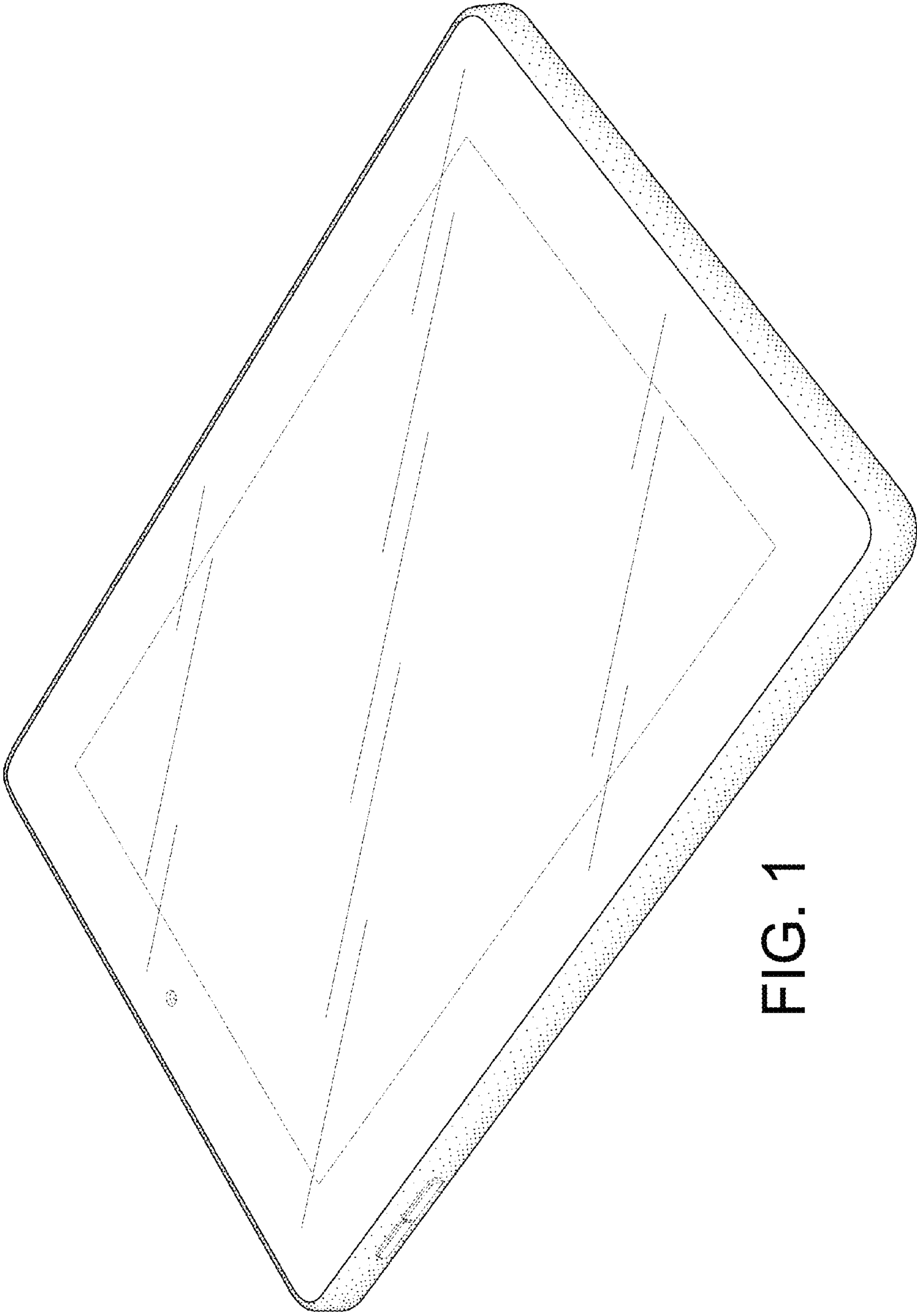


FIG. 1

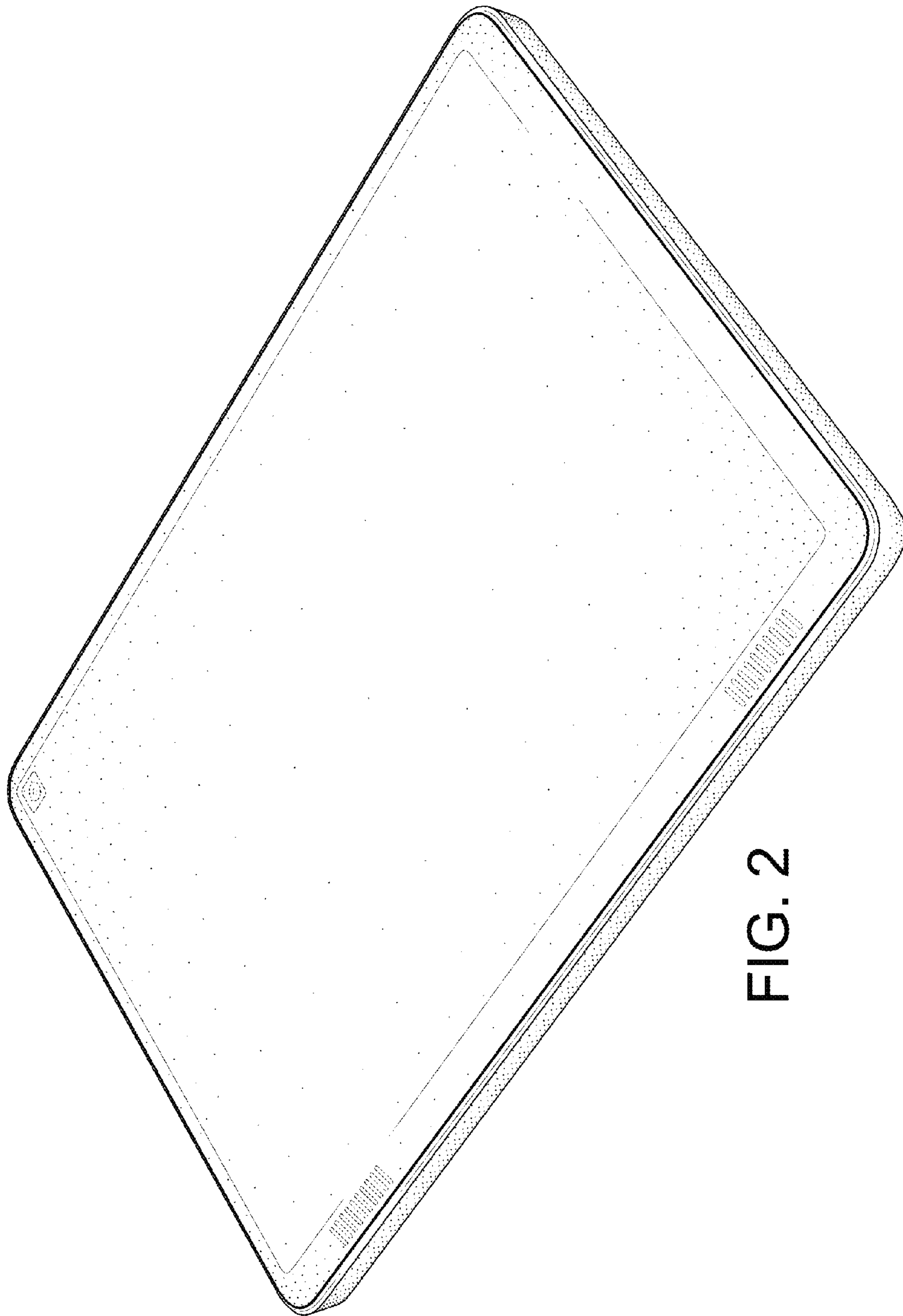


FIG. 2

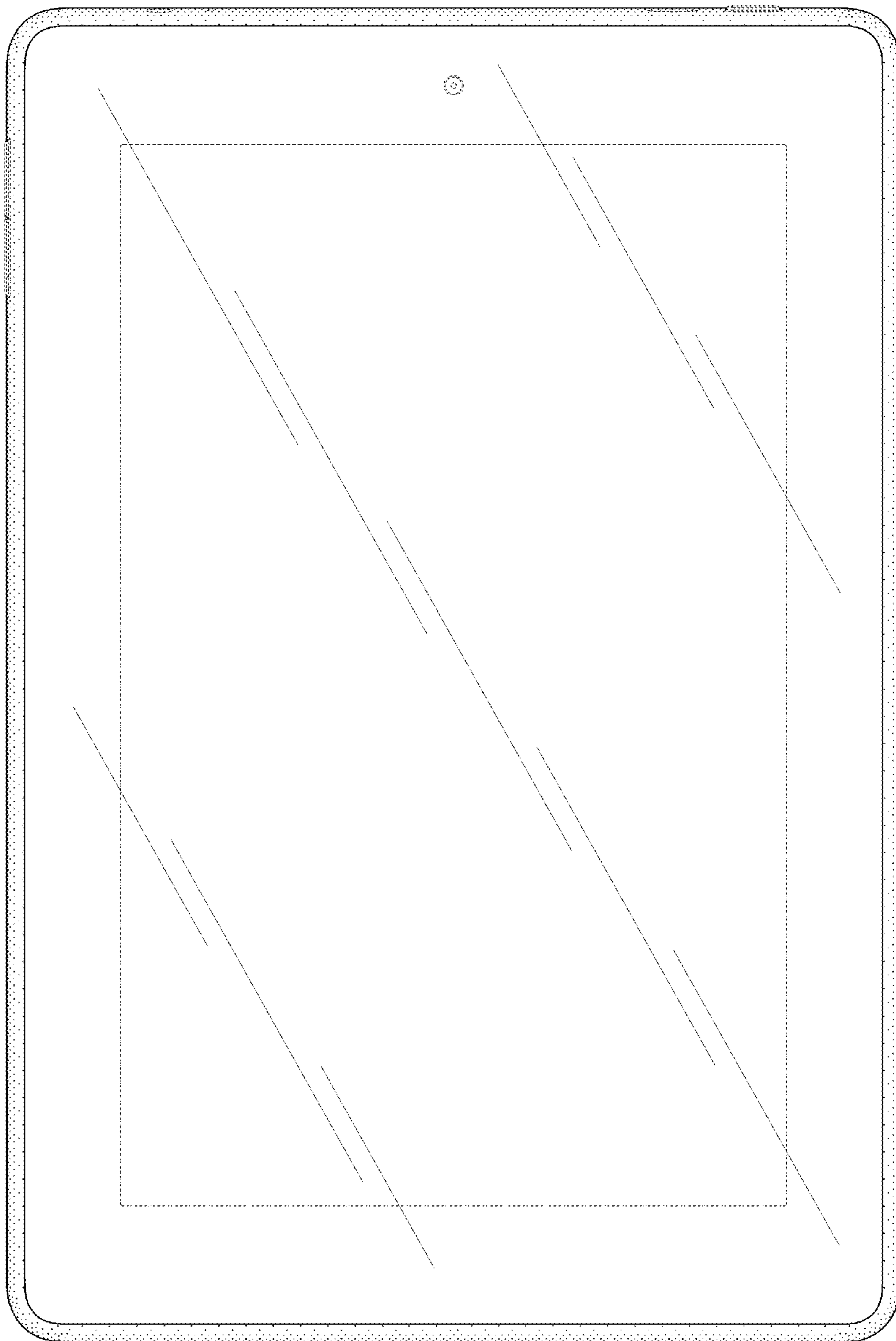


FIG. 3

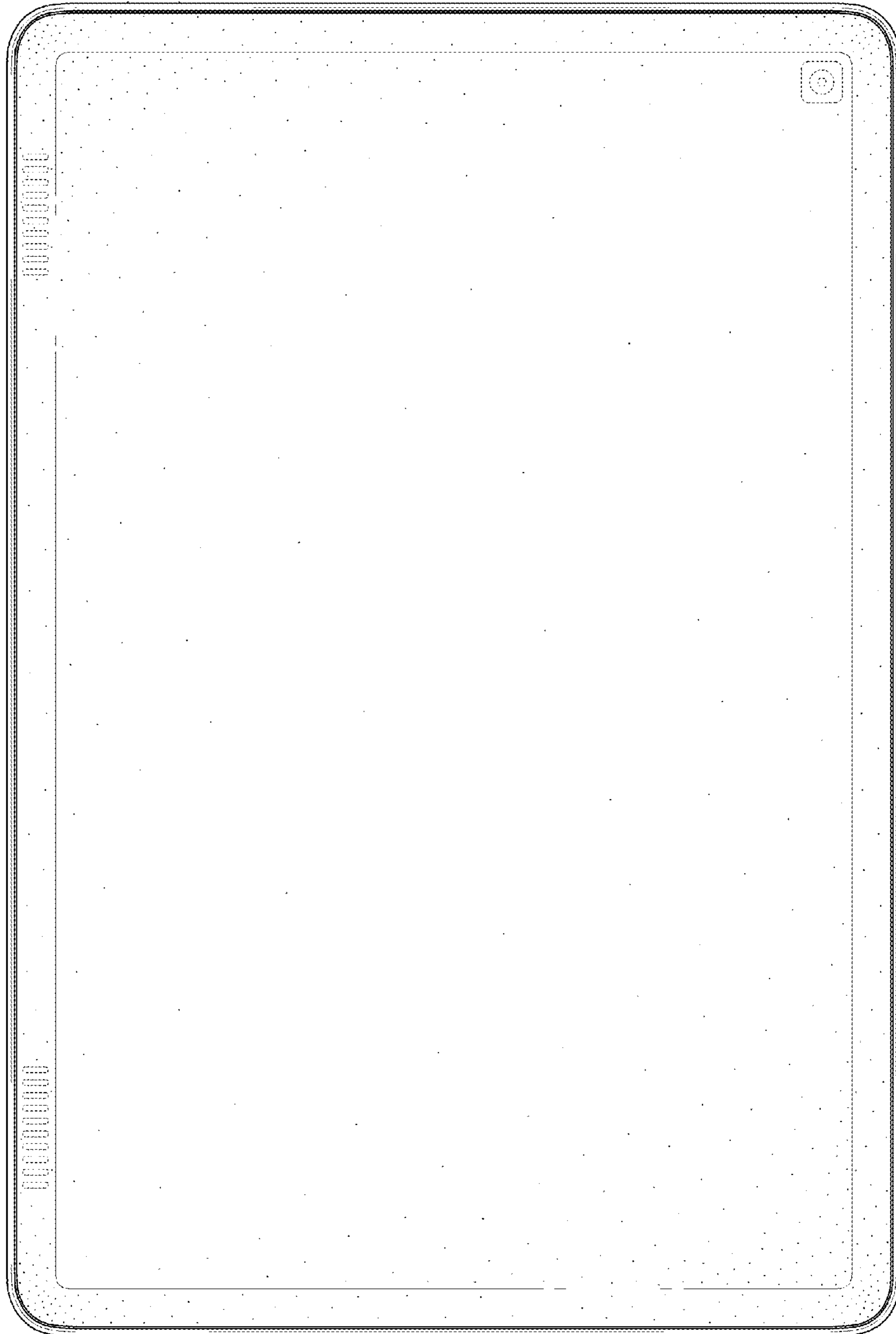


FIG. 4

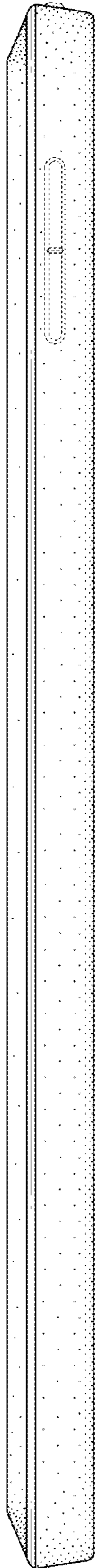


FIG. 5

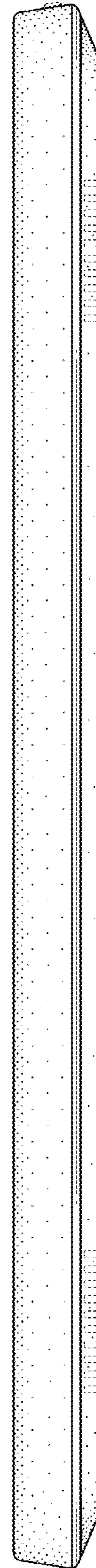


FIG. 6

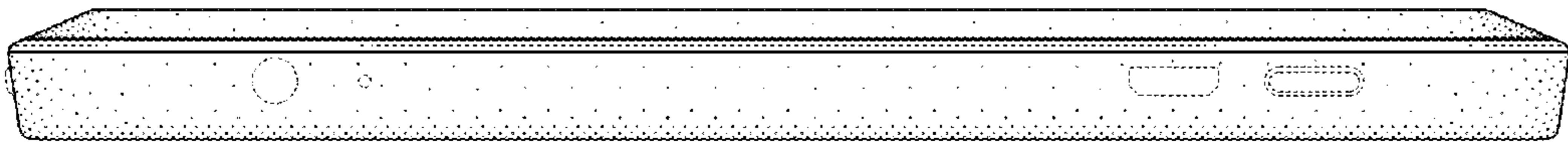


FIG. 7

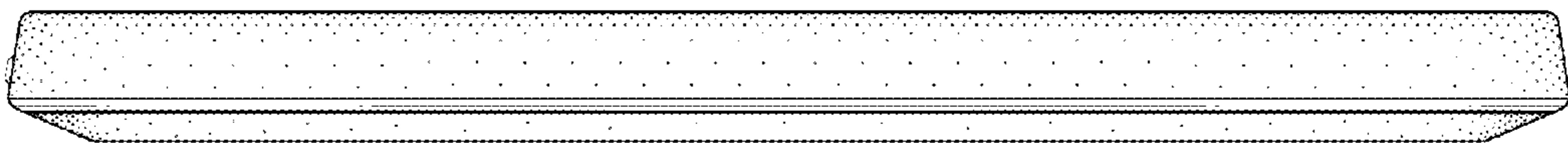


FIG. 8

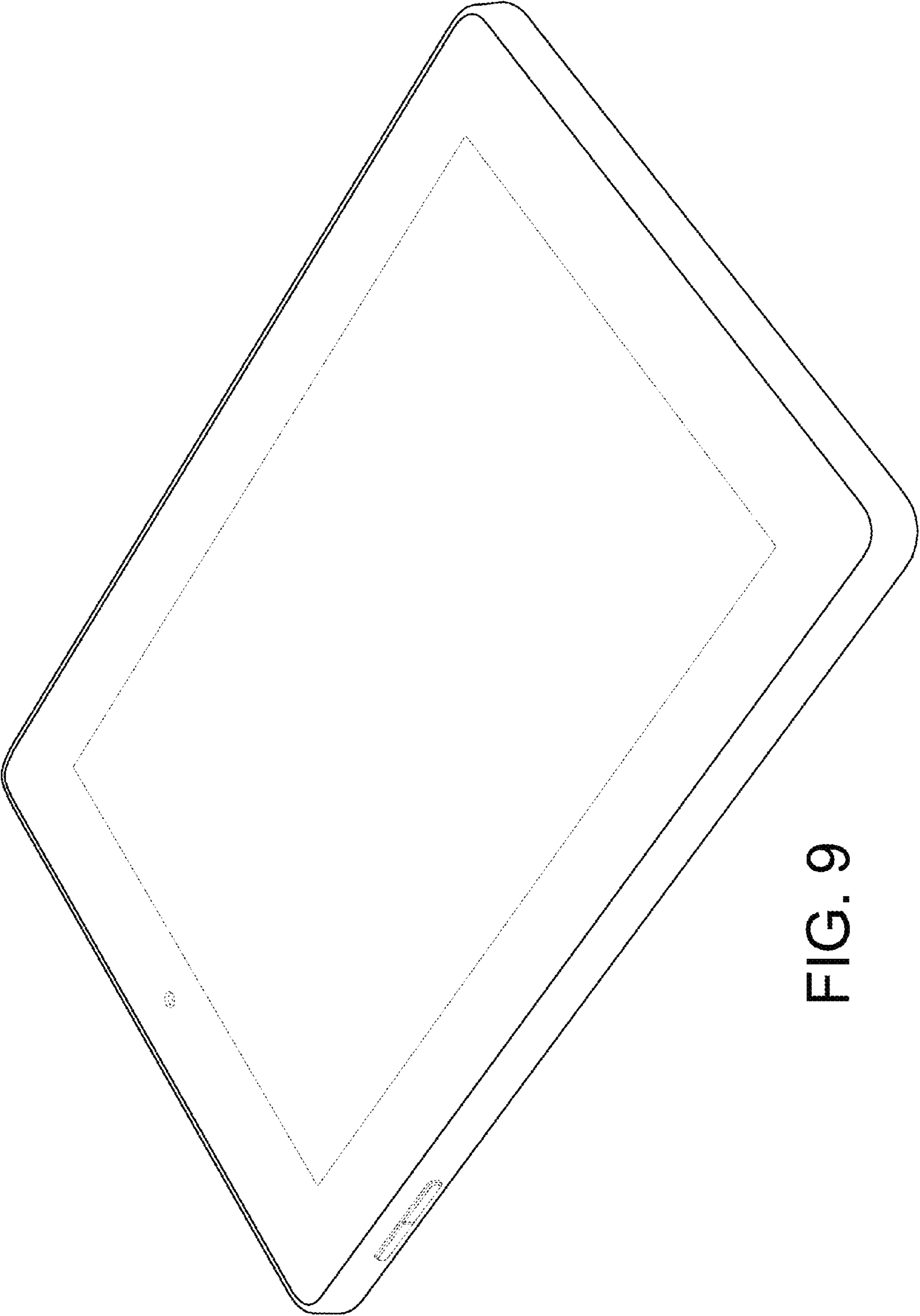


FIG. 9

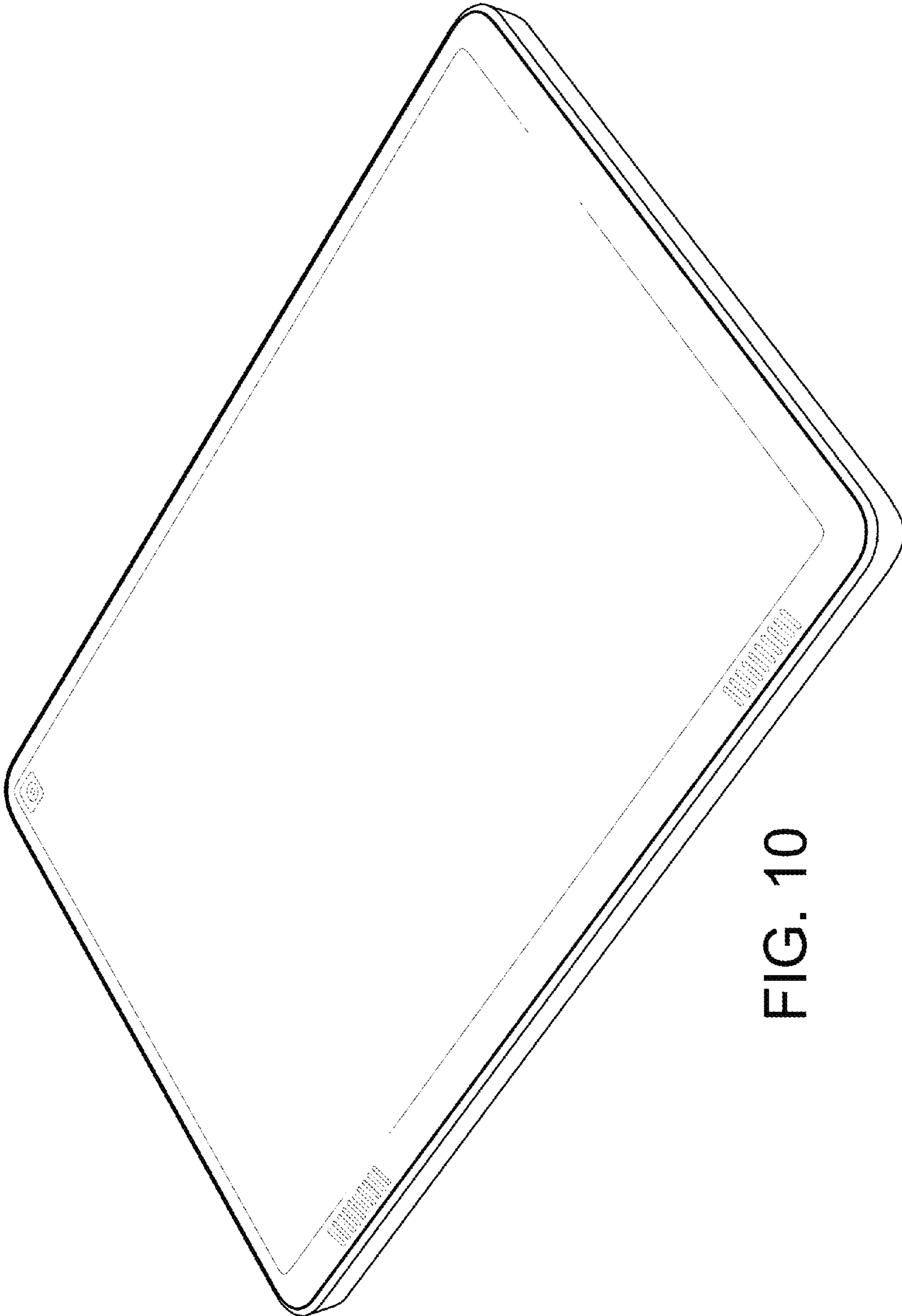


FIG. 10

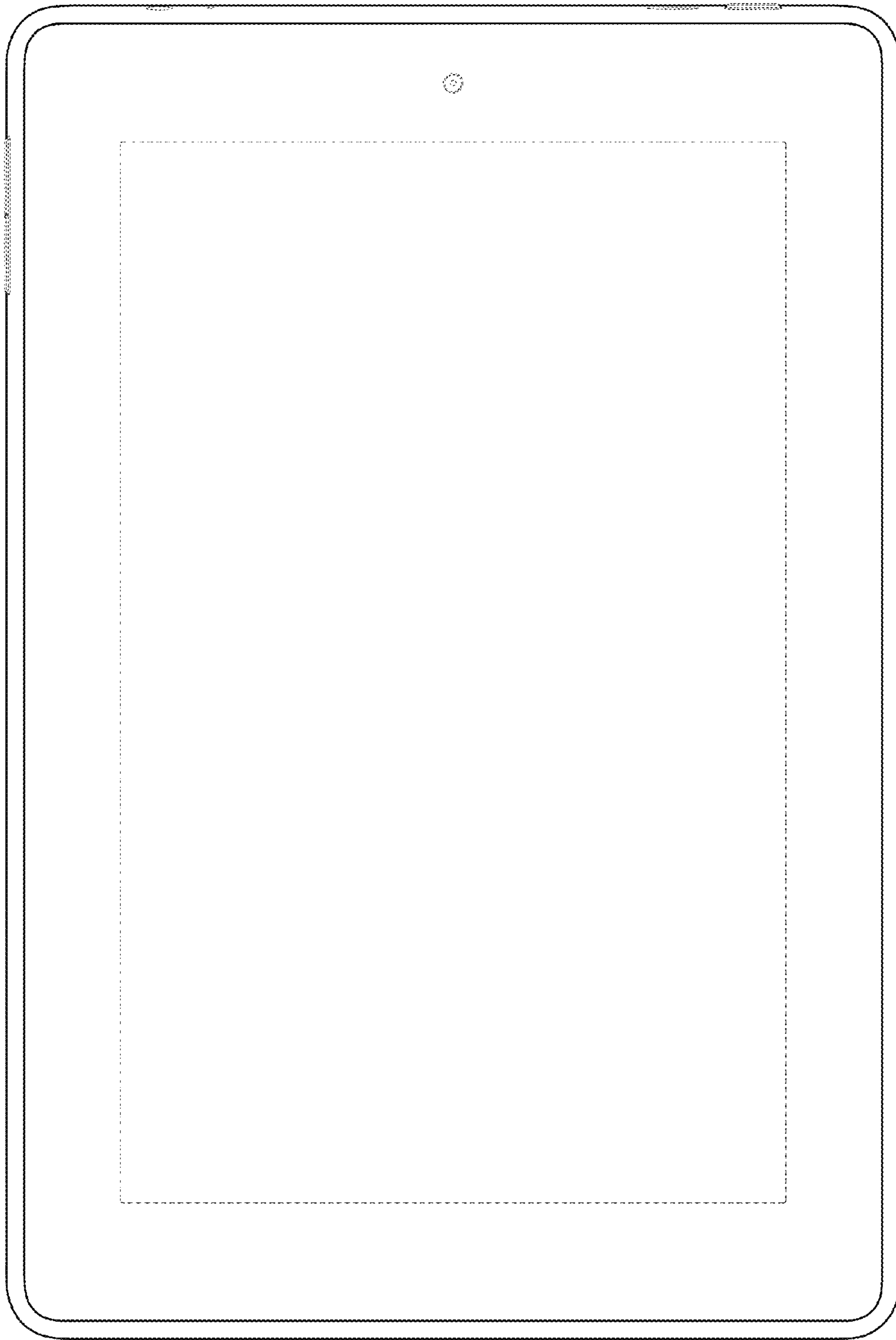


FIG. 11

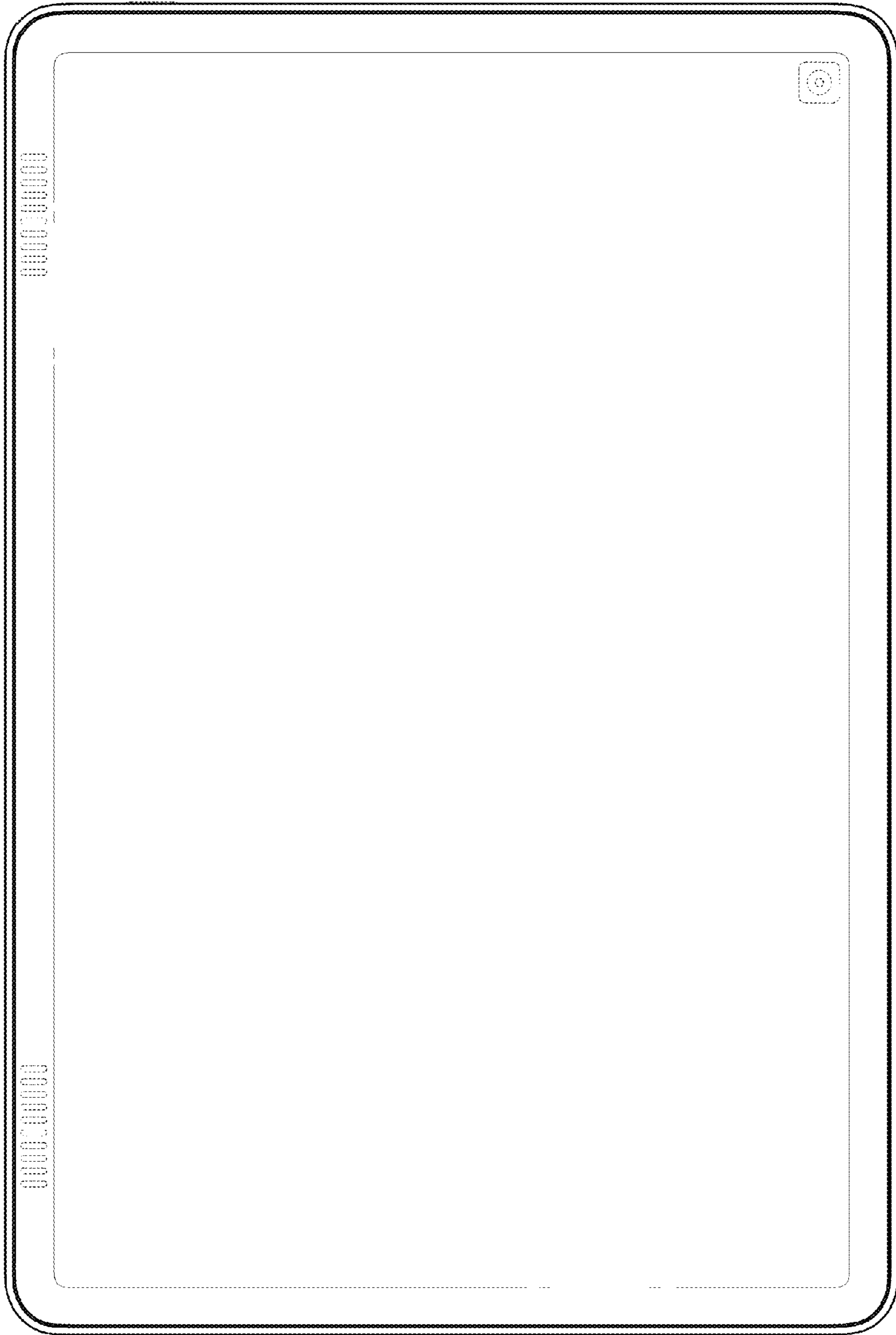


FIG. 12

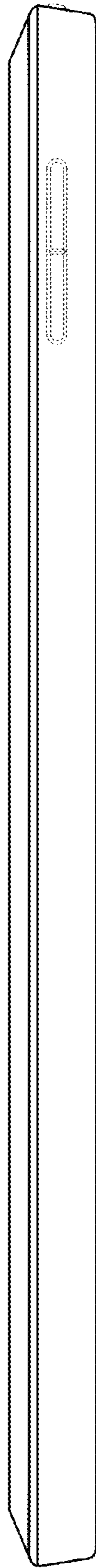


FIG. 13

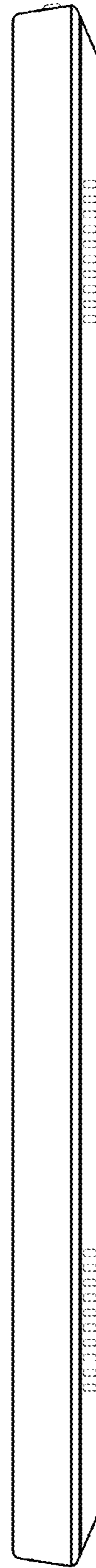


FIG. 14

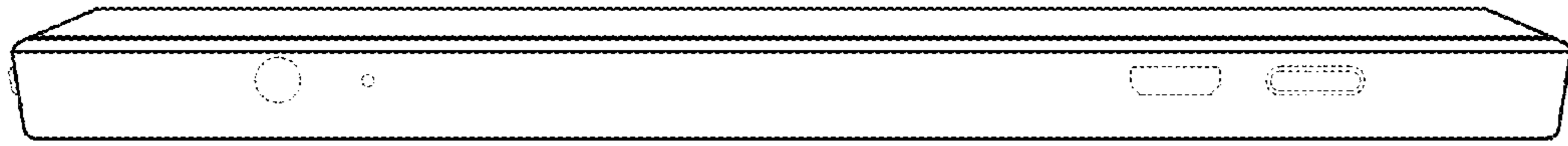


FIG. 15



FIG. 16