



US00D753099S

(12) **United States Design Patent**
Kim

(10) **Patent No.:** **US D753,099 S**

(45) **Date of Patent:** **** Apr. 5, 2016**

(54) **CASE FOR AN ELECTRONIC COMMUNICATIONS DEVICE**

6s-plus/products/iphone-6s-plus-case-tough-armor?variant=4039960961.*

(71) Applicant: **Dae-Young Kim**, Seoul (KR)

Primary Examiner — Robert M Spear

(72) Inventor: **Dae-Young Kim**, Seoul (KR)

Assistant Examiner — Ryan Harvey

(73) Assignee: **SPIGEN KOREA CO., LTD.**,
Geumcheon-Gu, Seoul (KR)

(74) *Attorney, Agent, or Firm* — East West Law Group;
Heedong Chae

(**) Term: **14 Years**

(57) **CLAIM**

The ornamental design for a case for an electronic communications device, as shown and described.

(21) Appl. No.: **29/511,948**

DESCRIPTION

(22) Filed: **Dec. 15, 2014**

(51) **LOC (10) Cl.** **14-03**

(52) **U.S. Cl.**
USPC **D14/250**

(58) **Field of Classification Search**
USPC D14/250, 341, 486, 252, 248, 217, 251,
D14/496, 253, 138 AD, 138 G, 346, 138 C,
D14/138 R, 138 AA, 202; D3/218, 203.2,
D3/201; D13/108, 103; 446/72; 455/559,
455/575.8, 556.1, 575.1, 90.3, 128; 439/39,
439/660; 361/679.56, 679.3, 679.55,
361/679.57; 312/223.1, 351.1; 248/689,
248/351, 465; 206/320, 37, 45.24, 316.2,
206/701, 811; 264/328.1; 29/428; 345/173;
220/212, 560, 622, 692, 782, 784, 788;
292/294, 301, DIG. 47
CPC Y10T 29/49826; A45C 11/00; A45C
2011/002; H04B 1/3888; G06F 1/1626
See application file for complete search history.

FIG. 1 is a front perspective view of a case for an electronic communications device showing my new design;
FIG. 2 is a rear perspective view thereof;
FIG. 3 is a front elevational view thereof;
FIG. 4 is a rear elevational view thereof;
FIG. 5 is a left side elevational view thereof;
FIG. 6 is a right side elevational view thereof;
FIG. 7 is a top plan view thereof;
FIG. 8 is a bottom plan view thereof;
FIG. 9 is a front perspective view of a protective film of the case, with the protective shell and frame shown removed for clarity of disclosure;
FIG. 10 is a rear perspective view of the protective film of the case, with the protective shell and frame shown removed for clarity of disclosure;
FIG. 11 is a front perspective view of a protective shell of the case, with the protective film and frame shown removed for clarity of disclosure;
FIG. 12 is a rear perspective view of the protective shell of the case, with the protective film and frame shown removed for clarity of disclosure;
FIG. 13 is a front perspective view of a protective frame of the case, with the protective film and shell shown removed for clarity of disclosure;
FIG. 14 is a rear perspective view of the protective frame of the case, with the protective film and shell shown removed for clarity of disclosure;
FIG. 15 is a front perspective exploded view of the case;
FIG. 16 is a rear perspective exploded view of the case; and,
FIG. 17 is a 17-17' cross sectional view of the case.

(56) **References Cited**

U.S. PATENT DOCUMENTS

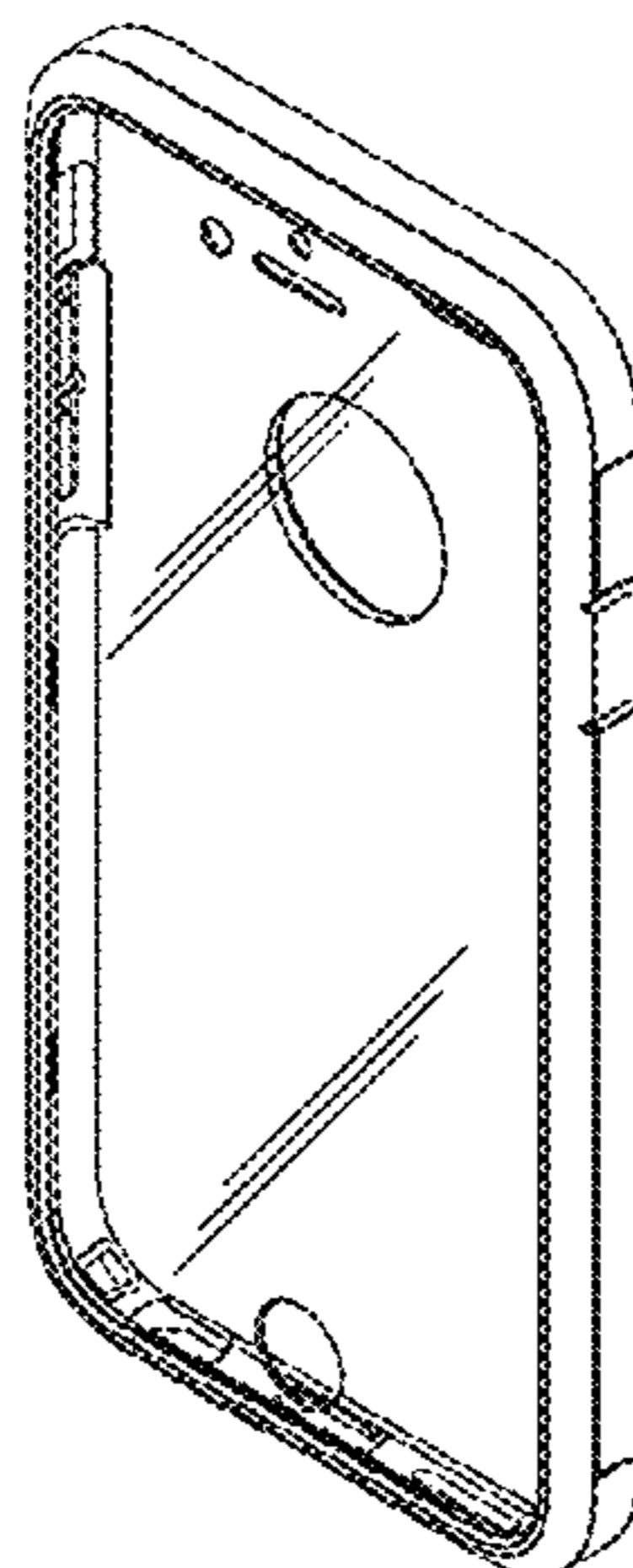
D312,534 S * 12/1990 Nelson D10/80
D615,078 S * 5/2010 Bradley D14/250

(Continued)

OTHER PUBLICATIONS

iPhone 6s Plus Case Tough Armor by Spigen no post date. Found online [Sep. 16, 2015] <http://www.spigen.com/collections/iphone->

1 Claim, 17 Drawing Sheets



(56)

References Cited

U.S. PATENT DOCUMENTS

D619,130 S *	7/2010	Fellig	D14/250	D719,559 S *	12/2014	Dukerschein	D14/250
D624,064 S *	9/2010	Esposito	D14/250	D725,643 S *	3/2015	Lee	D14/250
D626,119 S *	10/2010	Fellig	D14/250	D727,884 S *	4/2015	Fathollahi	D14/250
D644,218 S *	8/2011	Akana	D14/250	D730,344 S *	5/2015	Hemesath	D14/250
D655,281 S *	3/2012	Turocy	D14/250	D737,263 S *	8/2015	Armstrong	D14/250
D663,294 S *	7/2012	Buxton	D14/250	2009/0017883 A1 *	1/2009	Lin	A45C 11/00 455/575.8
D669,458 S *	10/2012	Wilson	D14/250	2012/0103844 A1 *	5/2012	Piedra	206/320
D671,930 S *	12/2012	Akana	D14/250	2013/0098790 A1 *	4/2013	Hong	A45C 11/00 206/320
D679,271 S *	4/2013	Liu	D13/103	2013/0257240 A1 *	10/2013	Hong	H04B 1/3888 312/223.1
8,522,965 B1 *	9/2013	Hsiung	B65D 25/24 206/320	2014/0051488 A1 *	2/2014	Chung	H04M 1/0279 455/575.8
D700,598 S *	3/2014	Kim	D14/250	2014/0110275 A1 *	4/2014	Wu	A45C 11/00 206/37
8,681,491 B1 *	3/2014	Cruz	H04M 1/04 248/351	2014/0262855 A1 *	9/2014	Gandhi	A45C 11/00 206/45.24
D706,254 S *	6/2014	Chang	D14/217	2015/0068935 A1 *	3/2015	Kay	A45C 13/36 206/320
D706,255 S *	6/2014	Akana	D14/250	2015/0194994 A1 *	7/2015	Soriano	H04B 1/3888 455/575.8
D712,890 S *	9/2014	McCormac	D14/250	2015/0194995 A1 *	7/2015	Fathollahi	H04B 1/3888 455/575.8
D717,286 S *	11/2014	Veldkamp	D14/250				
D717,777 S *	11/2014	Hemesath	D14/250				
D717,778 S *	11/2014	Zermeno	D14/250				
D718,291 S *	11/2014	Hong	D14/250				
D718,292 S *	11/2014	Hemesath	D14/250				

* cited by examiner

FIG. 1

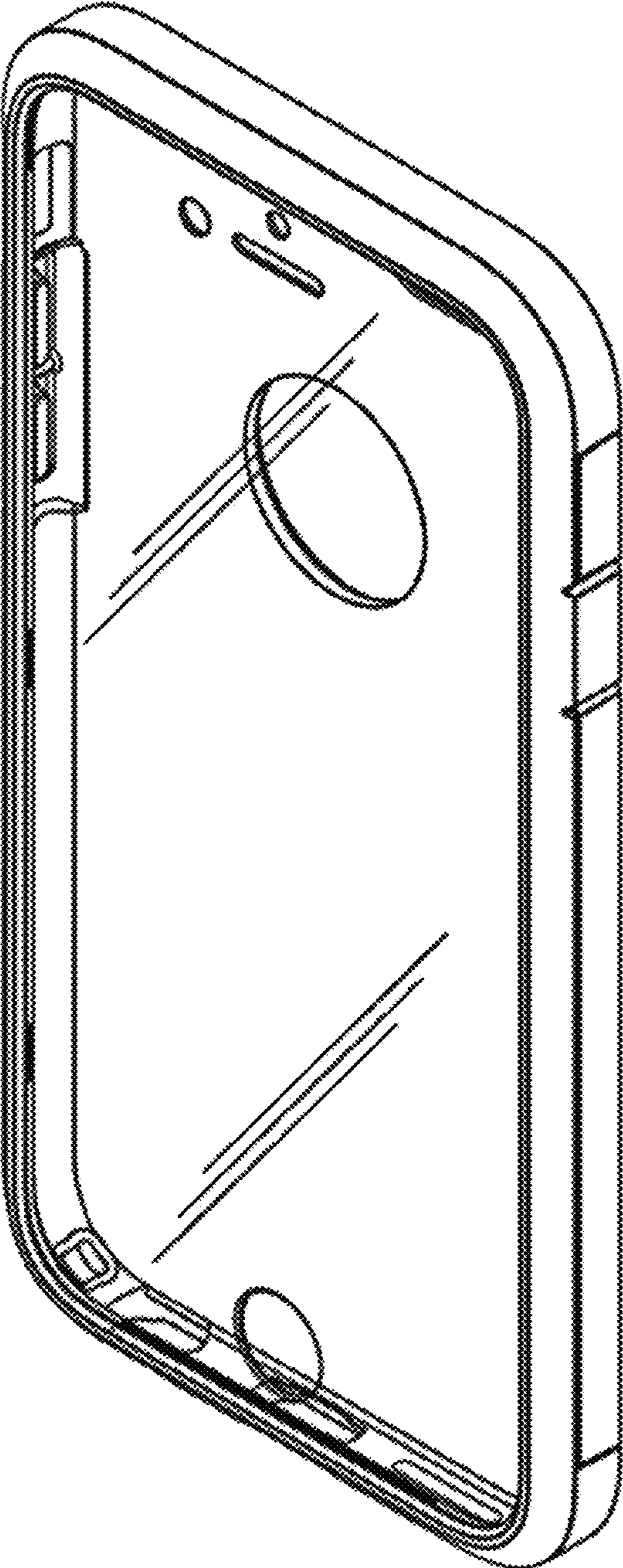


FIG. 2

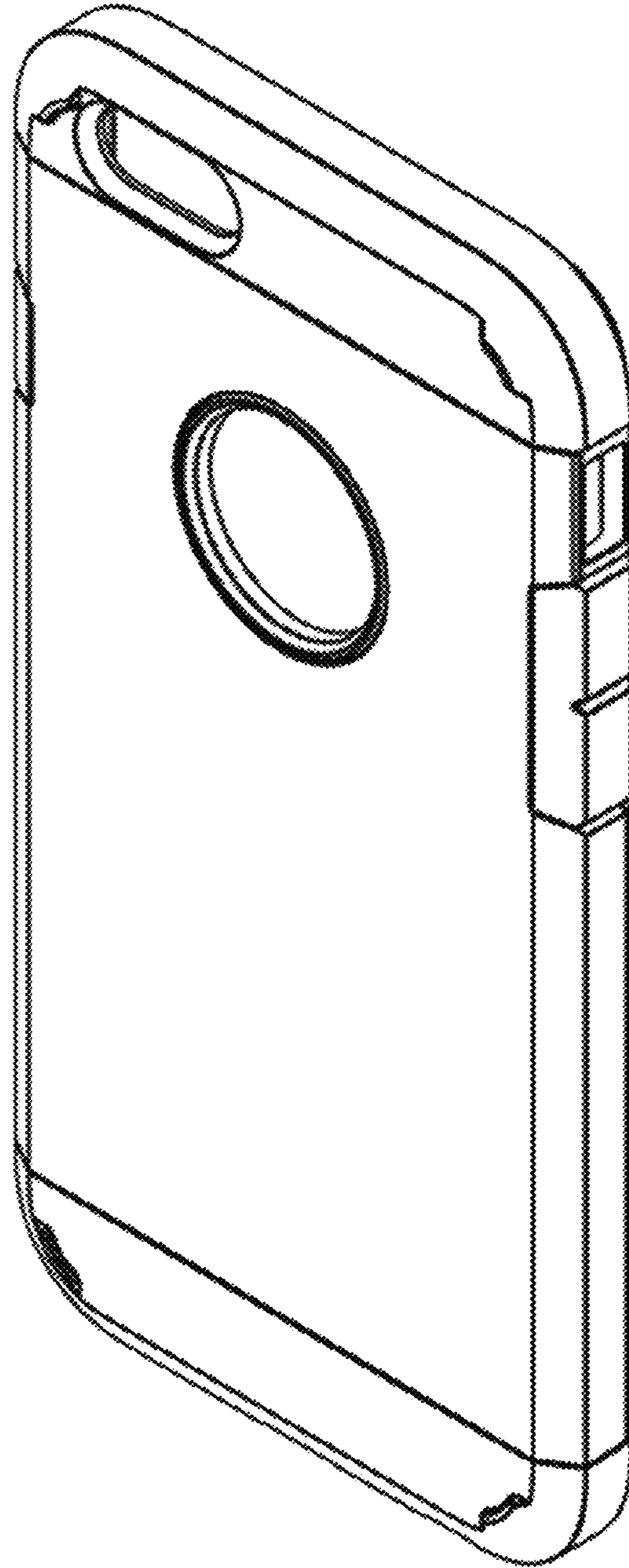


FIG. 3

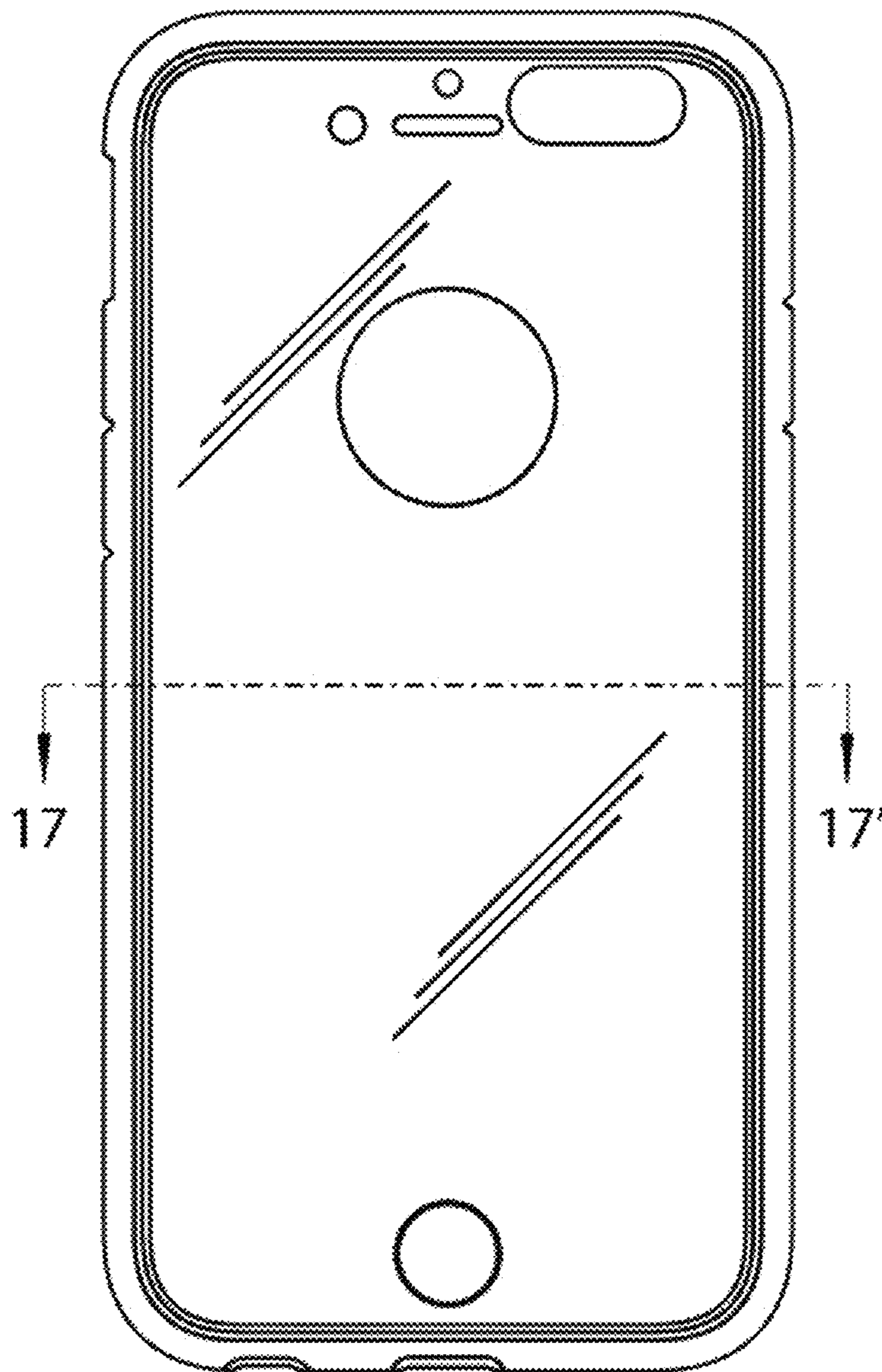


FIG. 4

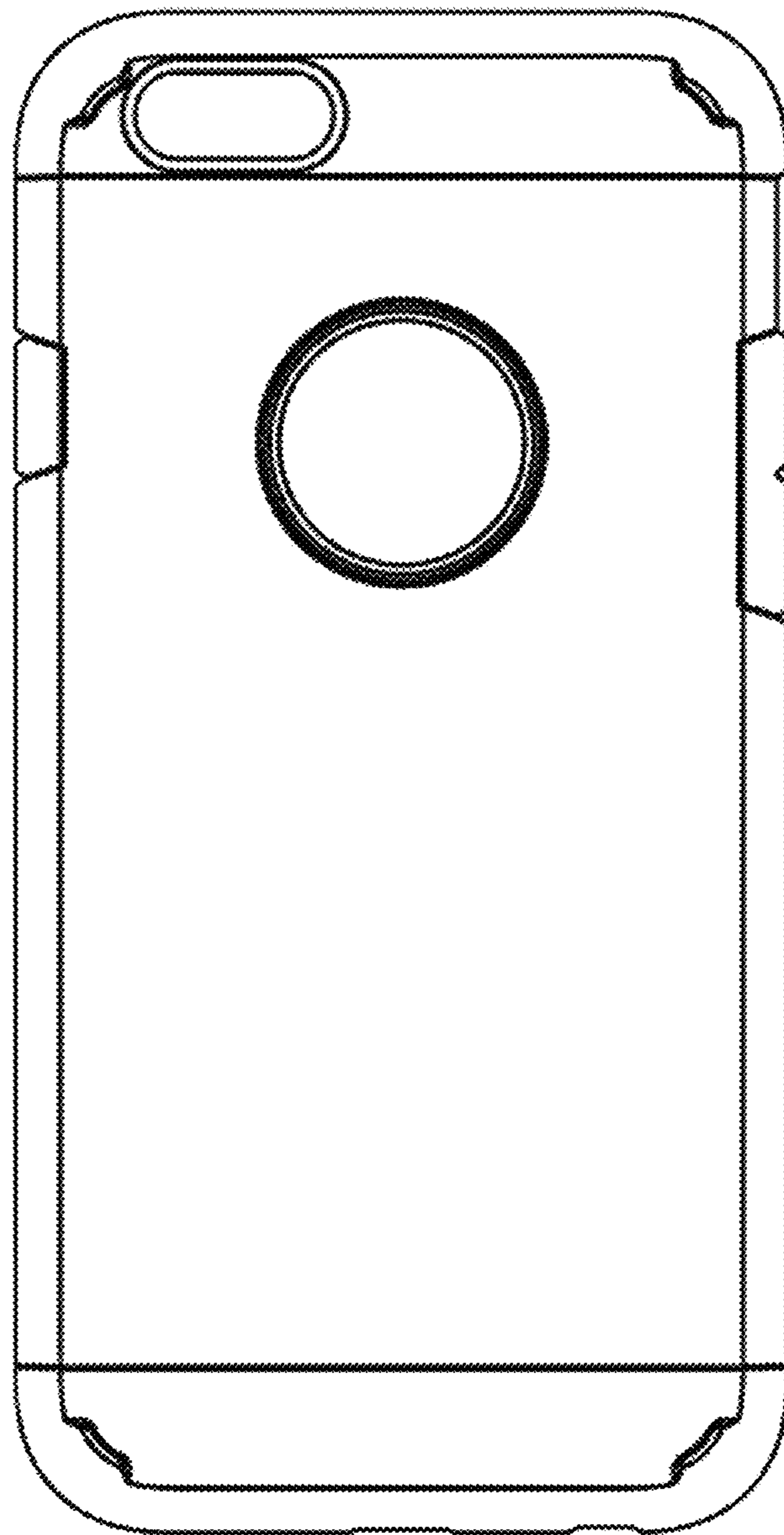


FIG. 5

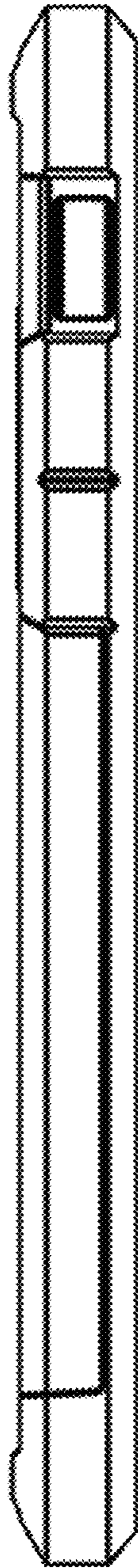


FIG. 6

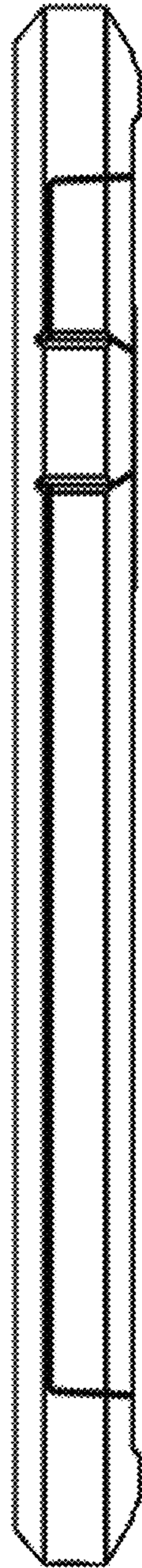


FIG. 7

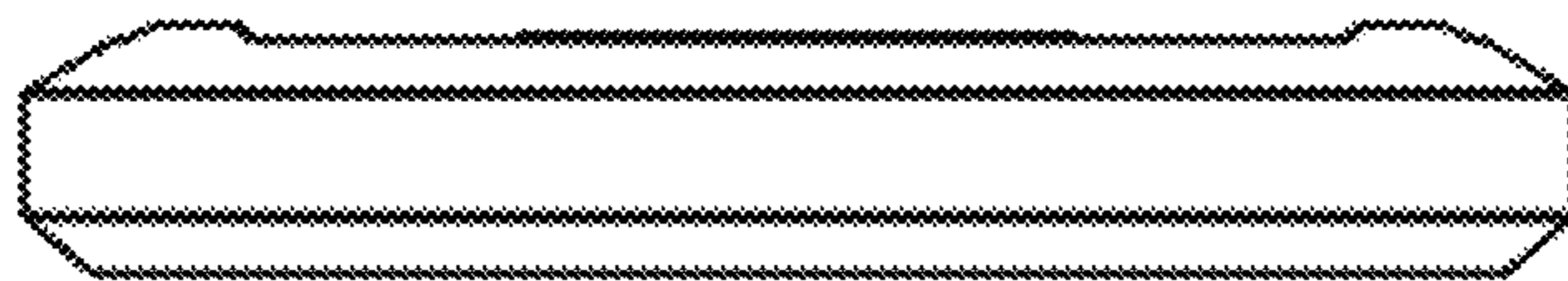


FIG. 8

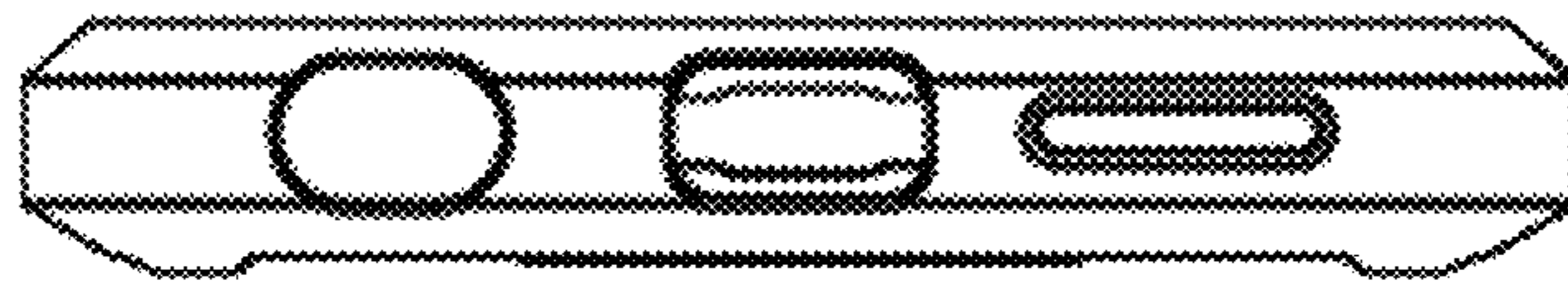


FIG. 9

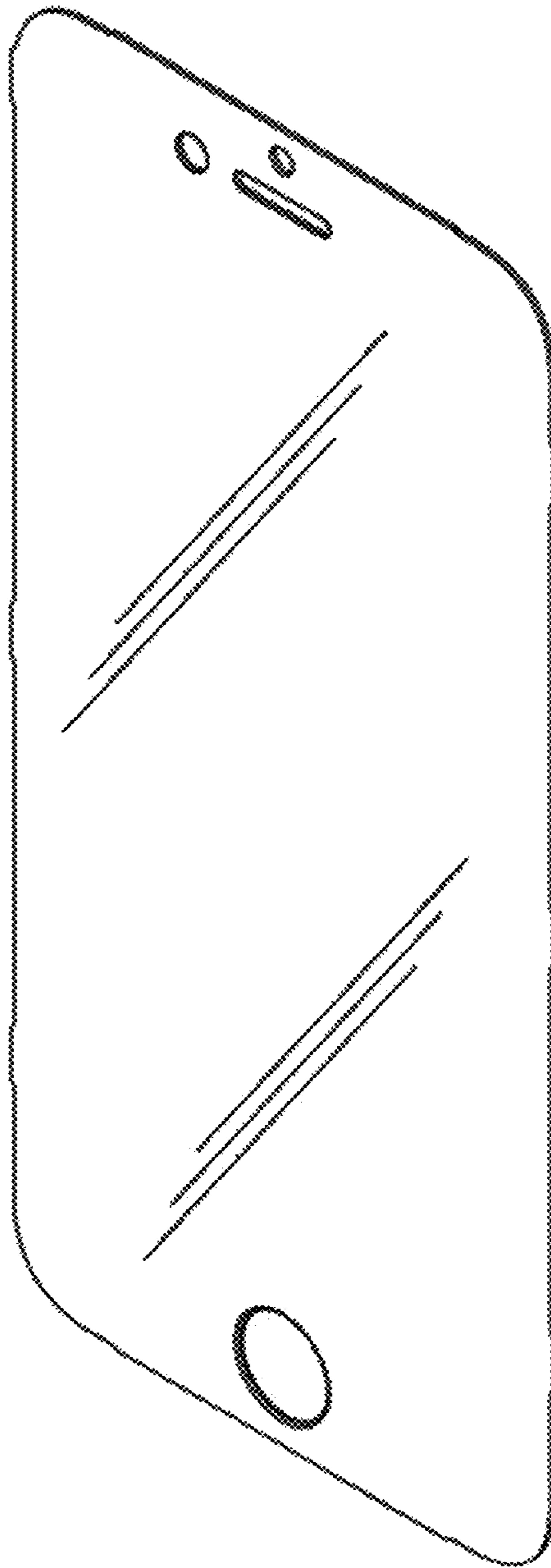


FIG. 10

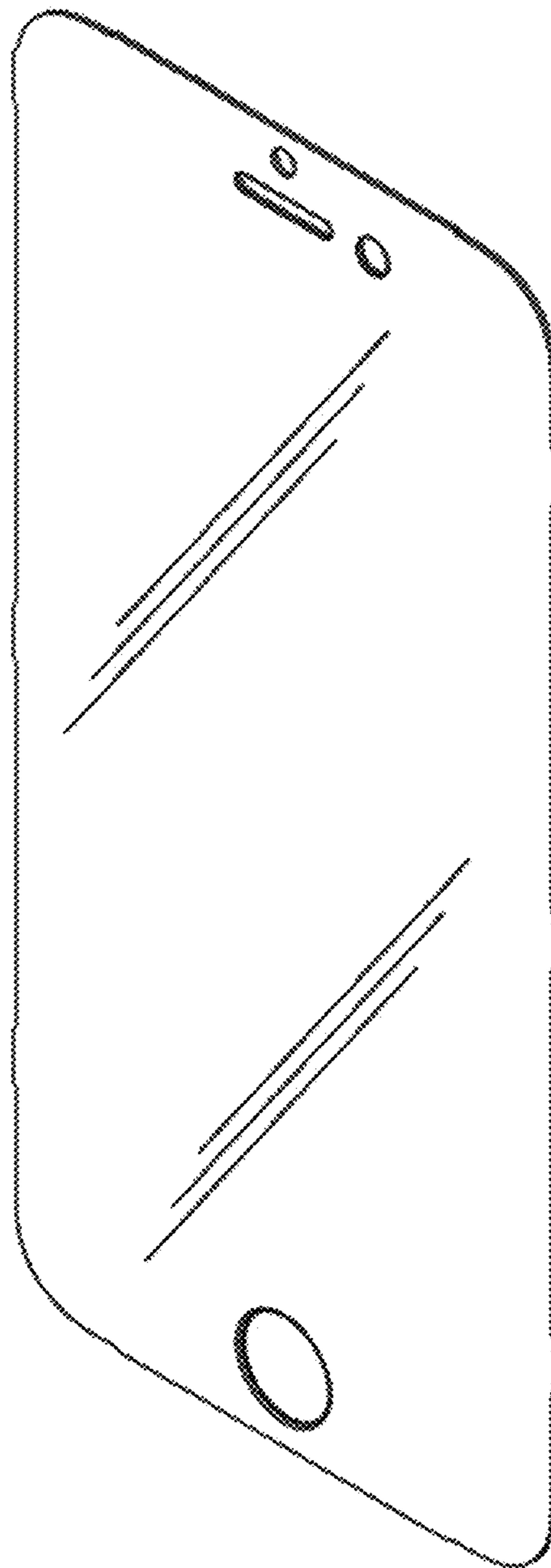


FIG. 11

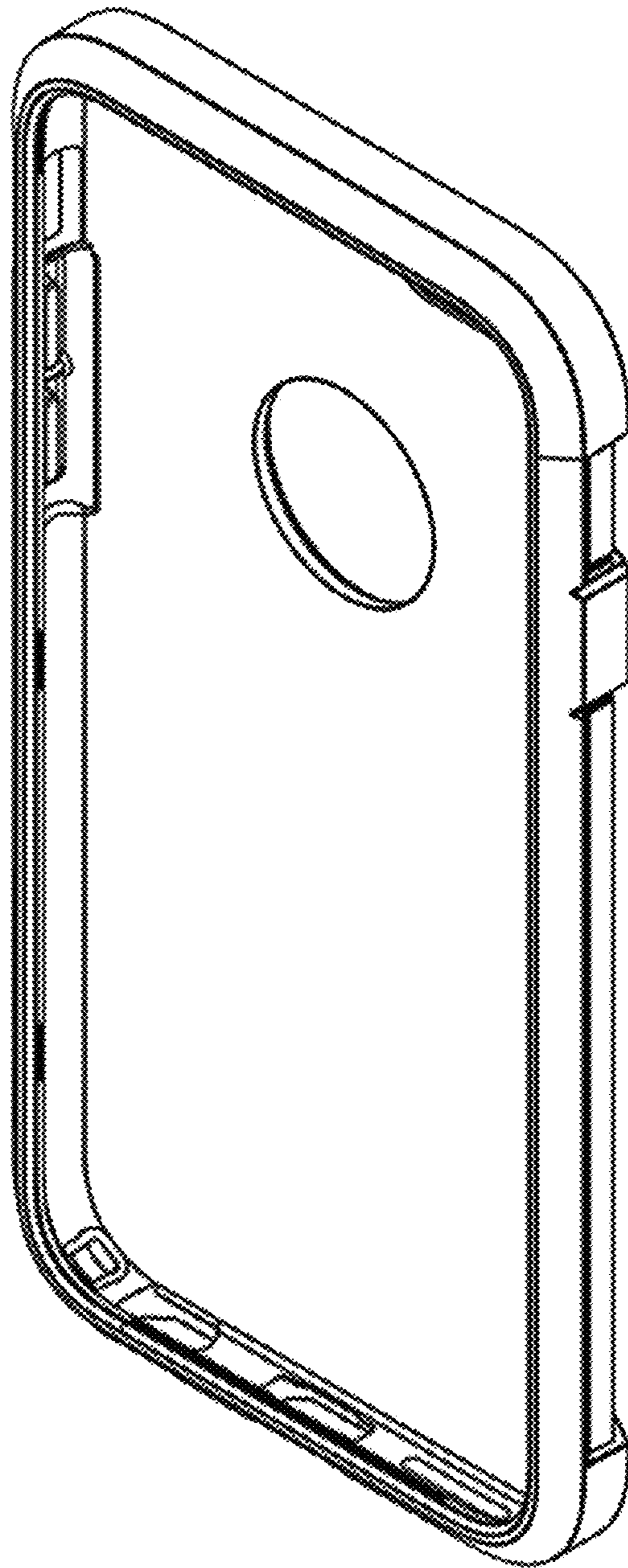


FIG. 12

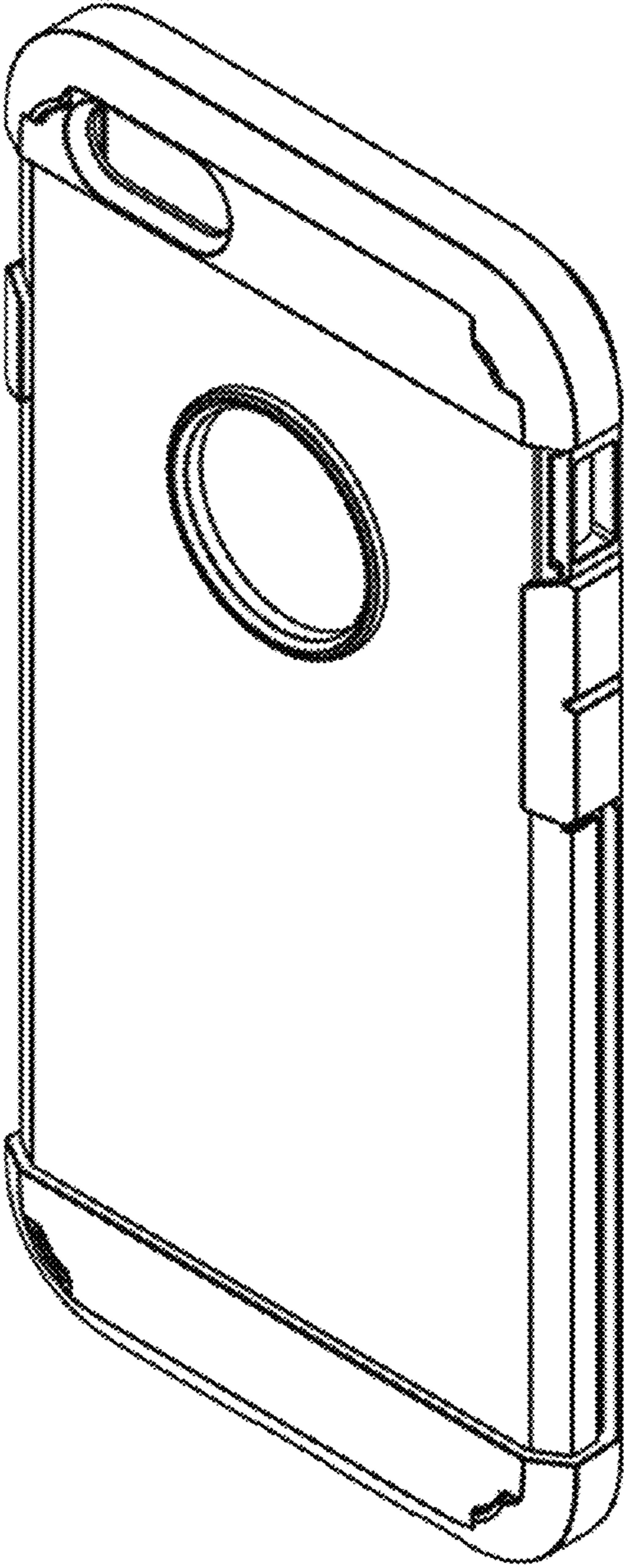


FIG. 13

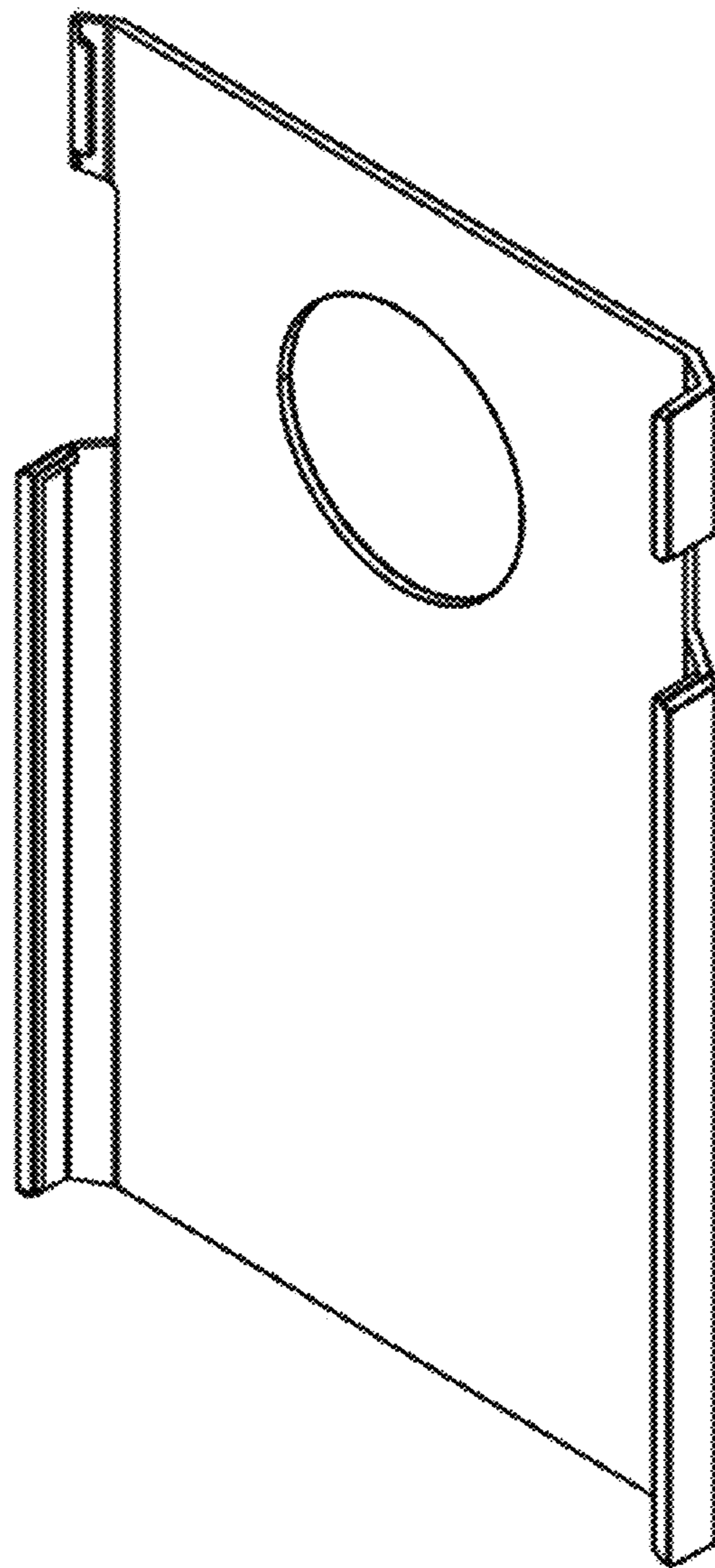


FIG. 14

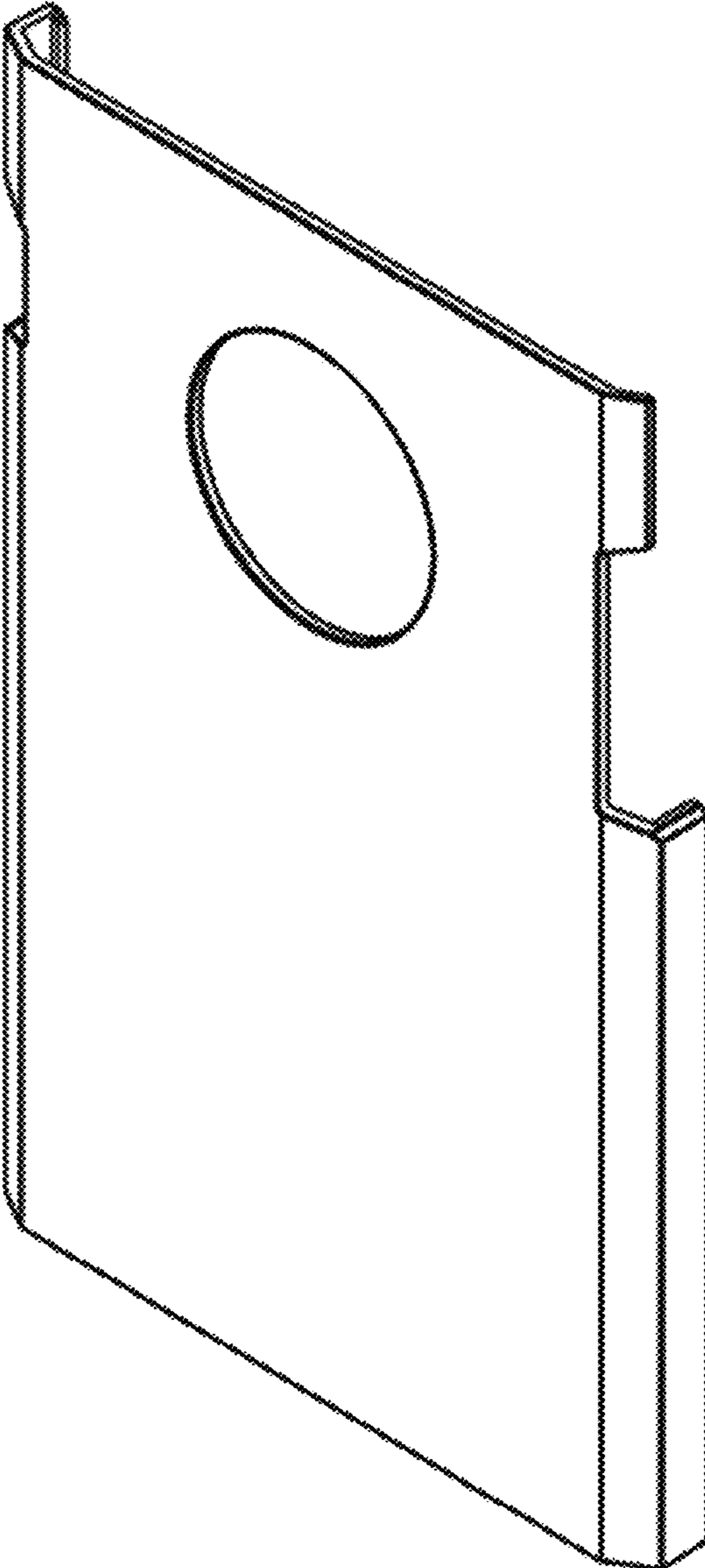


FIG. 15

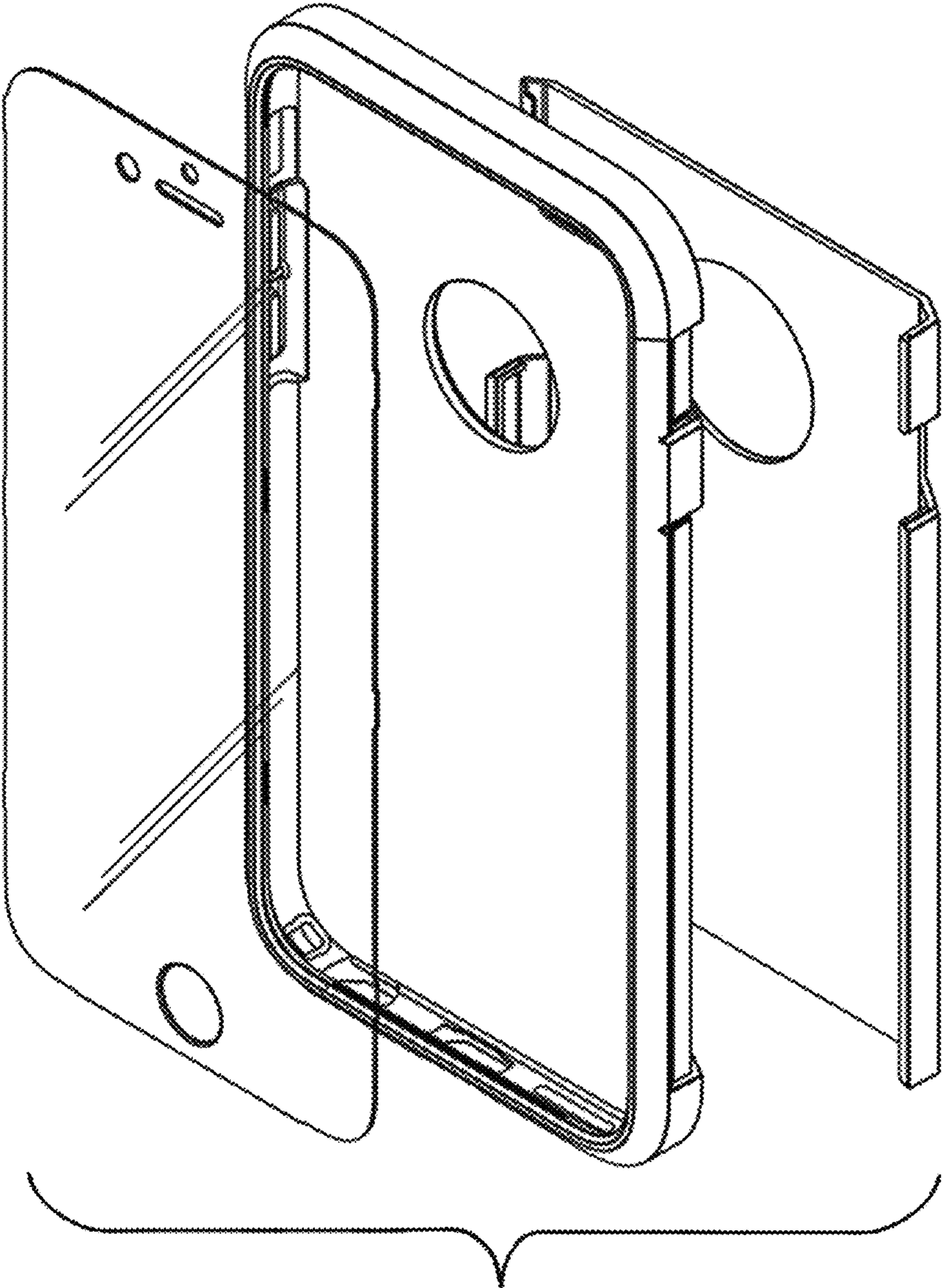


FIG. 16

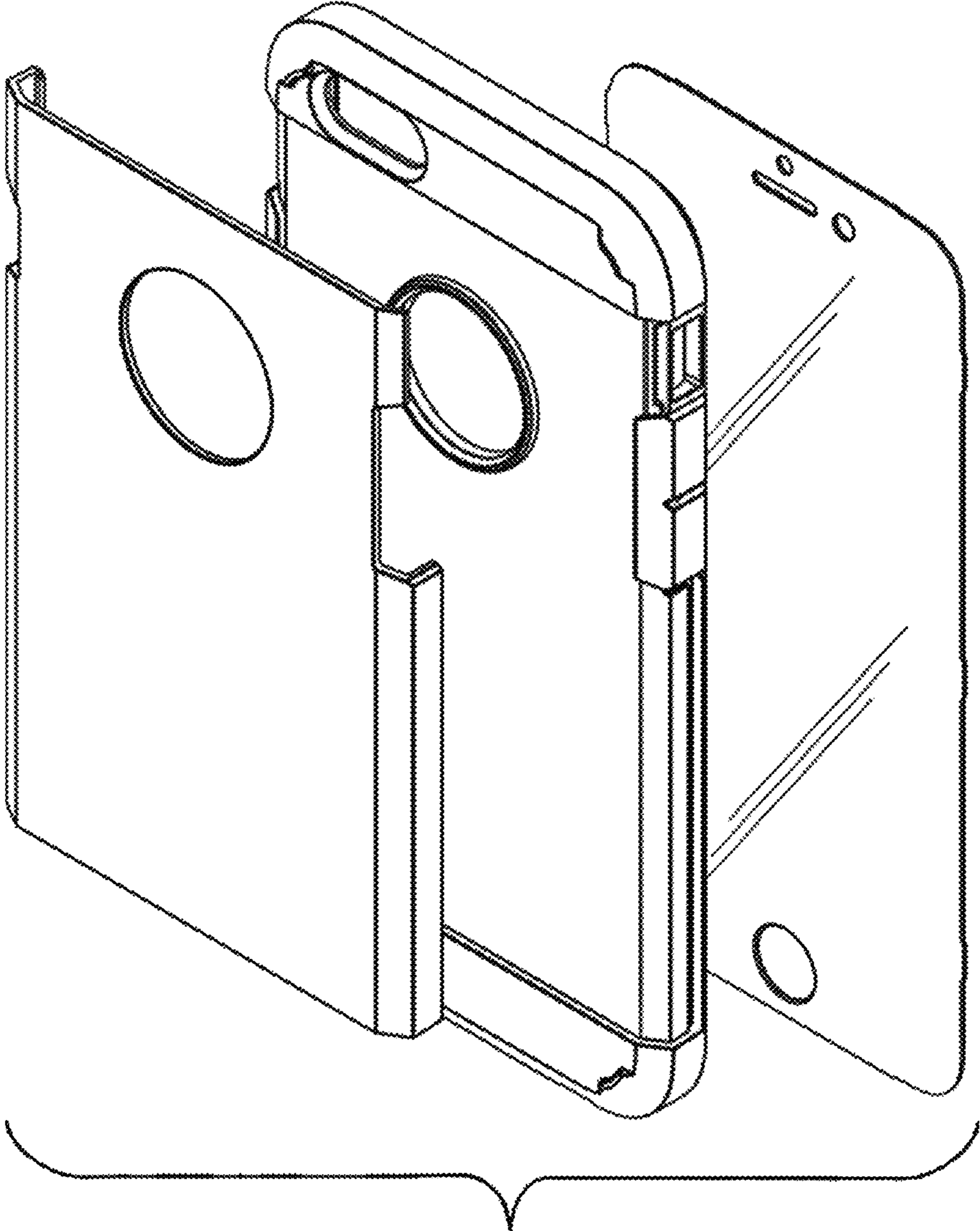


FIG. 17

