



US00D753097S

(12) **United States Design Patent**
Hochman et al.

(10) **Patent No.:** **US D753,097 S**
(45) **Date of Patent:** **** Apr. 5, 2016**

- (54) **MODULAR DISPLAY SUPPORT FRAME**
- (71) Applicant: **Revolution Display, LLC**, Glendale, CA (US)
- (72) Inventors: **Jeremy Hochman**, Los Angeles, CA (US); **Steve Danko**, Newbury Park, CA (US)
- (73) Assignee: **Revolution Display, LLC**, Glendale, CA (US)
- (**) Term: **15 Years**
- (21) Appl. No.: **29/542,916**
- (22) Filed: **Oct. 19, 2015**
- (51) **LOC (10) Cl.** **14-03**
- (52) **U.S. Cl.**
USPC **D14/239**
- (58) **Field of Classification Search**
USPC D14/125-134, 239, 371, 136, 374-377, D14/440, 450, 448, 336, 342; 312/7.2; 348/836, 838, 180, 184, 325, 739; 341/12; 248/917-924, 465, 309.2; 345/104, 133, 156, 168, 87, 173; 720/605, 669, 600, 655; 369/99, 197; 455/344, 347; D21/329, 515, 577, 622, D21/333, 433, 448, 452, 450, 331; D6/477, D6/479, 300; 273/148 B; 446/484, 175, 446/356; D10/15, 26; 361/801, 802, 754, 361/728; 257/88
CPC H04N 1/00
See application file for complete search history.

- D672,168 S * 12/2012 Davis D6/683.1
- D680,361 S 4/2013 Zobel et al.
- D687,253 S * 8/2013 McIntyre D6/705.6
- D736,992 S 8/2015 Chen et al.
- 2010/0243843 A1* 9/2010 Tait A47F 5/00
248/309.2

OTHER PUBLICATIONS

<http://www.coleder.com/product/indoor%20rental%20led%20display/20150915/625.aspx> (Last viewed Oct. 19, 2015).

http://www.aliexpress.com/store/product/fix-install-steel-cabinet-led-screen-tile-metal-material-customized-cabinet-use-for-p10-p16-p6/317449_849807942.html (Last viewed Oct. 19, 2015).

(Continued)

Primary Examiner — Randall Gholson
(74) *Attorney, Agent, or Firm* — Downs Rachlin Martin PLLC

(57) **CLAIM**

The ornamental design for a modular display support frame, as shown and described.

DESCRIPTION

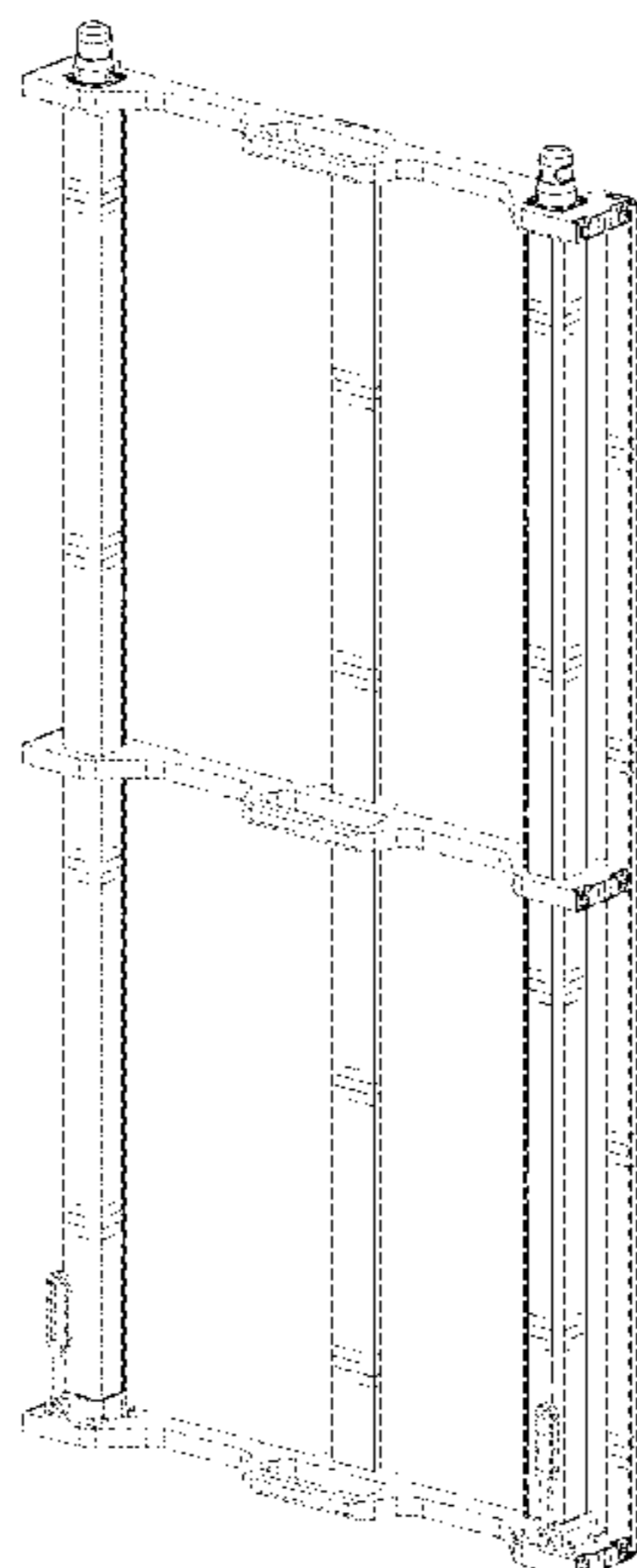
FIG. 1 is a rear perspective view of a modular display support frame showing our new design;
 FIG. 2 is a front perspective view thereof;
 FIG. 3 is a front view thereof;
 FIG. 4 is a rear view thereof;
 FIG. 5 is a side view thereof;
 FIG. 6 is a second side view thereof;
 FIG. 7 is a top view thereof;
 FIG. 8 is a bottom side view thereof; and,
 FIG. 9 is another rear perspective view thereof.
 The broken lines in the Figures are for the purpose of illustrating unclaimed portions of the modular display support frame and form no part of the claimed design.
 The shade lines in the Figures show contour and not surface ornamentation.

1 Claim, 9 Drawing Sheets

(56) **References Cited**

U.S. PATENT DOCUMENTS

- 5,031,781 A * 7/1991 Price A47F 7/163
211/128.1
- D637,025 S 5/2011 Colin
- D649,683 S * 11/2011 Trzesniowski D26/138
- D670,936 S * 11/2012 Davis D6/683.1



(56)

References Cited

OTHER PUBLICATIONS

<http://pixelflexled.com/products/flexgrid/> (Last viewed on Oct. 19, 2015).

<http://www.aliexpress.com/item/4mm-4-in-1-big-SMD-Full-color-LED-modules-1-16-scan-256-256mm-64/1443676135.html> (Last viewed on Oct. 19, 2015).

<http://www.verrents.com/products/led/outdoor-indoor-led/bb-25mm.htm> (Last viewed on Oct. 19, 2015).

<http://retopdisplay.com/4-1-standard-advertising-led-display.html/126684> (Last viewed on Oct. 19, 2015).

http://szgloshine.en.alibaba.com/products/showimg/1877736616-220872971/L4_81_New_cabinet_LED_Panel.html (Last viewed on Oct. 19, 2015).

<http://www.aliexpress.com/item/64CM-64CM-P10-indoor-led-display-after-assemble-flight-case-connector-p10-indoor-rgb-led-tile/799791014.html> (Last viewed Oct. 19, 2015).

<https://iceledscreens.wordpress.com/2012/10/23/magnetic-led-tiles-delivers-high-quality-images-with-remarkable-clarity/> (Last viewed on Oct. 19, 2015).

<http://led-diamond.com/EN/screens/index.php> (Last viewed Oct. 19, 2015).

http://www.barco.com/en/Products/LED-displays/LED---creative-modules/Creative-LED-light-panel_1.aspx (Last viewed on Oct. 19, 2015).

<https://www.christiedigital.com/SupportDocs/Anonymous/Christie-Velvet-LED-Specsheet.pdf> (Last viewed on Oct. 19, 2015).

<http://www.sixteen-nine.net/2014/08/29/led-tiles-you-can-snap-together-with-no-wires-like-kids-builder-sets/> (Last viewed on Oct. 19, 2015).

* cited by examiner

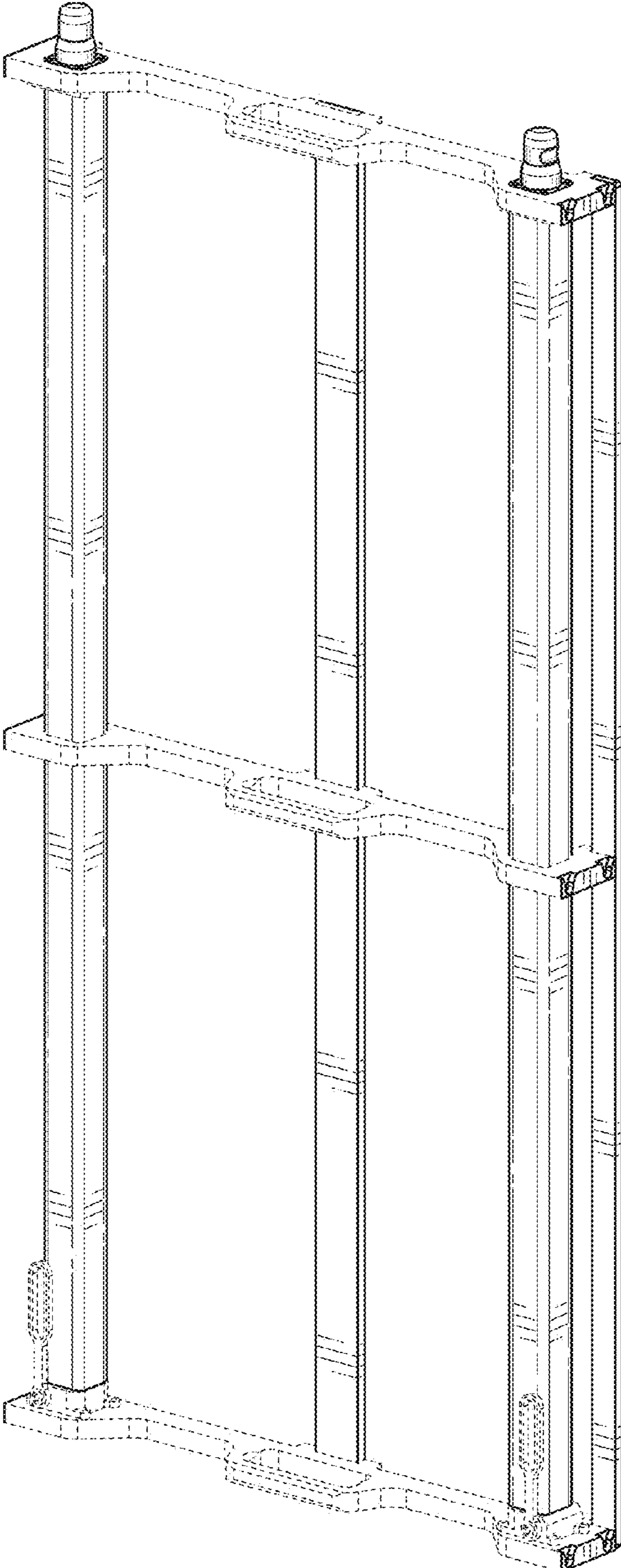


FIG. 1

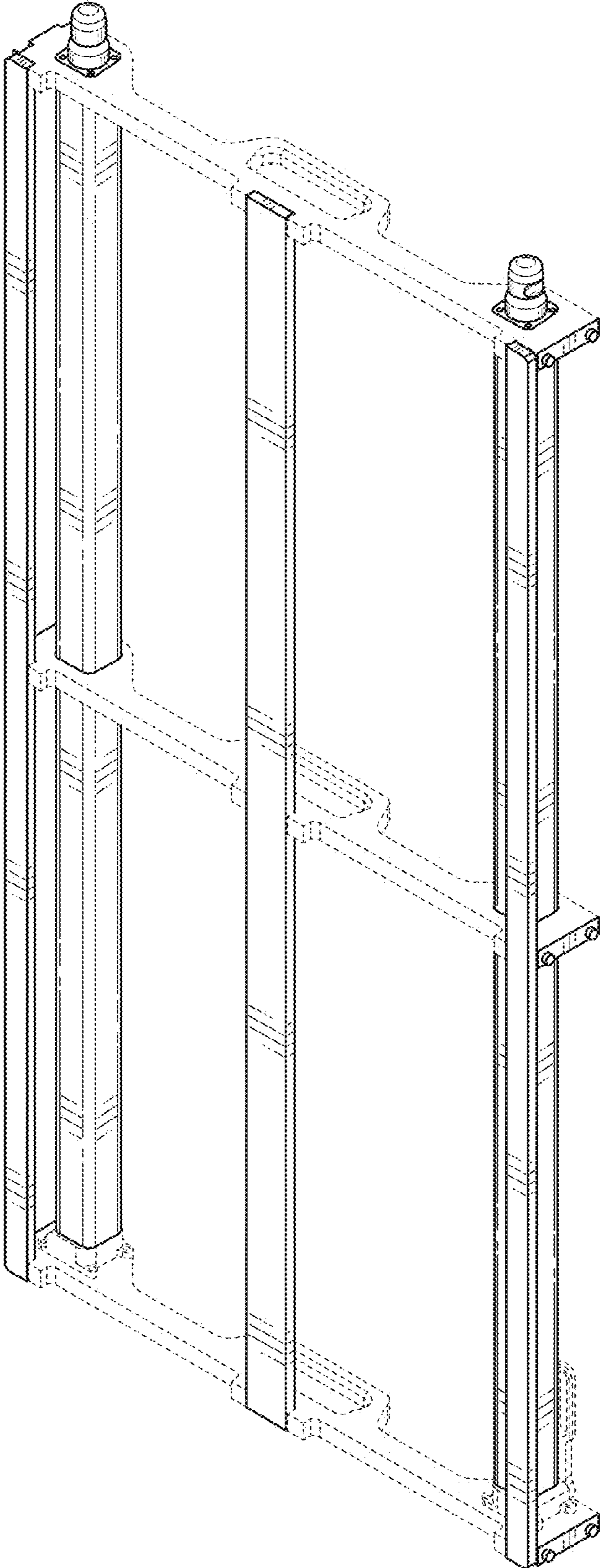


FIG. 2

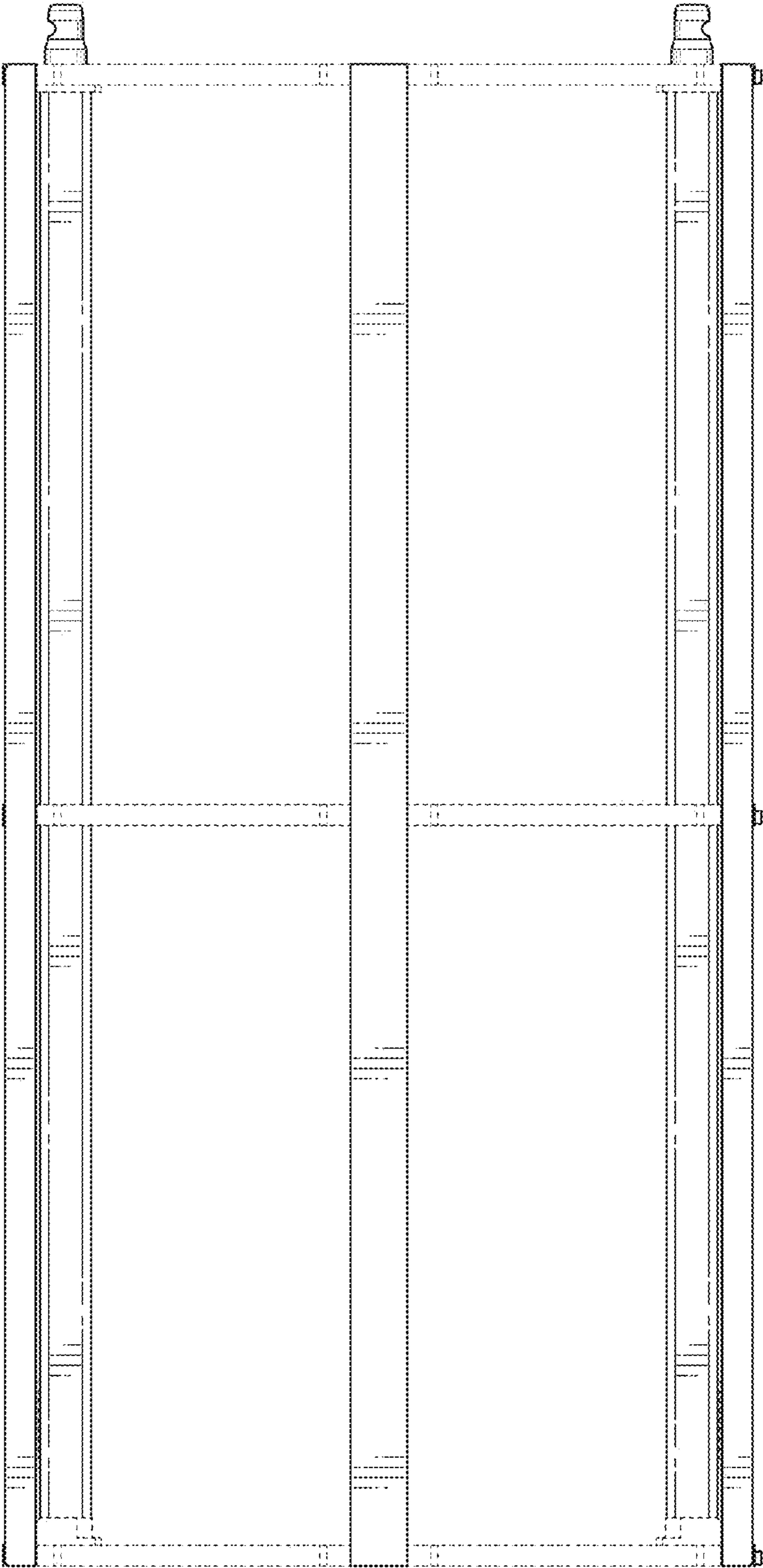


FIG. 3

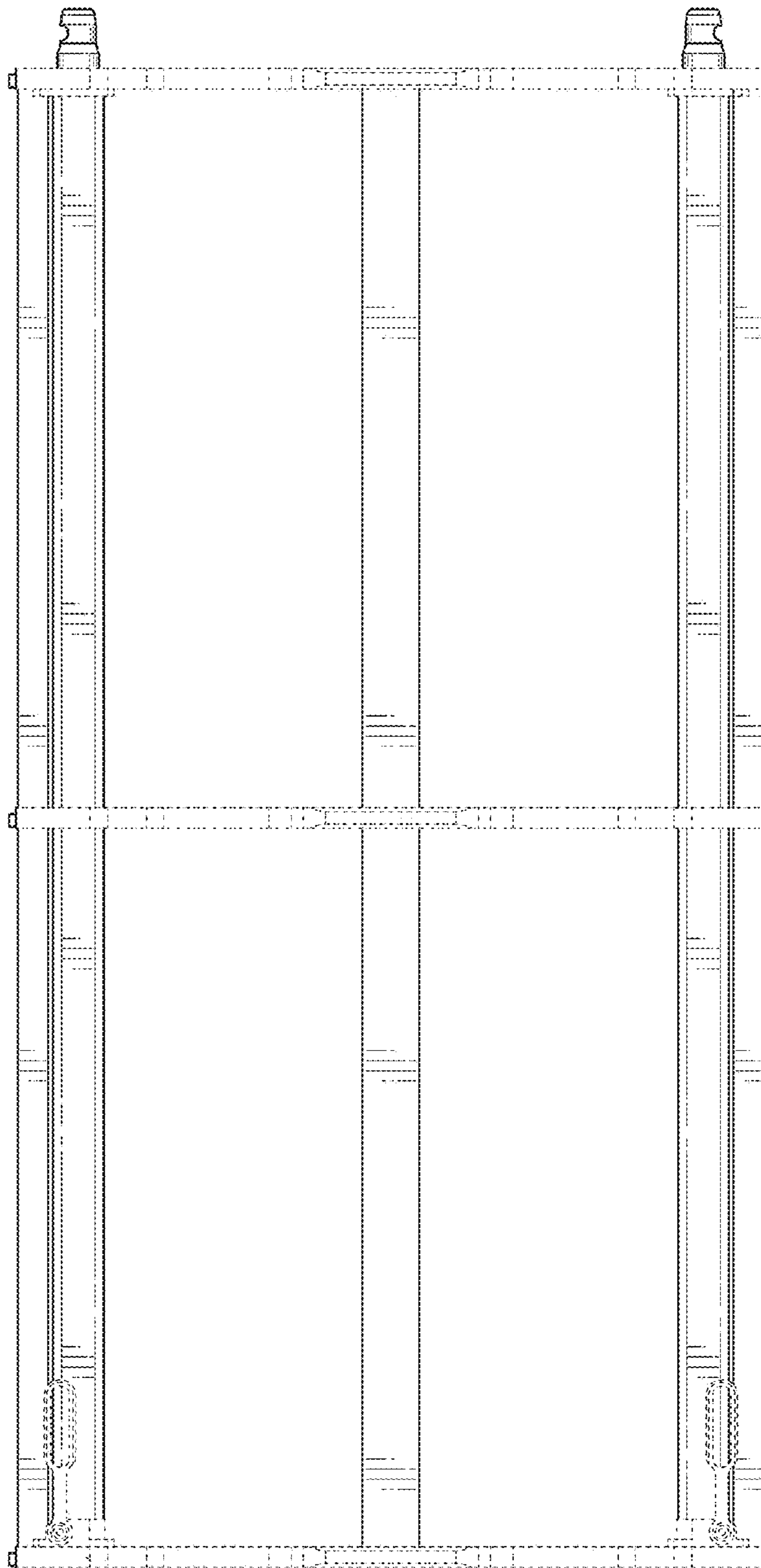


FIG. 4

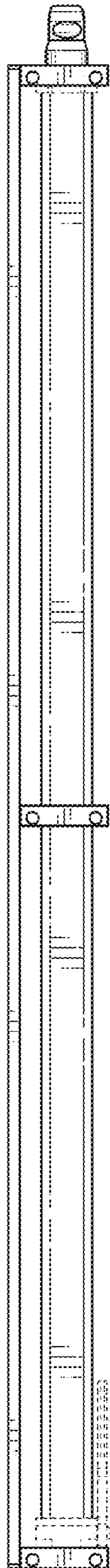


FIG. 5

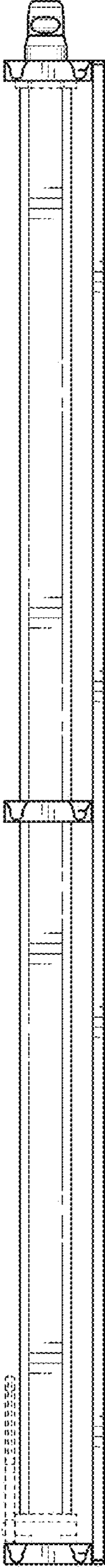


FIG. 6

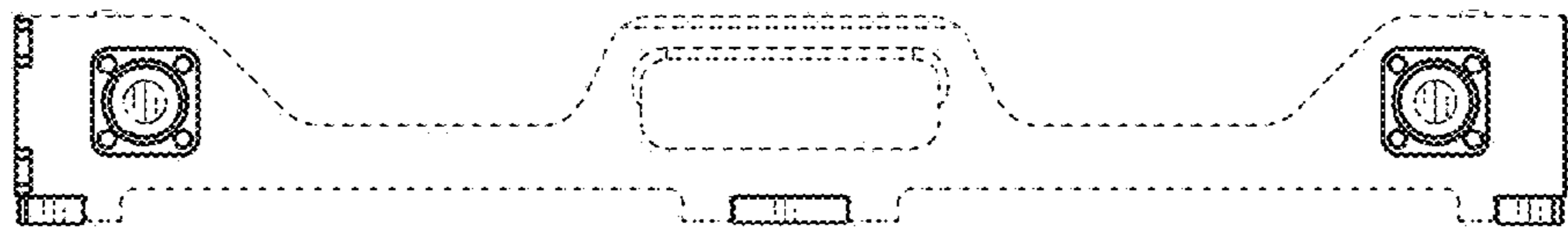


FIG. 7

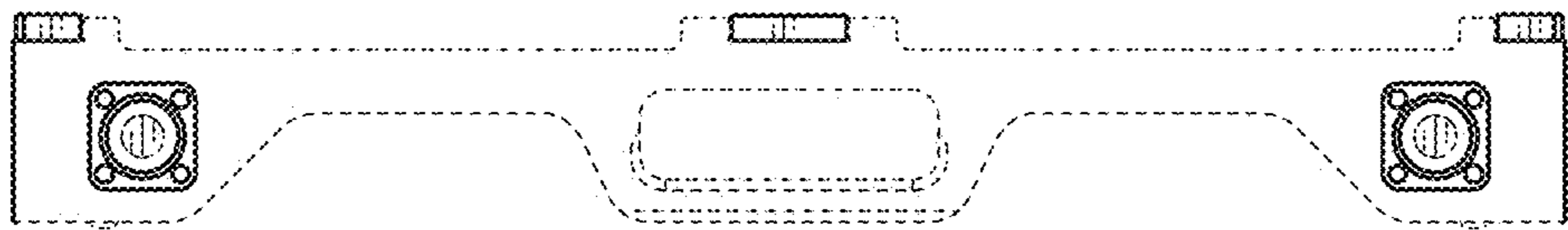


FIG. 8

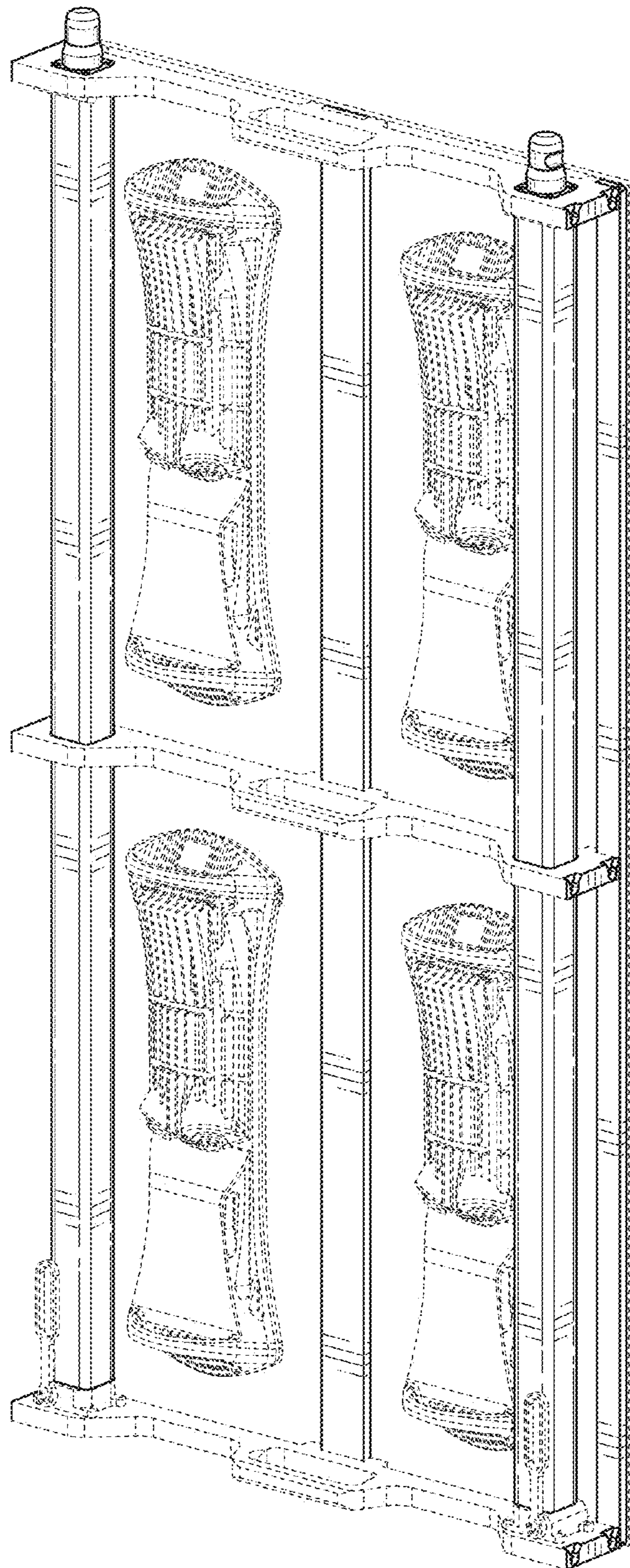


FIG. 9

UNITED STATES PATENT AND TRADEMARK OFFICE
CERTIFICATE OF CORRECTION

PATENT NO. : D753,097 S
APPLICATION NO. : 29/542916
DATED : April 5, 2016
INVENTOR(S) : Hochman et al.

Page 1 of 12

It is certified that error appears in the above-identified patent and that said Letters Patent is hereby corrected as shown below:

Please delete Pat. No. D753,097 S in its entirety and insert Pat. No. D753,097 S in its entirety as shown on the attached pages.

Signed and Sealed this
Fourteenth Day of November, 2017



Joseph Matal

*Performing the Functions and Duties of the
Under Secretary of Commerce for Intellectual Property and
Director of the United States Patent and Trademark Office*

(12) **United States Design Patent** (10) **Patent No.:** **US D753,097 S**
Hochman et al. (45) **Date of Patent:** **** Apr. 5, 2016**

(54) **MODULAR DISPLAY SUPPORT FRAME**
 (71) Applicant: **Revolution Display, LLC**, Glendale, CA (US)
 (72) Inventors: **Jeremy Hochman**, Los Angeles, CA (US); **Steve Danko**, Newbury Park, CA (US)

D649,683 S * 11/2011 Trzesniowski D26/138
 D670,936 S * 11/2012 Davis D6/683.1
 D672,168 S * 12/2012 Davis D6/683.1
 D680,361 S 4/2013 Zobel et al.
 D687,253 S * 8/2013 McIntyre D6/705.6
 D736,992 S 8/2015 Chen et al.
 2010/0243843 A1 * 9/2010 Tait A47F 5/00
 248/309.2

(73) Assignee: **Revolution Display, LLC**, Glendale, CA (US)
 (**) Term: **15 Years**

OTHER PUBLICATIONS
<http://www.coleder.com/product/indoor%20rental%20led%20display/20150915/625.aspx> (Last viewed Oct. 19, 2015).
 (Continued)

(21) Appl. No.: **29/542,916**
 (22) Filed: **Oct. 19, 2015**
 (51) **LOC (10) Cl.** **14-03**
 (52) **U.S. Cl.**
 USPC **D14/239**
 (58) **Field of Classification Search**
 USPC D14/125-134, 239, 371, 136, 374-377, D14/440, 450, 448, 336, 342; 312/7.2; 348/836, 838, 180, 184, 325, 739; 341/12; 248/917-924, 465, 309.2; 345/104, 133, 156, 168, 87, 173; 720/605, 669, 600, 655; 369/99, 197; 455/344, 347; D21/329, 515, 577, 622, D21/333, 433, 448, 452, 450, 331; D6/477, 479, 300; 273/148 B; 446/484, 446/175, 356; D10/15, 26; 361/801, 361/802, 754, 728; 257/88
 CPC H04N 1/00
 See application file for complete search history.

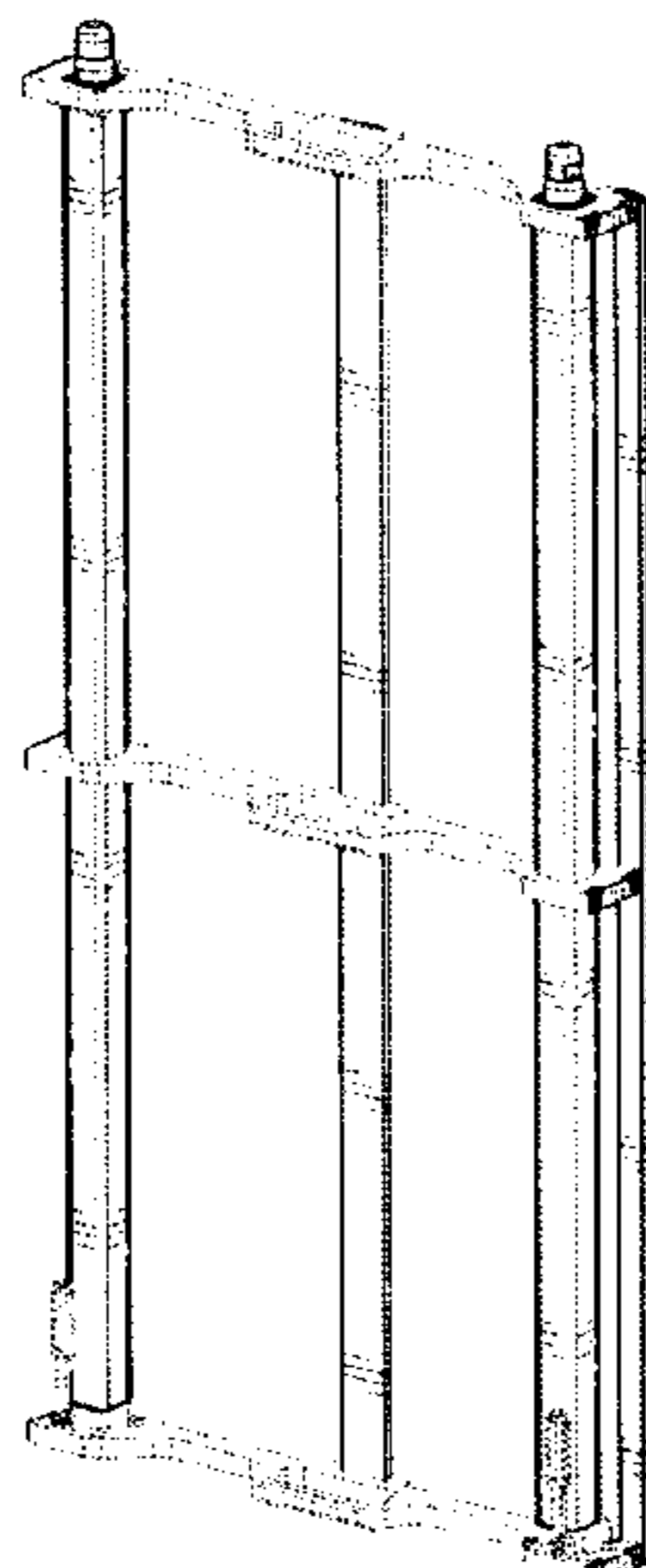
Primary Examiner — Randall Gholson
 (74) *Attorney, Agent, or Firm* — Downs Rachlin Martin PLLC

(57) **CLAIM**
 The ornamental design for a modular display support frame, as shown and described.

DESCRIPTION
 FIG. 1 is a rear perspective view of a modular display support frame showing our new design; FIG. 2 is a front perspective view thereof; FIG. 3 is a front view thereof; FIG. 4 is a rear view thereof; FIG. 5 is a side view thereof; FIG. 6 is a second side view thereof; FIG. 7 is a top view thereof; FIG. 8 is a bottom side view thereof; and, FIG. 9 is another rear perspective view thereof. The broken lines in the Figures are for the purpose of illustrating unclaimed portions of the modular display support frame and form no part of the claimed design. The shade lines in the Figures show contour and not surface ornamentation.

(56) **References Cited**
 U.S. PATENT DOCUMENTS
 5,031,781 A * 7/1991 Price A47F 7/163
 211/128.1
 D637,025 S 5/2011 Colin

1 Claim, 9 Drawing Sheets



US D753,097 S

Page 2

(56)

References Cited**OTHER PUBLICATIONS**

http://www.aliexpress.com/store/product/fix-install-steel-cabinet-led-screen-tile-metal-material-customized-cabinet-use-for-p10-p16-p6/317449_849807942.html (Last viewed Oct. 19, 2015).
<http://pixelflexled.com/products/flexgrid/> (Last viewed on Oct. 19, 2015).
<http://www.aliexpress.com/item/4mm-4-in-1-big-SMD-Full-color-LED-modules-1-16-scan-256-256mm-64/1443676135.html> (Last viewed on Oct. 19, 2015).
<http://www.verrents.com/products/led/outdoor-indoor-led/bb-25mm.htm> (Last viewed on Oct. 19, 2015).
<http://retopdisplay.com/4-1-standard-advertising-led-display.html/126684> (Last viewed on Oct. 19, 2015).
http://szgloshine.en.alibaba.com/productshowimg/1877736616-220872971/L4_81_New_cabinet_LED_Panel.html (Last viewed on Oct. 19, 2015).

<http://www.aliexpress.com/item/64CM-64CM-P10-indoor-led-display-after-assemble-flight-case-connector-p10-indoor-rgb-led-tile/799791014.html> (Last viewed Oct. 19, 2015).
<https://iceledscreens.wordpress.com/2012/10/23/magnetic-led-tiles-delivers-high-quality-images-with-remarkable-clarity/> (Last viewed on Oct. 19, 2015).
<http://led-diamond.com/EN/screens/index.php> (Last viewed Oct. 19, 2015).
http://www.barco.com/en/Products/LED-displays/LED---creative-modules/Creative-LED-light-panel_1.aspx (Last viewed on Oct. 19, 2015).
<https://www.christiedigital.com/SupportDocs/Anonymous/Christie-Velvet-LED-Specsheet.pdf> (Last viewed on Oct. 19, 2015).
<http://www.sixteen-nine.net/2014/08/29/led-tiles-you-can-snap-together-with-no-wires-like-kids-builder-sets/> (Last viewed on Oct. 19, 2015).

* cited by examiner

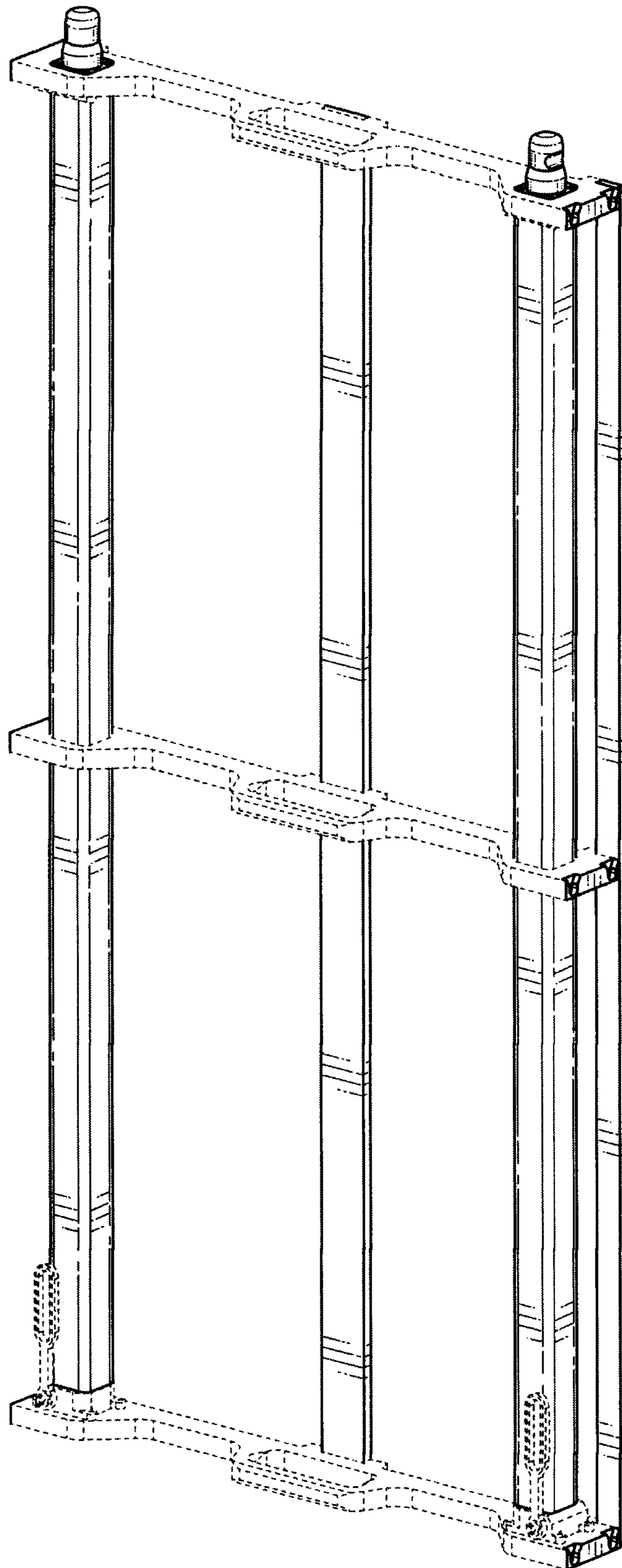


FIG. 1

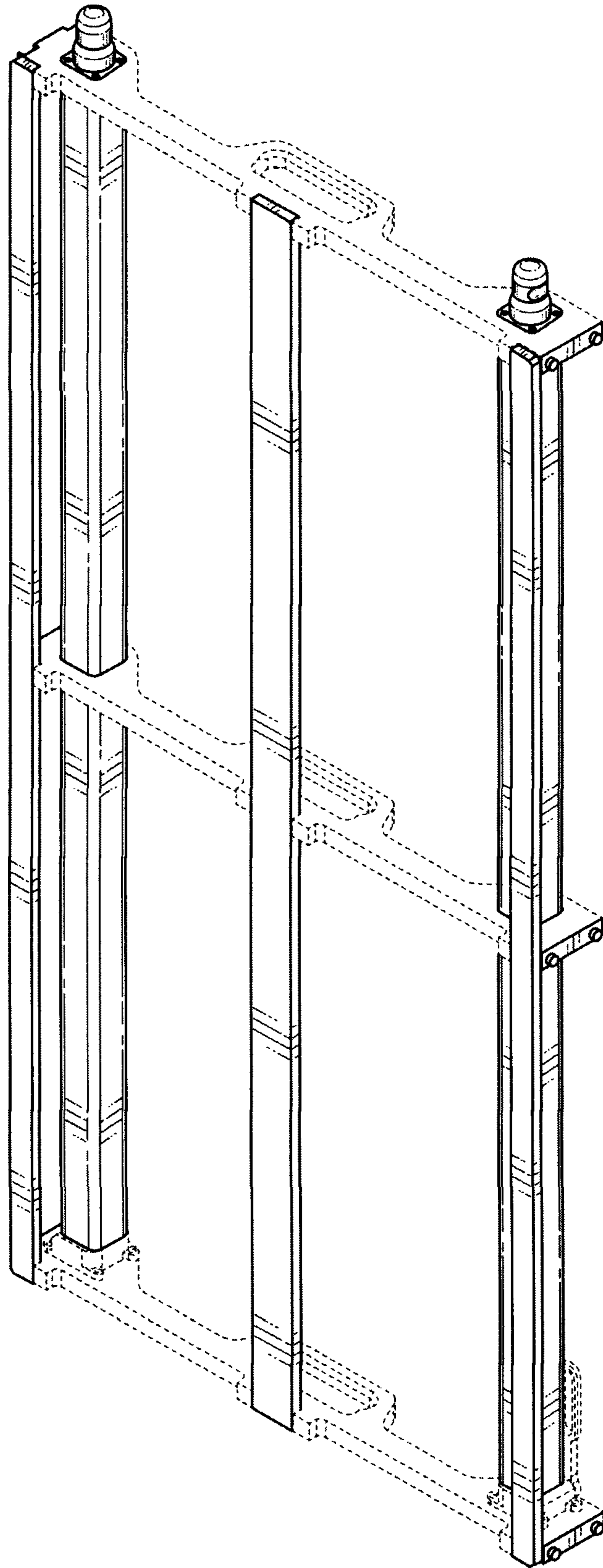


FIG. 2

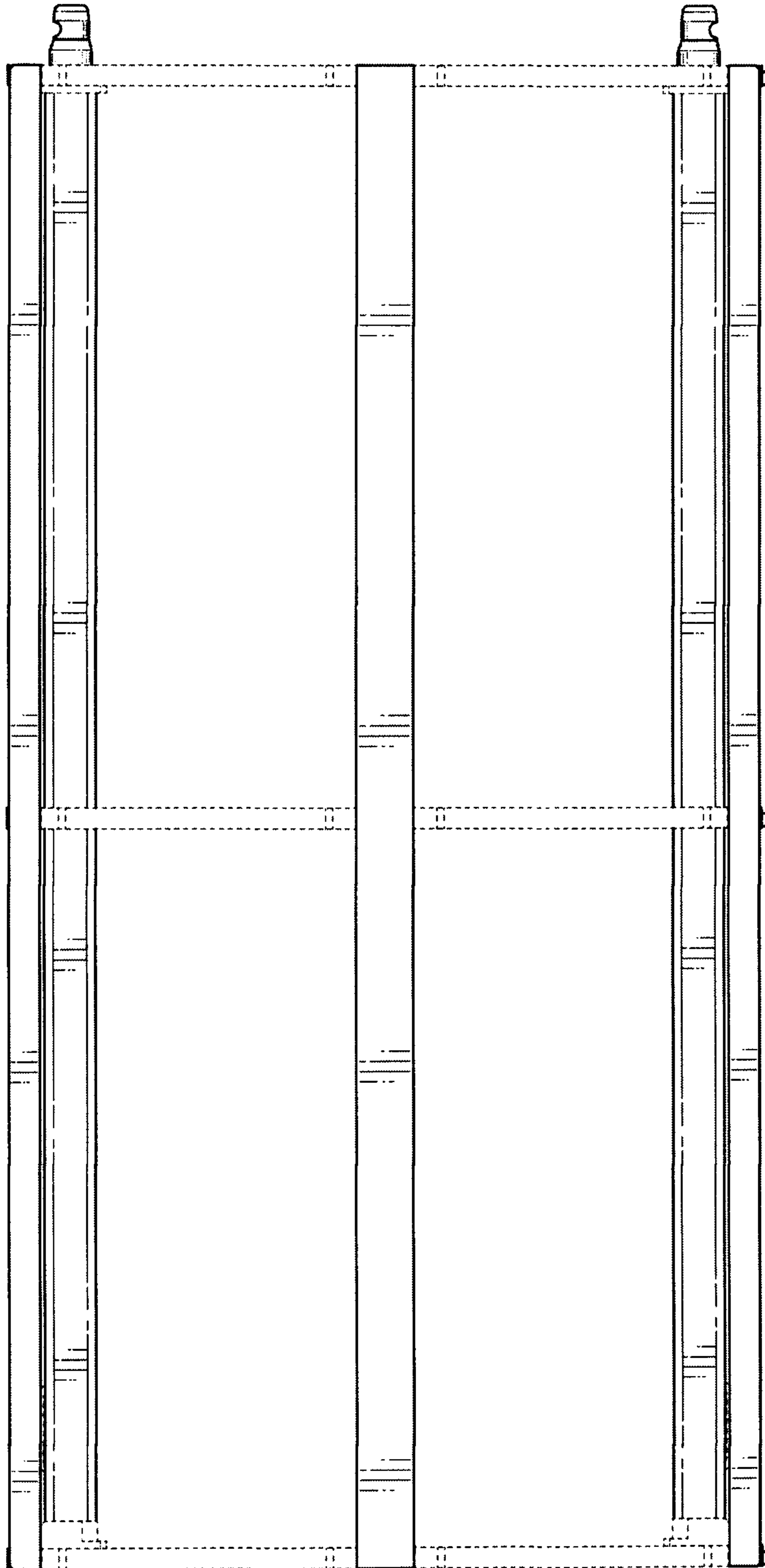


FIG. 3

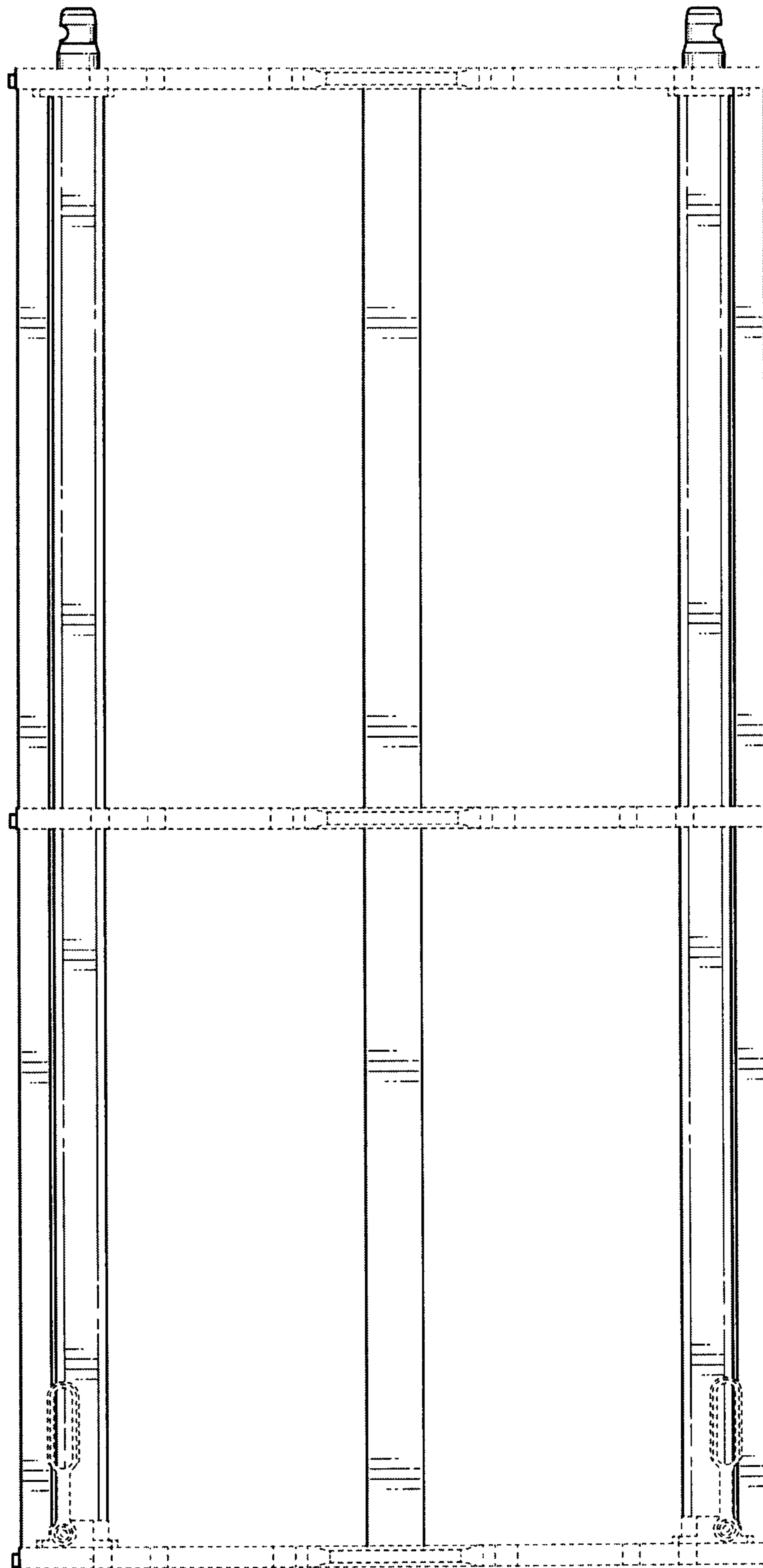


FIG. 4

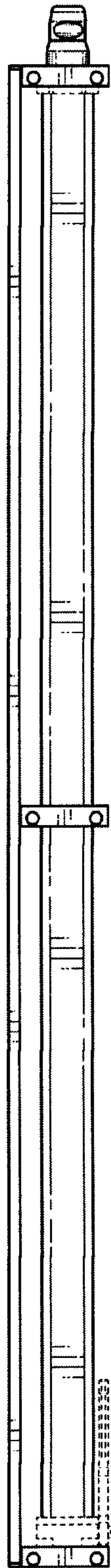


FIG. 5

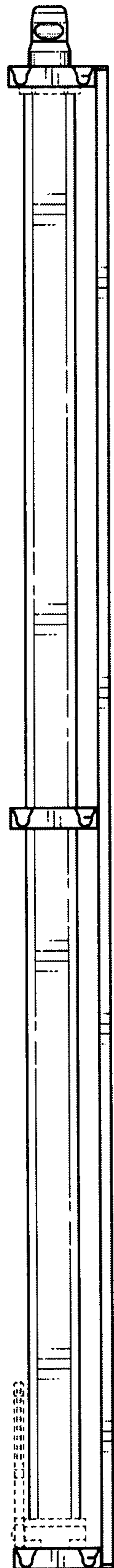


FIG. 6

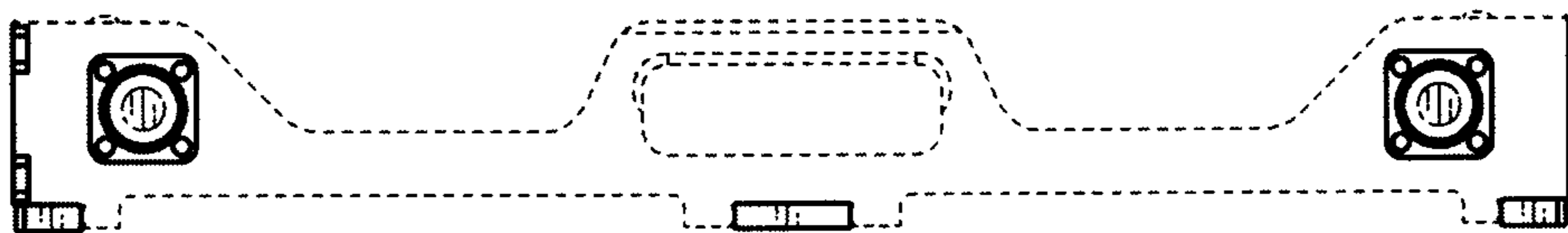


FIG. 7

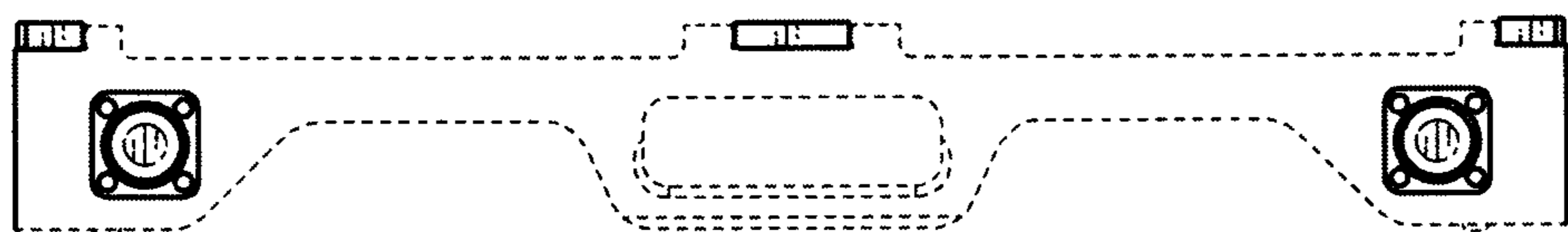


FIG. 8

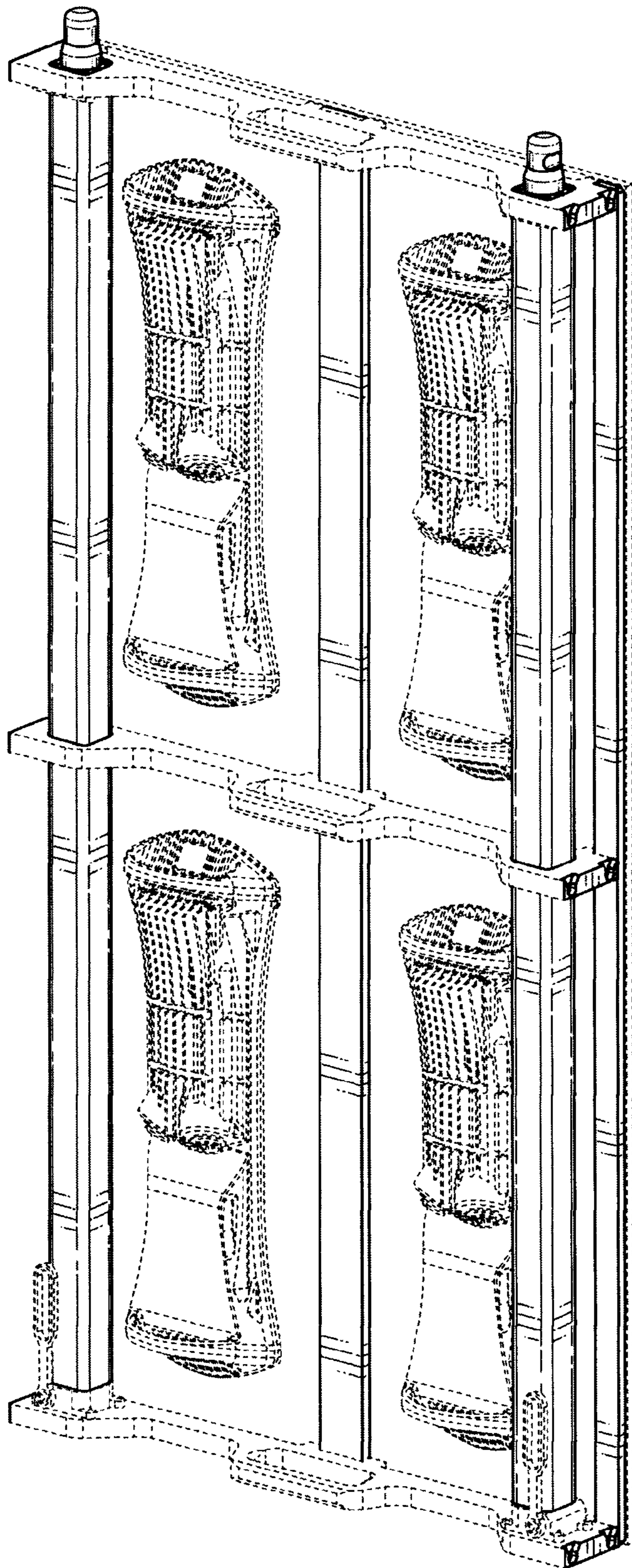


FIG. 9