



US00D753096S

(12) **United States Design Patent**
Li

(10) **Patent No.:** **US D753,096 S**
(45) **Date of Patent:** **** Apr. 5, 2016**

- (54) **DUAL ELECTRONIC ARTICLE SURVEILLANCE-RFID TAG**
- (71) Applicant: **Checkpoint Systems, Inc.**, Thorofare, NJ (US)
- (72) Inventor: **Morui Li**, West Deptford, NJ (US)
- (73) Assignee: **CHECKPOINT SYSTEMS, INC.**
- (**) Term: **14 Years**
- (21) Appl. No.: **29/491,633**
- (22) Filed: **May 22, 2014**
- (51) **LOC (10) Cl.** **14-03**
- (52) **U.S. Cl.**
USPC **D14/230**
- (58) **Field of Classification Search**
USPC D14/230–238, 299, 358; 343/700 R, 343/733, 747–748, 753, 779, 781 CA, 343/793–794, 801, 803, 806, 811, 841–842, 343/846, 878–882
CPC H01Q 7/00; H01Q 13/10; H01Q 9/285; H01Q 19/30; H01Q 19/12; H01Q 1/38; H04B 1/0475; H04B 1/034; H05K 11/00
See application file for complete search history.

D709,863 S *	7/2014	Forster	D14/230
D716,275 S *	10/2014	Forster	D14/230
9,016,585 B2 *	4/2015	Pavate	G06K 19/07749 235/487
9,093,756 B2 *	7/2015	Asai	H01Q 1/2283
9,105,967 B2 *	8/2015	Park	H01Q 1/243
2015/0048991 A1 *	2/2015	Pajona	H01Q 7/00 343/852

FOREIGN PATENT DOCUMENTS

JP	D1145610	*	7/2002
JP	D1336874	*	8/2008

OTHER PUBLICATIONS

RFID News Roundup—RFID Journal, website copyright 2015, online, <http://www.rfidjournal.com/articles/view?12631/5>, [site visited Nov. 11, 2015 5:23:59 PM].*

RFID Tag|RFID label|RFID—Systems Scanning Ltd., AD-226iL, website copyright 2008, online, http://www.sysscan.com.hk/RFID/RFID_Tag.asp, [site visited Nov. 11, 2015 8:22:45 PM].*

* cited by examiner

Primary Examiner — John Windmuller

Assistant Examiner — John R Yeh

(74) *Attorney, Agent, or Firm* — The Belles Group, P.C.

(57) **CLAIM**

I claim the ornamental design for a dual electronic article surveillance-RFID tag, as shown and described.

DESCRIPTION

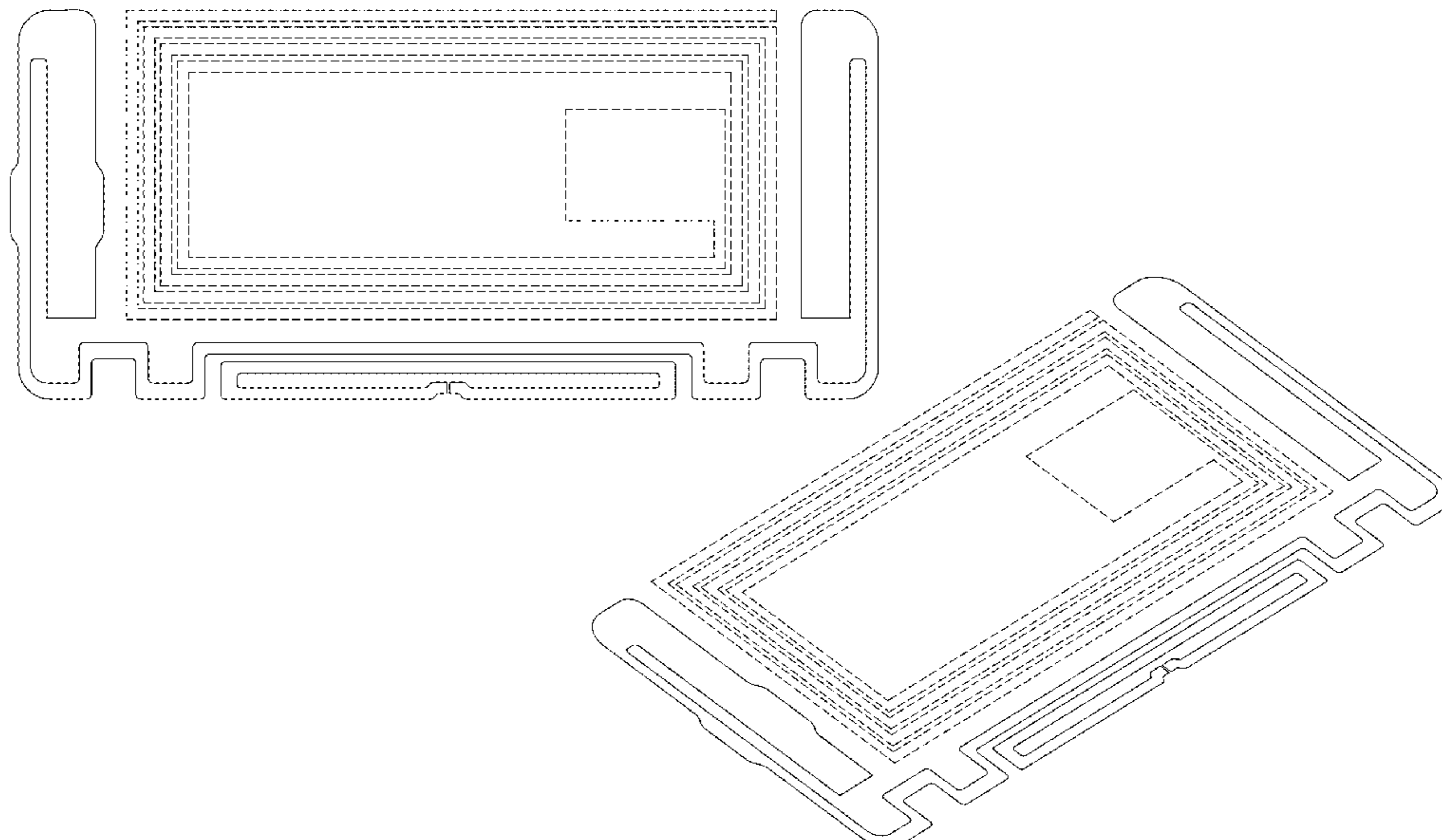
FIG. 1 is a top view of a dual electronic article surveillance-RFID tag in accordance with my new design; and, FIG. 2 is a perspective view thereof. The broken line disclosure of the remainder of the dual EAS-RFID tag in the figures are shown for illustrative purposes only and form no part of the claimed design.

1 Claim, 2 Drawing Sheets

(56) **References Cited**

U.S. PATENT DOCUMENTS

D535,647 S *	1/2007	Hall	D14/230
D573,589 S *	7/2008	Montgomery	D14/230
D613,276 S *	4/2010	Oliver	D14/230
7,804,410 B2	9/2010	Copeland		
7,804,411 B2	9/2010	Copeland		
8,177,138 B2 *	5/2012	Kato	G06K 19/07749 235/492
D704,170 S *	5/2014	Forster	D14/230
D704,171 S *	5/2014	Forster	D14/230
D706,247 S *	6/2014	Zheng	D14/230



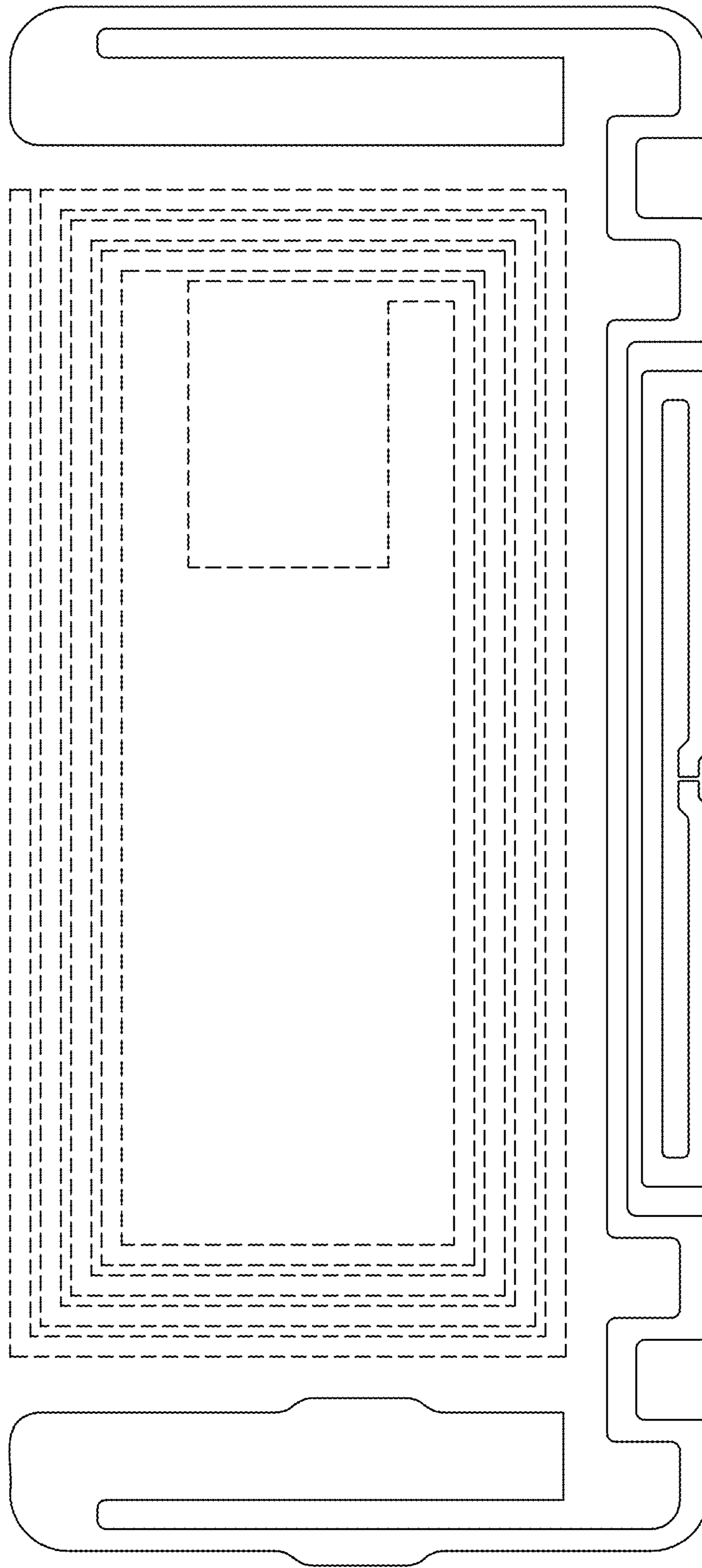


FIG. 1

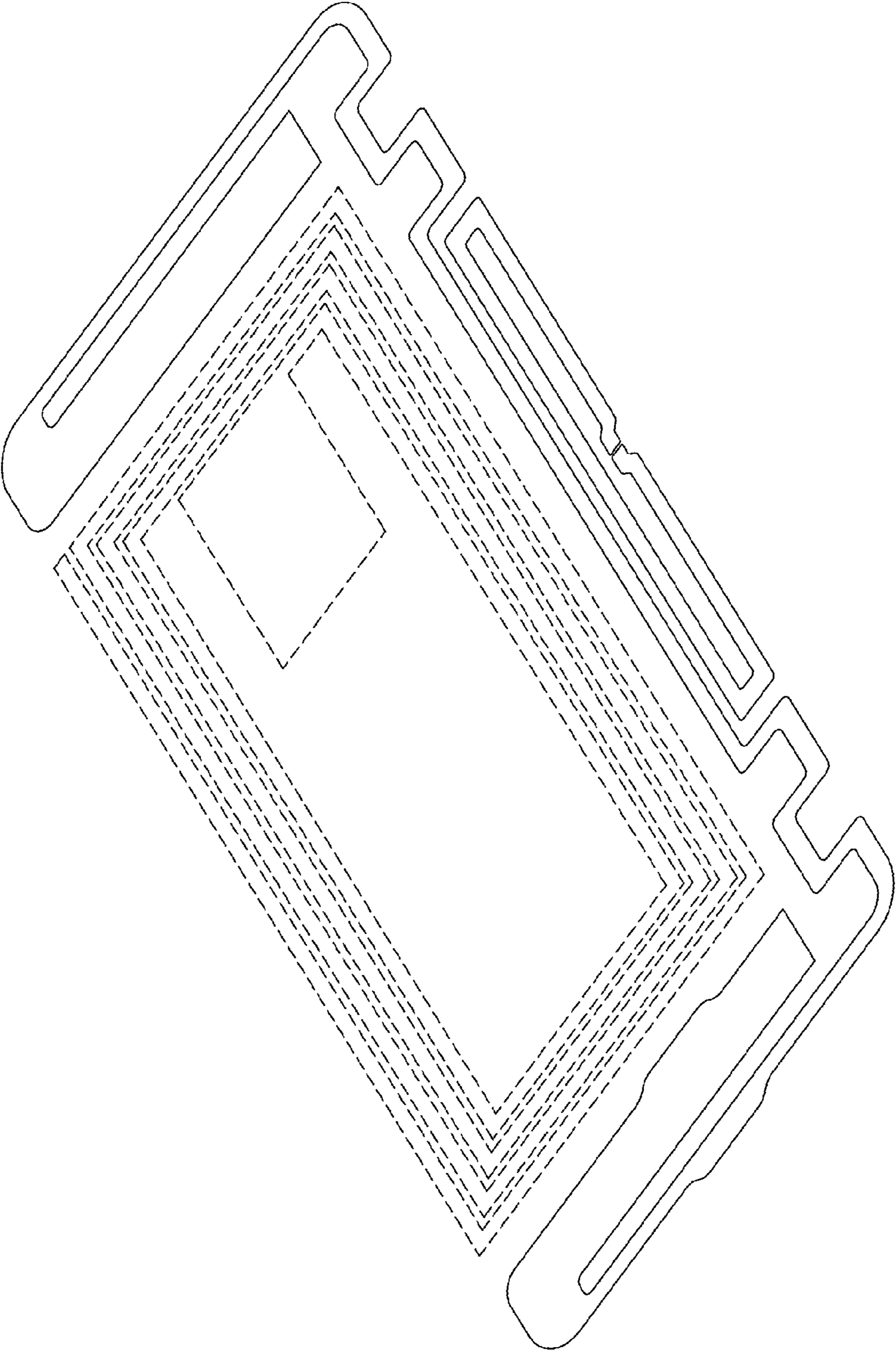


FIG. 2