



US00D753093S

(12) **United States Design Patent**
Garfio et al.

(10) **Patent No.:** **US D753,093 S**
(45) **Date of Patent:** **** Apr. 5, 2016**

(54) **PORTABLE SPEAKER**

(71) Applicant: **Fugoo Corporation**, Irvine, CA (US)

(72) Inventors: **Alejandro Garfio**, West Covina, CA (US); **Ho Koon Yau**, Yorba Linda, CA (US); **Kit Mok**, Lakewood, CA (US); **Howard Shi-How Cheng**, Irvine, CA (US)

(73) Assignee: **Fugoo Corporation**, Irvine, CA (US)

(**) Term: **14 Years**

(21) Appl. No.: **29/476,073**

(22) Filed: **Dec. 10, 2013**

(51) **LOC (10) Cl.** **14-03**

(52) **U.S. Cl.**
USPC **D14/214**

(58) **Field of Classification Search**
USPC D14/167, 168, 170–172, 188, 194–196, D14/204, 207, 209.1, 210–216, 219, 221, D14/222, 224, 496; 181/143, 144, 147, 148, 181/150, 153, 157, 198, 199; 381/300–303, 381/306, 332, 333, 336, 345, 361–364, 381/386–388; 369/6–12
CPC B60R 11/0217; G06F 1/1688; H04M 1/03; H04M 1/035; H04R 1/02; H04R 1/06; H04R 1/021; H04R 1/025; H04R 1/026; H04R 1/028; H04R 1/105; H04R 1/323; H04R 1/403; H04R 1/2803; H04R 1/2834; H04R 5/02; H04R 7/20; H04R 9/06; H04R 9/025; H04R 2201/021; H04R 2400/00; H04R 2400/07; H04R 2499/11; H04R 2499/13; H04R 2499/15; H04S 3/00; H04S 7/30
See application file for complete search history.

(56) **References Cited**

U.S. PATENT DOCUMENTS

D223,580 S * 5/1972 Richards D14/215
6,035,962 A 3/2000 Lin
6,665,412 B1 12/2003 Mizoguchi
D491,165 S * 6/2004 Hakoda D14/214

(Continued)

FOREIGN PATENT DOCUMENTS

JP 1408180 S 1/2011
JP 1452612 S 9/2012
WO WO 2007/100706 9/2007

OTHER PUBLICATIONS

Libratone Live Wireless Airplay Speakers, <https://shop.libratone.com/en-us/wireless-airplay-speakers/libratone-live/c-54/c-288/p-207/>, retrieved on Jan. 6, 2014.

(Continued)

Primary Examiner — Keli L Hill

(74) *Attorney, Agent, or Firm* — Knobbe Martens Olson & Bear LLP

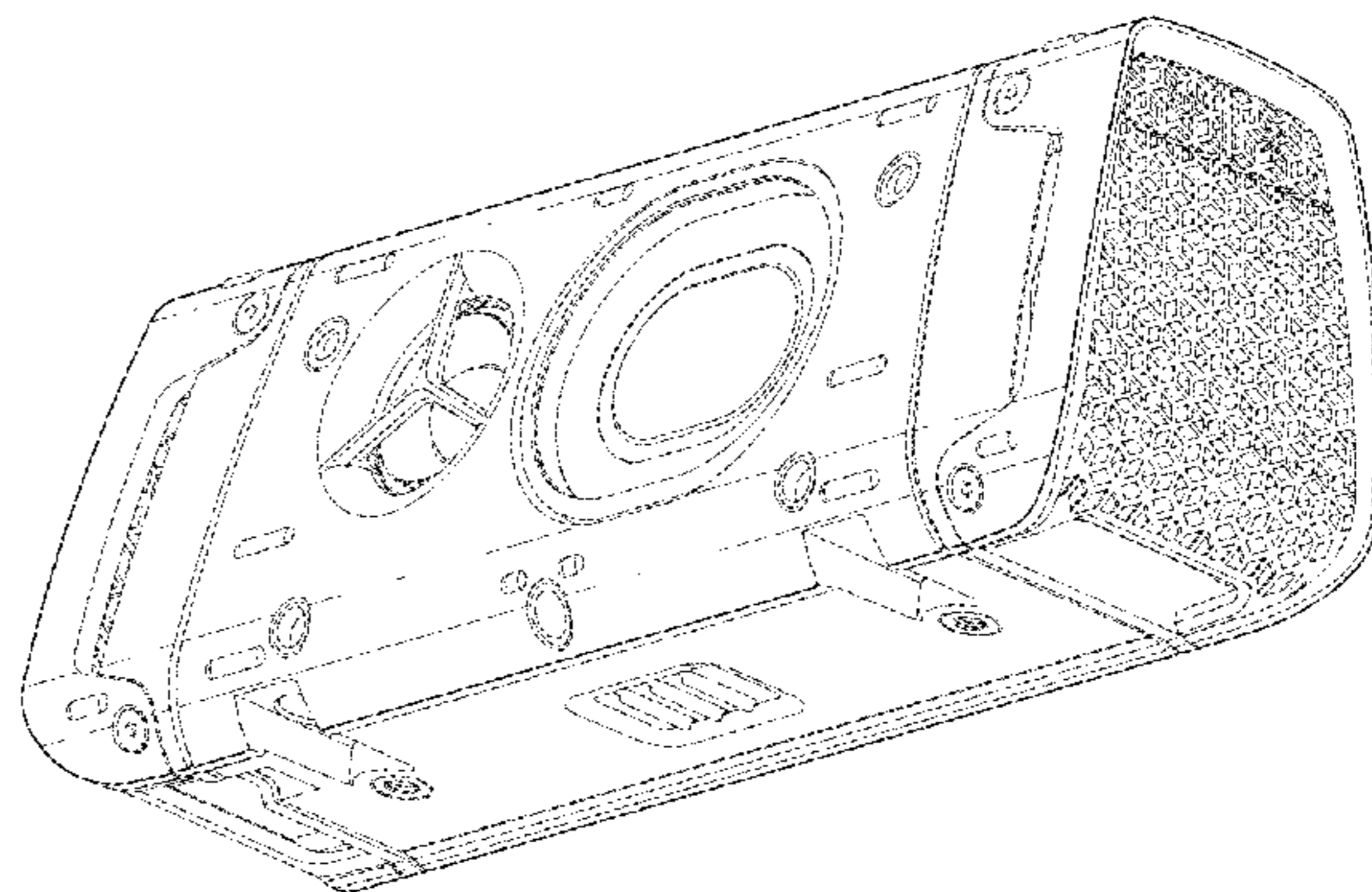
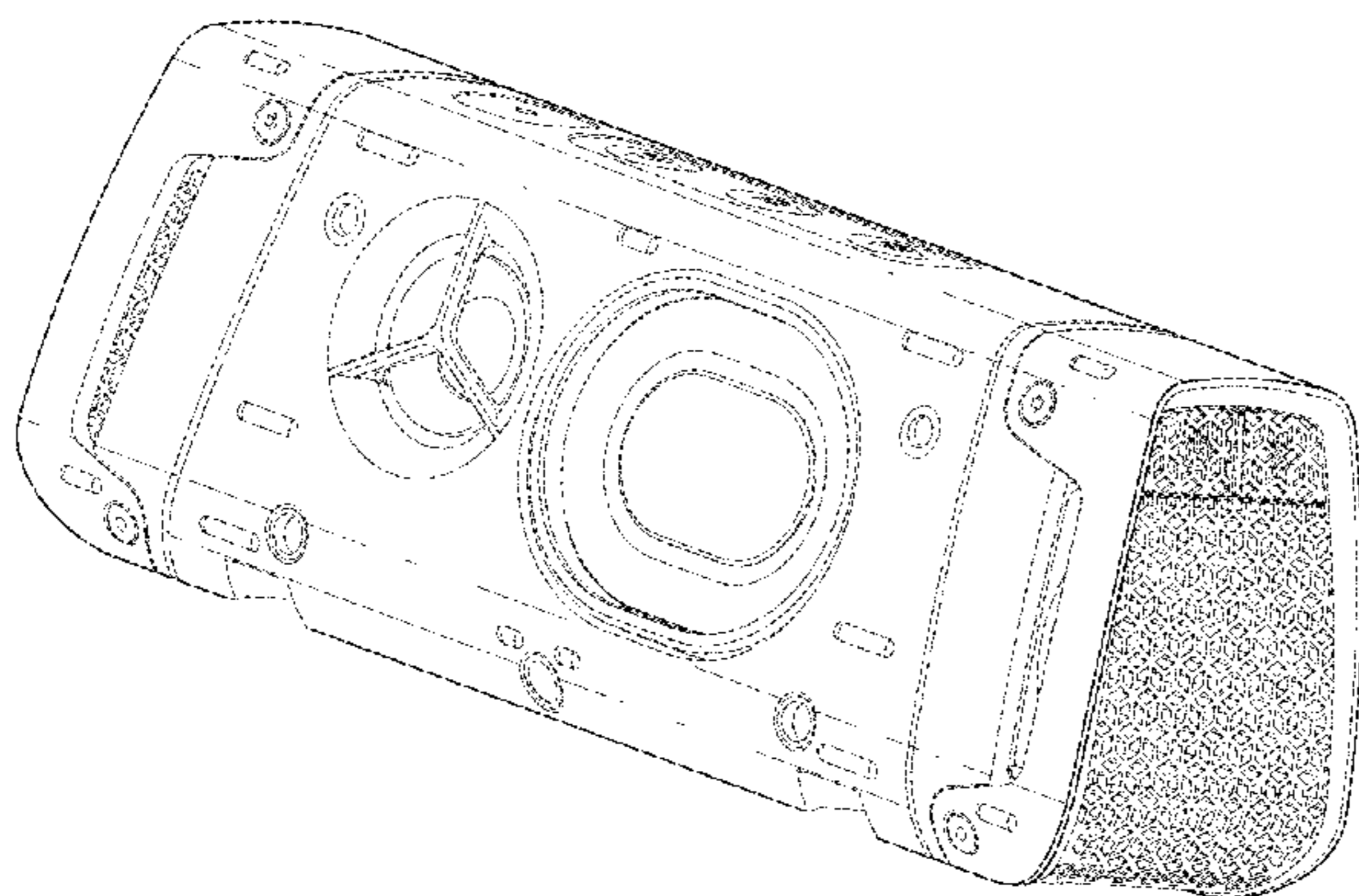
(57) **CLAIM**

The ornamental design for a portable speaker, as shown and described.

DESCRIPTION

FIG. 1 is a top, front and side perspective view of a portable speaker embodying my new design.
FIG. 2 is a bottom, front and side perspective view thereof.
FIG. 3 is a front view thereof.
FIG. 4 is a back view thereof.
FIG. 5 is a top view thereof
FIG. 6 is a bottom view thereof.
FIG. 7 is a first side view thereof; and,
FIG. 8 is a second side view thereof.
Broken lines are used to illustrate features of the portable speaker which form no part of the claimed design.

1 Claim, 6 Drawing Sheets



(56)

References Cited

U.S. PATENT DOCUMENTS

6,910,548	B2	6/2005	Powell	
7,155,026	B2	12/2006	Augustin, Sr. et al.	
D535,976	S *	1/2007	Ng	D14/214
7,221,772	B2	5/2007	Evenisse et al.	
7,242,785	B2	7/2007	McNary	
D551,208	S	9/2007	Yano	
D552,081	S	10/2007	Yano	
D553,120	S	10/2007	Yano	
D556,737	S *	12/2007	Oh	D14/168
D579,953	S *	11/2008	Chen	D14/496
7,469,052	B2	12/2008	Peavey	
D611,450	S *	3/2010	Miyazaki	D14/209.1
D619,116	S *	7/2010	Skurdal	D10/2
7,764,806	B2	7/2010	Pei et al.	
D642,156	S *	7/2011	Joseph	D14/209.1
D646,665	S	10/2011	Iijima	
8,090,137	B2	1/2012	Ryan	
D661,286	S *	6/2012	McManigal	D14/240
8,194,897	B2	6/2012	Choi	
D673,525	S	1/2013	Goetzen et al.	
8,351,638	B2	1/2013	Park	
8,406,449	B2	3/2013	Wegener	
D705,753	S	5/2014	Kimura	
D710,332	S	8/2014	Baird	
D726,685	S *	4/2015	Cheng	D14/212
D734,738	S *	7/2015	Jackson	D14/214
D736,746	S *	8/2015	Cheng	D14/217
D737,246	S *	8/2015	Billington	D14/210
D737,247	S *	8/2015	Billington	D14/210
2009/0161903	A1	6/2009	White	
2013/0177196	A1	7/2013	Lee	
2015/0195635	A1 *	7/2015	Garfio	H04R 1/02 381/386

OTHER PUBLICATIONS

Libratone Zipp, http://reviews.cnet.com/bluetooth-speakers/libratone-zipp-gray/4505-34810_7-35530587.html?autoplay=true, CNET review date of Nov. 12, 2012, retrieved on Jan. 8, 2014.

JBL Flip, http://reviews.cnet.com/bluetooth-speakers/jbl-flip-black/4505-34810_7-35550919.html, CNET review date of Dec. 21, 2012, retrieved on Jan. 6, 2014.

Jawbone Jambox, http://reviews.cnet.com/portable-speakers/jawbone-jambox-black-diamond/4505-11313_7-34207708.html, CNET review date of Nov. 4, 2010, retrieved on Jan. 6, 2014.

Jawbone Big Jambox, http://reviews.cnet.com/bluetooth-speakers/jawbone-big-jambox-graphite/4505-34810_7-35244085.html, CNET review date of Apr. 30, 2012, retrieved on Jan. 6, 2014.

Logitech UE Boom, http://reviews.cnet.com/portable-speakers/logitech-ue-boom-blue/4505-11313_7-35765418.html, CNET review date of Jun. 18, 2013, retrieved on Jan. 6, 2014.

JBL Charge, http://reviews.cnet.com/portable-speakers/jbl-charge-blue/4505-11313_7-35613369.html, CNET review date of Apr. 8, 2013, retrieved on Jan. 6, 2014.

Beats Pill, http://reviews.cnet.com/portable-speakers/beats-pill-black/4505-11313_7-35493112.html, CNET review date of Nov. 21, 2012, retrieved on Jan. 6, 2014.

Jawbone Mini Jambox, <http://www.bestbuy.com/site/jawbone-mini-jambox-wireless-speaker-blue-diamond/1584782.p?id=1219056361326&skuld=1584782>, retrieved on Mar. 13, 2015.

Jensen Bluetooth Wireless Stereo Speaker, <http://www.bestbuy.com/site/jensen-bluetooth-wireless-stereo-speaker-black/6544488.p?id=1218748100411&skuld=6544488>, retrieved on Mar. 13, 2015.

* cited by examiner

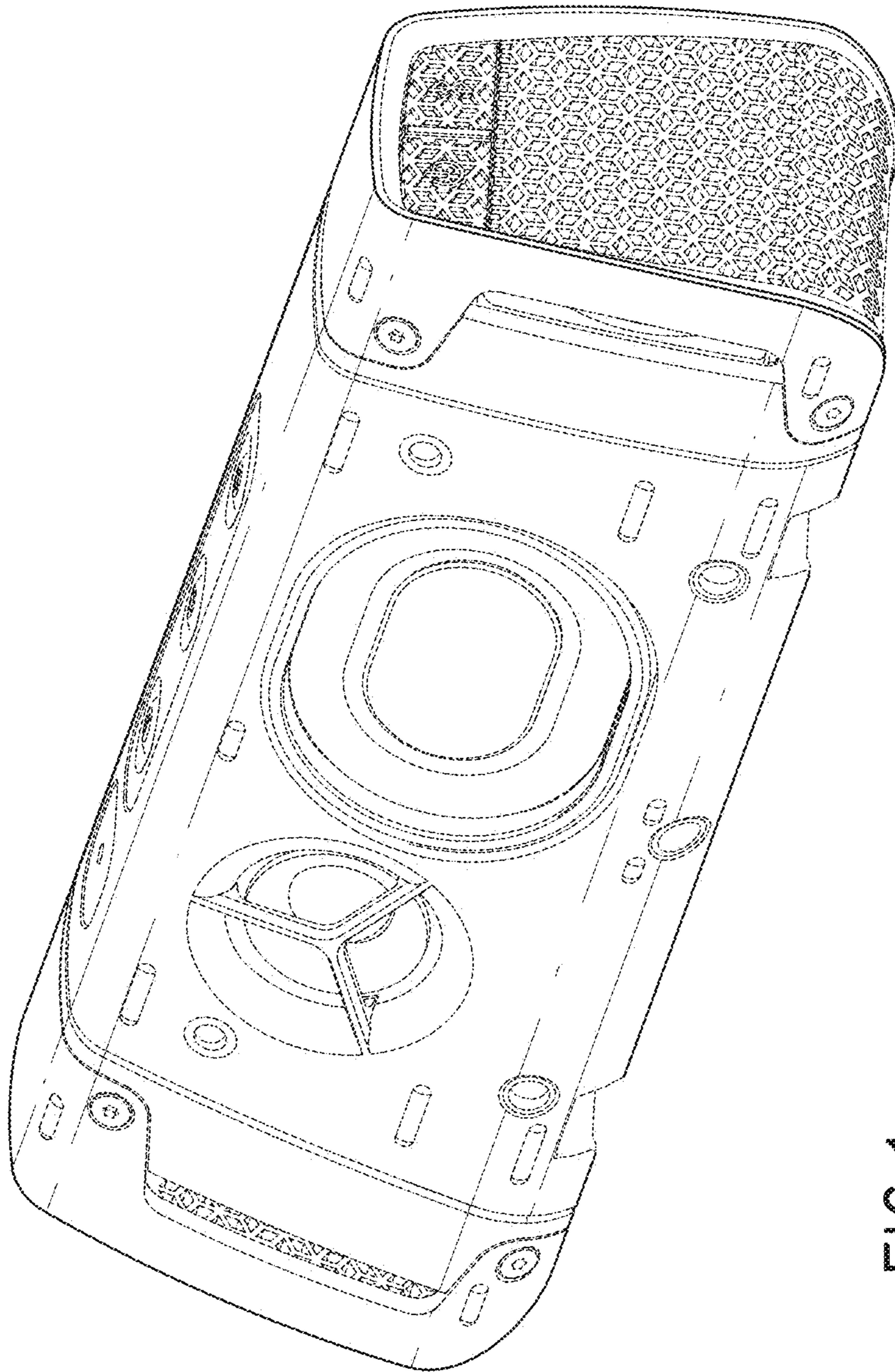


FIG.1

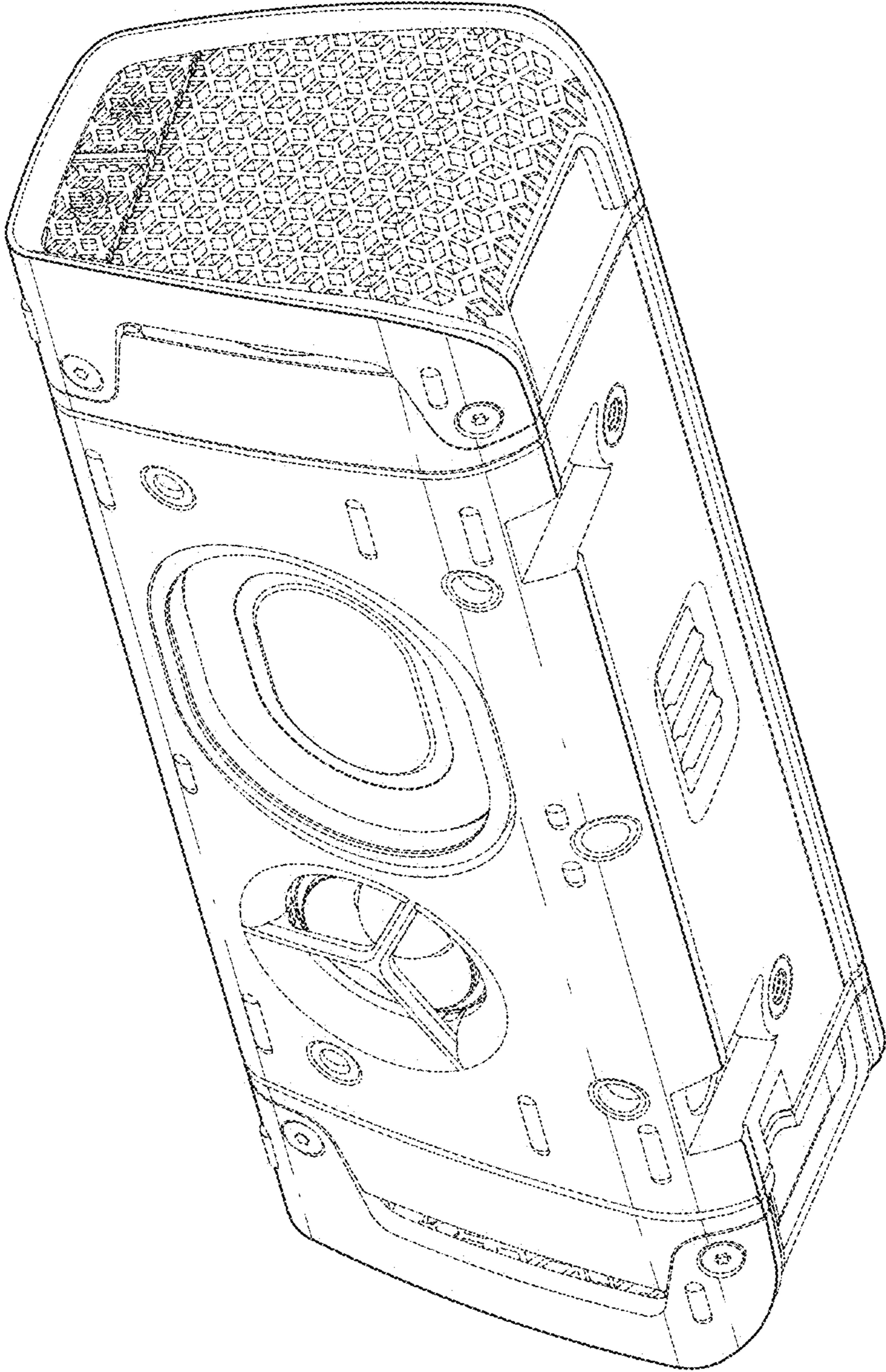


FIG. 2

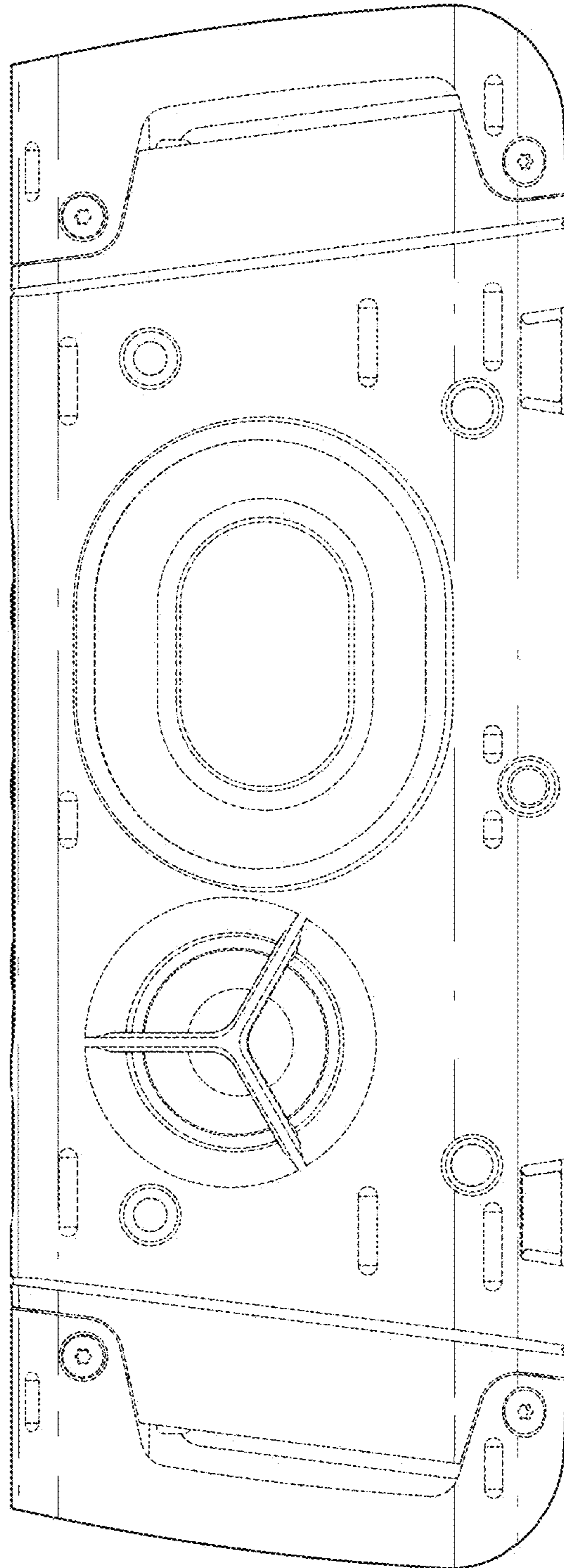


FIG. 3

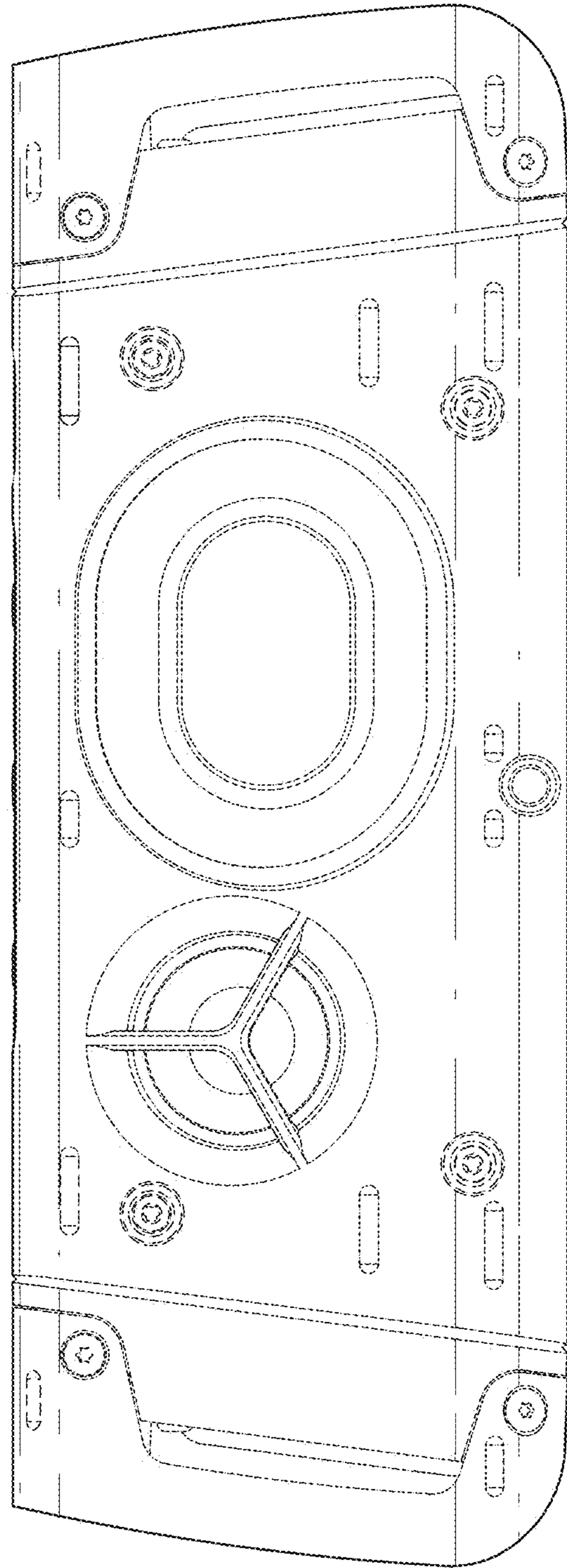


FIG. 4

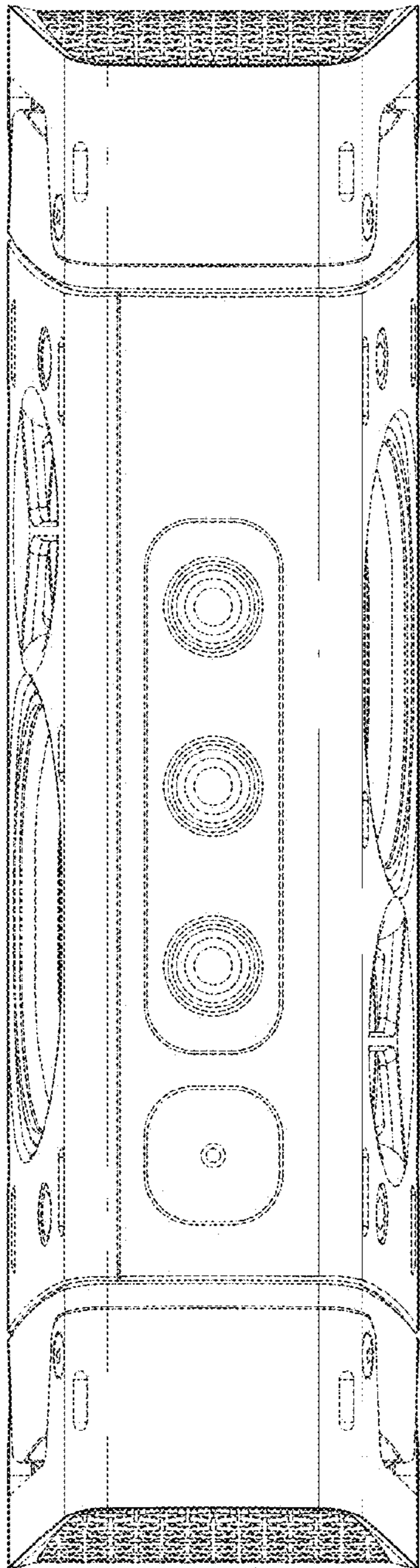


FIG. 5

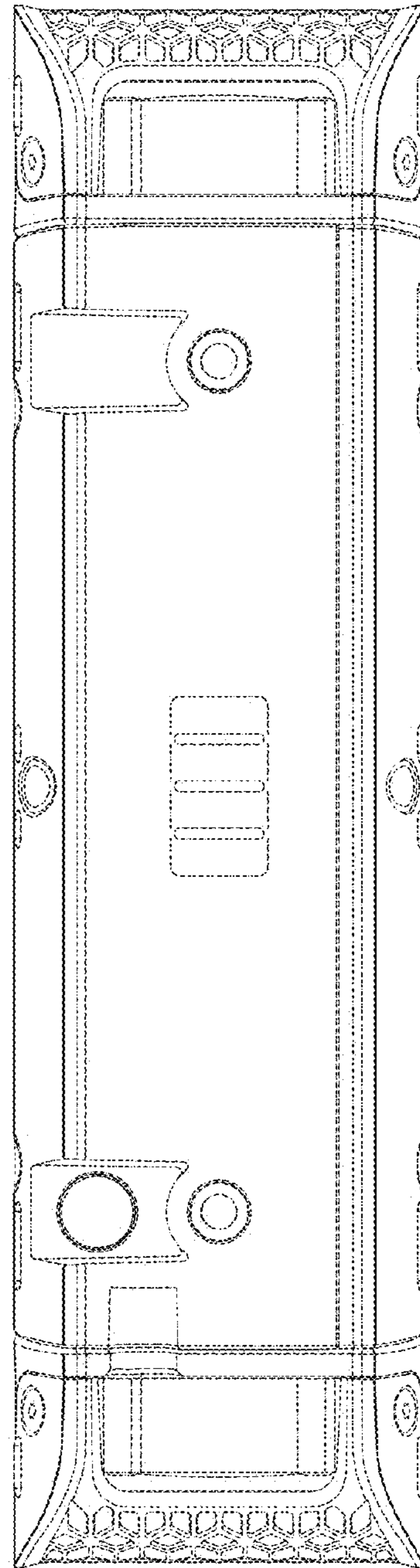


FIG. 6

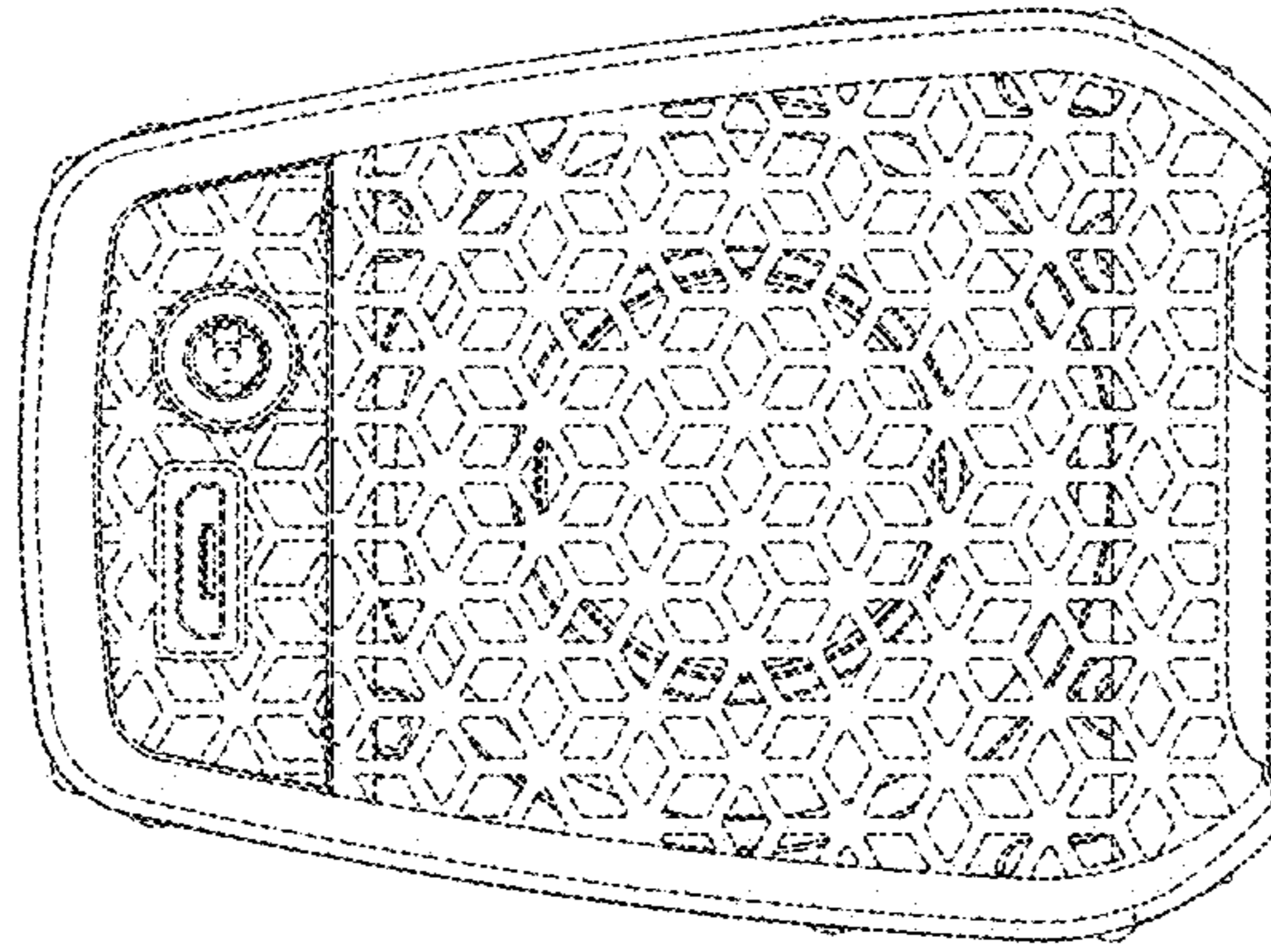


FIG. 8

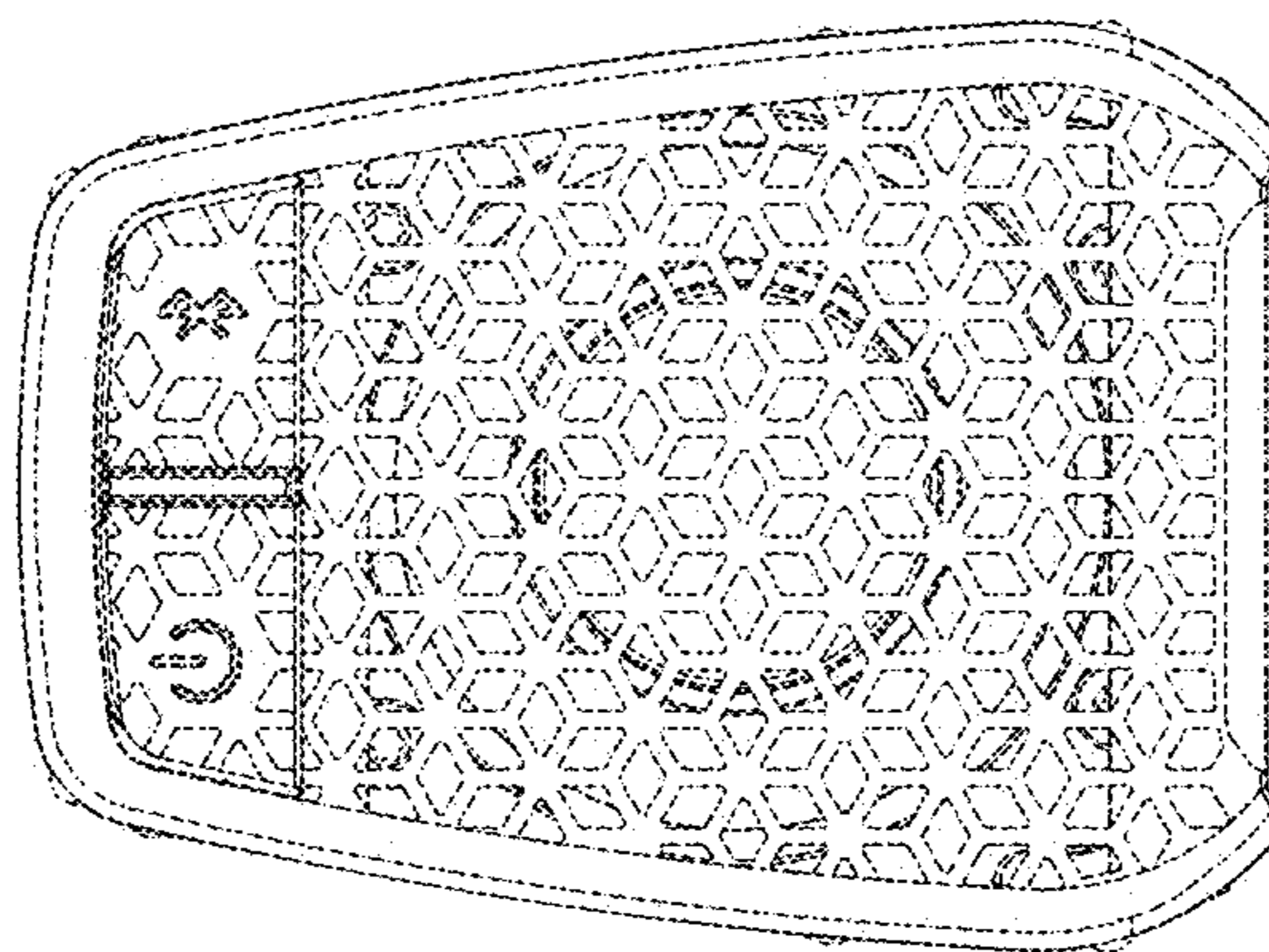


FIG. 7