



US00D753092S

(12) **United States Design Patent**
Warden et al.

(10) **Patent No.:** **US D753,092 S**
(45) **Date of Patent:** **** Apr. 5, 2016**

(54) **LOUDSPEAKER**

D663,719 S * 7/2012 Warden et al. D14/214
D719,930 S * 12/2014 Warden et al. D14/214
D727,875 S * 4/2015 Park et al. D14/214

(71) Applicant: **Bose Corporation**, Framingham, MA
(US)

(72) Inventors: **Robert A. Warden**, Southborough, MA
(US); **Mitchell Joseph Silva**, Groton,
MA (US)

(73) Assignee: **Bose Corporation**, Framingham, MA
(US)

(**) Term: **14 Years**

(21) Appl. No.: **29/493,742**

(22) Filed: **Jun. 12, 2014**

(51) **LOC (10) Cl.** **14-02**

(52) **U.S. Cl.**
USPC **D14/209.1**

(58) **Field of Classification Search**
USPC D14/204, 210, 218, 172, 214; 181/143,
181/147, 148, 150, 153, 157, 198, 199, 166,
181/144; 381/300–303, 306, 332, 333, 336,
381/345, 361–364, 370, 386–388
CPC H04R 1/02; H04R 1/023; H04R 1/025;
H04R 27/00; H04R 2400/00
See application file for complete search history.

(56) **References Cited**

U.S. PATENT DOCUMENTS

4,805,730 A * 2/1989 O'Neill et al. 181/148
6,035,962 A * 3/2000 Lin 181/199
6,978,030 B2 * 12/2005 Reich 381/124
D537,070 S 2/2007 Warden
D565,549 S * 4/2008 Sawhney et al. D14/214
D575,271 S * 8/2008 Baird et al. D14/214
D609,216 S * 2/2010 Davies et al. D14/214
D638,400 S * 5/2011 Hawkins et al. D14/214
D642,555 S * 8/2011 Hawkins et al. D14/214
D659,676 S * 5/2012 Aquillano et al. D14/214

OTHER PUBLICATIONS

Bose Technical Data Sheet, Bose Professional Systems Division,
FreeSpace® DS 16S / 16SE loudspeaker.
Bose Technical Data Sheet, Bose Professional Systems Division,
FreeSpace® DS 40SE loudspeaker.
Bose Technical Data Sheet, Bose Professional Systems Division,
FreeSpace® DS 100SE loudspeaker.

* cited by examiner

Primary Examiner — Prabhakar Deshmukh

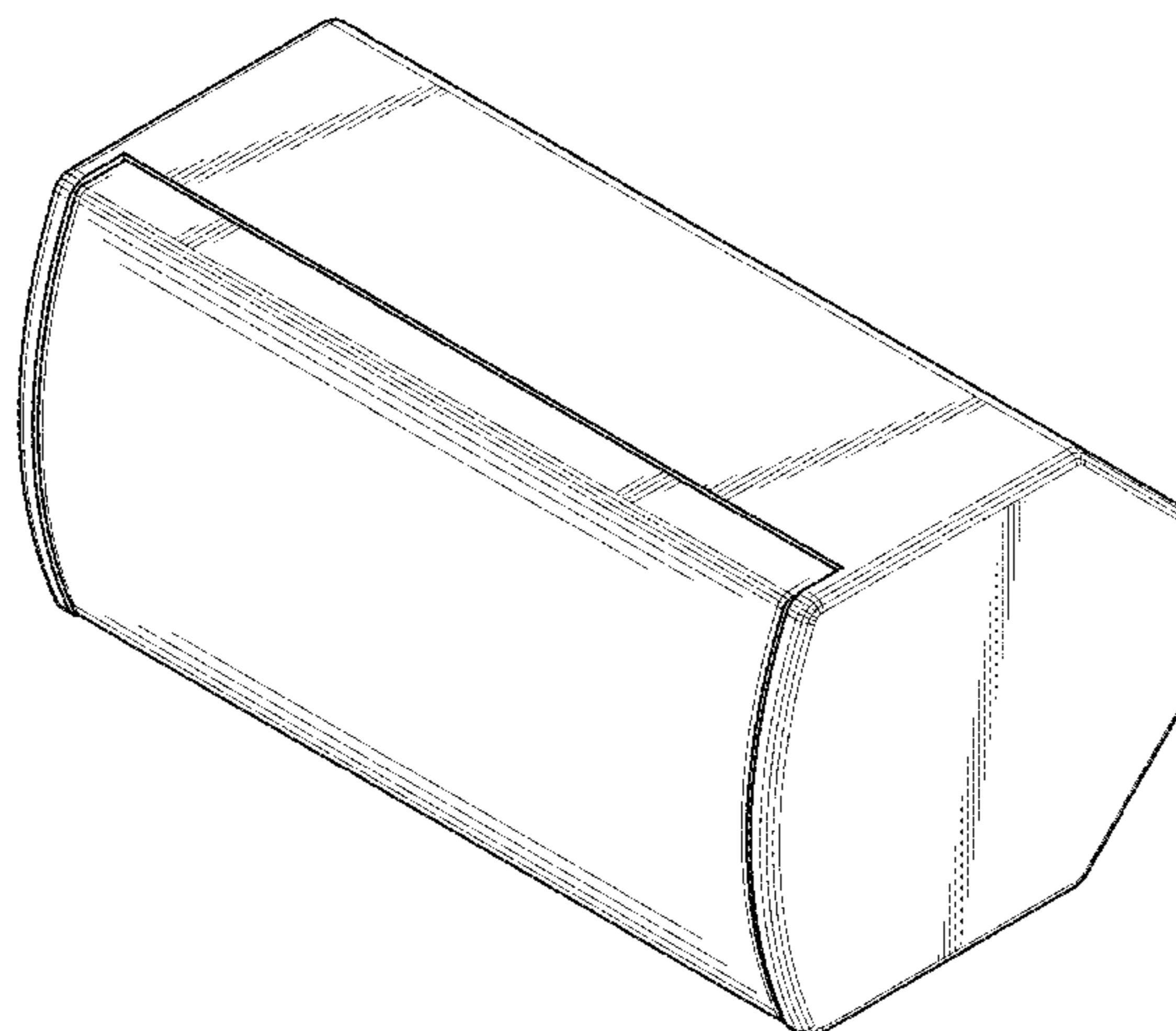
(57) **CLAIM**

The ornamental design for a loudspeaker, substantially as
shown and described.

DESCRIPTION

FIG. 1 is a front, top and right side perspective view of a
loudspeaker showing our new design;
FIG. 2 is a front view thereof;
FIG. 3 is a back view thereof;
FIG. 4 is a top view thereof;
FIG. 5 is a bottom view thereof;
FIG. 6 is a left side view thereof;
FIG. 7 is a right side view thereof;
FIG. 8 is a perspective view of a second embodiment of a
loudspeaker as seen from the front, top and right side;
FIG. 9 is a front view thereof;
FIG. 10 is a back view thereof;
FIG. 11 is a top view thereof;
FIG. 12 is a bottom view thereof;
FIG. 13 is left side view thereof; and,
FIG. 14 is a right side view thereof.
The dotted line portions of the drawings represent environ-
mental structure only and form no part of the claimed design.

1 Claim, 12 Drawing Sheets



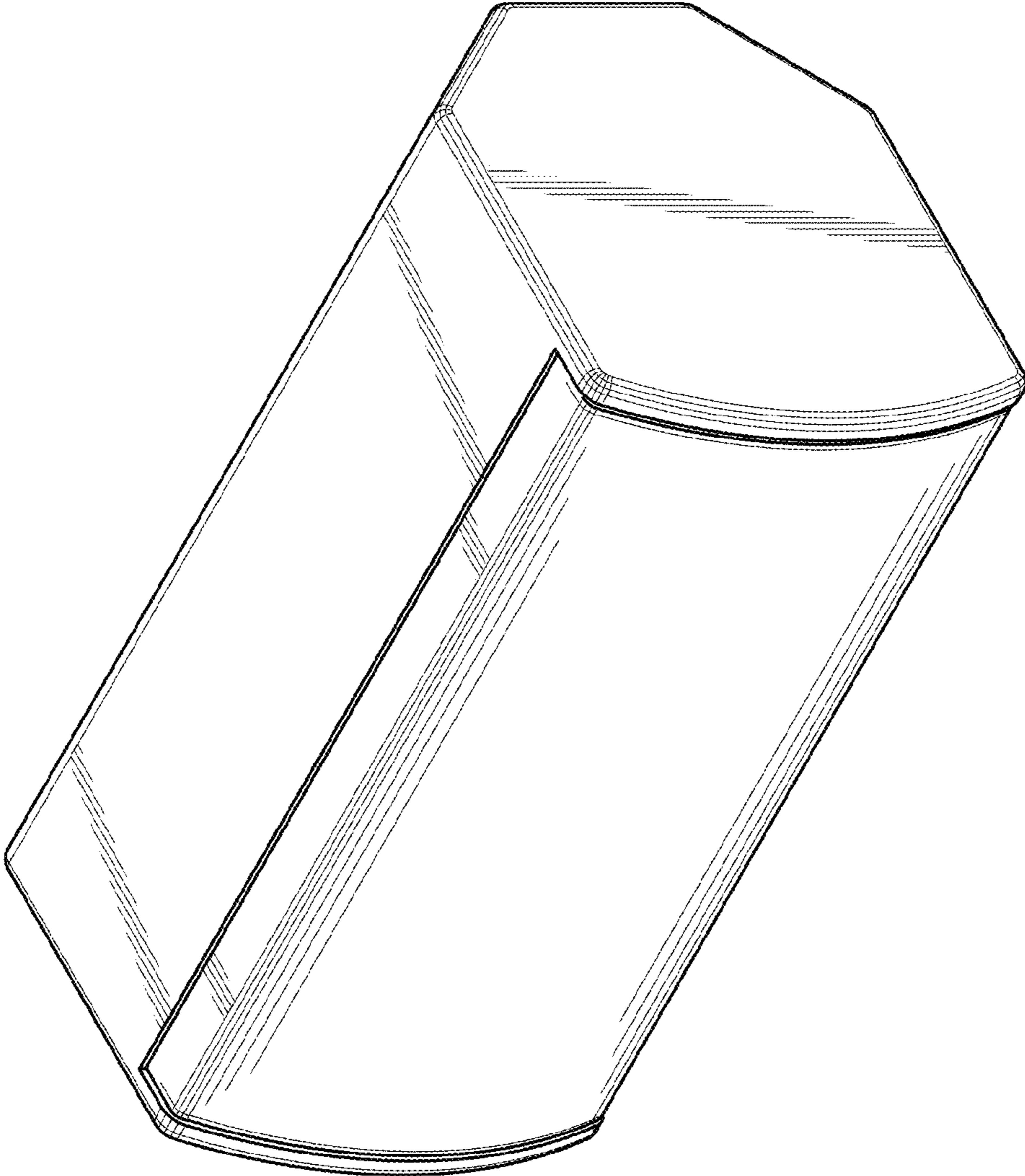


FIG. 1

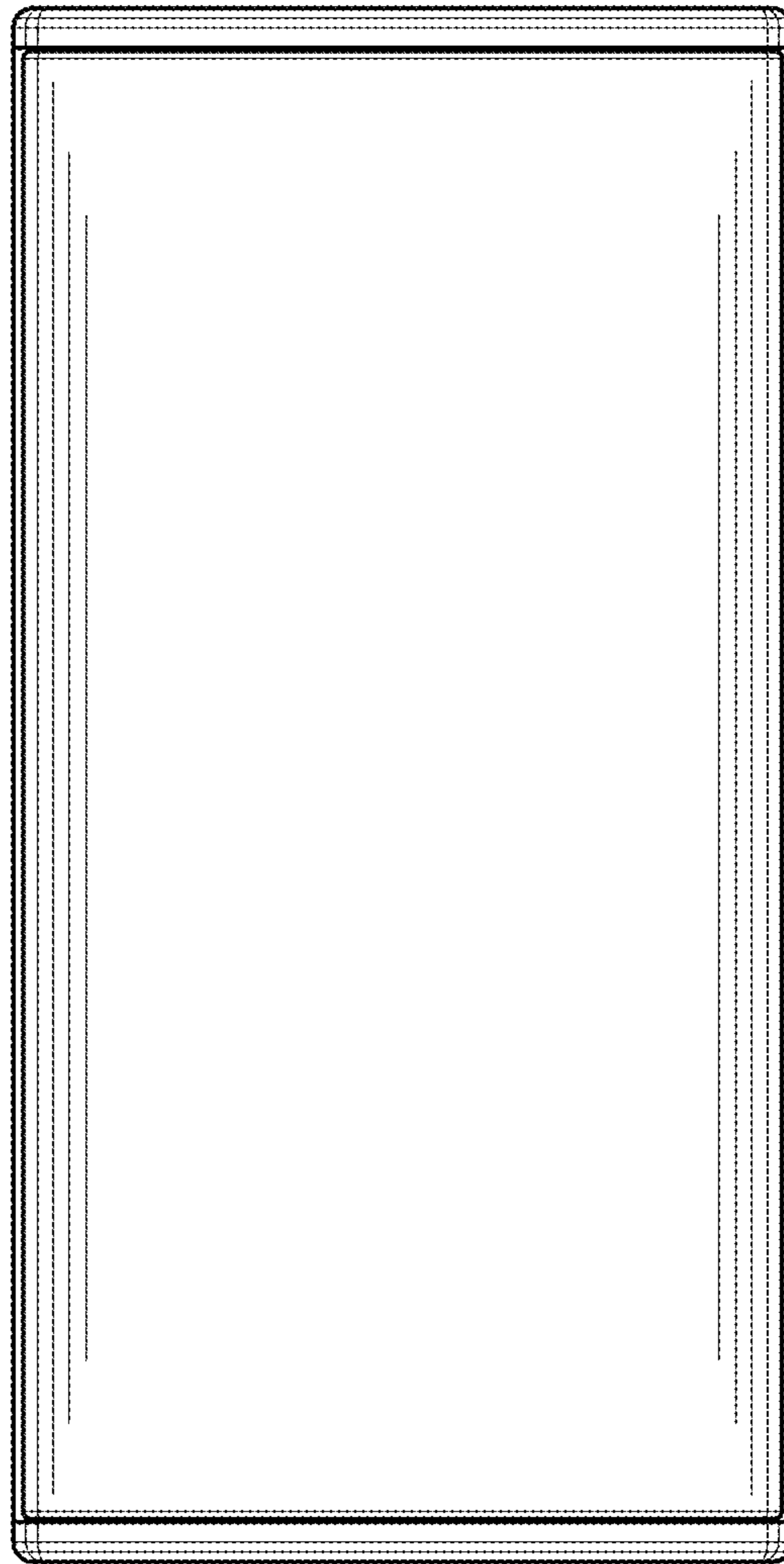


FIG. 2

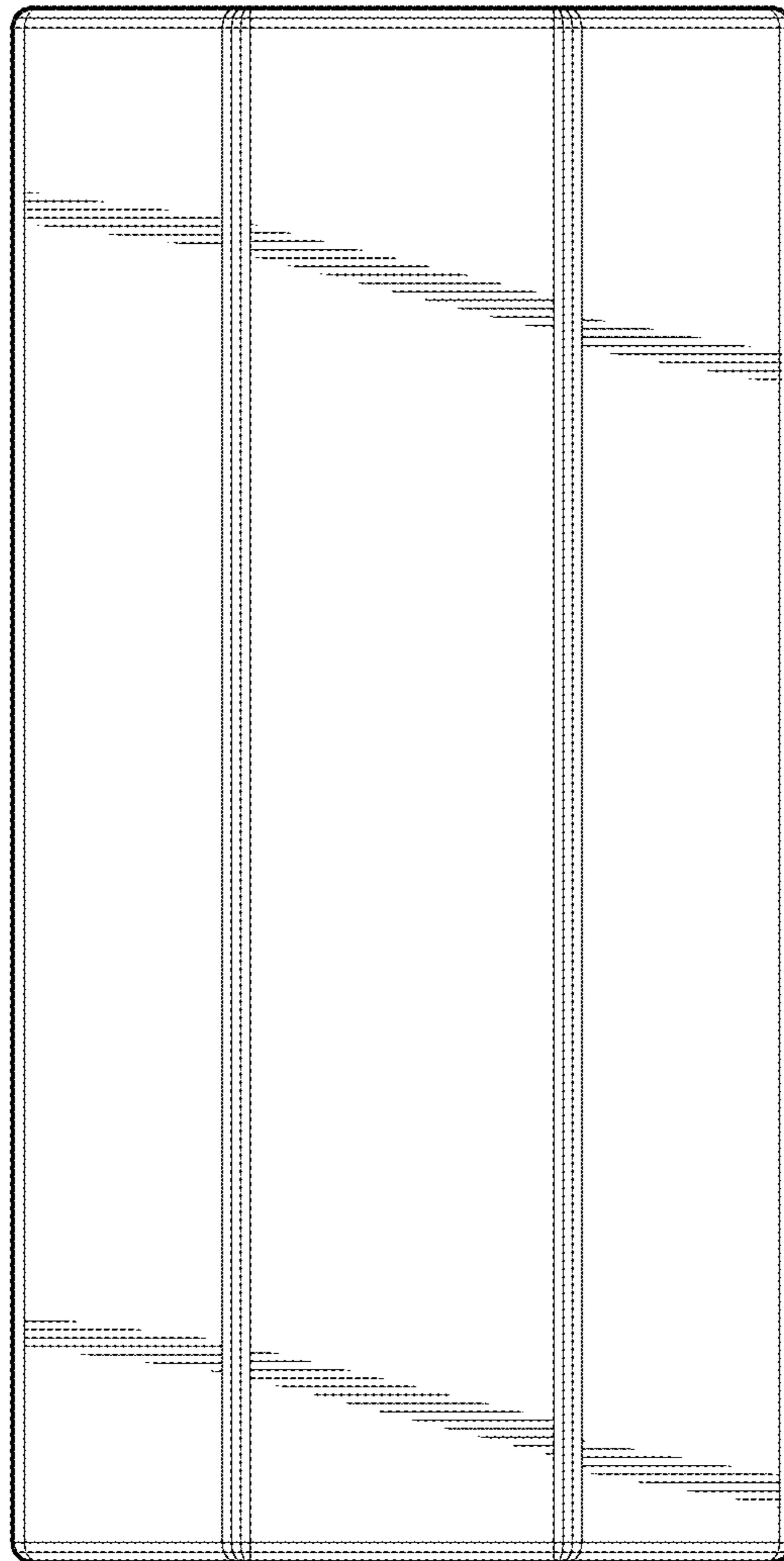


FIG. 3

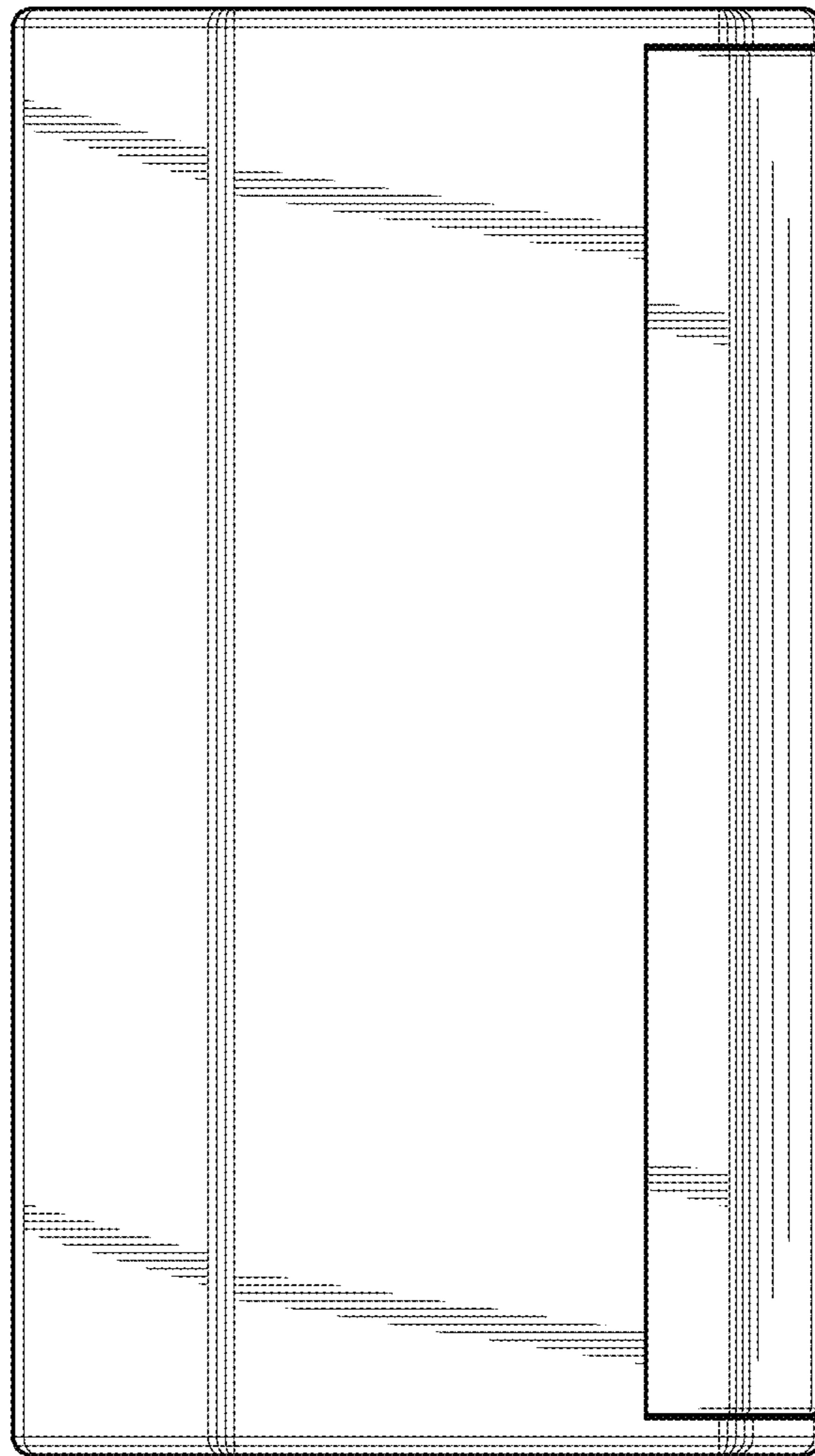


FIG. 4

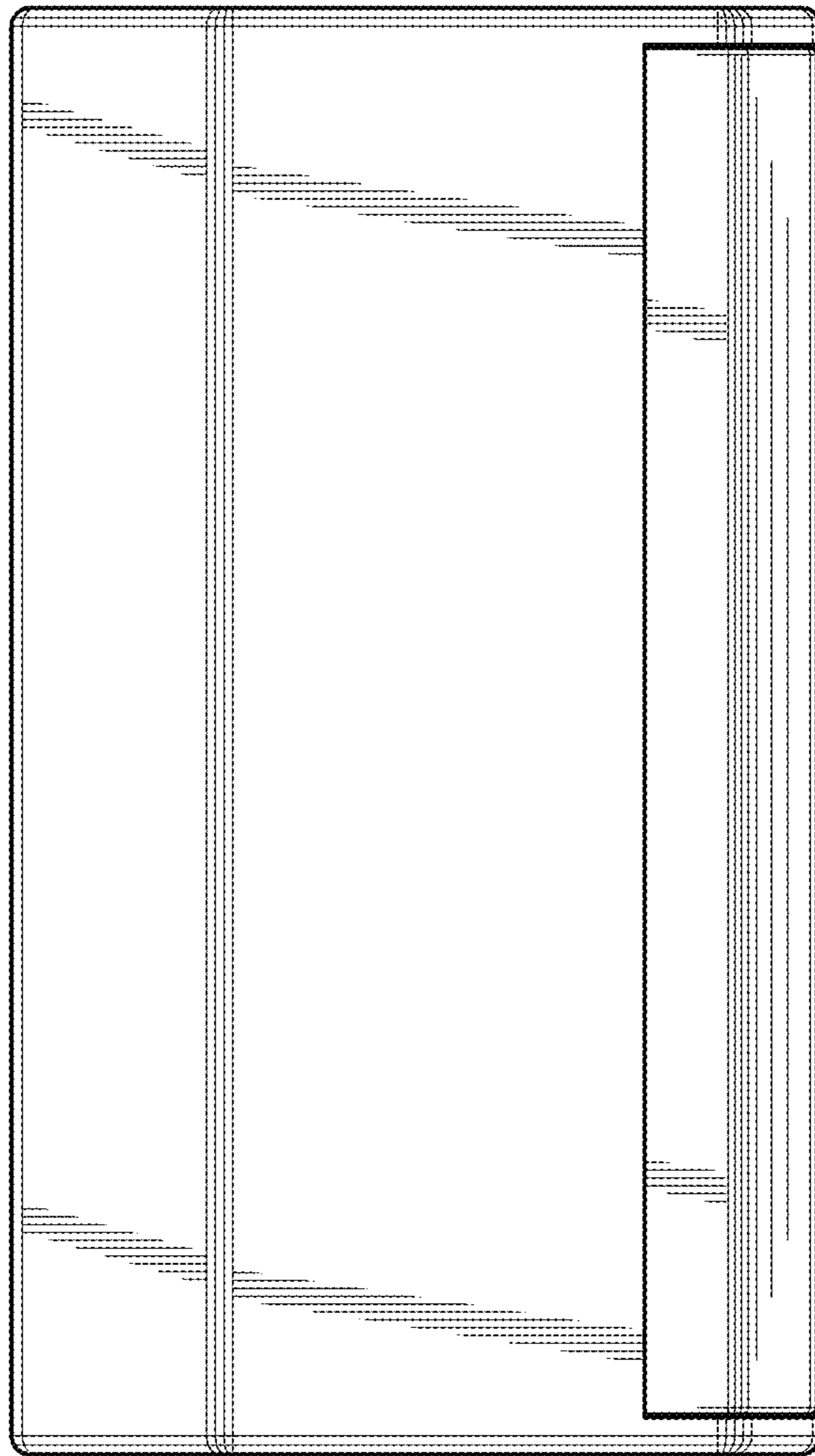


FIG. 5

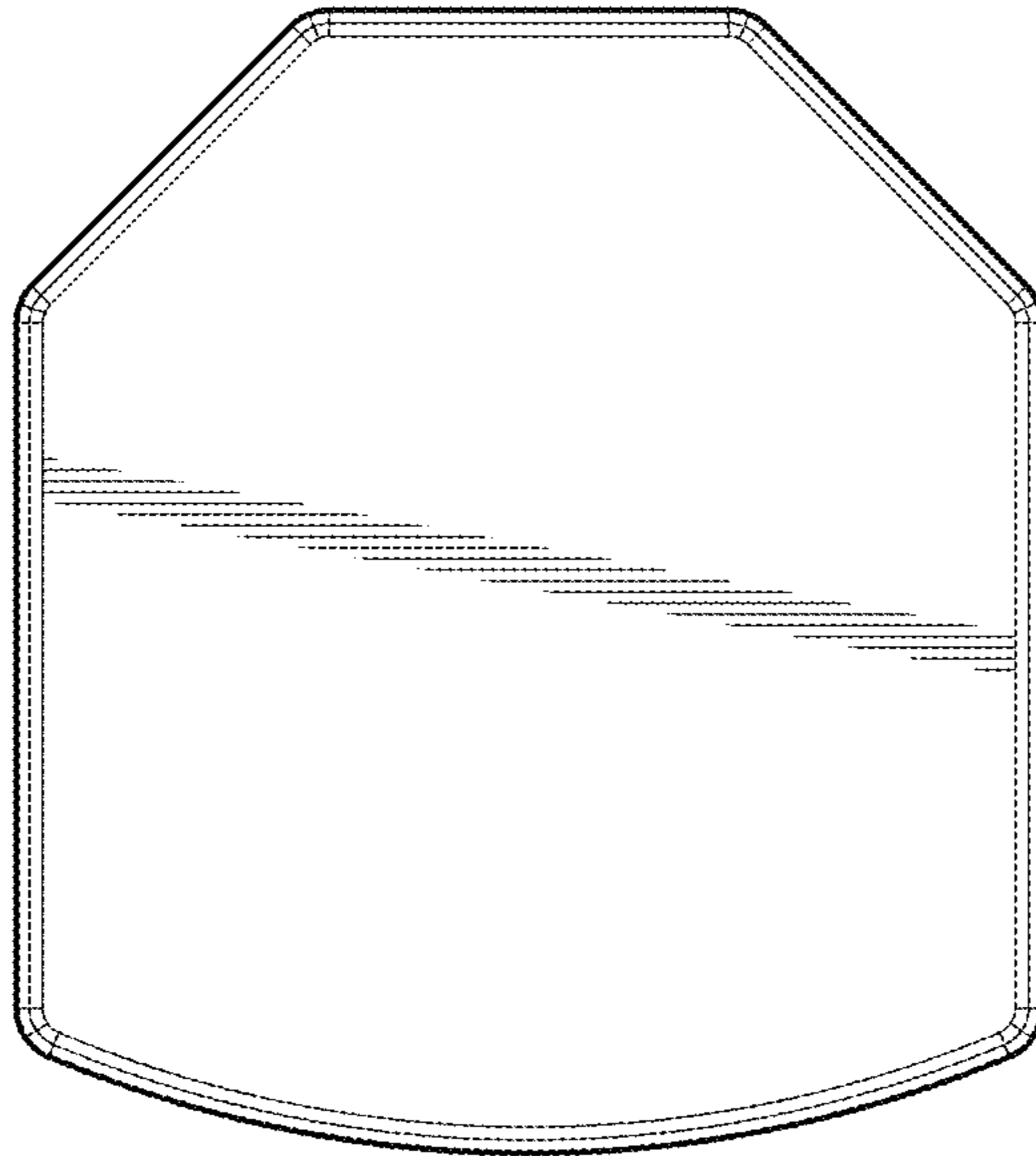


FIG. 7

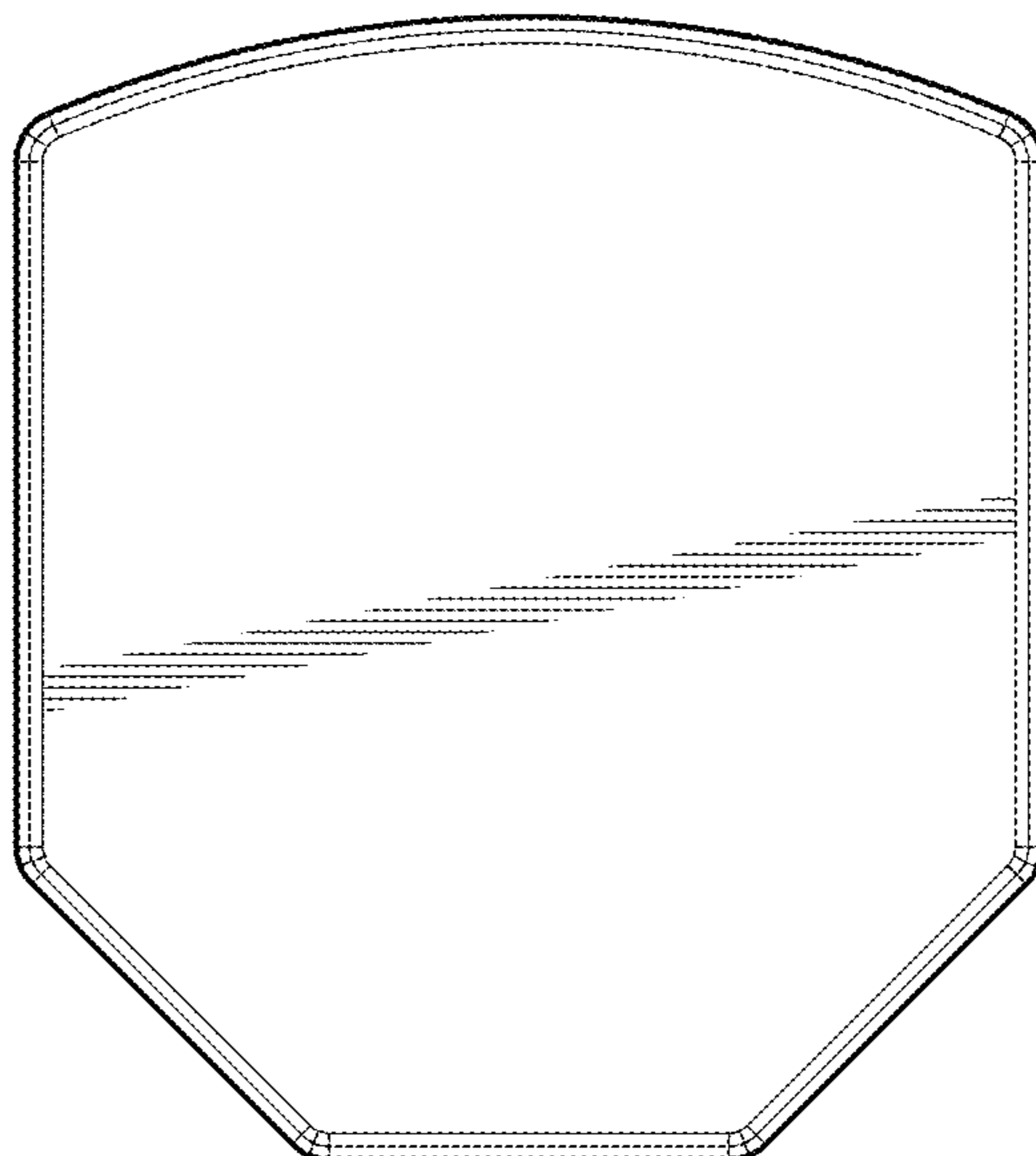


FIG. 6

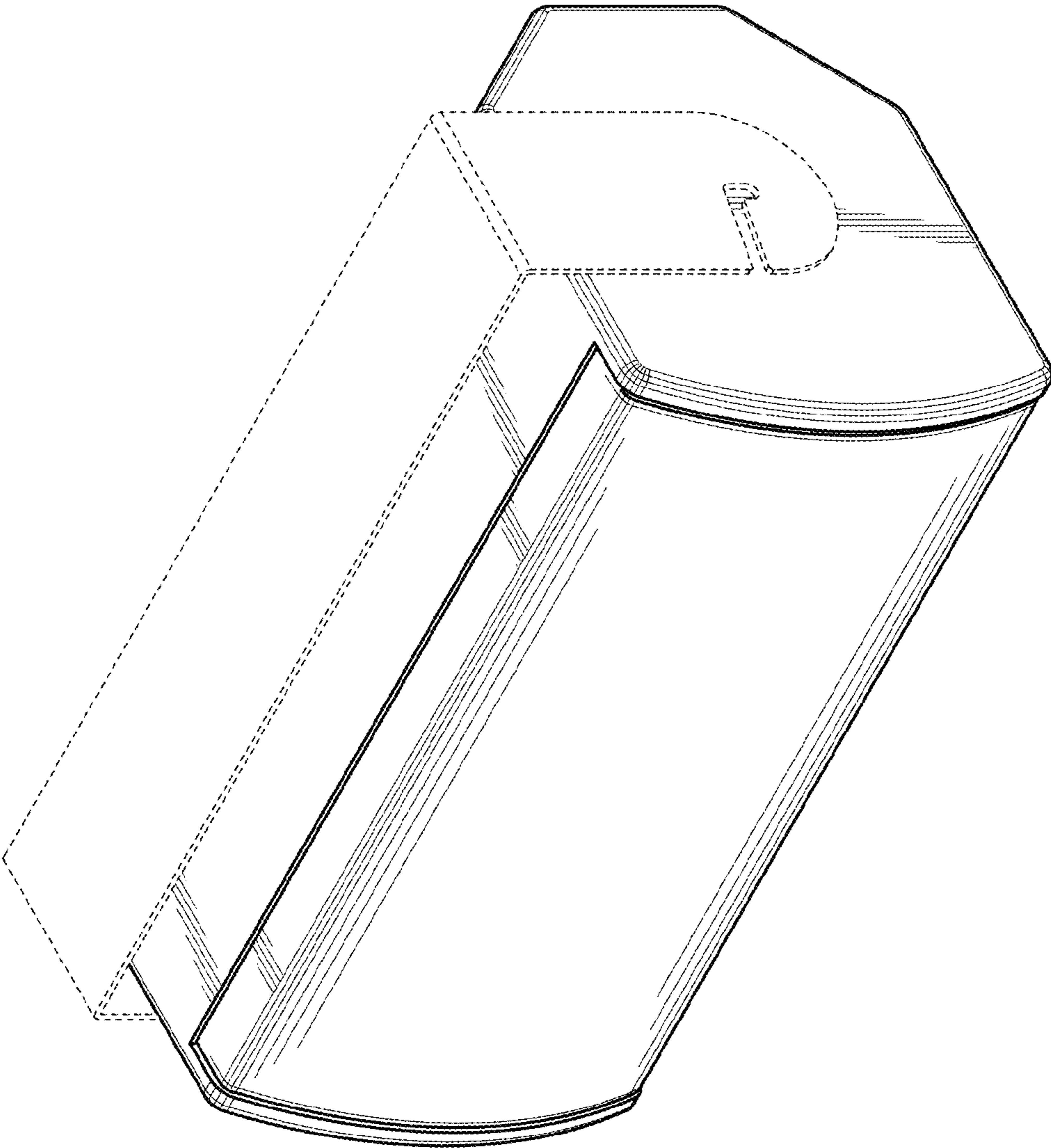


FIG. 8

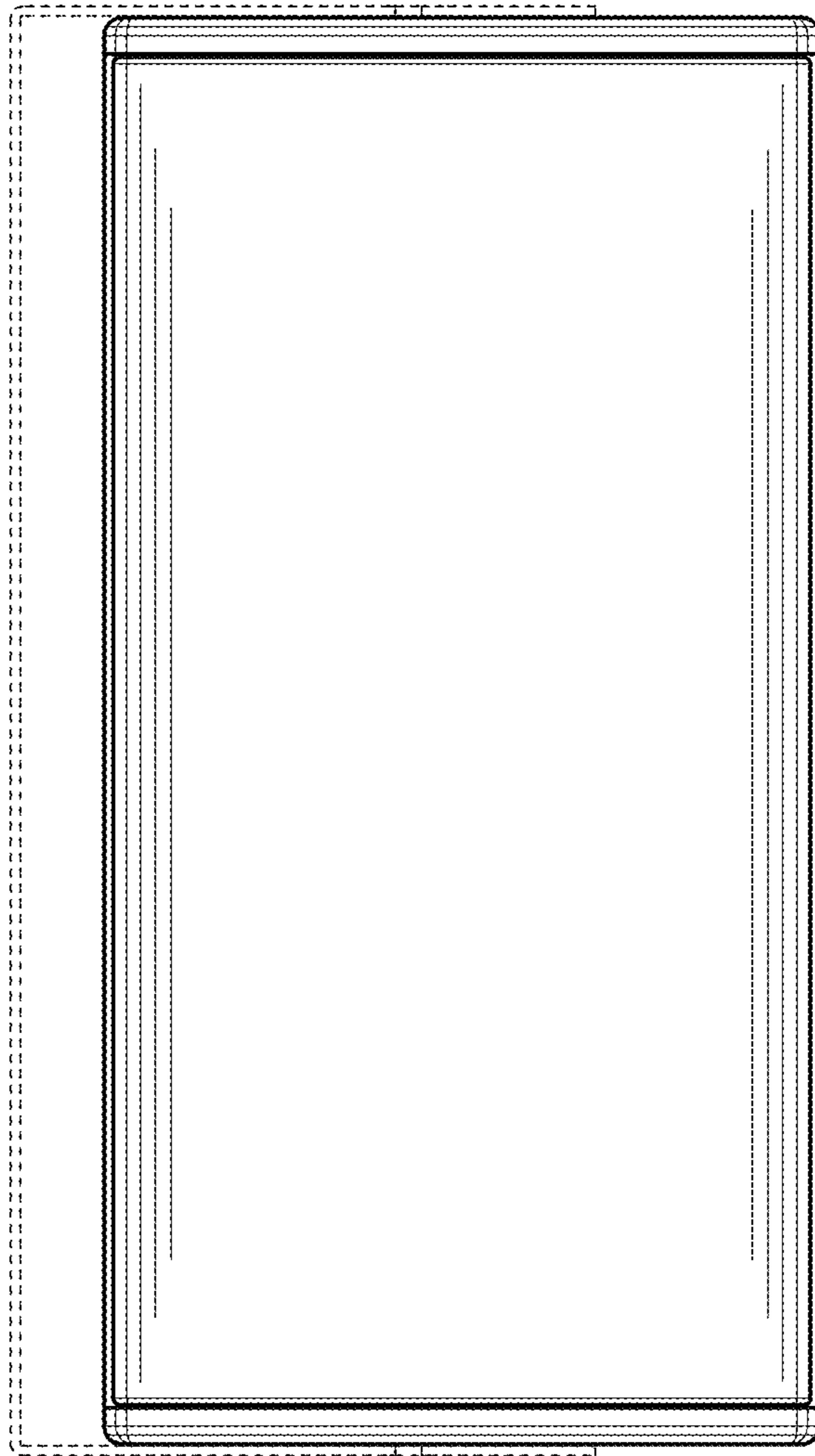


FIG. 9

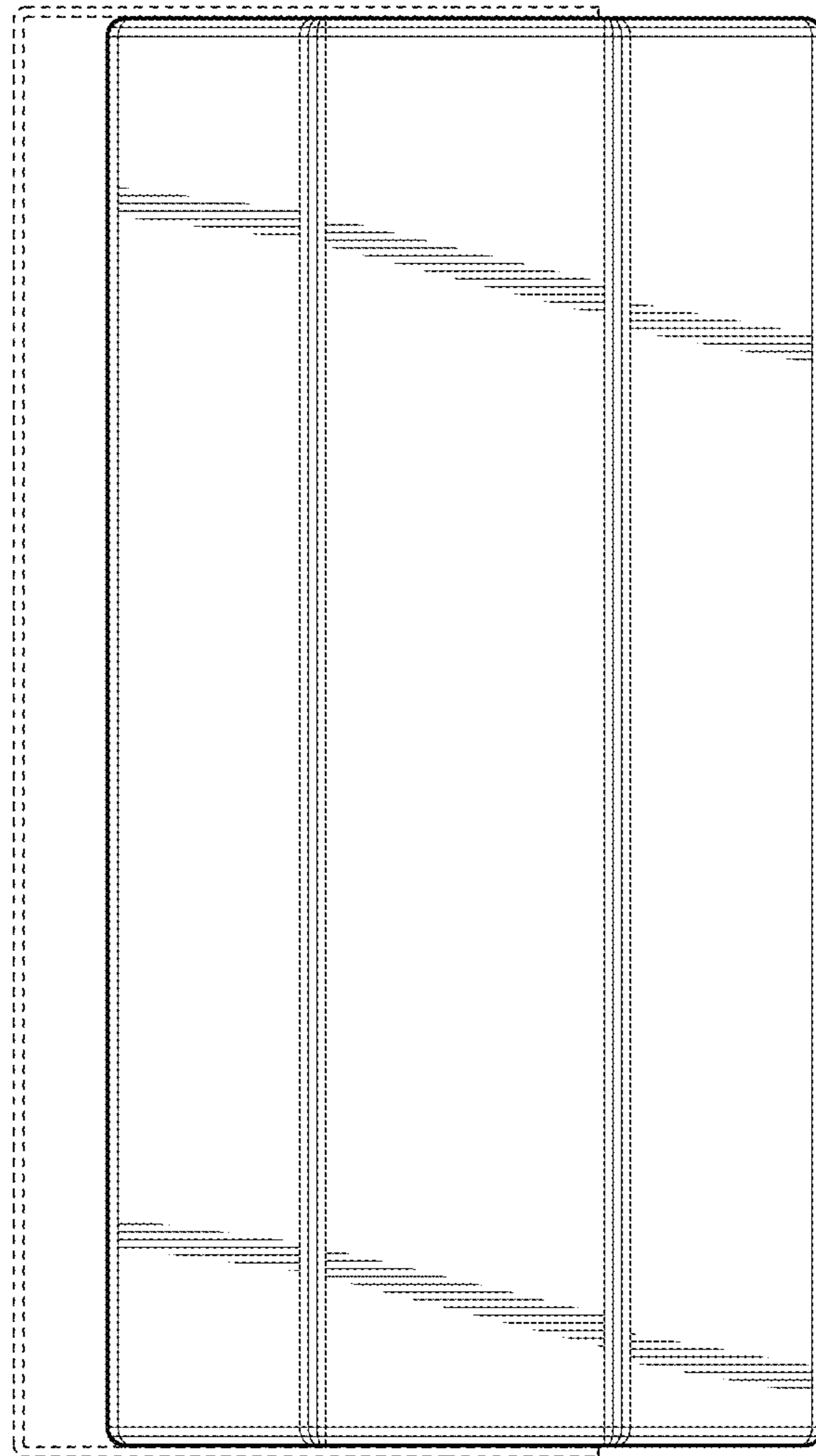


FIG. 10

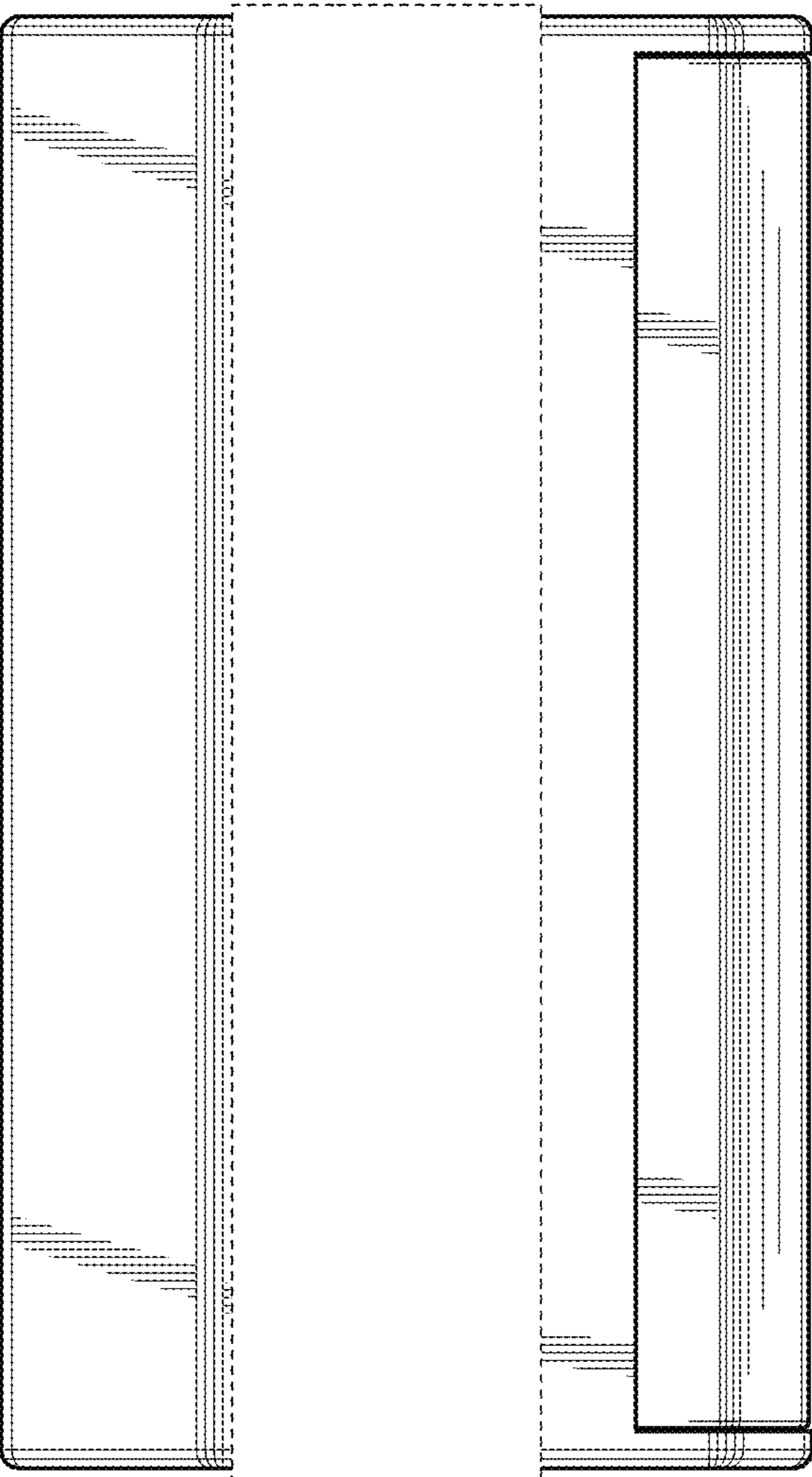


FIG. 11

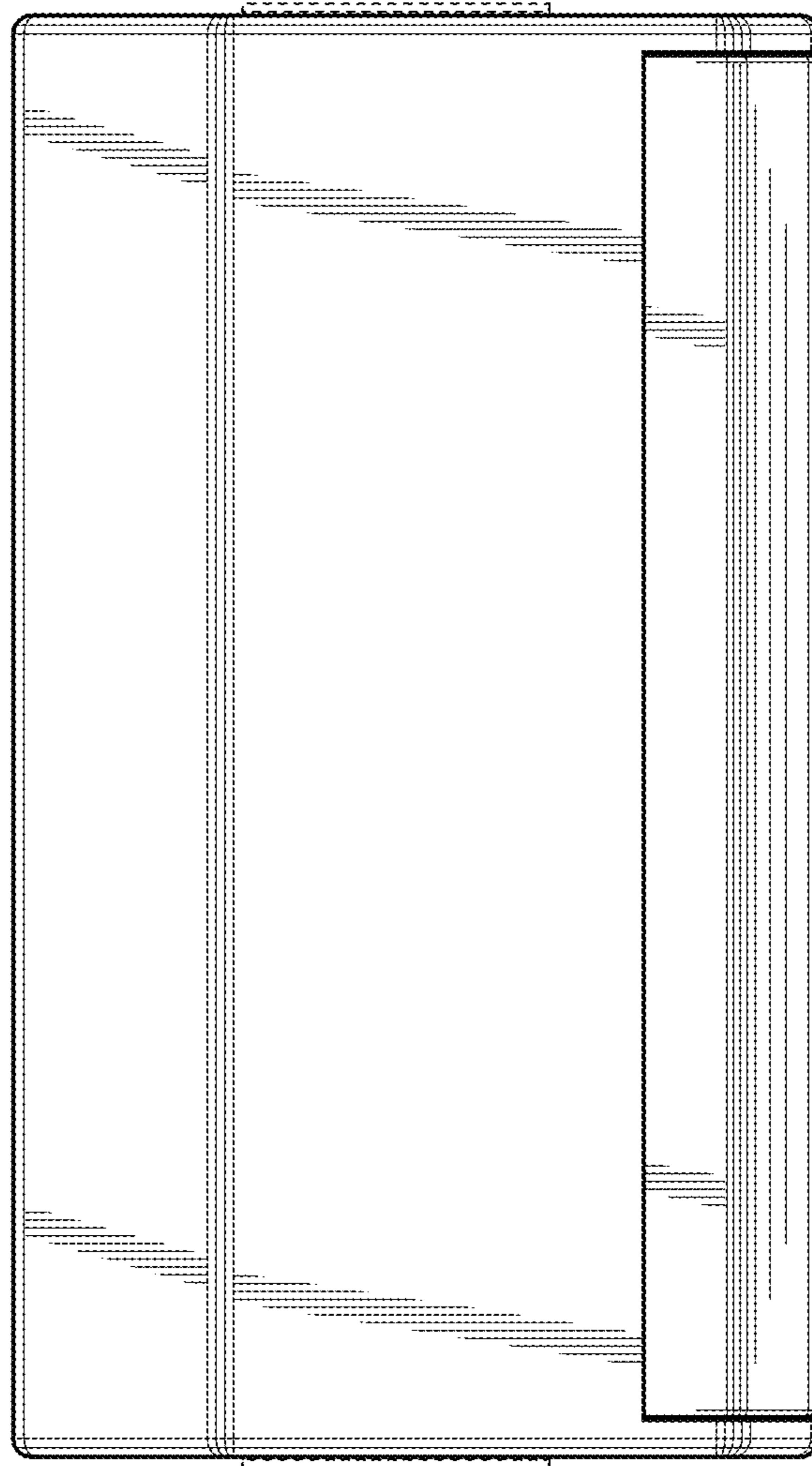


FIG. 12

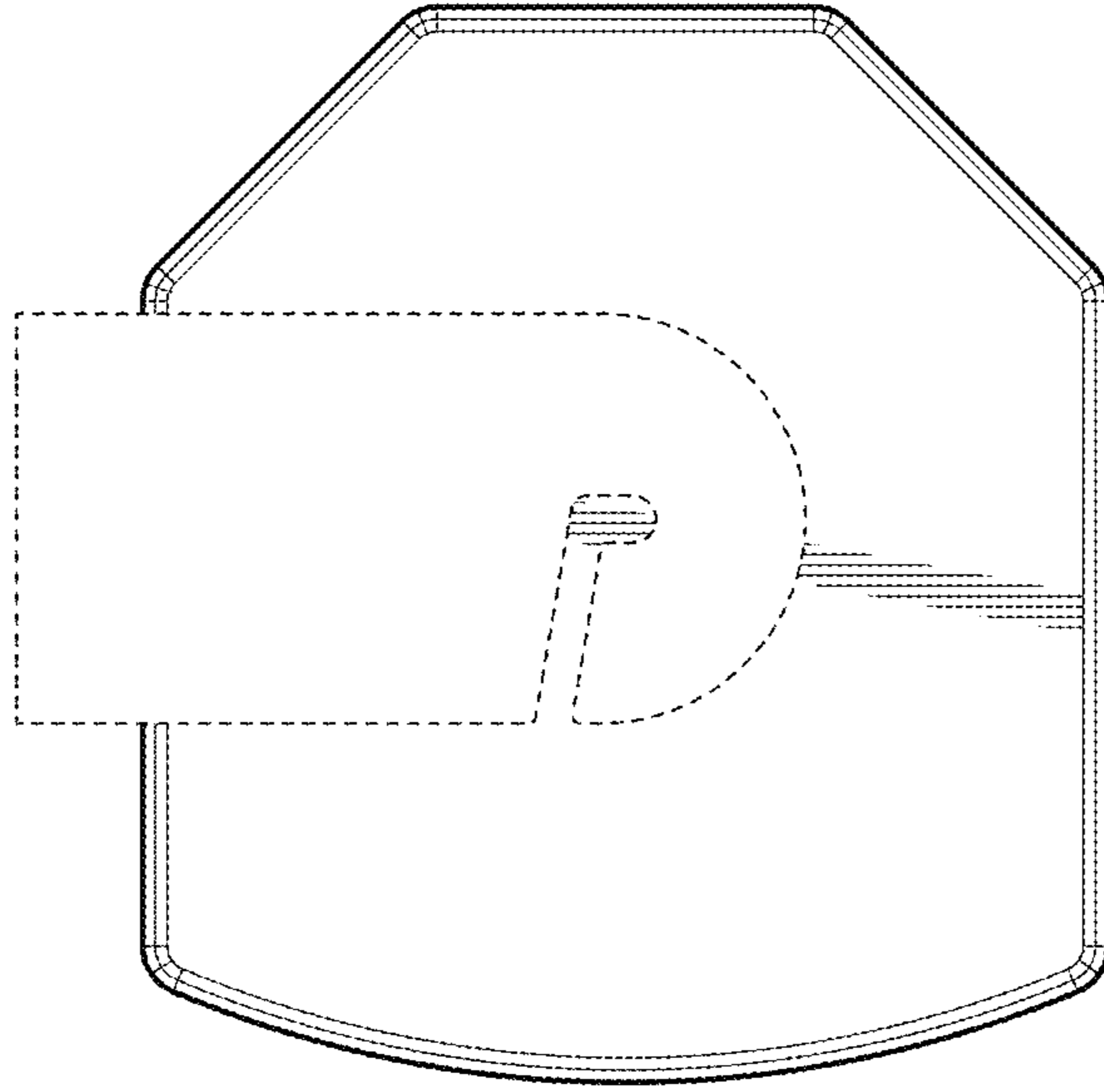


FIG. 14

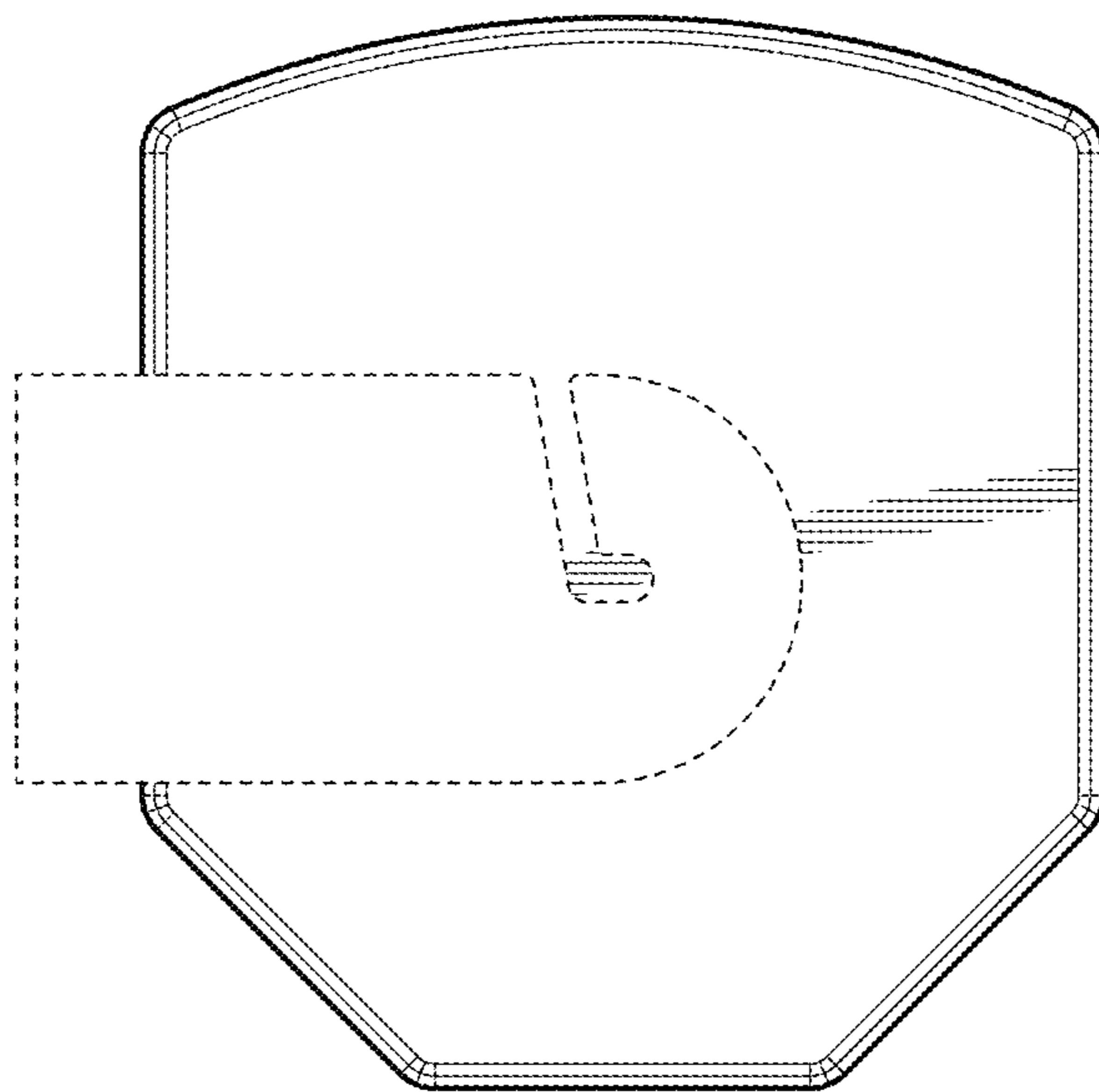


FIG. 13