



US00D753091S

(12) **United States Design Patent**
Miyake et al.

(10) **Patent No.:** **US D753,091 S**
(45) **Date of Patent:** **** Apr. 5, 2016**

- (54) **REMOTE CONTROLLER FOR EARPHONES**
- (71) Applicant: **YAMAHA CORPORATION**,
Hamamatsu-shi, Shizuoka (JP)
- (72) Inventors: **Kazushige Miyake**, Setagaya-ku (JP);
Mitsuru Hosoo, Shinagawa-ku (JP)
- (73) Assignee: **YAMAHA CORPORATION**,
Hamamatsu-shi (JP)
- (**) Term: **14 Years**
- (21) Appl. No.: **29/516,265**
- (22) Filed: **Jan. 30, 2015**
- (30) **Foreign Application Priority Data**
Aug. 1, 2014 (JP) 2014-016812
- (51) **LOC (10) Cl.** **14-01**
- (52) **U.S. Cl.**
USPC **D14/205; D14/218**
- (58) **Field of Classification Search**
USPC D14/205, 206, 203.5, 218, 217, 124,
D14/155, 433, 191, 240, 188, 412, 496;
D13/168; D10/104.1, 106.1, 46;
379/420.04; 455/569.2
CPC H04R 25/558
See application file for complete search history.

- (56) **References Cited**
U.S. PATENT DOCUMENTS
2,321,563 A * 6/1943 Penley D06F 55/00
24/332
2,754,365 A * 7/1956 Walters H04R 1/225
181/132
2,924,705 A * 2/1960 Jones G08B 3/1058
340/7.58
3,049,582 A * 8/1962 Shinn H01R 4/70
174/92
D223,097 S * 3/1972 Krumin D14/191
4,083,481 A * 4/1978 Selinko A45F 5/02
224/269
D280,494 S * 9/1985 Abel D10/106.1
D280,896 S * 10/1985 Campbell D14/155
4,828,153 A * 5/1989 Guzik A45F 5/02
224/242

- 4,893,344 A * 1/1990 Tragardh H04M 1/05
379/430
- 4,937,604 A * 6/1990 Yoshida G03B 17/38
396/56
- D310,349 S * 9/1990 Rowen D13/168
- 4,956,895 A * 9/1990 Hayasaka A44B 99/00
224/667
- D316,550 S * 4/1991 Sogabe D14/168
- D317,593 S * 6/1991 Rowen D13/168
- 5,089,808 A * 2/1992 Amirdash G08B 21/02
340/573.7
- D334,043 S * 3/1993 Taniguchi D14/218
- 5,247,293 A * 9/1993 Nakagawa G11B 15/023
340/4.42
- 5,361,459 A * 11/1994 Hyvonen A45F 5/02
224/269
- 5,414,596 A * 5/1995 Eaton H01M 2/1005
361/814
- D361,058 S * 8/1995 Domel D13/168
- D366,262 S * 1/1996 Inaba D10/104.1
- 5,481,251 A * 1/1996 Buys H03J 7/18
340/12.22
- D371,133 S * 6/1996 Andrea D14/206
- 5,835,852 A * 11/1998 Bundgardt H04M 1/0214
455/128
- D405,796 S * 2/1999 Uehara D14/218
- 6,122,369 A * 9/2000 Hwang H04M 1/6058
379/420.03
- D450,337 S * 11/2001 Hamamura D13/168
- 6,438,248 B1 * 8/2002 Kamimura H04M 1/05
381/374

(Continued)

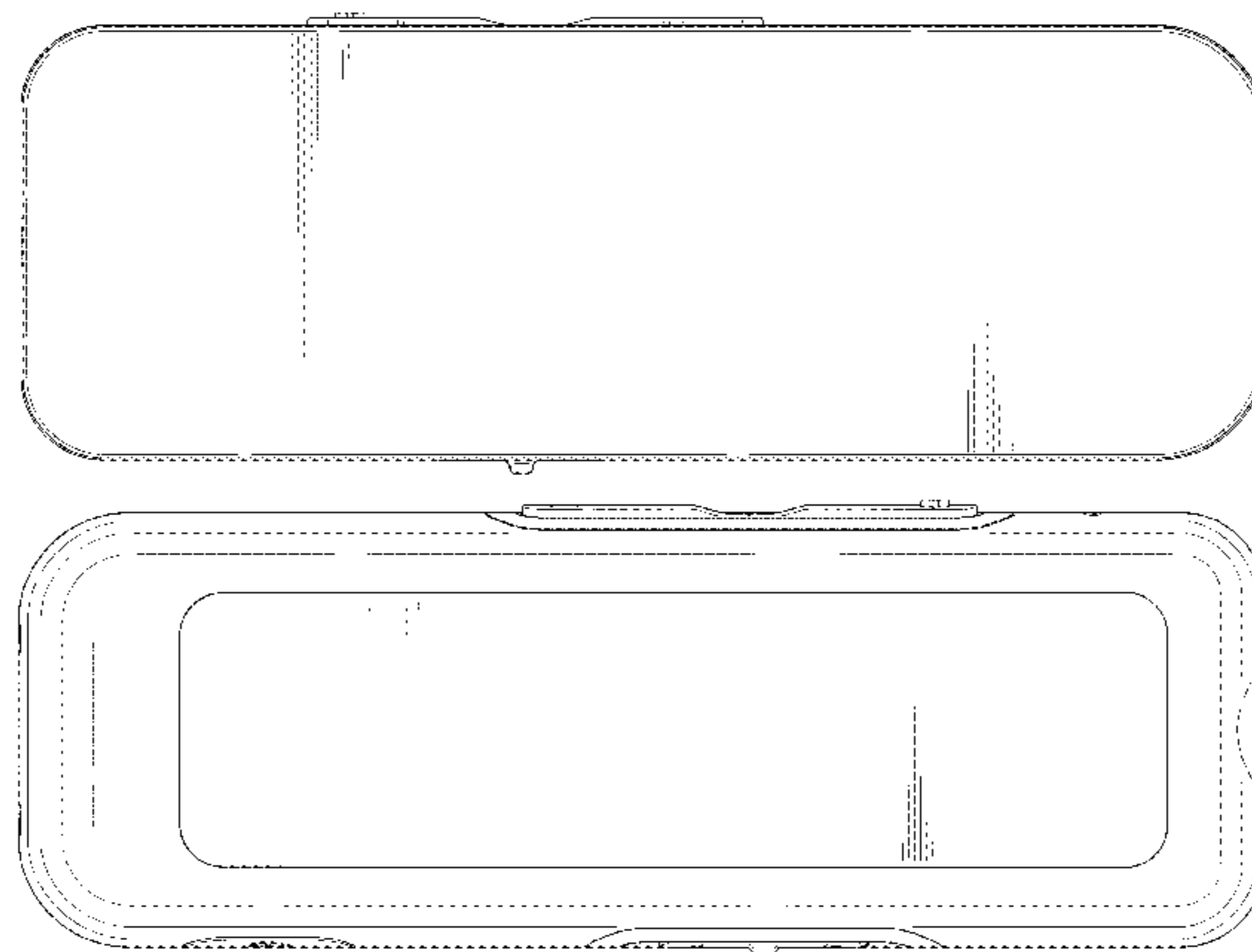
Primary Examiner — Paula Greene
(74) *Attorney, Agent, or Firm* — Sughrue Mion, PLLC

(57) **CLAIM**
The ornamental design for a remote controller for earphones,
as shown and described.

DESCRIPTION

FIG. 1 is a front view of a remote controller for earphones showing our new design;
FIG. 2 is a rear view thereof;
FIG. 3 is a left side view thereof;
FIG. 4 is a right side view thereof;
FIG. 5 is a top plan view thereof; and,
FIG. 6 is a bottom view thereof.
The broken lines shown are included for the purpose of illustrating the unclaimed portions of a remote controller for earphones and form no part of the claimed design.

1 Claim, 5 Drawing Sheets



(56)

References Cited

U.S. PATENT DOCUMENTS

| | | | | | |
|--------------|------|---------|---------------|-------|---------------------------|
| 6,526,142 | B1 * | 2/2003 | Fan | | H04M 1/2155 379/420.04 |
| D475,996 | S * | 6/2003 | Skulley | | D14/223 |
| D479,222 | S * | 9/2003 | Lu | | D14/192 |
| D479,225 | S * | 9/2003 | De Saulles | | D14/218 |
| D496,653 | S * | 9/2004 | Townsend | | D14/240 |
| D511,157 | S * | 11/2005 | Johnson | | D14/223 |
| D517,052 | S * | 3/2006 | Skulley | | D14/223 |
| D532,776 | S * | 11/2006 | Griffin | | D14/435.1 |
| D535,974 | S * | 1/2007 | Alwicker | | D14/188 |
| D536,692 | S * | 2/2007 | Alwicker | | D14/188 |
| D539,777 | S * | 4/2007 | Pena Angarita | | D14/138 R |
| D558,735 | S * | 1/2008 | Carr | | D14/206 |
| D567,216 | S * | 4/2008 | Densho | | D14/205 |
| D569,841 | S * | 5/2008 | Chung | | D14/205 |
| D590,371 | S * | 4/2009 | Leinvuo | | D14/205 |
| D592,649 | S * | 5/2009 | L'Henaff | | D14/240 |
| D592,677 | S * | 5/2009 | Sheba | | D14/434 |
| D602,919 | S * | 10/2009 | Bodley | | D14/225 |
| D603,378 | S * | 11/2009 | Paradise | | D14/223 |
| D604,722 | S * | 11/2009 | Mistry | | D14/223 |
| D607,898 | S * | 1/2010 | Lee | | D14/203.3 |
| D611,470 | S * | 3/2010 | Andre | | D14/341 |
| D614,167 | S * | 4/2010 | Brickstad | | D14/205 |
| D635,125 | S * | 3/2011 | Nousiainen | | D14/223 |
| D638,409 | S * | 5/2011 | Walter | | D14/223 |
| D643,420 | S * | 8/2011 | Huang | | D14/223 |
| D643,832 | S * | 8/2011 | Park | | D14/218 |
| D646,280 | S * | 10/2011 | Yano | | D14/188 |
| 8,073,181 | B2 * | 12/2011 | Bakalos | | H04R 3/04 381/103 |
| D662,488 | S * | 6/2012 | Yeo | | D14/203.3 |
| D664,950 | S * | 8/2012 | Rye | | D14/223 |
| D678,849 | S * | 3/2013 | McCullar | | D13/168 |
| D681,120 | S * | 4/2013 | Zhong | | D20/23 |
| D693,796 | S * | 11/2013 | Birger | | D14/223 |
| D698,750 | S * | 2/2014 | Yoon | | D14/205 |
| D702,732 | S * | 4/2014 | Wu | | D14/203.5 |
| D712,873 | S * | 9/2014 | Krauss | | D14/205 |
| D713,421 | S * | 9/2014 | Kaneta | | D14/496 |
| D716,268 | S * | 10/2014 | Yamamoto | | D14/218 |
| D716,274 | S * | 10/2014 | Henning | | D14/223 |
| D737,796 | S * | 9/2015 | Liu | | D14/205 |
| D739,852 | S * | 9/2015 | Jiang | | D14/240 |
| 2008/0032737 | A1 * | 2/2008 | Liu | | H04M 1/72522 455/556.1 |

* cited by examiner

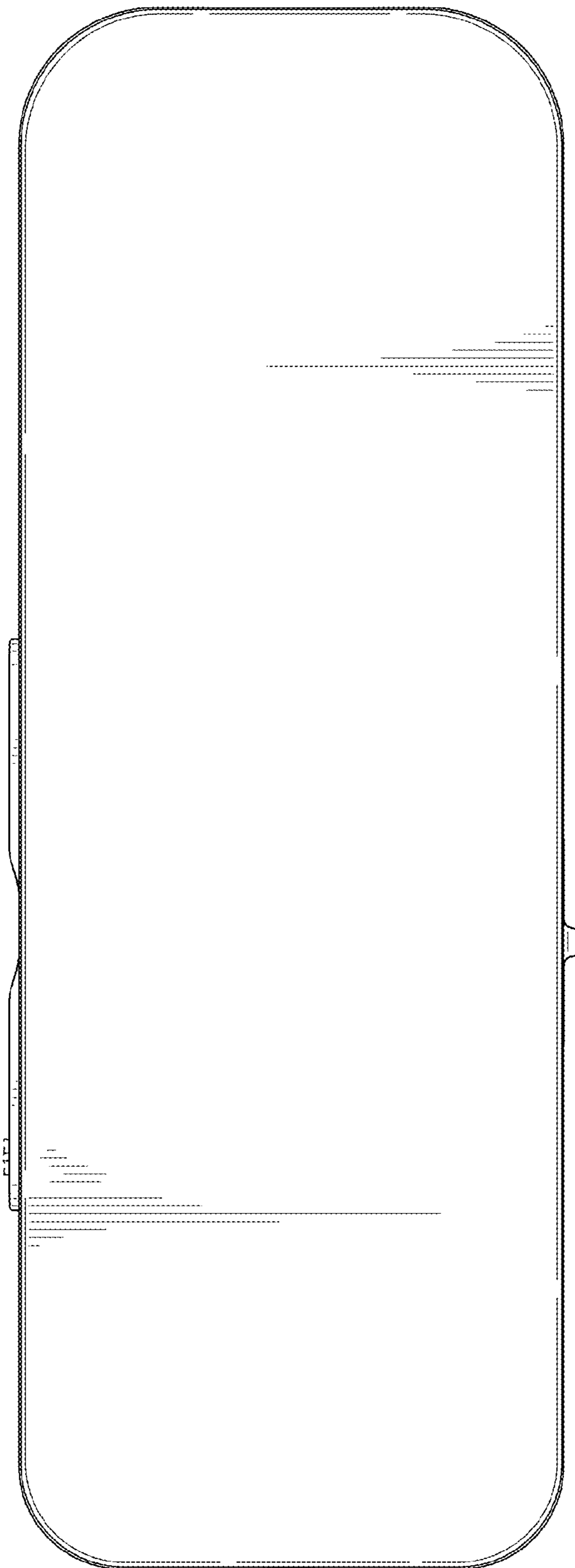


FIG. 1

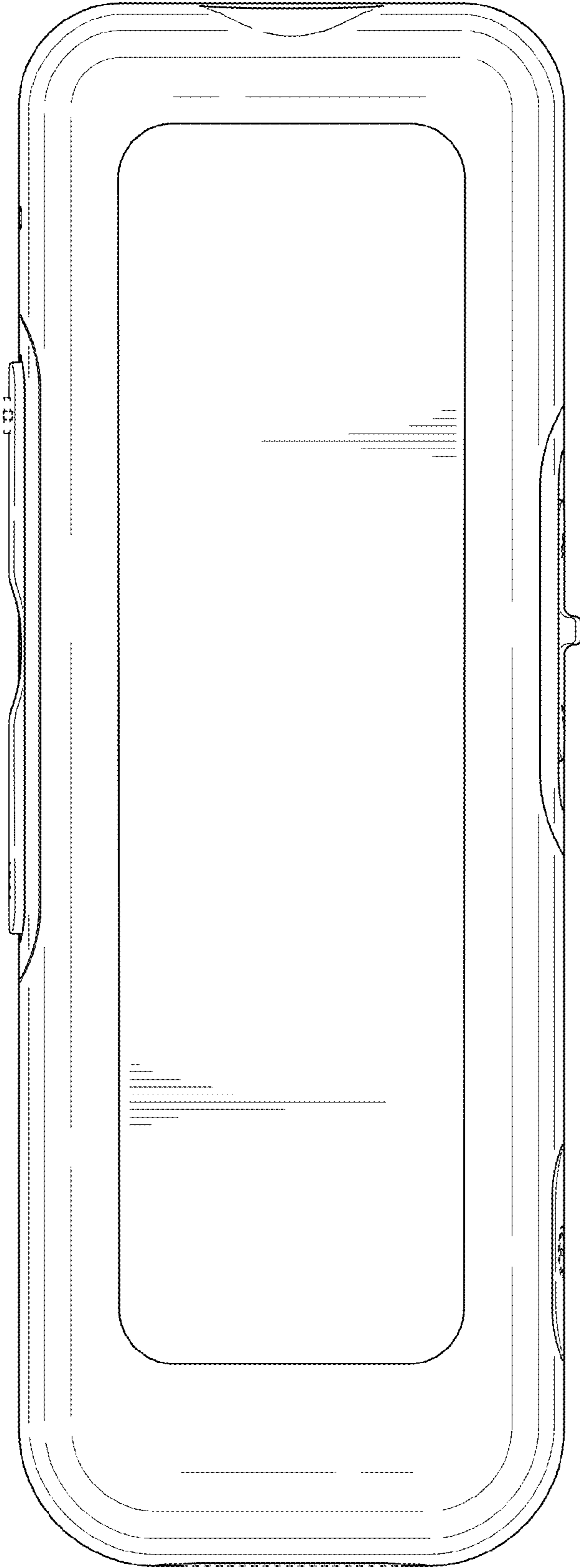


FIG. 2

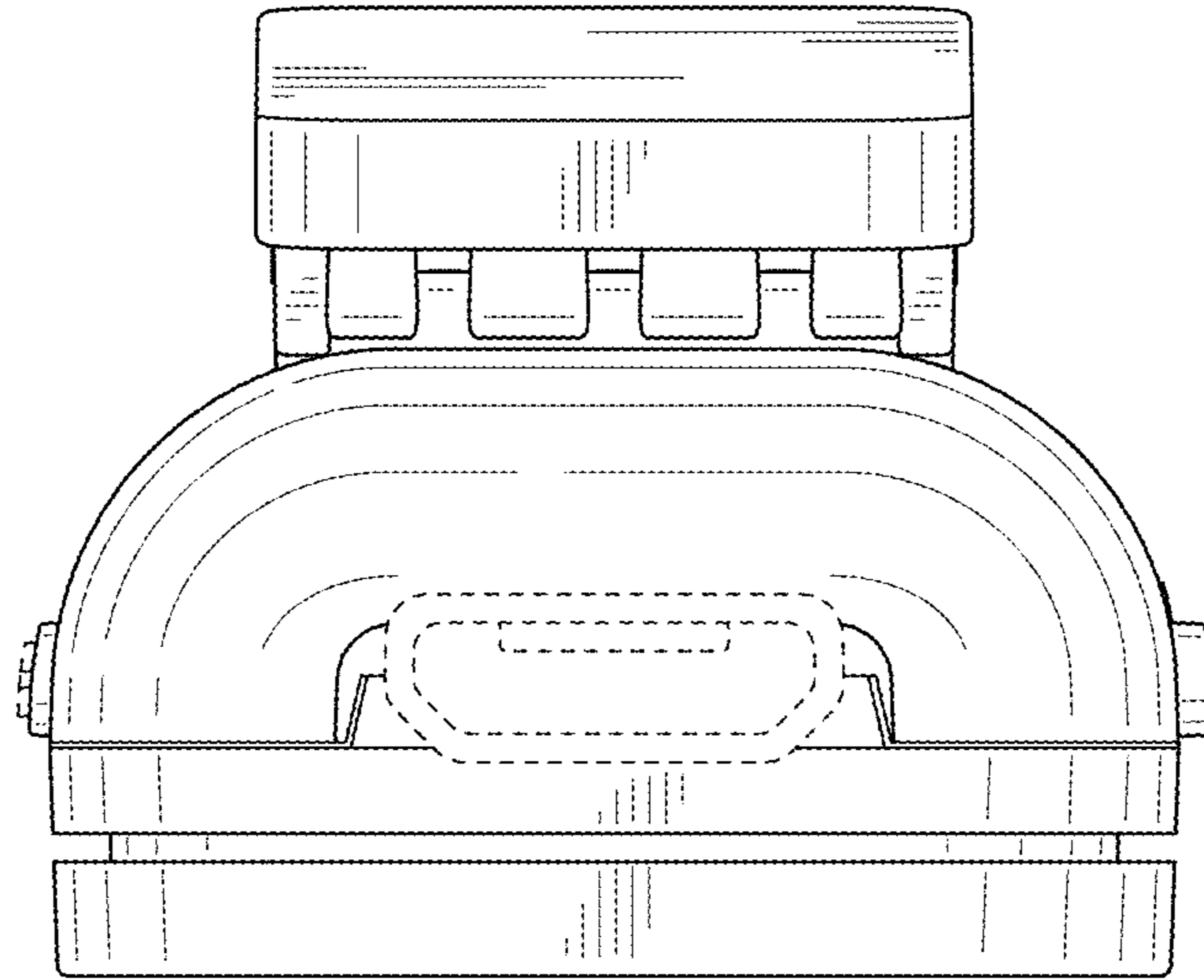


FIG. 4

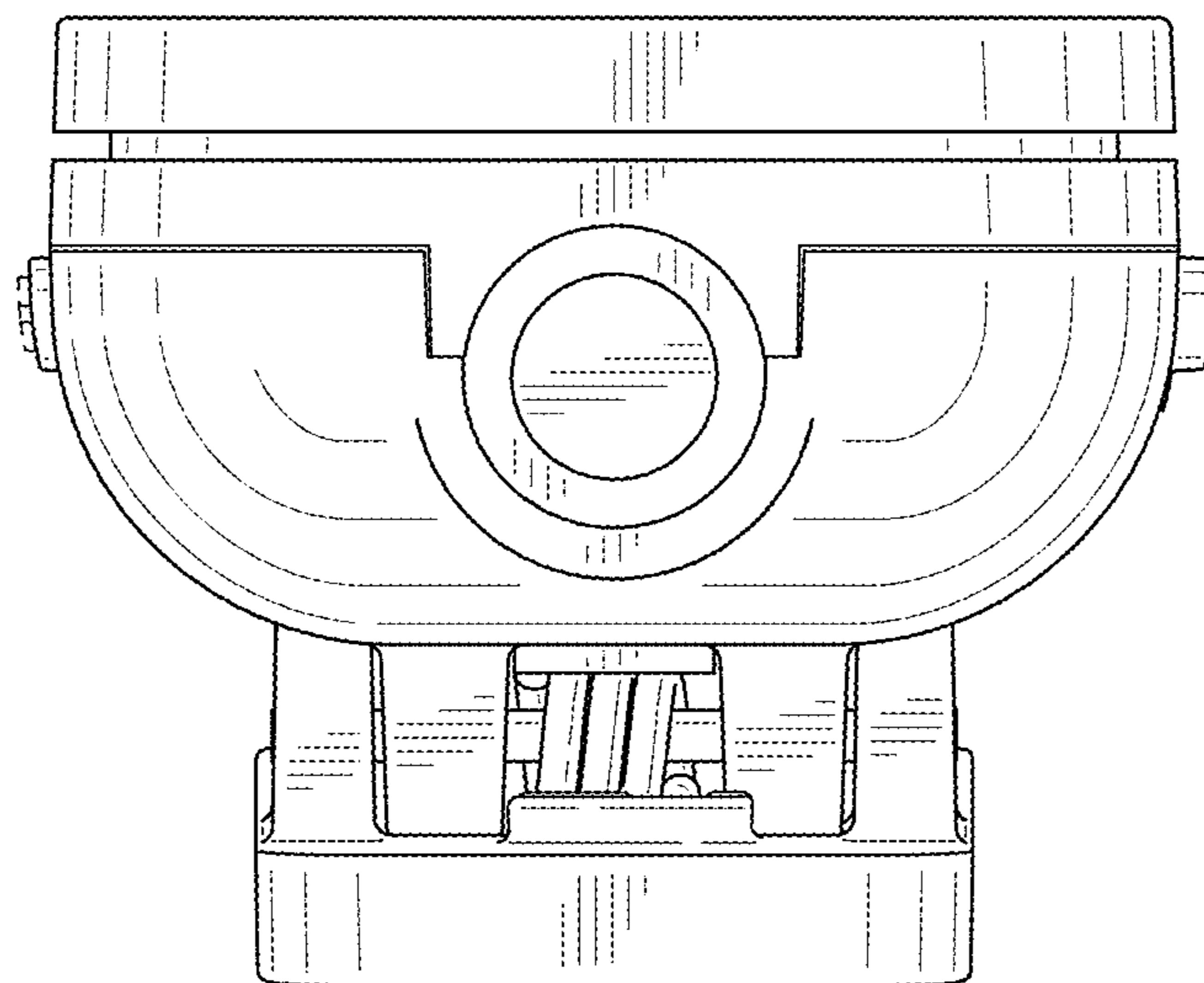


FIG. 3

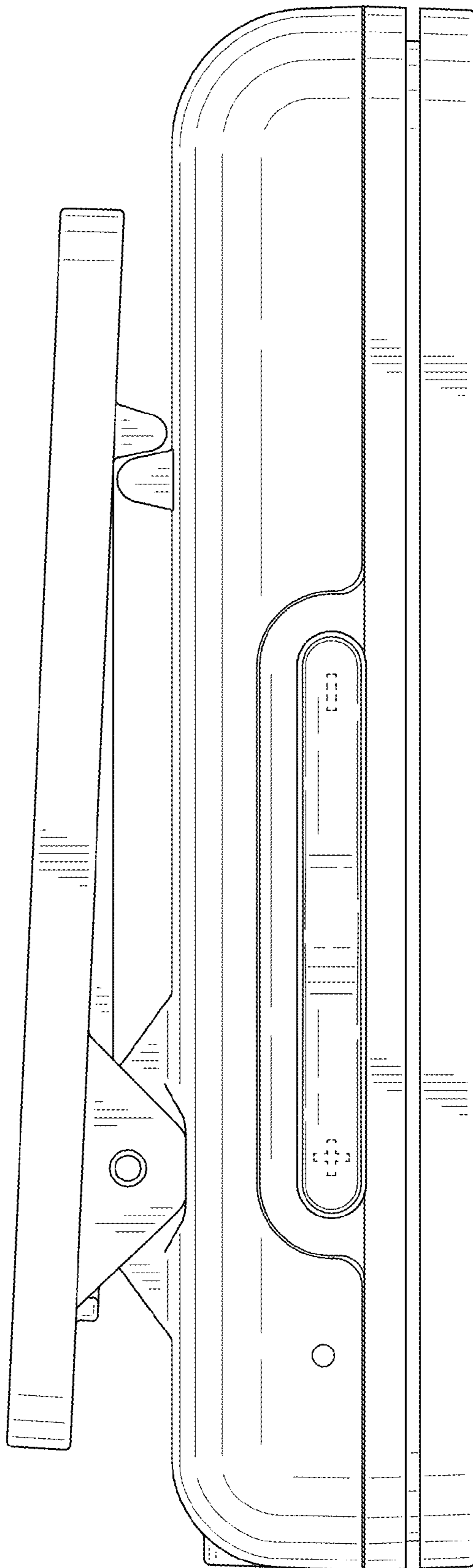


FIG. 5

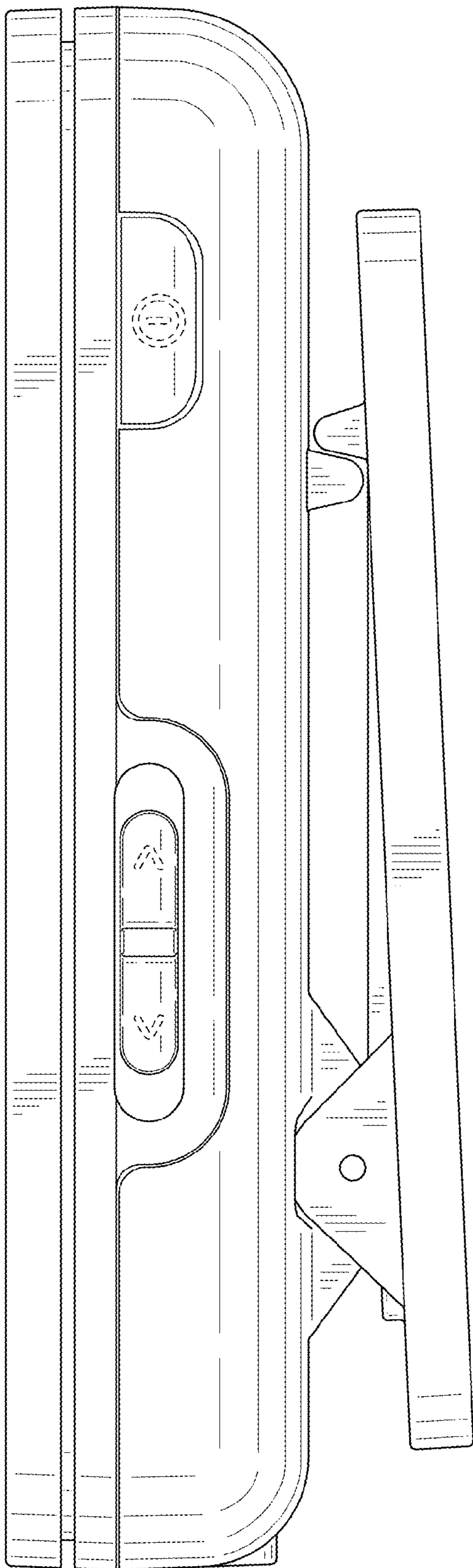


FIG. 6