



US00D753090S

(12) **United States Design Patent**
Langhammer et al.

(10) **Patent No.:** **US D753,090 S**
(45) **Date of Patent:** **** Apr. 5, 2016**

(54) **MEDIA PLAYER**

(71) Applicant: **Amazon Technologies, Inc.**, Seattle, WA (US)

(72) Inventors: **Heinz-Dominik Langhammer**, San Francisco, CA (US); **Marc Rene Walliser**, San Francisco, CA (US); **Robert Brian Curtis**, San Francisco, CA (US); **Christopher Green**, San Francisco, CA (US)

(73) Assignee: **Amazon Technologies, Inc.**, Seattle, WA (US)

(**) Term: **14 Years**

(21) Appl. No.: **29/503,723**

(22) Filed: **Sep. 29, 2014**

(51) **LOC (10) Cl.** **14-03**

(52) **U.S. Cl.**
USPC **D14/203.3; D14/435.1**

(58) **Field of Classification Search**
USPC D14/496, 401, 435, 474, 483, 217, 137, D14/138, 160, 168, 356, 203.1-203.8, 507, D14/435.1; 345/156, 169, 173-179, 905; 715/727-729, 864; 710/4, 72-74; 713/1, 600; 455/1.1, 1.7, 73, 344-347, 455/93, 95, 3.01-3.06, 550.1, 573.1; 370/342-344; 369/1, 2, 6-12; 463/43-47; 273/148 B; 439/131, 176, 439/221, 227, 660, 638
CPC . A63F 13/00; A63F 11/00; A63F 2300/8047; G06F 17/00; G06F 21/00; H01R 4/00; H01R 4/18

See application file for complete search history.

(56) **References Cited**

U.S. PATENT DOCUMENTS

7,407,390 B1 * 8/2008 Ni G06K 19/07732 361/752
D579,934 S * 11/2008 Okamoto D14/435.1

(Continued)

FOREIGN PATENT DOCUMENTS

KR 3020030005371 12/2003
KR 3020030037580 11/2004
KR 3020080014291 10/2009

OTHER PUBLICATIONS

The Canadian Office Action mailed May 28, 2015 for Canadian design application No. 161051, a counterpart foreign application of design U.S. Appl. No. 29/503,723, 1 page.

(Continued)

Primary Examiner — Prabhakar Deshmukh

(74) *Attorney, Agent, or Firm* — Lee & Hayes, PLLC

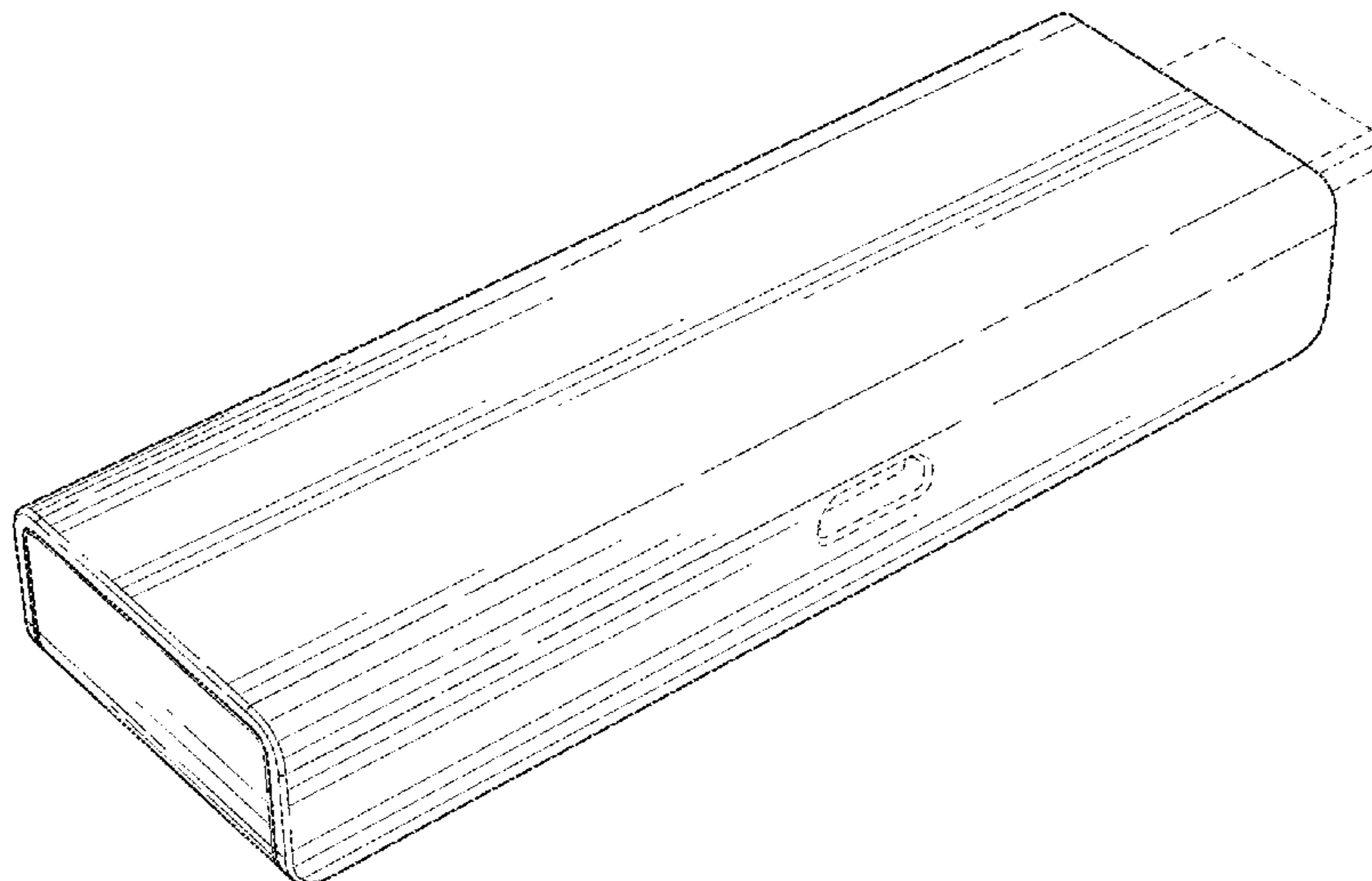
(57) **CLAIM**

The ornamental design for a media player, as shown and described.

DESCRIPTION

FIG. 1 is a perspective view of a media player;
FIG. 2 is another perspective view of the media player of FIG. 1;
FIG. 3 is a top view of the media player of FIG. 1;
FIG. 4 is a bottom view of the media player of FIG. 1;
FIG. 5 is a left-side view of the media player of FIG. 1;
FIG. 6 is a right-side view of the media player of FIG. 1;
FIG. 7 is a front view of the media player of FIG. 1; and,
FIG. 8 is a back view of the media player of FIG. 1.
The broken lines are directed to unclaimed portions and form no part of the claimed design.

1 Claim, 2 Drawing Sheets



(56)

References Cited

U.S. PATENT DOCUMENTS

D591,758 S * 5/2009 Lee D14/435.1
7,575,481 B1 * 8/2009 Liu H01R 31/065
439/660
D648,726 S * 11/2011 Behar D14/435.1
D655,708 S * 3/2012 Frank D14/435.1
D669,899 S * 10/2012 Cheng D14/435.1
8,305,750 B2 * 11/2012 Hsieh H01R 13/193
200/284
D695,787 S * 12/2013 Otani D14/203.1
8,602,826 B2 * 12/2013 Zhang H01R 24/62
439/607.01
8,610,398 B2 * 12/2013 Lee H02J 7/0042

D707,680 S * 6/2014 Akana D14/433
8,979,598 B2 * 3/2015 Liao H01R 13/447
439/730

OTHER PUBLICATIONS

The Indian Office Action mailed Jun. 15, 2015 for Indian patent application No. 270568, a counterpart foreign application of U.S. Appl. No. 29/503,723, 27 pages.
The Korean Office Action mailed Sep. 11, 2015 for Korean patent application No. 30-2015-11270, a counterpart foreign application of U.S. Appl. No. 29/503,723, 3 pages.

* cited by examiner

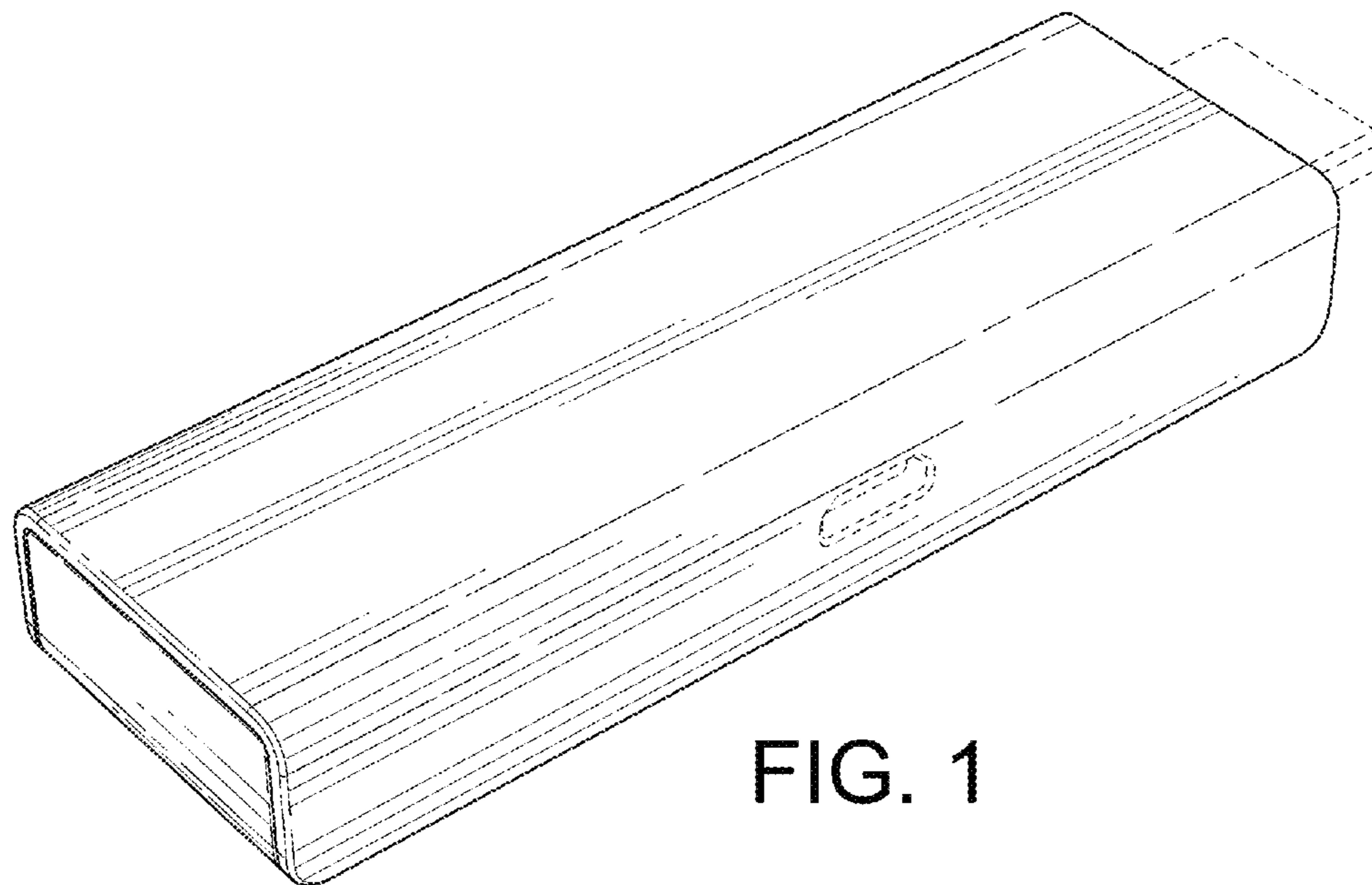


FIG. 1

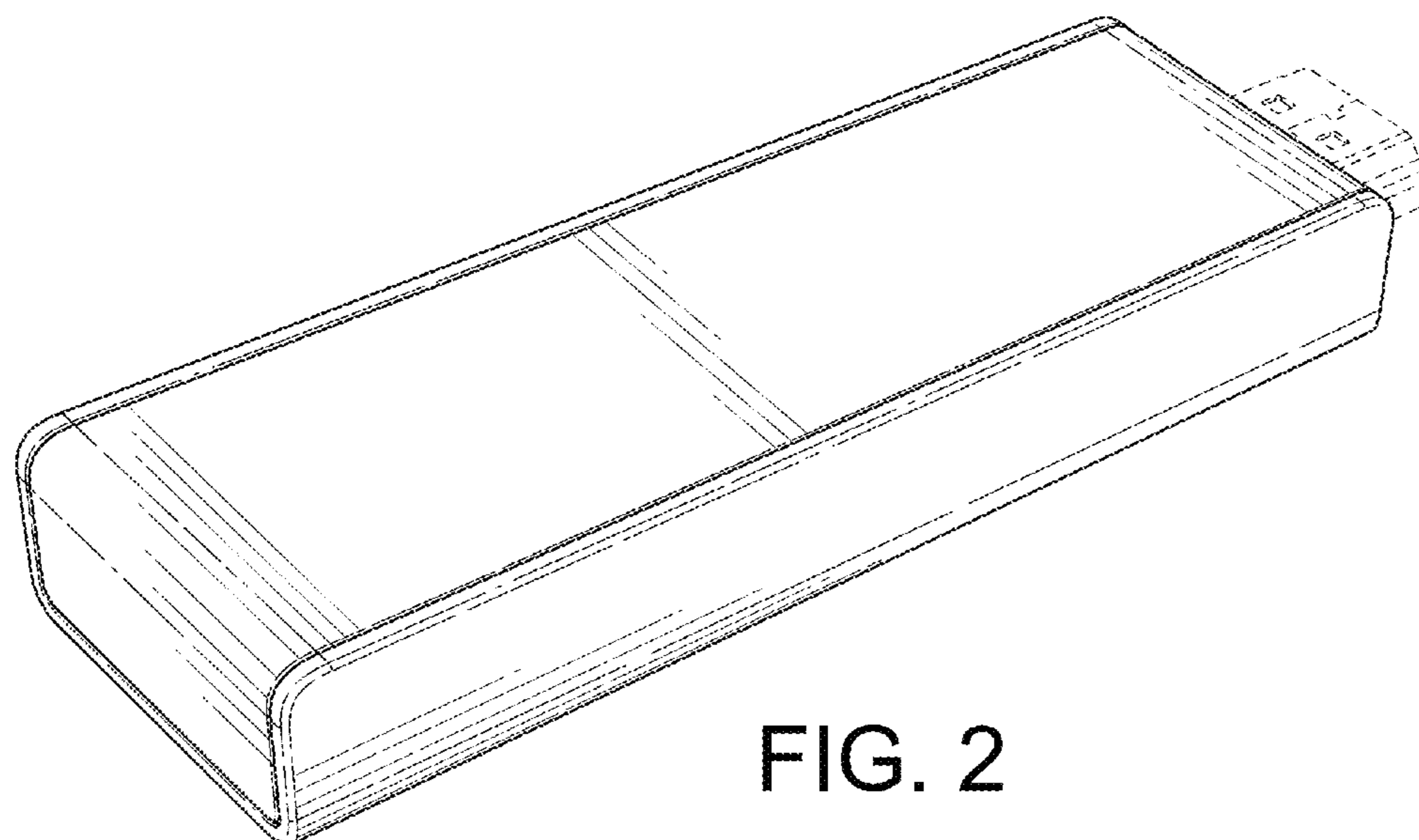


FIG. 2

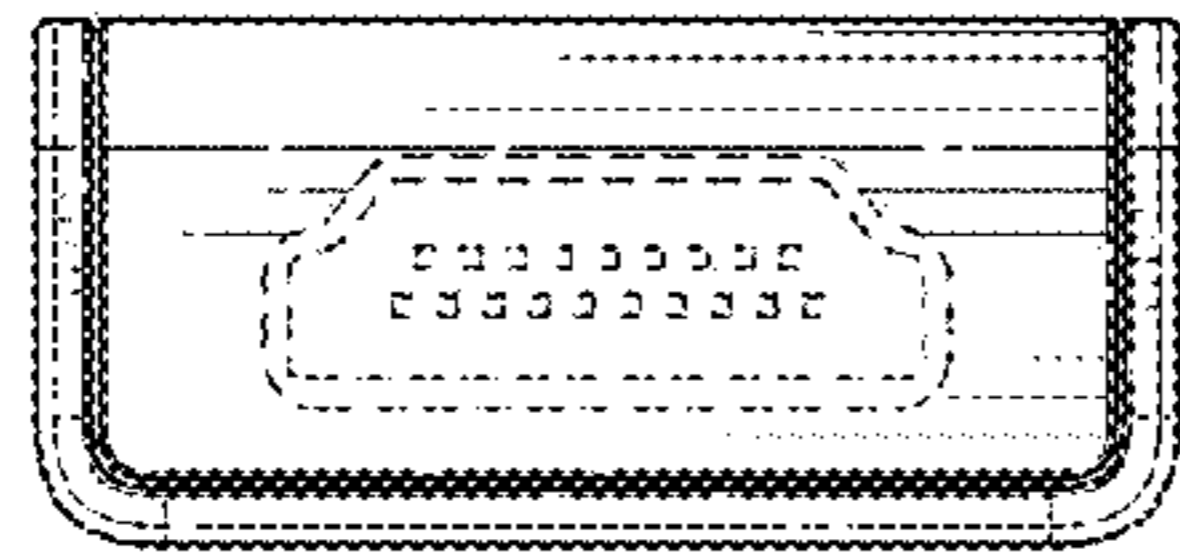


FIG. 8



FIG. 7

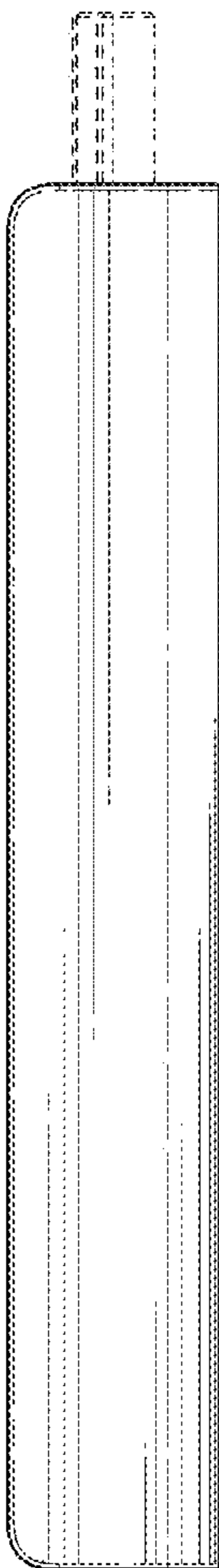


FIG. 5

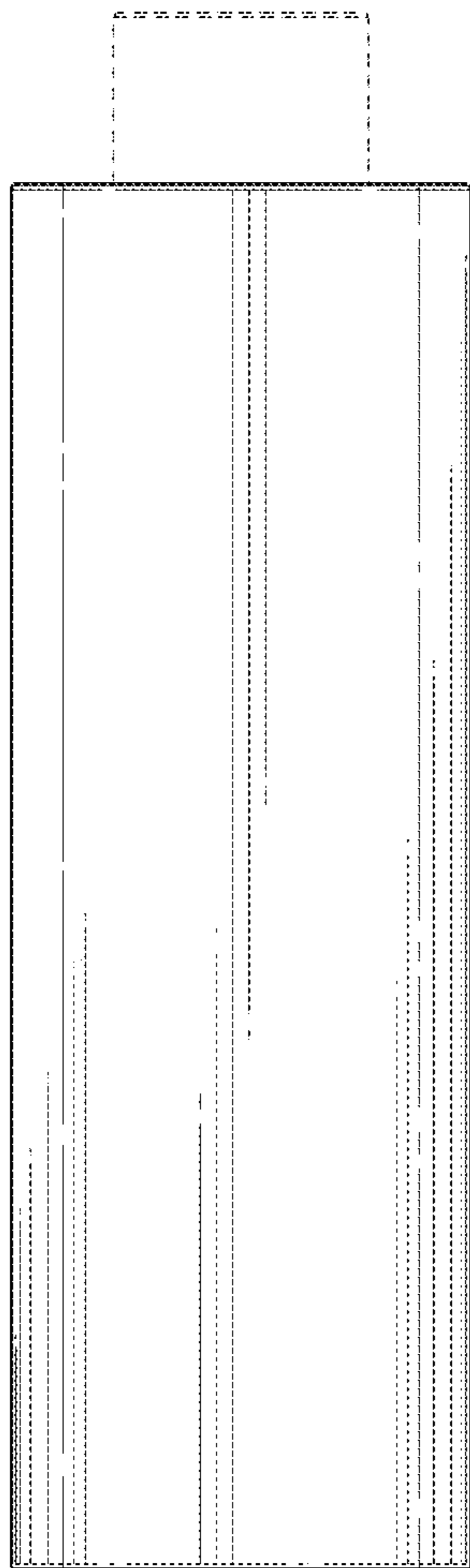


FIG. 3

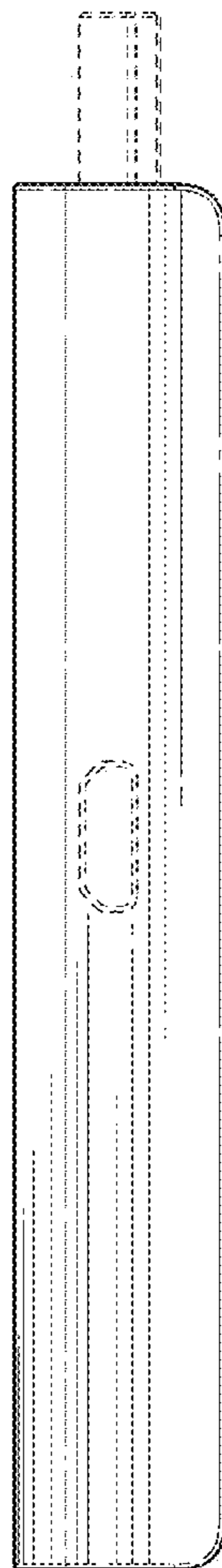


FIG. 6

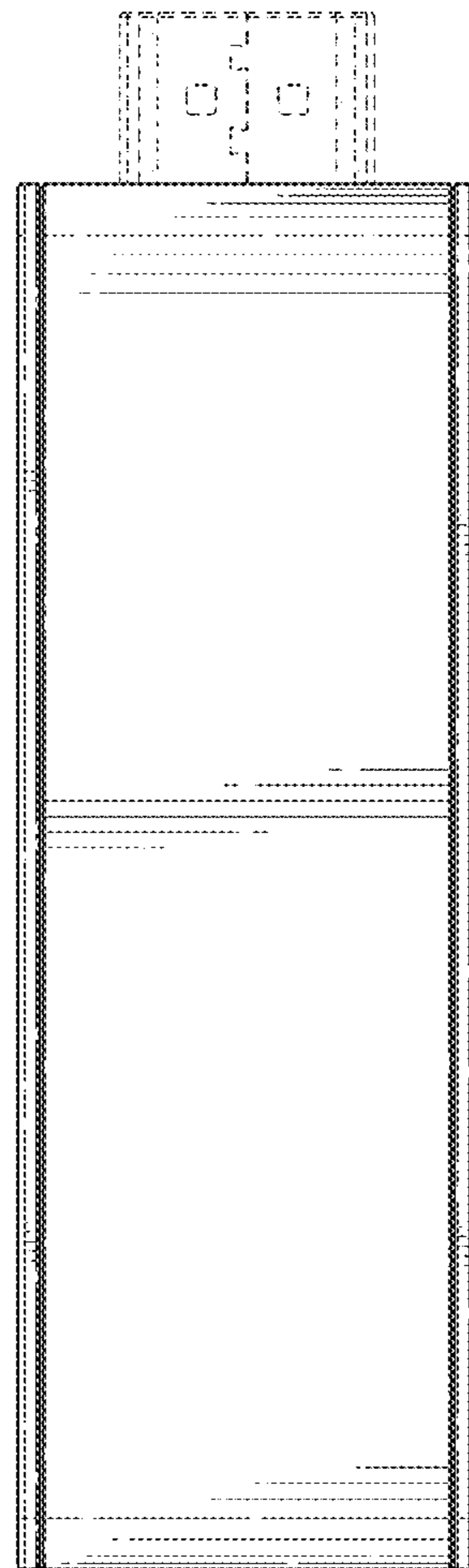


FIG. 4