



US00D753081S

(12) **United States Design Patent**
Kodera et al.

(10) **Patent No.:** **US D753,081 S**
(45) **Date of Patent:** **** Apr. 5, 2016**

(54) **TELEVISION SET**

(71) Applicant: **Sharp Kabushiki Kaisha**, Osaka-shi,
Osaka (JP)

(72) Inventors: **Takeshi Kodera**, Osaka (JP); **Keiichi Takao**, Osaka (JP); **Nobuhara Nagai**, Osaka (JP)

(73) Assignee: **SHARP KABUSHIKI KAISHA**, Osaka-shi, Osaka (JP)

(**) Term: **14 Years**

(21) Appl. No.: **29/510,770**

(22) Filed: **Dec. 3, 2014**

(30) **Foreign Application Priority Data**

Jun. 4, 2014 (JP) 2014-012027

(51) **LOC (10) Cl.** **14-03**

(52) **U.S. Cl.**
USPC **D14/126**

(58) **Field of Classification Search**
USPC D14/125-134, 239, 371, 136, 374-377,
D14/440, 450, 448, 336, 342, 159; 312/7.2;
348/836, 838, 180, 184, 325, 739;
248/917-924, 465; 345/104, 133, 156,
345/168, 87, 173; D21/329, 515, 577, 622,
D21/333, 433, 448, 452, 450, 331, 505;
D10/15, 26; 446/484, 175, 356;
D6/477, 479, 300

CPC ... G06F 1/1601; G06F 1/1643; H05K 5/0004;
H05K 5/0017; H05K 5/02; H05K 5/0217

See application file for complete search history.

(56) **References Cited**

U.S. PATENT DOCUMENTS

D336,645 S 6/1993 Saito et al.
D336,960 S 6/1993 Saito et al.
D337,113 S 7/1993 Saito et al.

D338,668 S 8/1993 Saito et al.
D342,497 S 12/1993 Saito et al.
D342,501 S 12/1993 Saeki et al.
D342,509 S 12/1993 Saito et al.

(Continued)

OTHER PUBLICATIONS

Design U.S. Appl. No. 29/446,834, filed Feb. 27, 2013, "Television Set".

(Continued)

Primary Examiner — Raphael Barkai

(74) *Attorney, Agent, or Firm* — Nixon & Vanderhye, PC

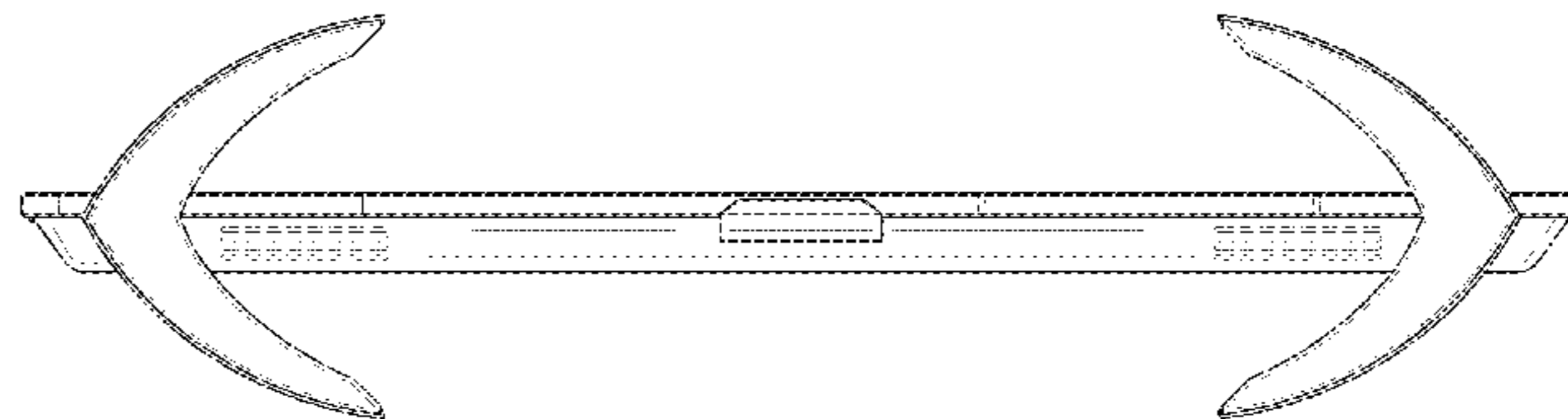
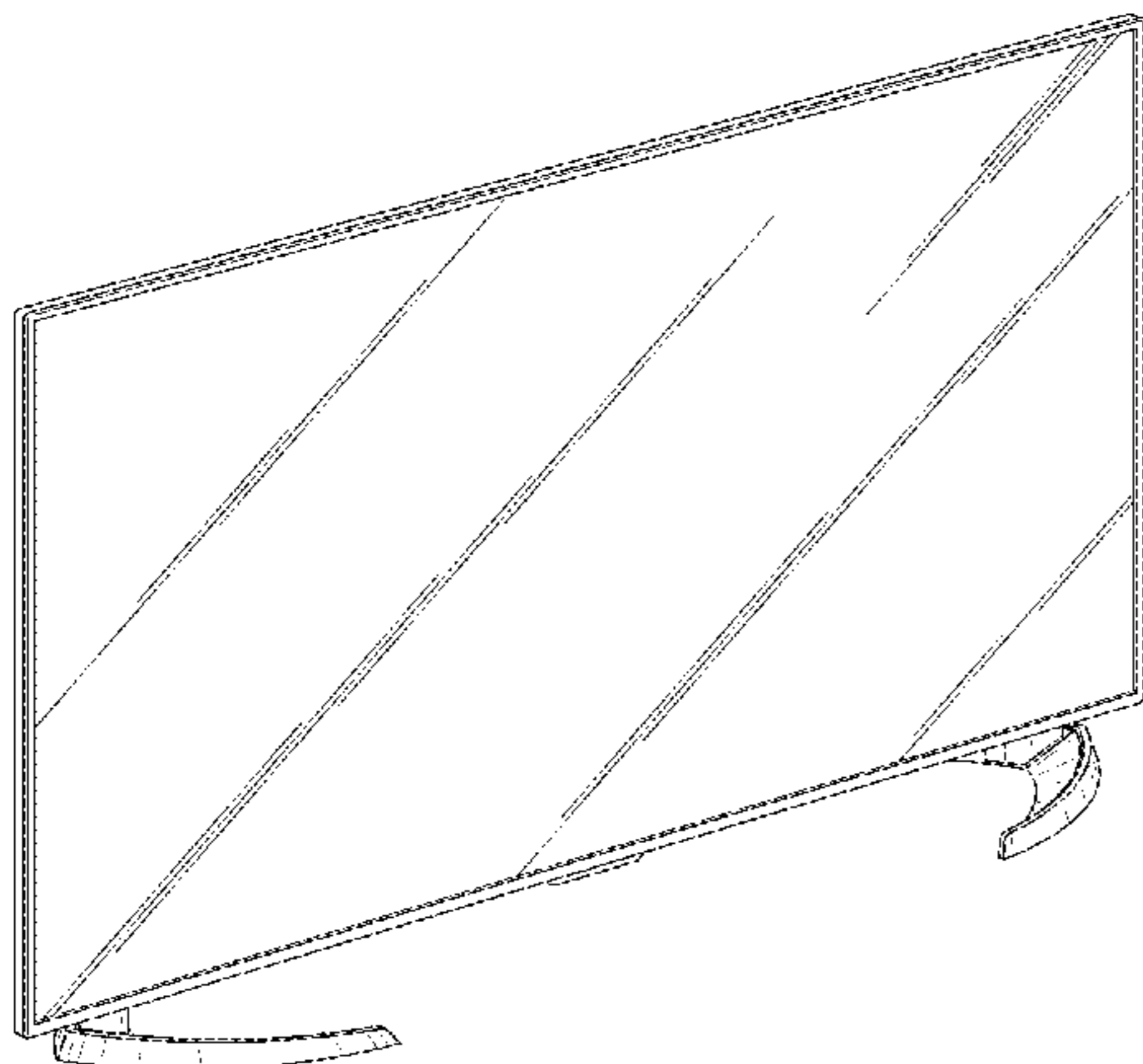
(57) **CLAIM**

The ornamental design for a "television set," as shown and described.

DESCRIPTION

FIG. 1 is a perspective view of a television set in accordance with our new design;
FIG. 2 is a front elevation view thereof;
FIG. 3 is rear elevation view thereof;
FIG. 4 is a top plan view thereof;
FIG. 5 is a bottom plan view thereof;
FIG. 6 is a right-side elevation view thereof; and
FIG. 7 is a left-side elevation view thereof;
FIG. 8 is a right side sectioned view taken along line 8-8 of FIG. 2, omitting internal structure;
FIG. 9 is a right side sectioned view taken along line 9-9 of FIG. 2, omitting internal structure;
FIG. 10 is a right side sectioned view taken along line 10-10 of FIG. 2, omitting internal structure;
FIG. 11 is a top sectioned view taken along line 11-11 of FIG. 2, omitting internal structure; and
FIG. 12 is a bottom sectioned view taken along line 12-12 of FIG. 3, omitting internal structure.
Subject matter shown in dashed lines is for environmental purposes only and forms no part of the claimed invention.

1 Claim, 7 Drawing Sheets



(56)

References Cited

U.S. PATENT DOCUMENTS

D351,155 S 10/1994 Usami et al.
 D351,156 S 10/1994 Usami et al.
 D351,157 S 10/1994 Usami et al.
 D357,244 S 4/1995 Usami et al.
 D357,245 S 4/1995 Usami et al.
 D357,472 S 4/1995 Usami et al.
 D369,596 S 5/1996 Akiyama et al.
 D371,552 S 7/1996 Akiyama et al.
 D372,026 S 7/1996 Akiyama et al.
 D373,583 S 9/1996 Akiyama et al.
 D427,169 S 6/2000 Saeki et al.
 D429,227 S 8/2000 Shimizu
 D431,537 S 10/2000 Saeki et al.
 D438,848 S 3/2001 Kita
 D439,224 S 3/2001 Kita
 D439,225 S 3/2001 Kita
 D453,747 S 2/2002 Kita
 D455,748 S 4/2002 Yamada
 D456,370 S 4/2002 Kita
 D458,910 S 6/2002 Kita
 D492,269 S 6/2004 Kita
 D496,915 S 10/2004 Kita
 D497,351 S 10/2004 Kita
 D497,599 S 10/2004 Kita
 D499,076 S 11/2004 Kita
 D501,186 S 1/2005 Kita
 D501,654 S 2/2005 Kita
 D502,451 S 3/2005 Kita
 D502,931 S 3/2005 Kita
 D505,123 S 5/2005 Kita
 D505,403 S 5/2005 Kita
 D510,731 S 10/2005 Kita
 D512,385 S 12/2005 Kita
 D512,386 S 12/2005 Kita
 D512,387 S 12/2005 Kita
 D536,678 S 2/2007 Kita
 D538,242 S 3/2007 Kita
 D538,762 S 3/2007 Fujii et al.
 D538,763 S 3/2007 Fujii et al.
 D539,766 S 4/2007 Kita
 D540,281 S 4/2007 Kita
 D540,282 S 4/2007 Kita
 D540,284 S 4/2007 Kita
 D540,285 S 4/2007 Kita
 D541,237 S 4/2007 Kita
 D541,240 S 4/2007 Kita
 D541,766 S 5/2007 Kita
 D541,772 S 5/2007 Kita
 D541,774 S 5/2007 Kita
 D541,775 S 5/2007 Kita
 D543,519 S 5/2007 Kita
 D544,850 S 6/2007 Kita
 D545,282 S 6/2007 Kita
 D545,775 S 7/2007 Kita
 D545,779 S 7/2007 Kita

D545,780 S 7/2007 Kita
 D546,301 S 7/2007 Kita
 D546,302 S 7/2007 Kita
 D546,303 S 7/2007 Fujii et al.
 D551,187 S 9/2007 Kita
 D552,050 S 10/2007 Fujii et al.
 D552,569 S 10/2007 Kita
 D552,571 S 10/2007 Fujii et al.
 D554,085 S 10/2007 Kita
 D562,275 S 2/2008 Inuma et al.
 D564,989 S 3/2008 Kita
 D566,067 S 4/2008 Kita
 D567,197 S 4/2008 Kita
 D568,264 S 5/2008 Fujii et al.
 D568,265 S 5/2008 Fujii et al.
 D568,266 S 5/2008 Shimamoto
 D568,844 S 5/2008 Fujii et al.
 D570,311 S 6/2008 Kita
 D570,312 S 6/2008 Kita
 D571,320 S 6/2008 Kita
 D575,248 S 8/2008 Fujii et al.
 D584,255 S 1/2009 Kita
 D584,256 S 1/2009 Kita
 D584,257 S 1/2009 Kita
 D584,702 S 1/2009 Inuma et al.
 D584,705 S 1/2009 Shimamoto
 D585,396 S 1/2009 Kita
 D586,769 S 2/2009 Kita
 D637,168 S 5/2011 Kodera et al.
 D638,388 S 5/2011 Fujii et al.
 D656,472 S 3/2012 Iida et al.
 D657,327 S 4/2012 Iida et al.
 D678,230 S 3/2013 Yamamizu et al.
 D679,671 S 4/2013 Fujii et al.
 D679,672 S 4/2013 Fujii et al.
 D680,087 S 4/2013 Fujii et al.
 D687,000 S 7/2013 Gomi et al.
 D691,573 S 10/2013 Iida et al.
 D691,976 S 10/2013 Hotta et al.
 D694,210 S 11/2013 Fujii et al.
 D719,539 S * 12/2014 Ryu et al. D14/126
 D721,049 S * 1/2015 Lee D14/126
 D731,450 S * 6/2015 Son et al. D14/126
 D733,671 S * 7/2015 Lu et al. D14/126
 D734,284 S * 7/2015 Dai et al. D14/126
 D735,685 S * 8/2015 Kim D14/126
 D737,791 S * 9/2015 Han D14/126

OTHER PUBLICATIONS

Design U.S. Appl. No. 29/472,802, filed Nov. 15, 2013, "Television Set".
 Design U.S. Appl. No. 29/489,624, filed May 1, 2014, "Television Set".
 Design U.S. Appl. No. 29/489,746, filed May 2, 2014, entitled "Television Set".

* cited by examiner

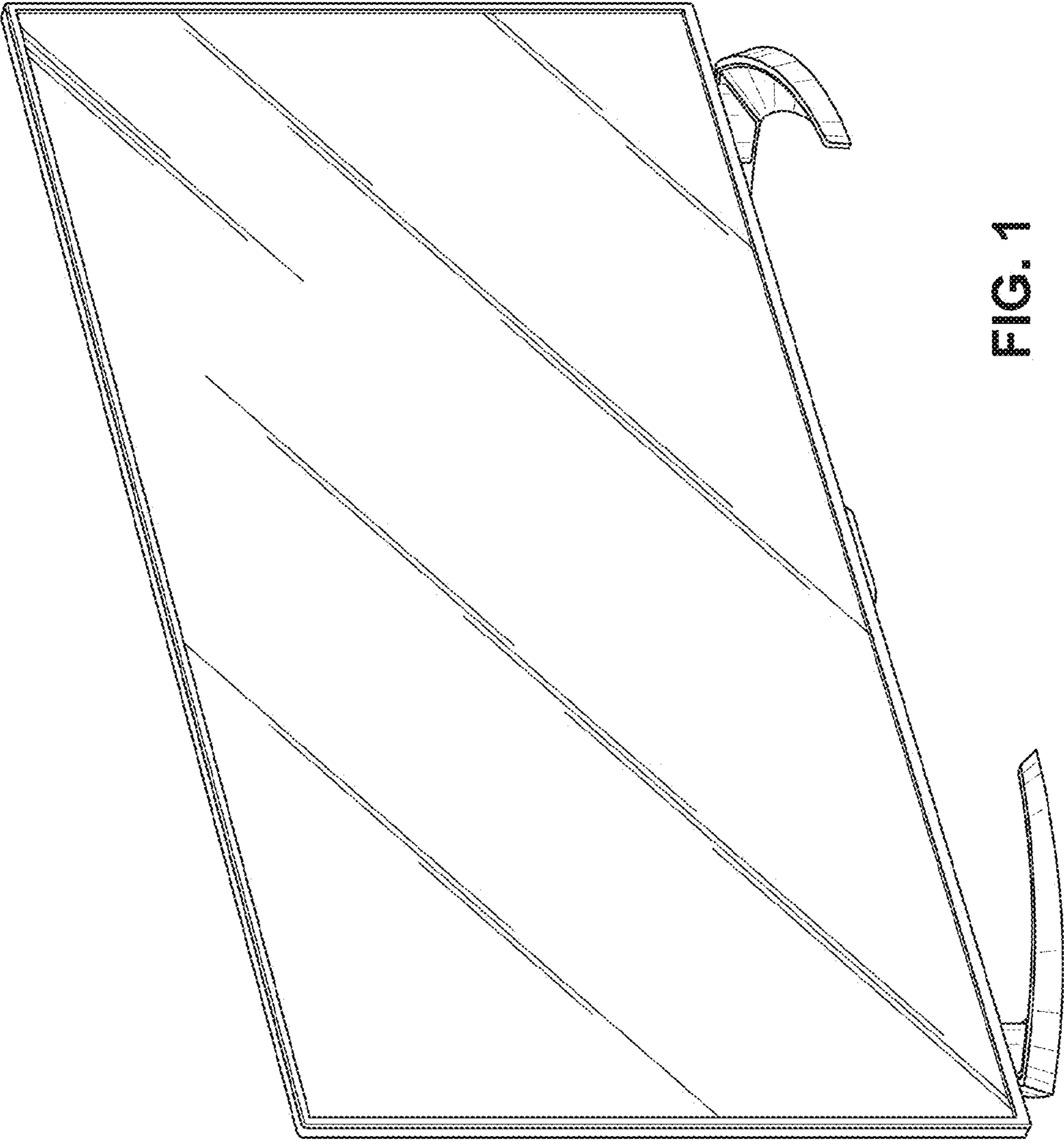
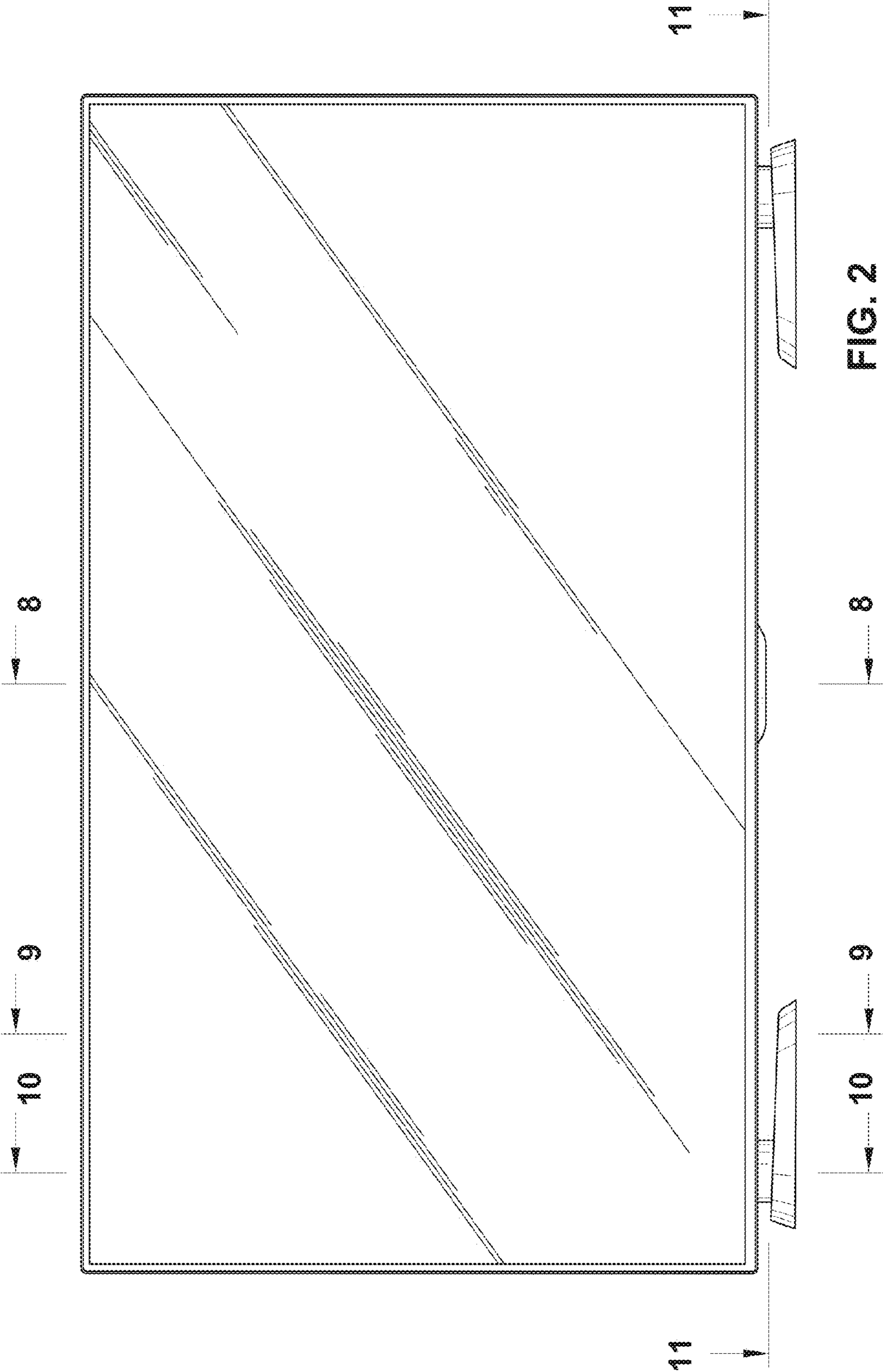


FIG. 1



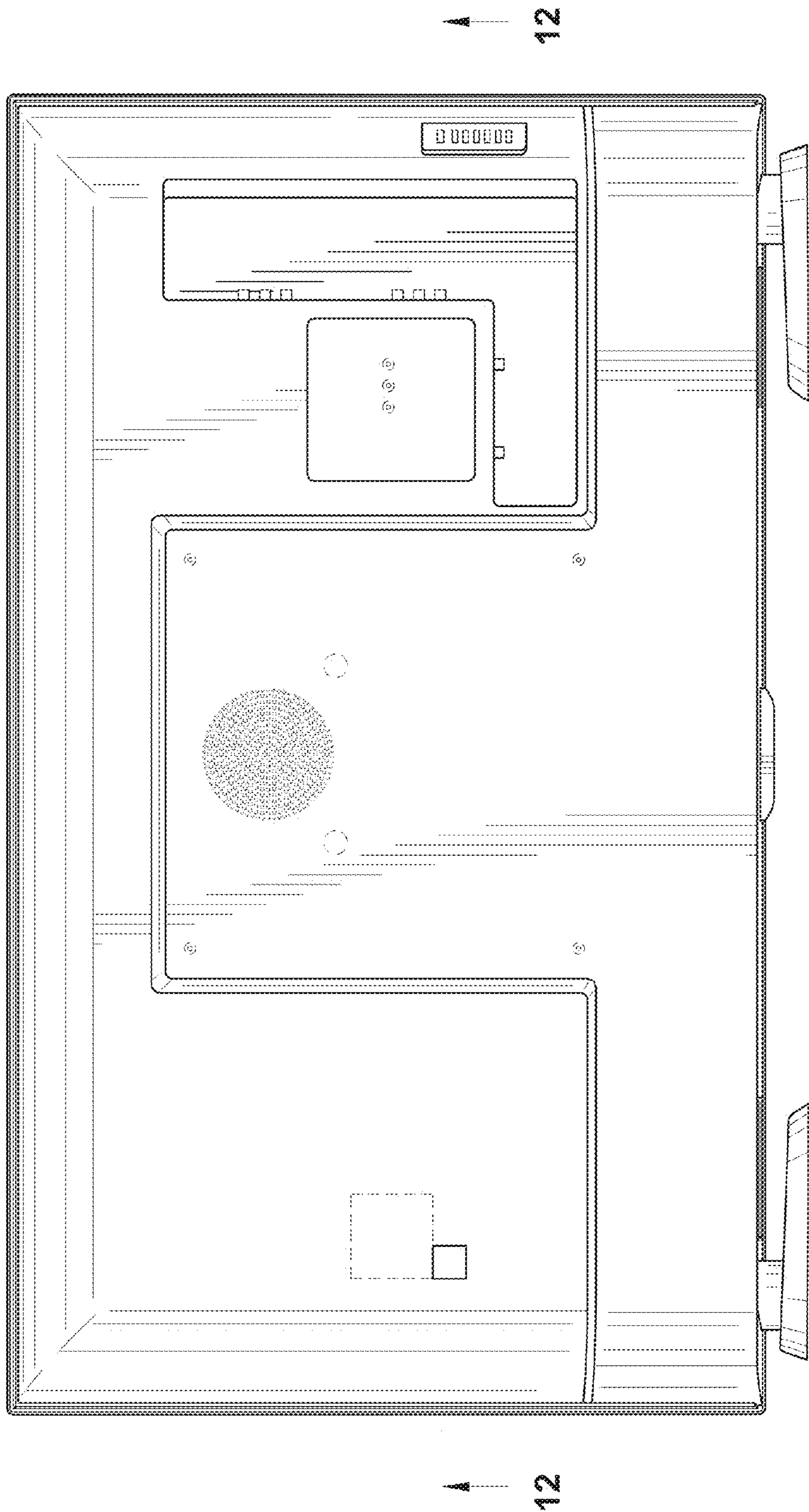


FIG. 3

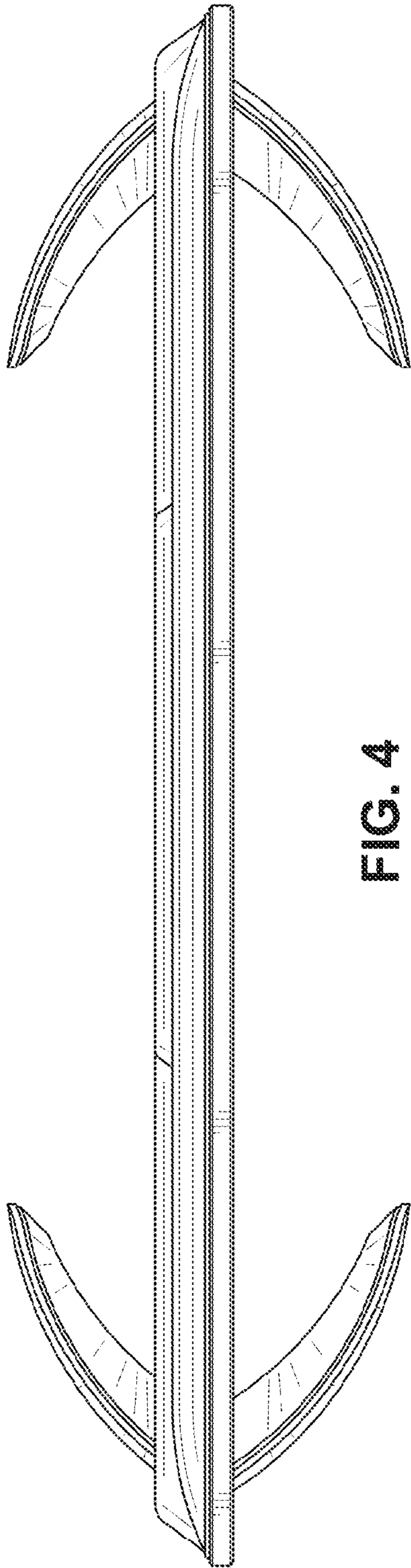


FIG. 4

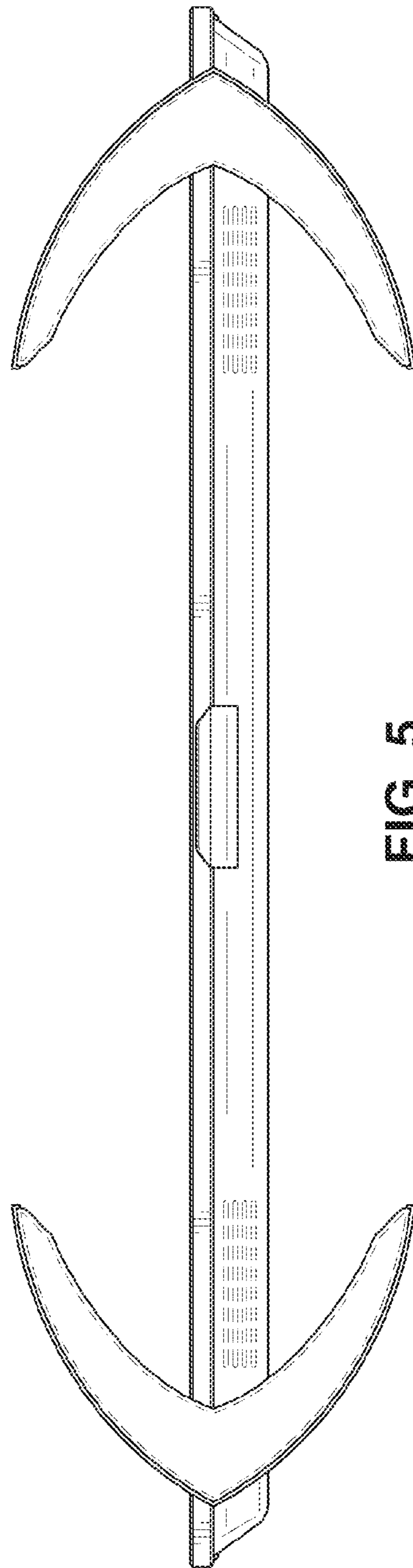


FIG. 5

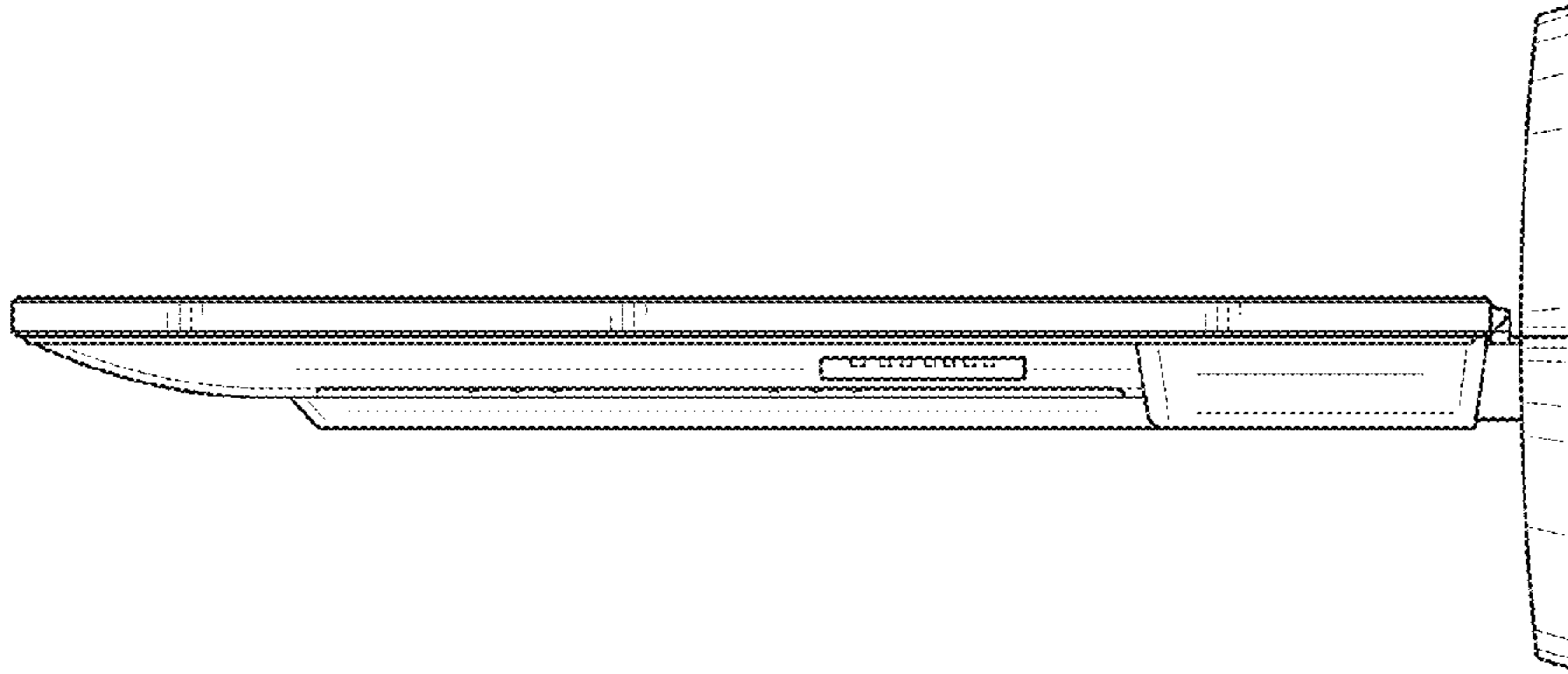


FIG. 7

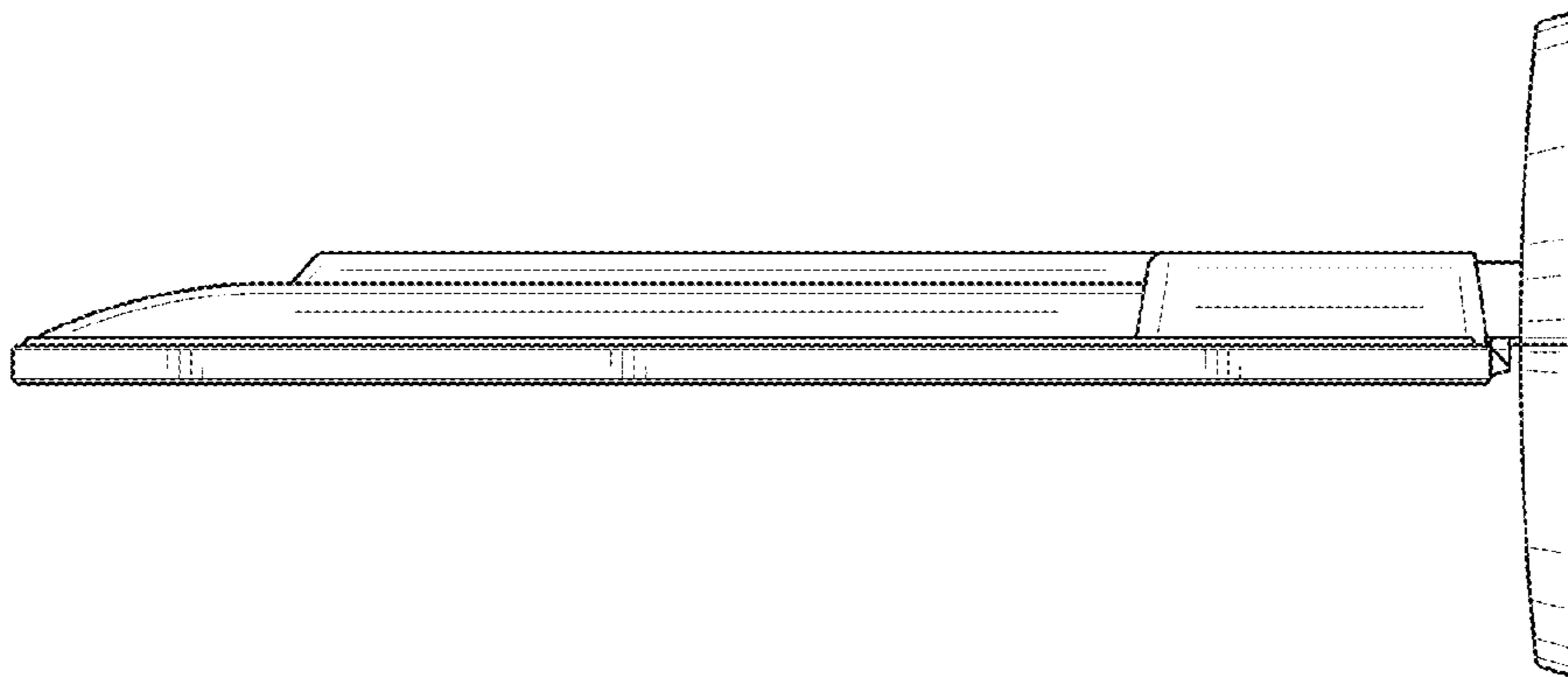


FIG. 6

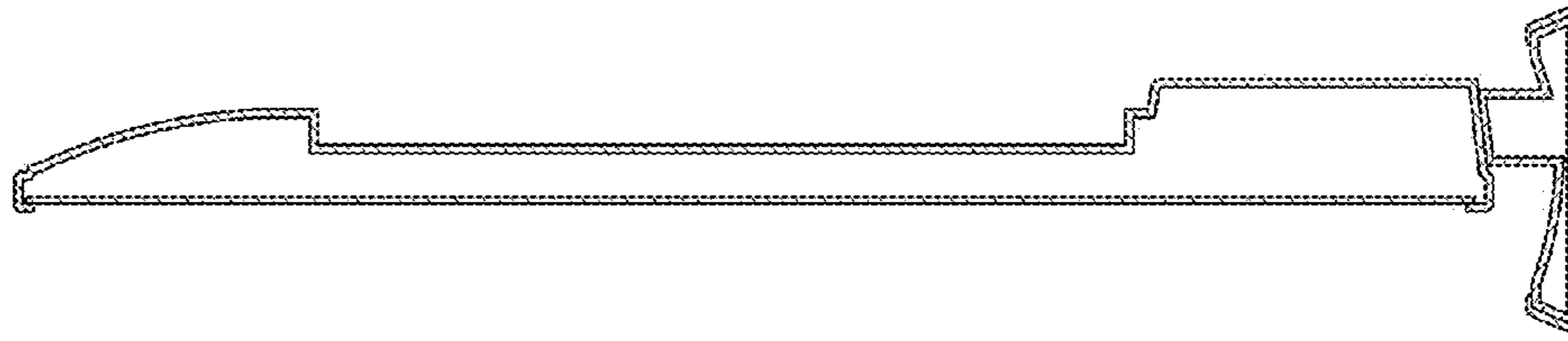


FIG. 10

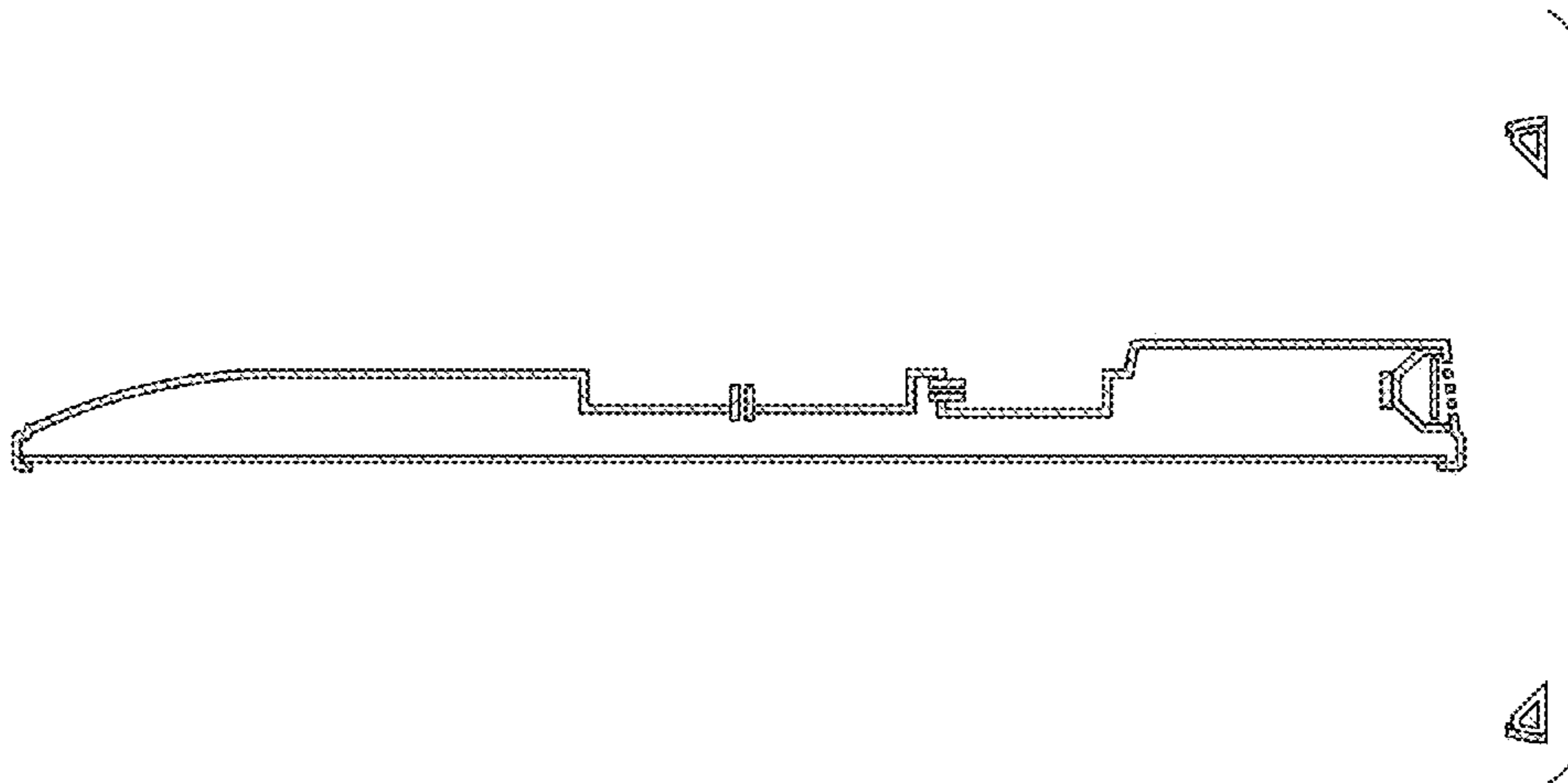


FIG. 9



FIG. 8



FIG. 11

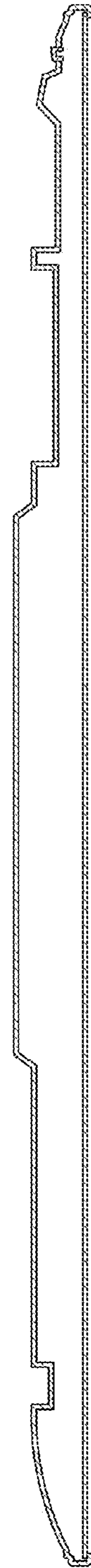


FIG. 12