



US00D753080S

(12) **United States Design Patent**
Dai et al.

(10) **Patent No.:** **US D753,080 S**
(45) **Date of Patent:** **** Apr. 5, 2016**

(54) **TELEVISION**

(71) Applicant: **HON HAI PRECISION INDUSTRY CO., LTD.**, New Taipei (TW)

(72) Inventors: **Wei-Fang Dai**, Shenzhen (CN);
Kuang-Lung Lin, New Taipei (TW);
Ching-Hua Tsai, New Taipei (TW);
Jen-Hui Oh, New Taipei (TW)

(73) Assignee: **HON HAI PRECISION INDUSTRY CO., LTD.**, New Taipei (TW)

(**) Term: **14 Years**

(21) Appl. No.: **29/510,018**

(22) Filed: **Nov. 24, 2014**

(30) **Foreign Application Priority Data**

Sep. 15, 2014 (CN) 2014 3 0340385

(51) **LOC (10) Cl.** **14-03**

(52) **U.S. Cl.**
USPC **D14/126**

(58) **Field of Classification Search**
USPC D14/125-134, 239, 371, 136, 374-377,
D14/440, 450, 448, 336, 342, 159; 312/7.2;
348/836, 838, 180, 184, 325, 739;
248/917-924, 465; 345/104, 133, 156,
345/168, 87, 173; D21/329, 515, 577, 622,
D21/333, 433, 448, 452, 450, 331, 505;
D10/15, 26; 446/484, 175, 356;
D6/477, 479, 300

CPC ... G06F 1/1601; G06F 1/1643; H05K 5/0004;
H05K 5/0017; H05K 5/02; H05K 5/0217

See application file for complete search history.

(56) **References Cited**

U.S. PATENT DOCUMENTS

D700,156 S * 2/2014 Lv et al. D14/126
D725,615 S * 3/2015 Go et al. D14/126
D733,083 S * 6/2015 Hwangbo et al. D14/126
D741,275 S * 10/2015 Huh et al. D14/126

* cited by examiner

Primary Examiner — Raphael Barkai

(74) *Attorney, Agent, or Firm* — Novak Druce Connolly
Bove + Quigg LLP

(57) **CLAIM**

The design for a television, as shown and described.

DESCRIPTION

FIG. 1 is a perspective view of a first state of the television;
FIG. 2 is a front elevational view of the first state of the
television;

FIG. 3 is a rear elevational view of the first state thereof;
FIG. 4 is a left side elevational view of the first state thereof;
FIG. 5 is a right side elevational view of the first state thereof;
FIG. 6 is a top plan view of the first state thereof;
FIG. 7 is a bottom plan view of the first state thereof;

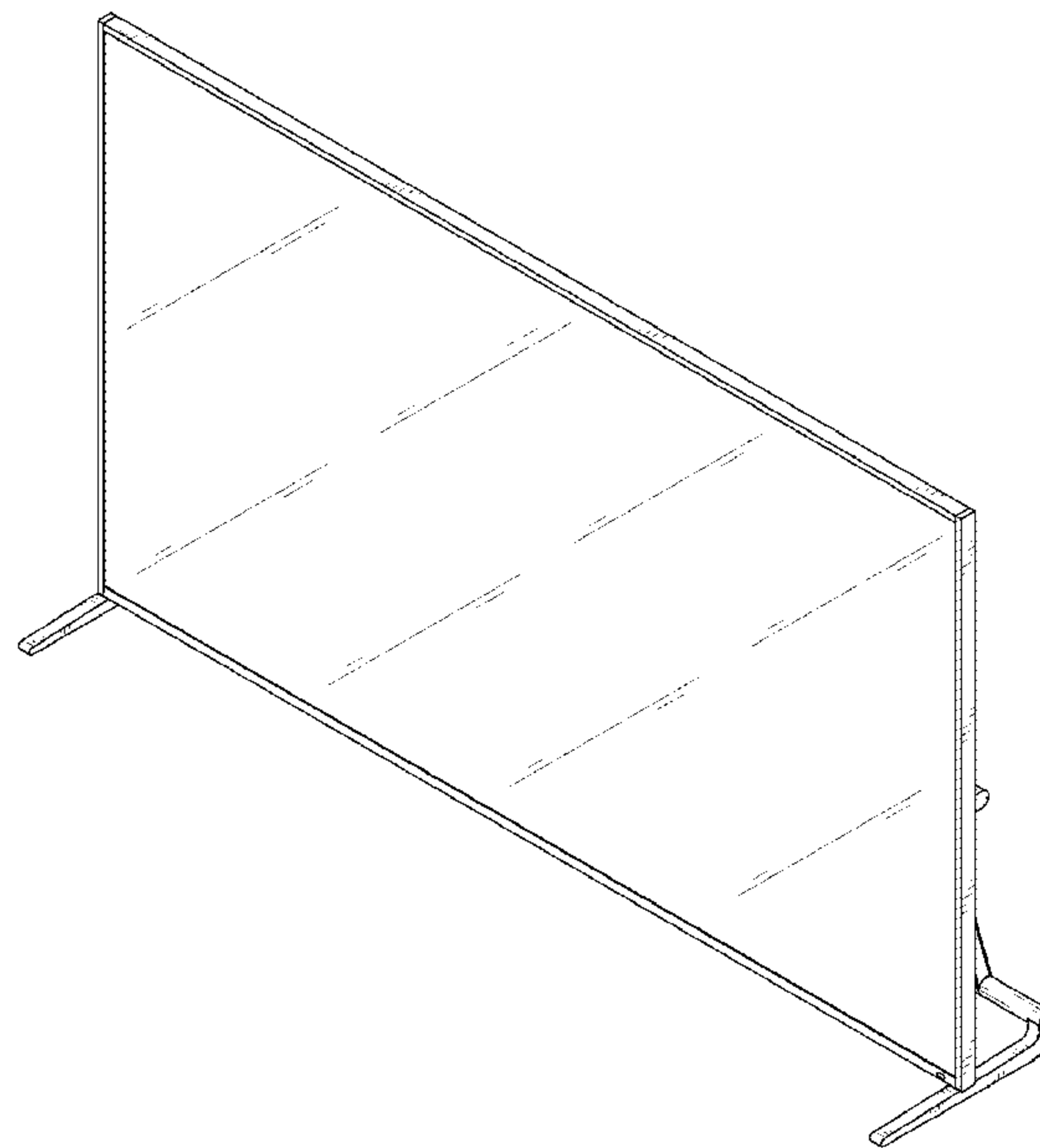
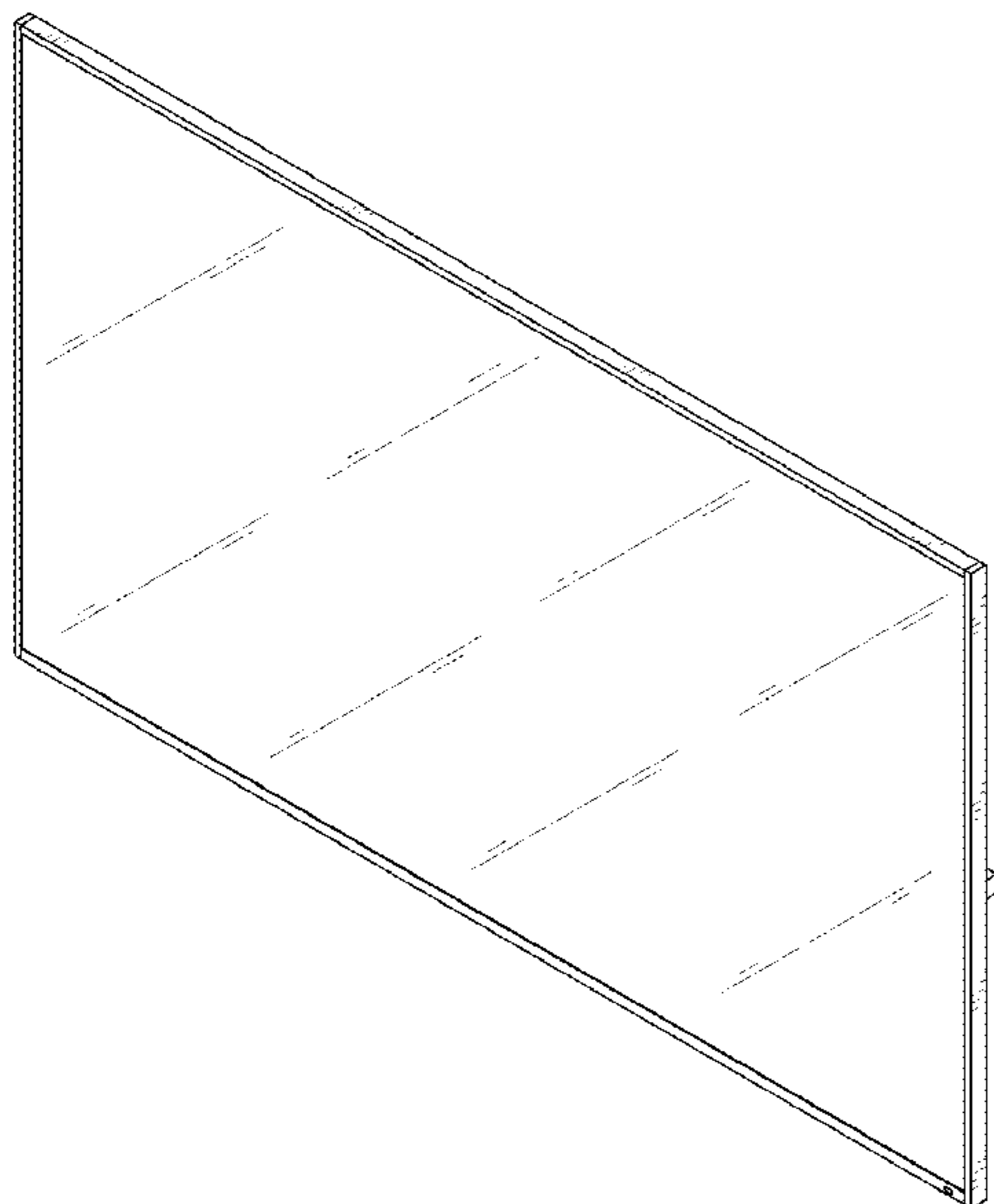
FIG. 8 is a perspective view of a second state of the television;
FIG. 9 is a front elevational view of the second state of the
television;

FIG. 10 is a rear elevational view of the second state thereof;
FIG. 11 is a left side elevational view of the second state
thereof;

FIG. 12 is a right side elevational view of the second state
thereof;

FIG. 13 is a top plan view of the second state thereof; and,
FIG. 14 is a bottom plan view of the second state thereof.

1 Claim, 14 Drawing Sheets



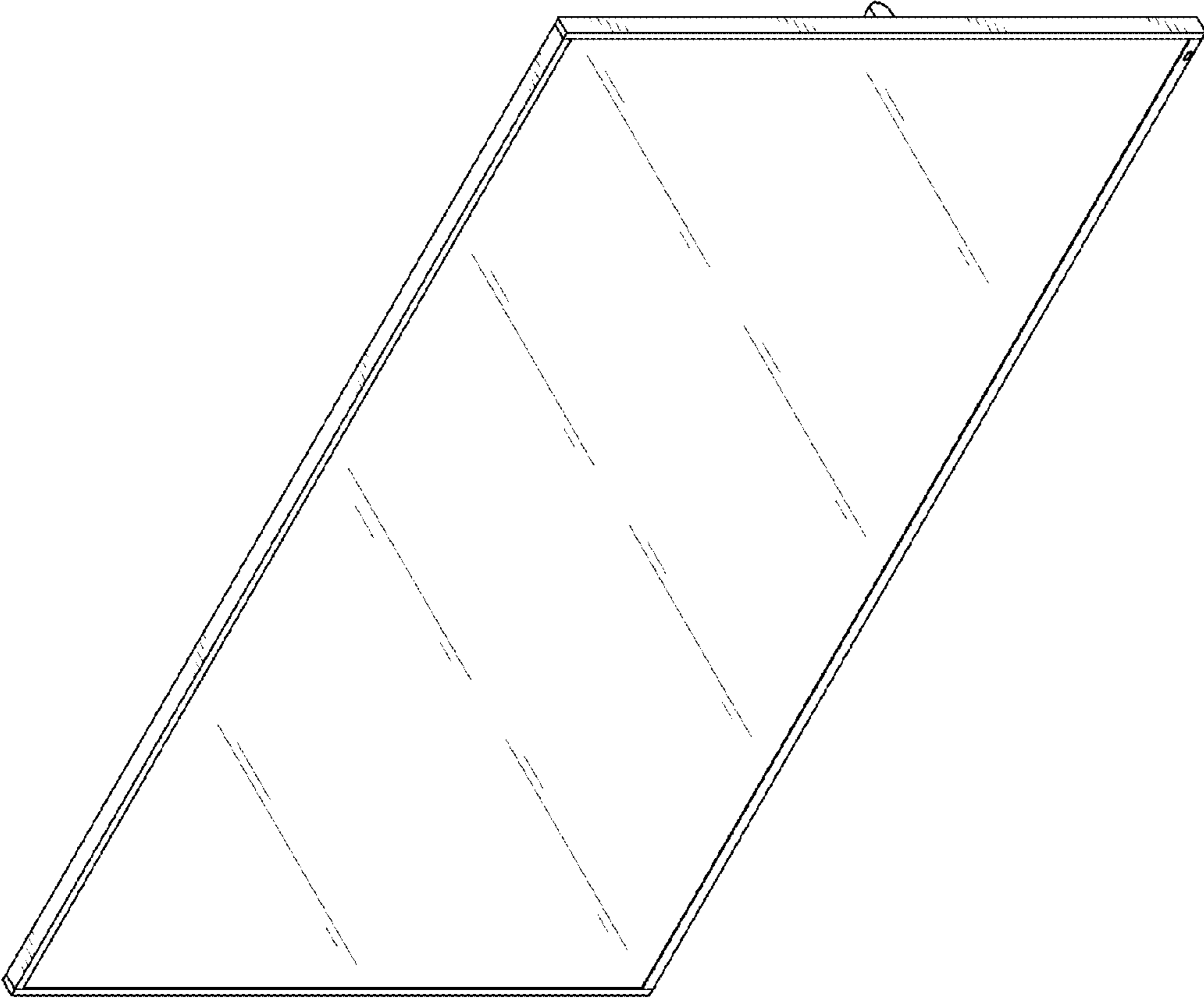


FIG. 1

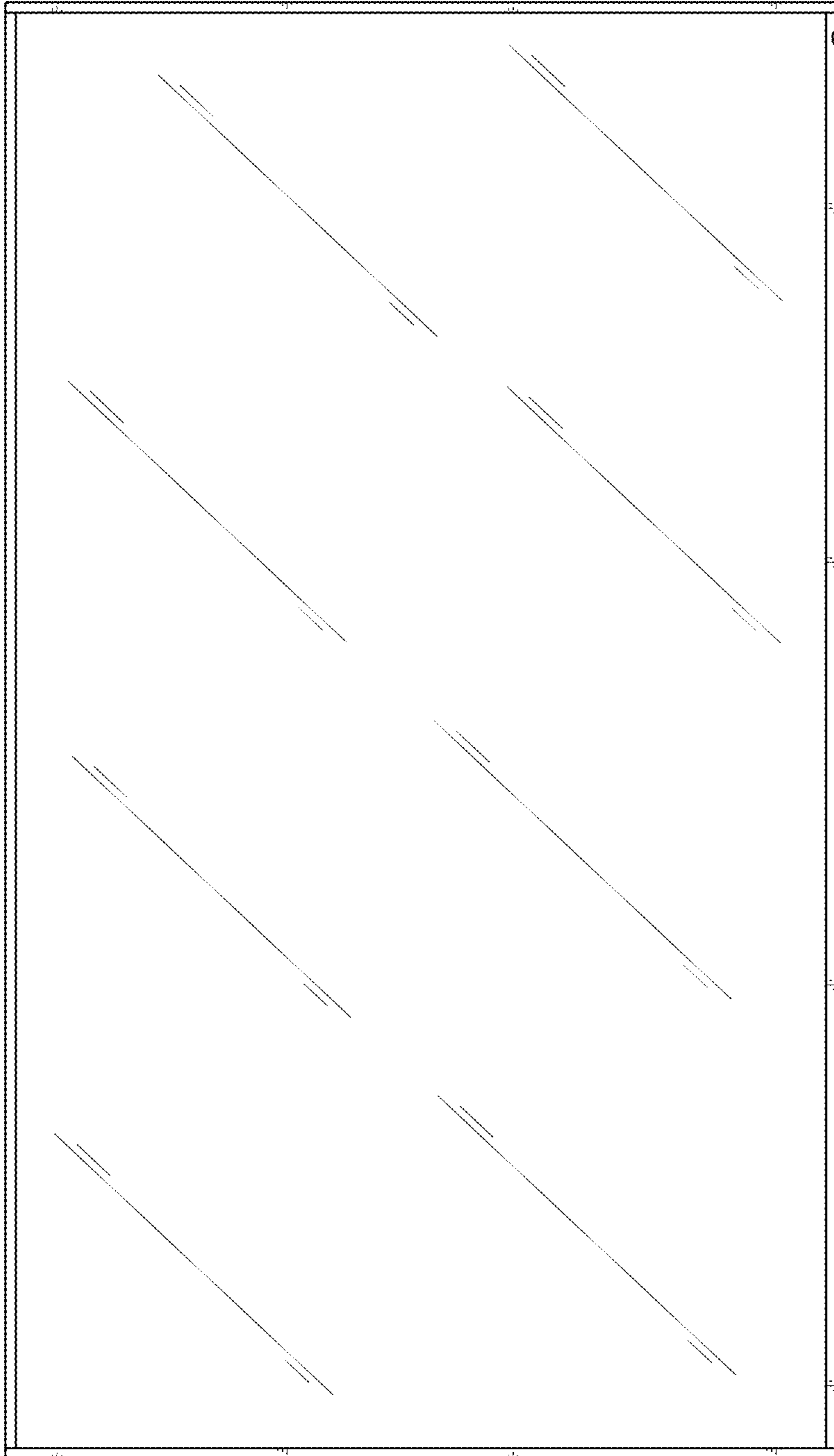


FIG. 2

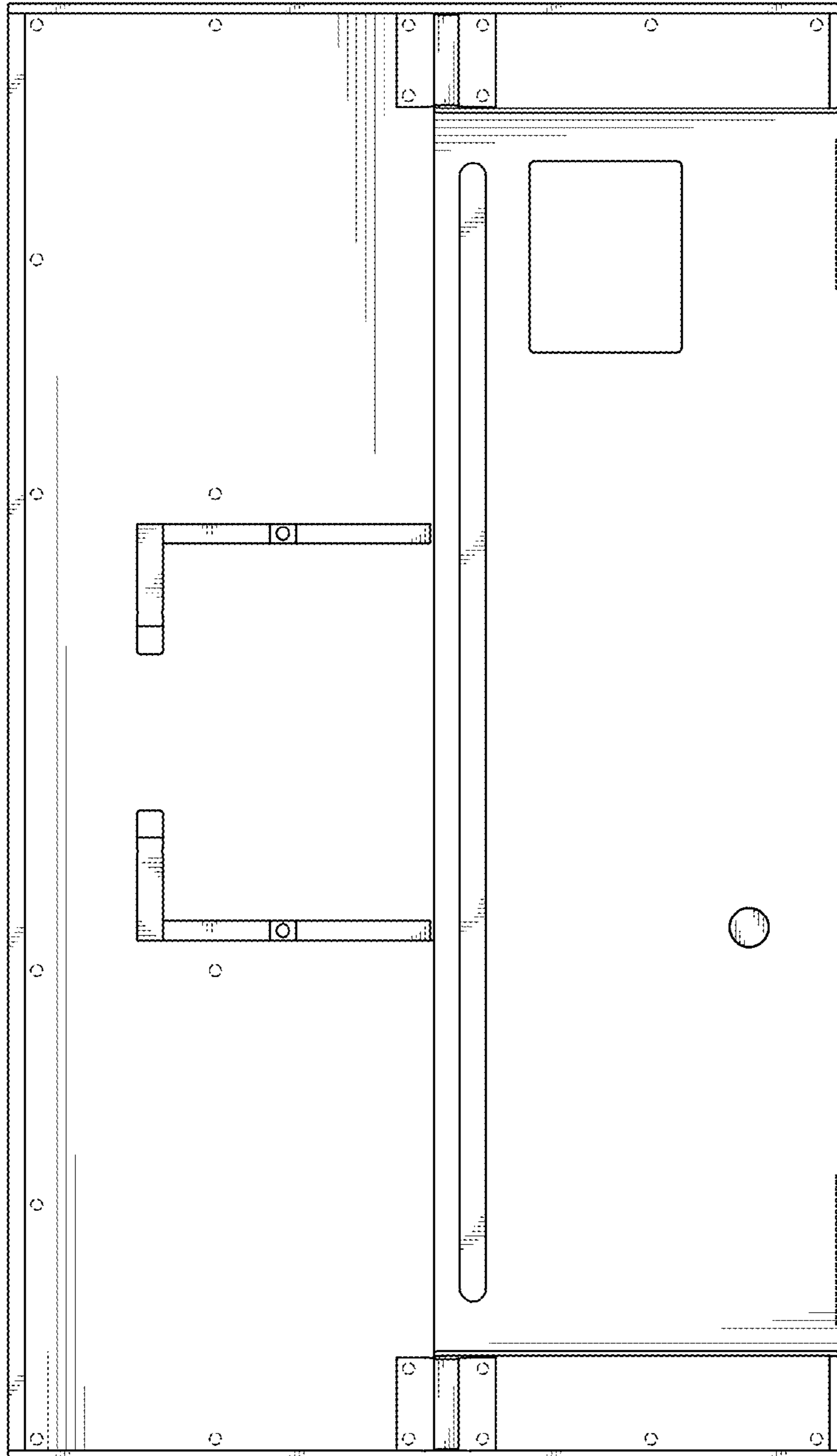


FIG. 3

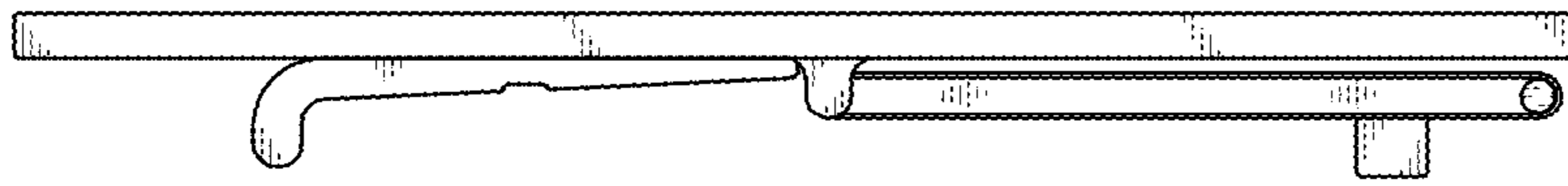


FIG. 4

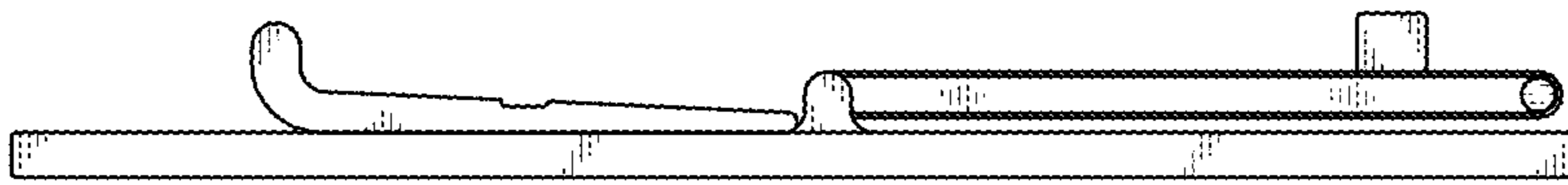


FIG. 5

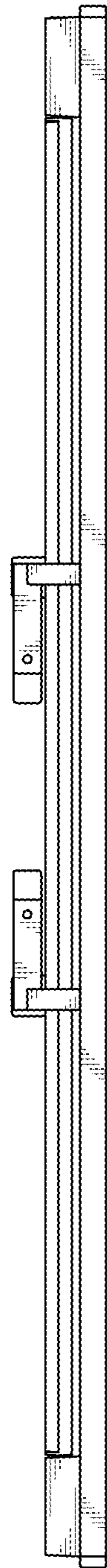


FIG. 6

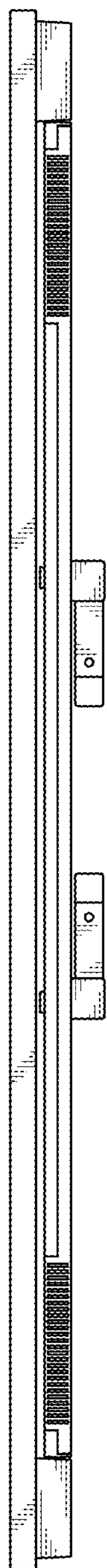


FIG. 7

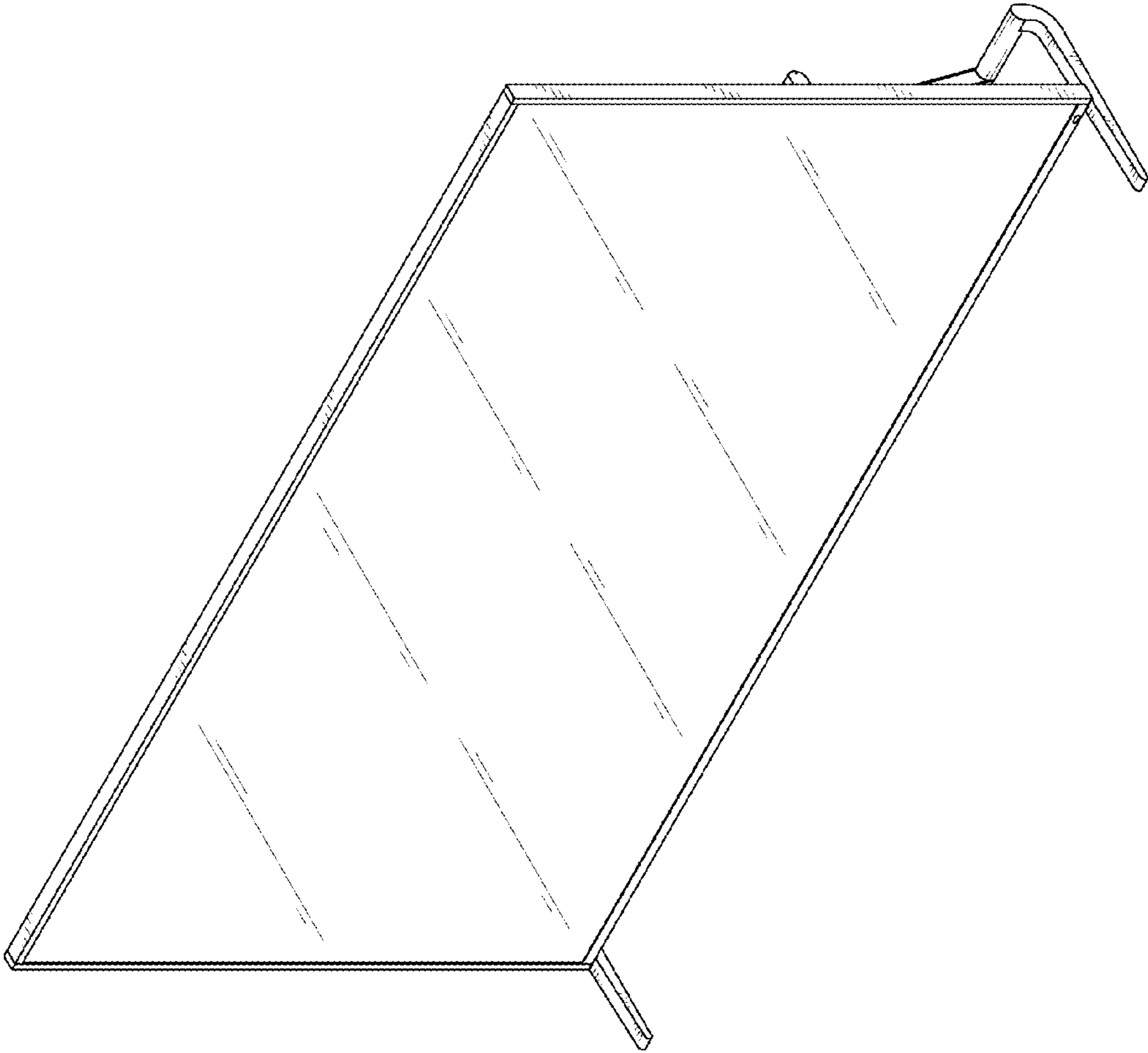


FIG. 8

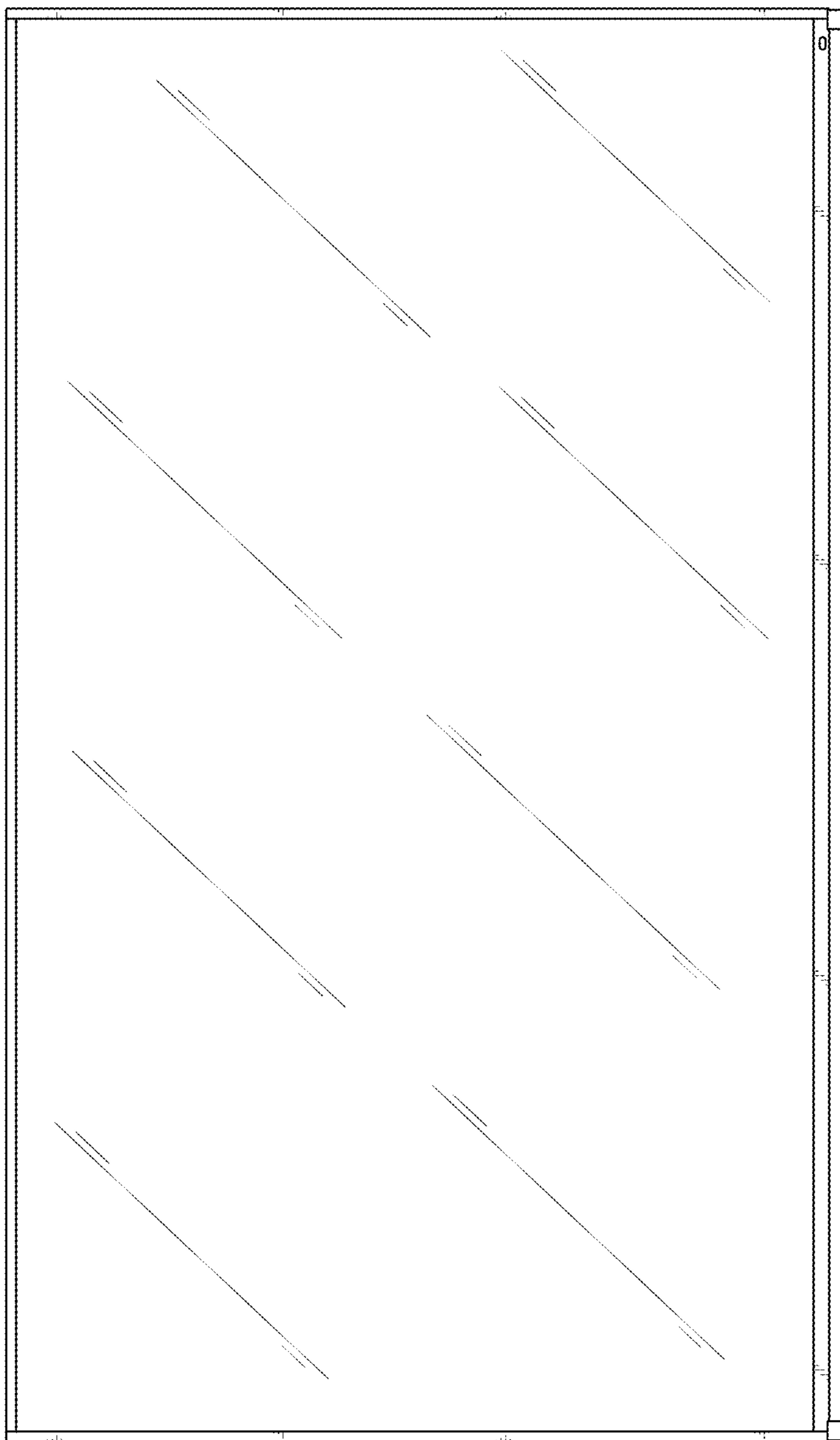


FIG. 9

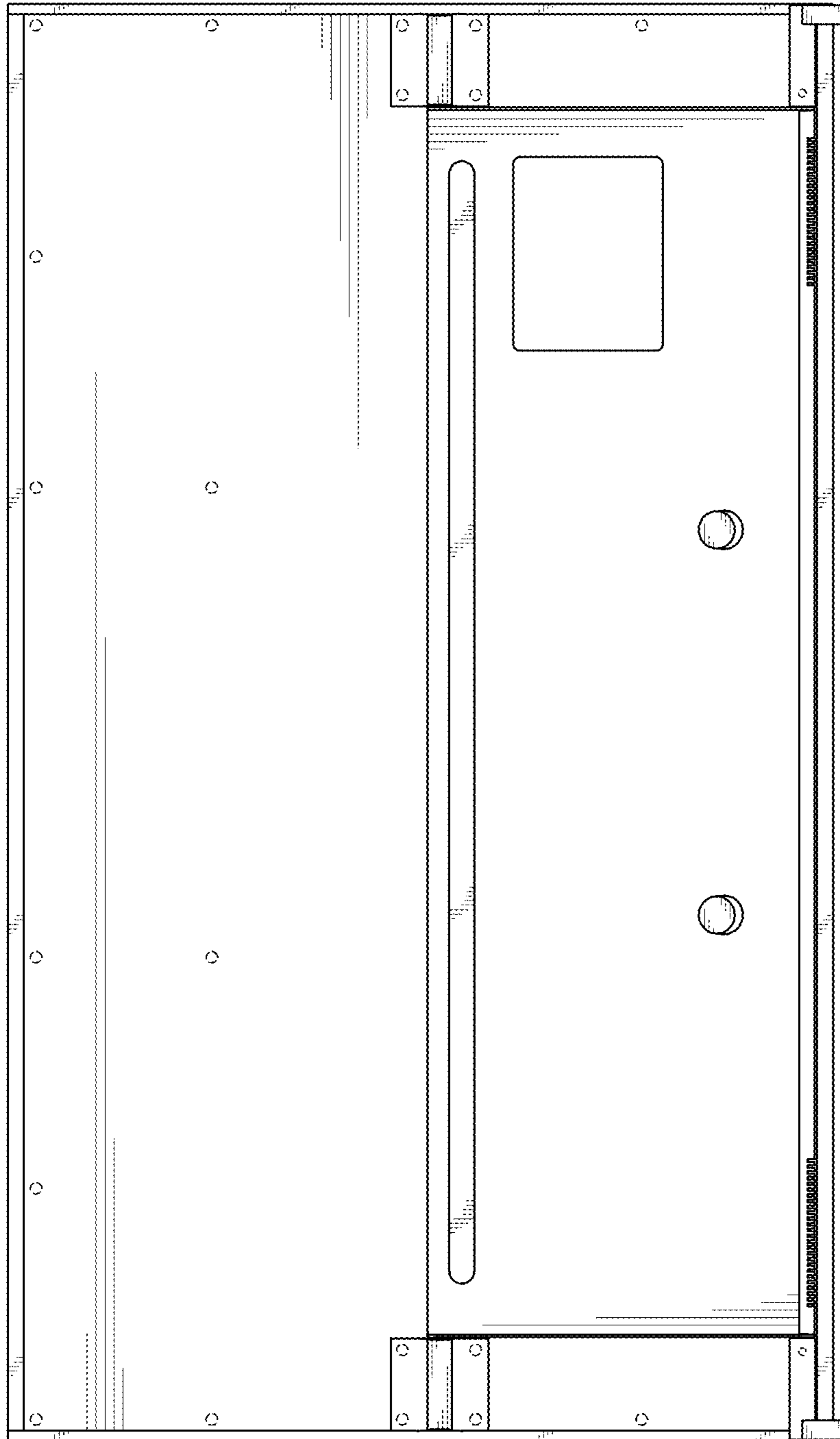


FIG. 10

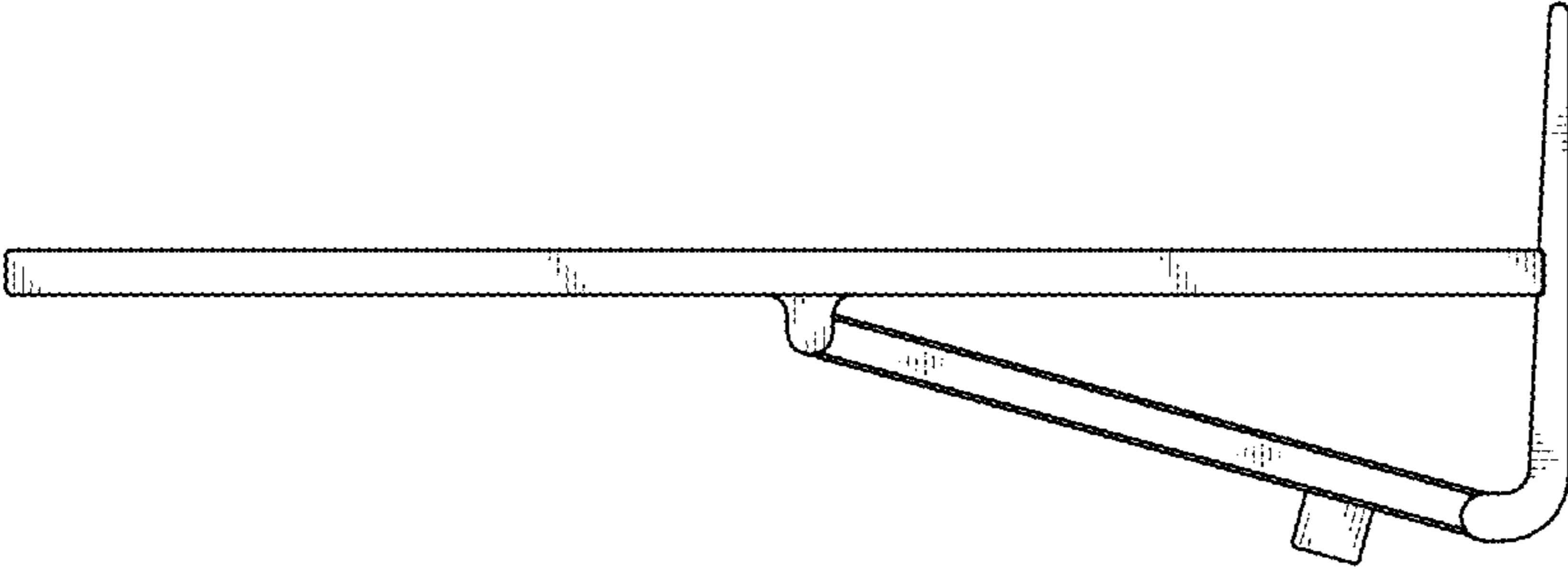


FIG. 11

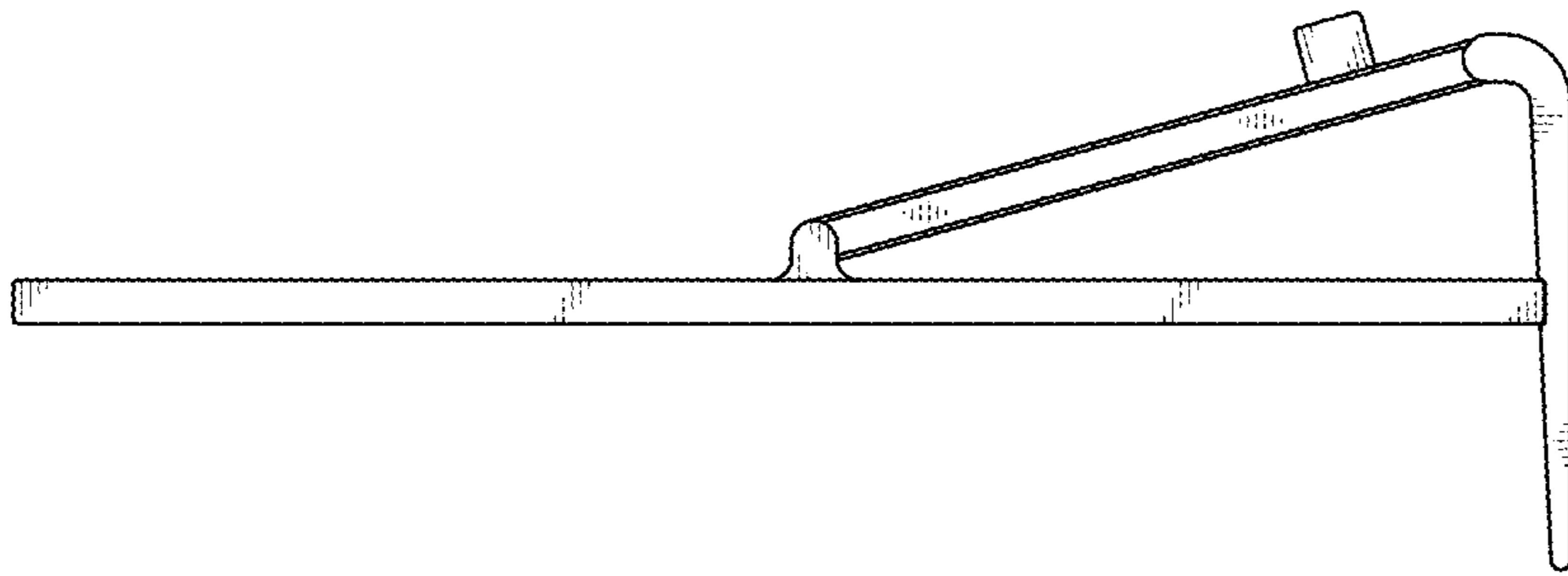


FIG. 12

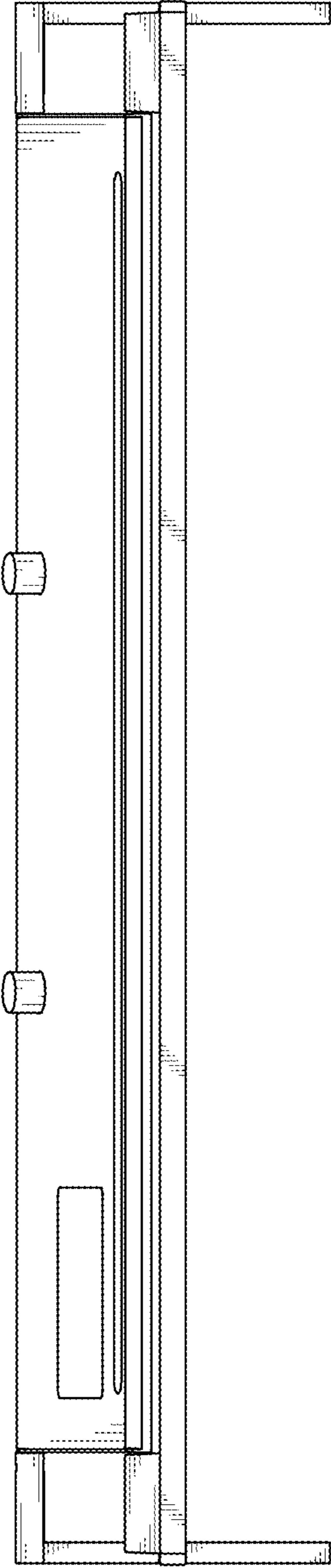


FIG. 13

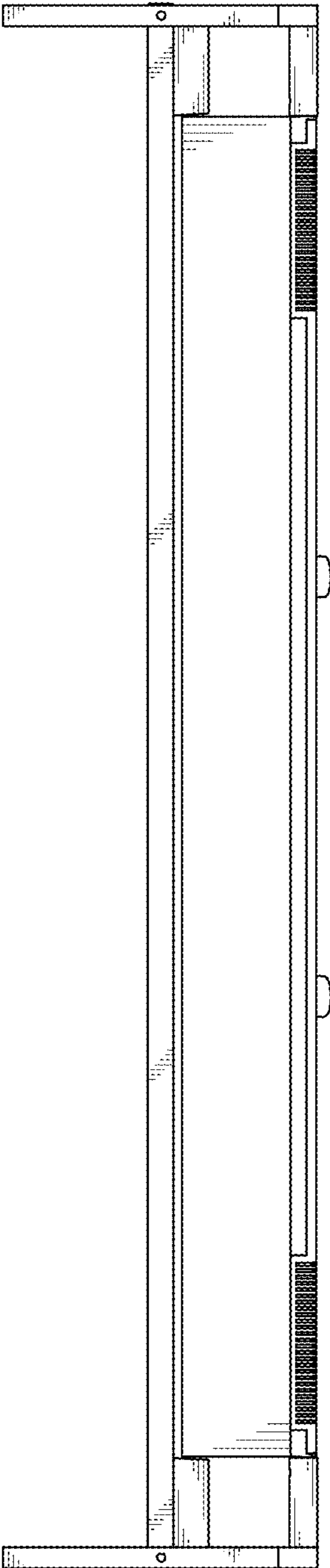


FIG. 14