



US00D753070S

(12) **United States Design Patent**
Tsugawa et al.

(10) **Patent No.:** **US D753,070 S**
(45) **Date of Patent:** **** Apr. 5, 2016**

(54) **PUSH BUTTON SWITCH**

- (71) Applicant: **OMRON Corporation**, Kyoto-shi, Kyoto (JP)
- (72) Inventors: **Hiroshi Tsugawa**, Kyoto (JP); **Hiroyuki Moriyama**, Kyoto (JP); **Masaki Sugihara**, Kyoto (JP)
- (73) Assignee: **OMRON Corporation**, Kyoto (JP)
- (**) Term: **14 Years**
- (21) Appl. No.: **29/516,286**
- (22) Filed: **Jan. 30, 2015**

Related U.S. Application Data

- (62) Division of application No. 29/427,950, filed on Jul. 24, 2012, now Pat. No. Des. 725,050.

Foreign Application Priority Data

- Feb. 3, 2012 (JP) 2012-2168
- Feb. 3, 2012 (JP) 2012-2169
- Feb. 3, 2012 (JP) 2012-2170
- Feb. 3, 2012 (JP) 2012-2171

- (51) **LOC (10) Cl.** **13-03**
- (52) **U.S. Cl.**
USPC **D13/173**

- (58) **Field of Classification Search**
USPC D13/158, 171, 173, 174, 175
CPC H01H 3/022; H01H 3/12; H01H 3/122;
H01H 9/0235; H01H 9/181; H01H 13/02;
H01H 13/023; H01H 13/04; H01H 13/063;
H01H 13/14; H01H 13/83; H01H 13/86;
H01H 21/24; H01H 25/065
See application file for complete search history.

(56) **References Cited**

U.S. PATENT DOCUMENTS

4,419,555 A	12/1983	Kim
4,496,813 A	1/1985	Fukushima
4,585,914 A	4/1986	Ohashi et al.
4,673,780 A	6/1987	Kenway
4,897,516 A	1/1990	Wakatsuki
4,908,485 A	3/1990	Honda et al.
D344,930 S	3/1994	Schaeffer
5,382,767 A	1/1995	Takano et al.
D377,337 S	1/1997	Schaeffer
1,343,299 A	10/2000	Decosse
6,417,469 B1	7/2002	Tamura

(Continued)

Primary Examiner — Selina Sikder

(74) *Attorney, Agent, or Firm* — Harness, Dickey & Pierce, P.L.C.

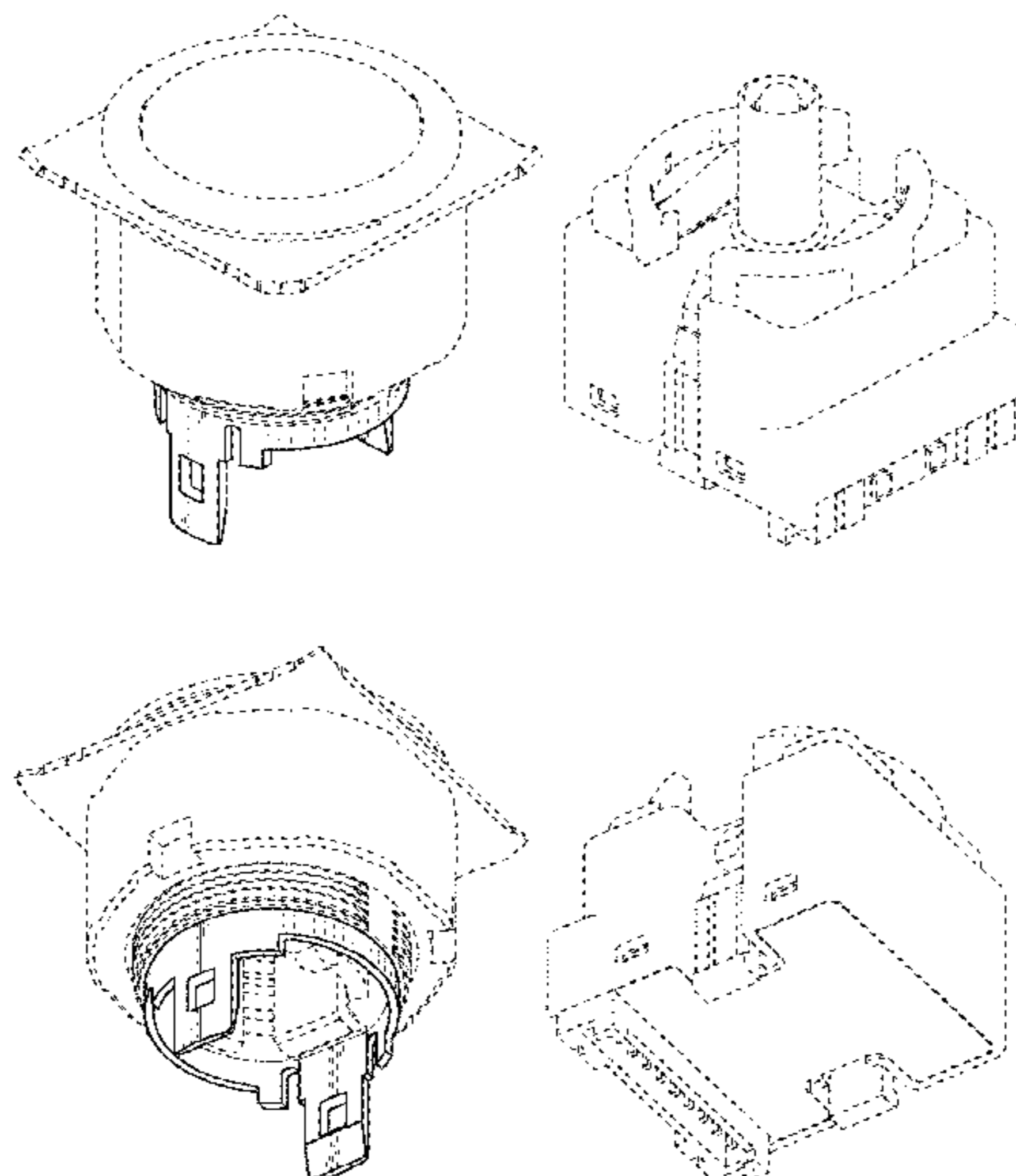
(57) **CLAIM**

The ornamental design for a push button switch, as shown and described.

DESCRIPTION

FIG. 1 is a front elevational view of a push button switch showing a third embodiment of our new design;
 FIG. 2 is a rear elevational view thereof;
 FIG. 3 is a left side view thereof;
 FIG. 4 is a right side view thereof;
 FIG. 5 is a top plan view thereof;
 FIG. 6 is a bottom plan view thereof;
 FIG. 7 is a top, front and right side perspective view thereof, shown in separated condition;
 FIG. 8 is a bottom, rear and left side perspective view thereof, shown in separated condition;
 FIG. 9 is a front elevational view of an actuating part;
 FIG. 10 is a rear elevational view thereof;
 FIG. 11 is a left side view thereof;
 FIG. 12 is a right side view thereof; and,
 FIG. 13 is a bottom plan view thereof.
 The broken lines depict environmental subject matter only and form no part of the claimed design.

1 Claim, 6 Drawing Sheets



(56)

References Cited

U.S. PATENT DOCUMENTS

6,590,176	B2	7/2003	Cole et al.	D601,100	S	9/2009	Wahrenberg	
6,667,451	B1	12/2003	Hart	D611,916	S	3/2010	Wu et al.	
D496,336	S	9/2004	Wang	D645,005	S	9/2011	Menheere	
7,132,615	B1	11/2006	Greer	8,188,398	B2	5/2012	Chu	
7,232,965	B2	6/2007	Gibbons et al.	8,624,141	B2	1/2014	Schechtel et al.	
7,342,194	B2	3/2008	Karweik et al.	8,772,658	B2	7/2014	Chu	
7,507,924	B2	3/2009	Lorenzo Riera et al.	D725,050	S *	3/2015	Tsugawa et al.	D13/171
7,554,047	B2	6/2009	Verdu et al.	D739,362	S *	9/2015	Muramoto	D13/173
				2002/0125119	A1	9/2002	Cole et al.	
				2011/0168536	A1	7/2011	Chauvet et al.	
				2013/0199907	A1	8/2013	Sugihara et al.	

* cited by examiner

Fig. 1

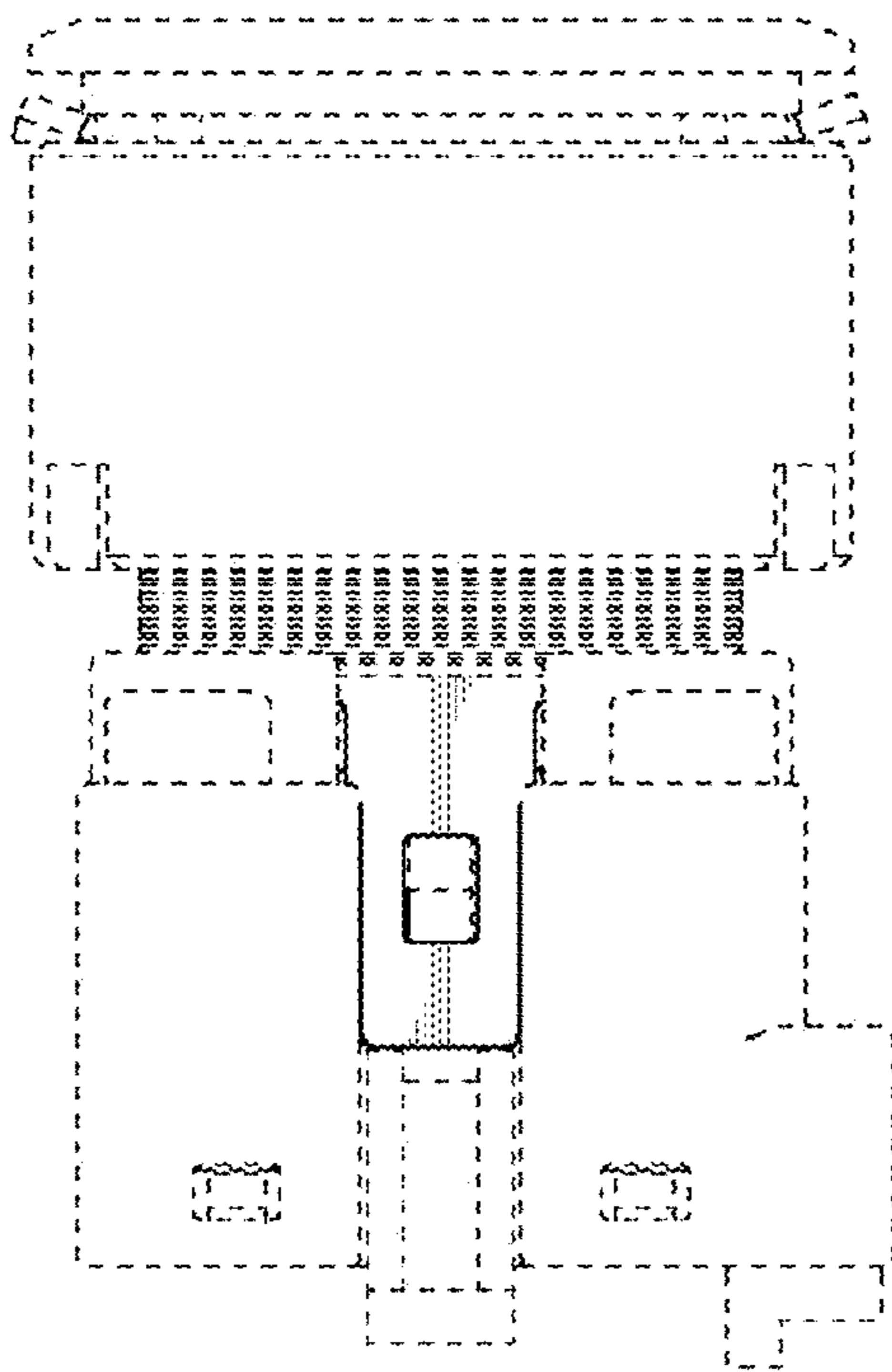


Fig. 2

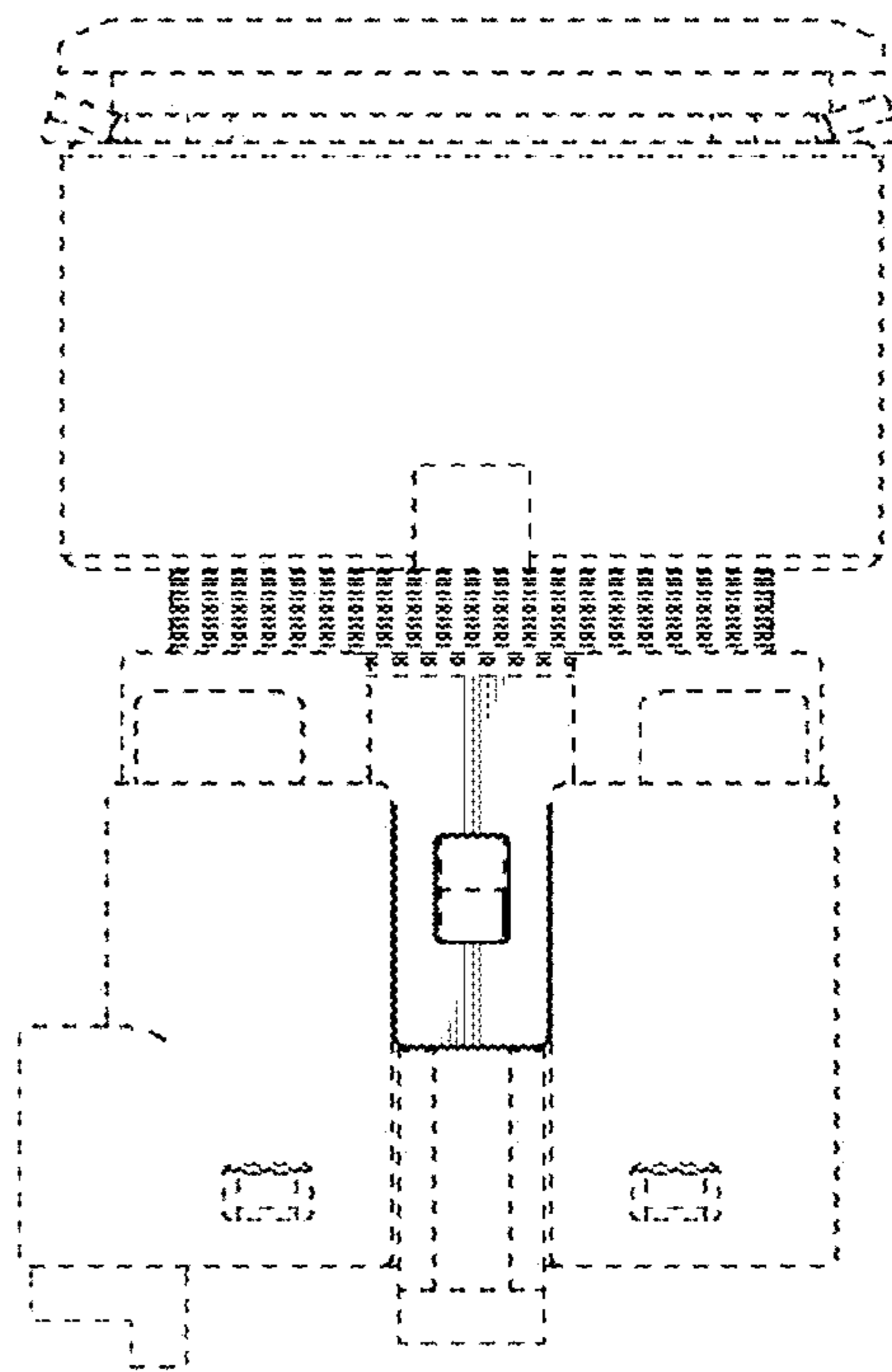


Fig. 3

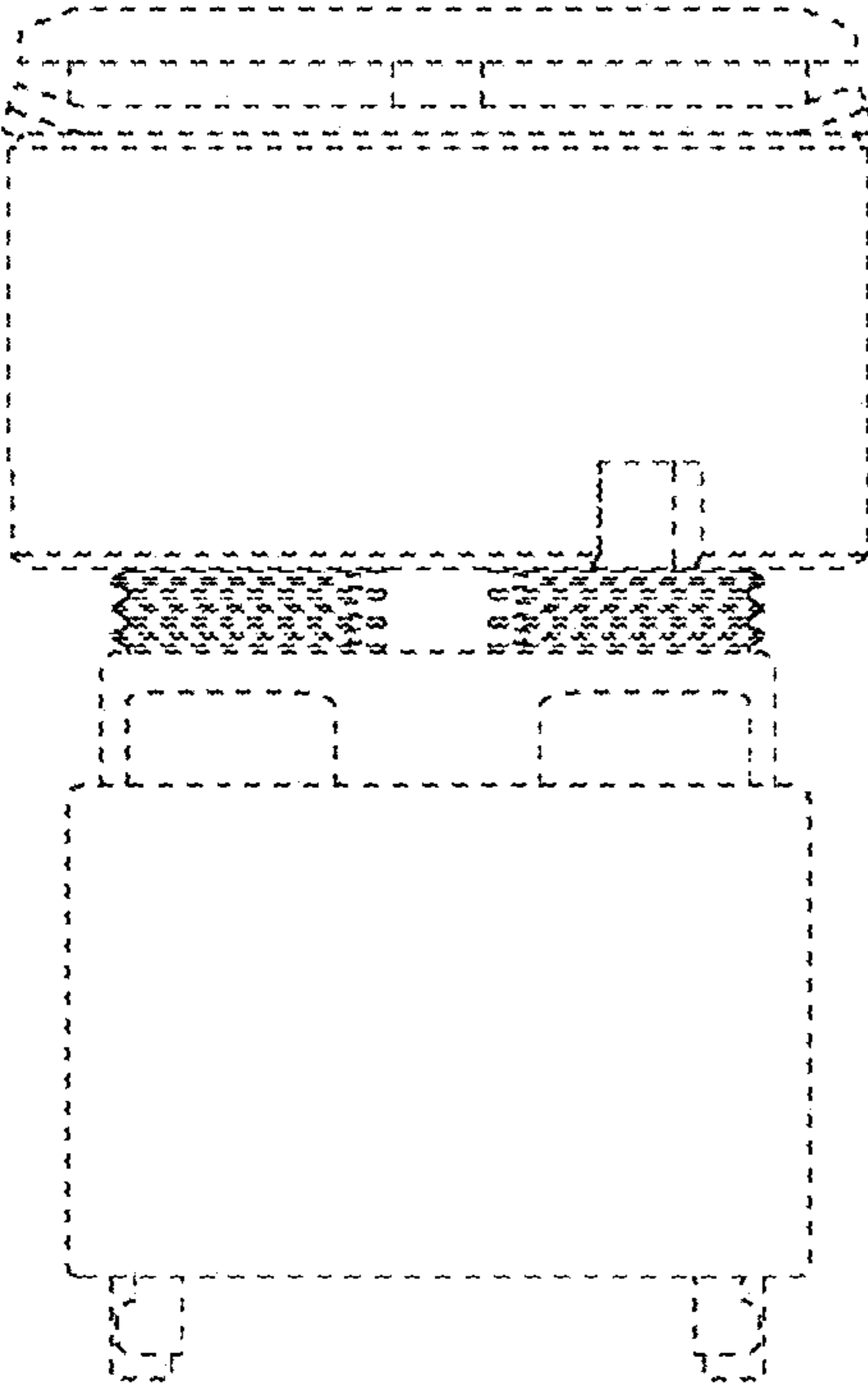


Fig. 4

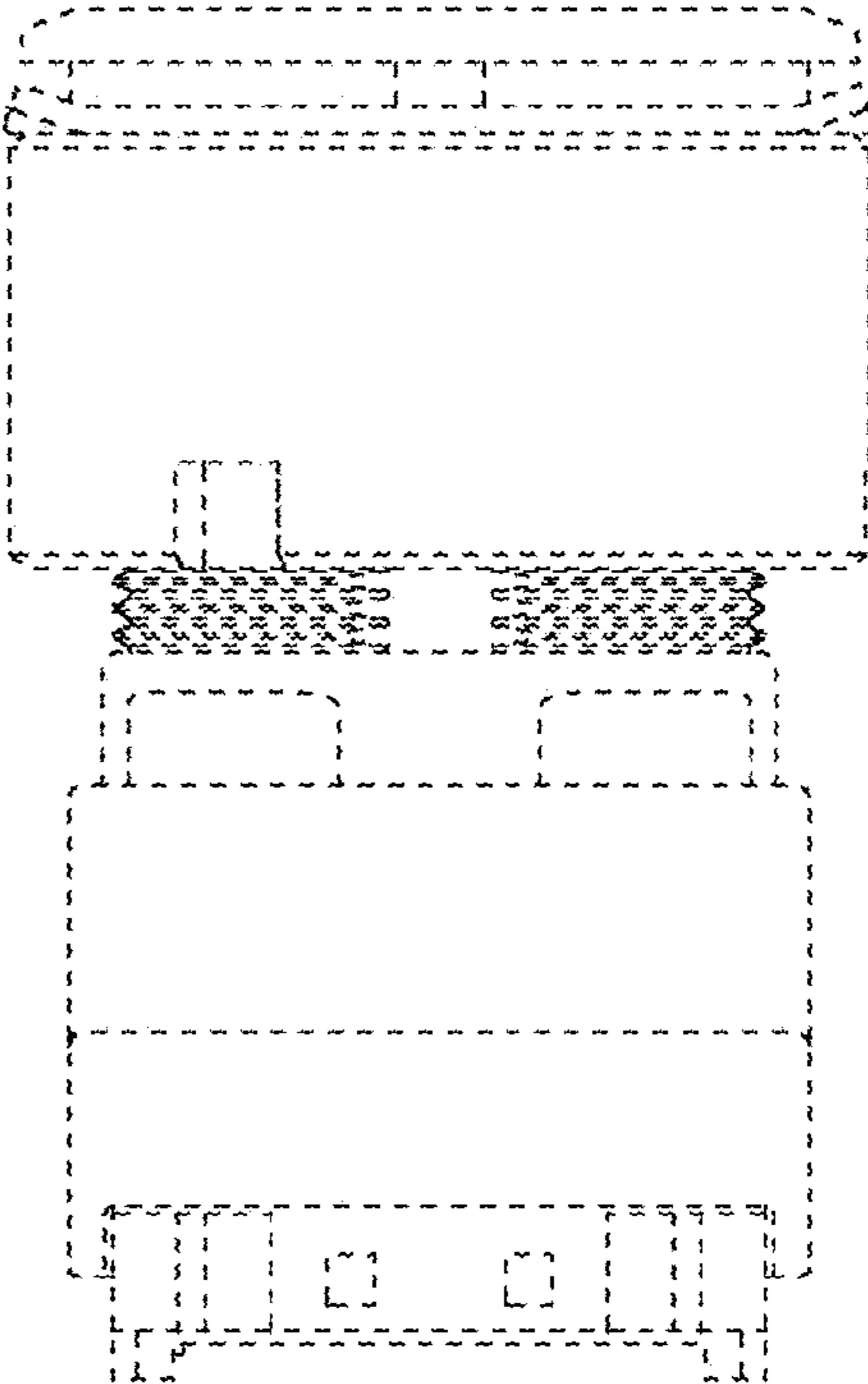


Fig. 5

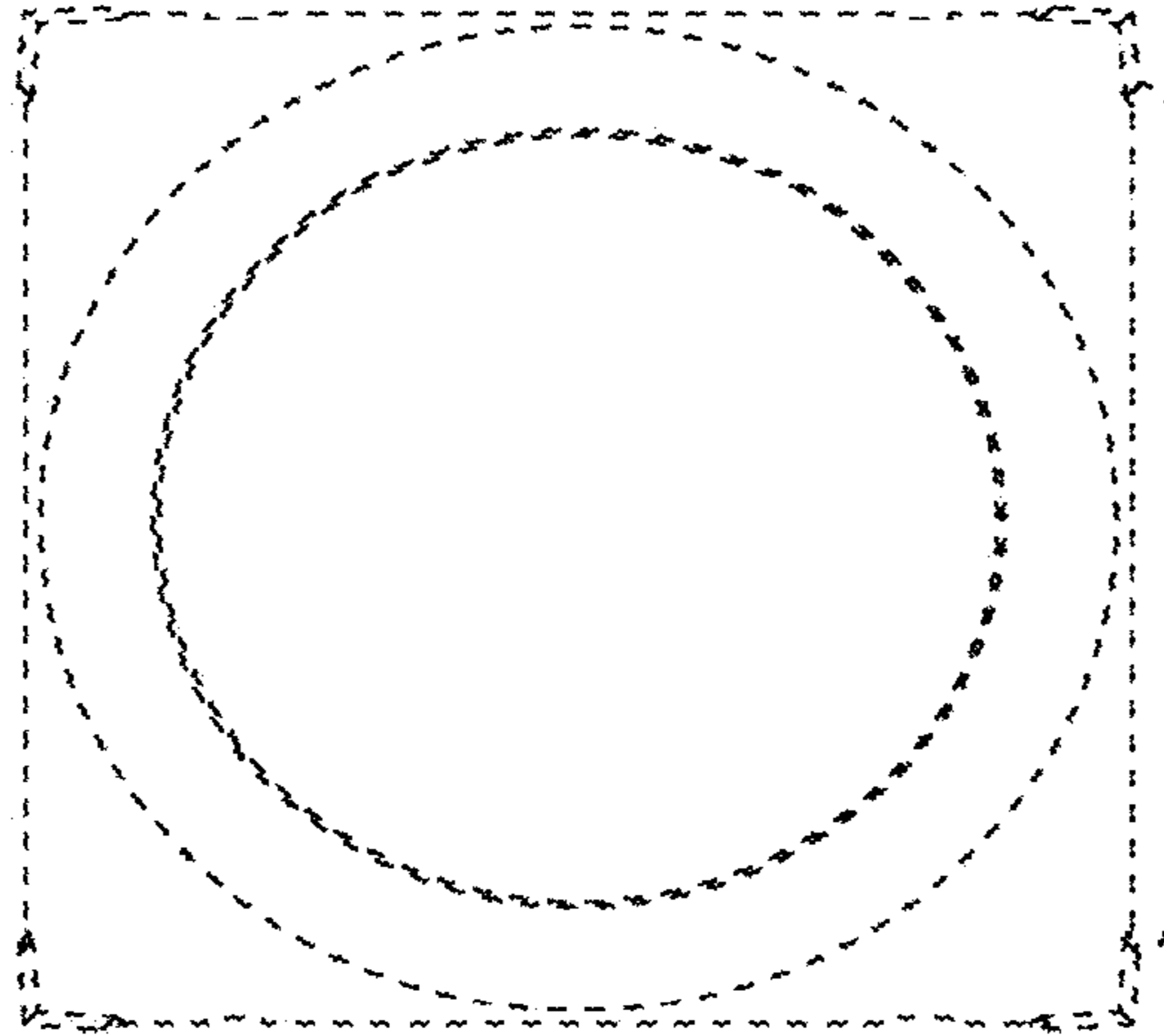


Fig. 6

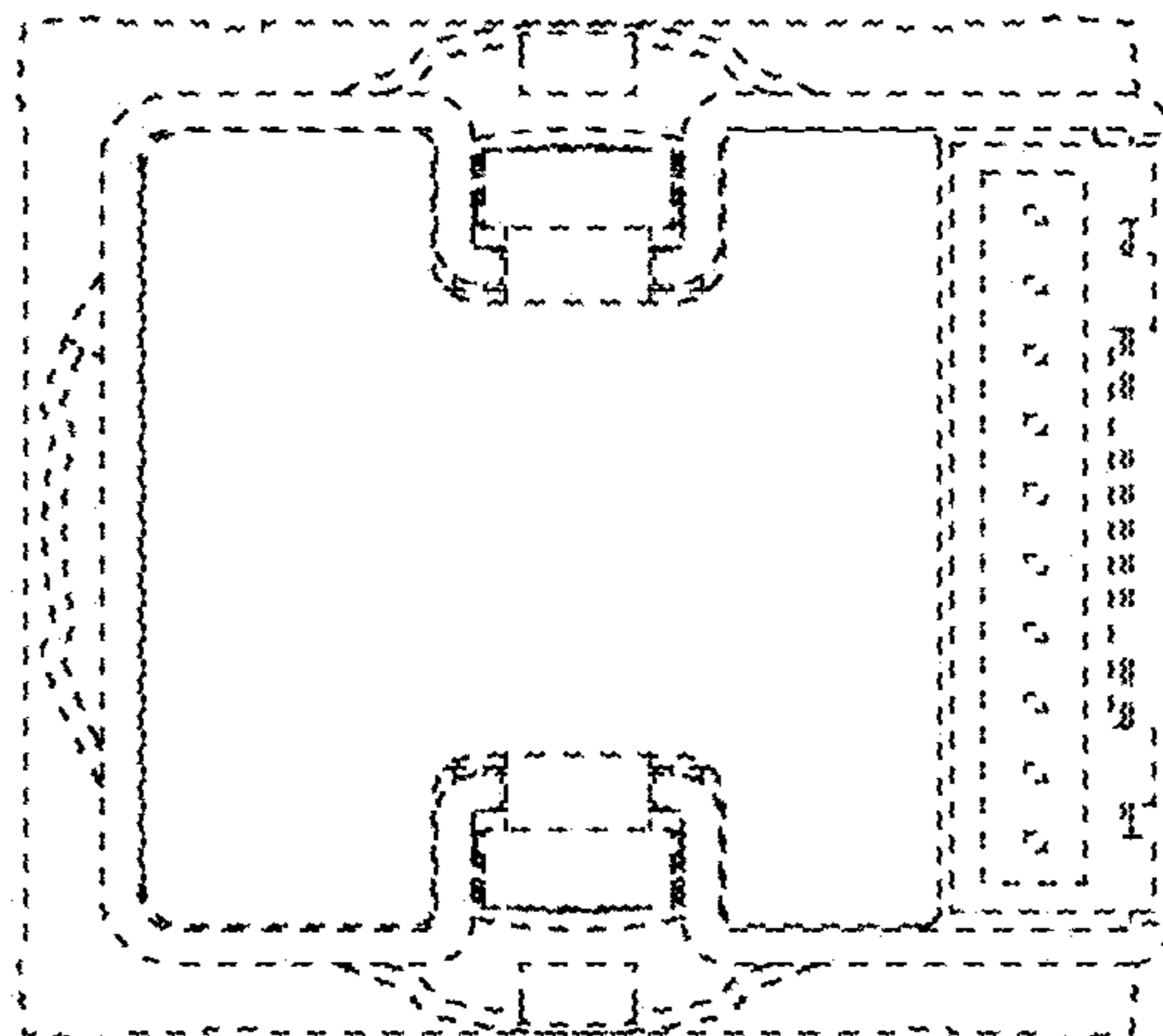


Fig. 7

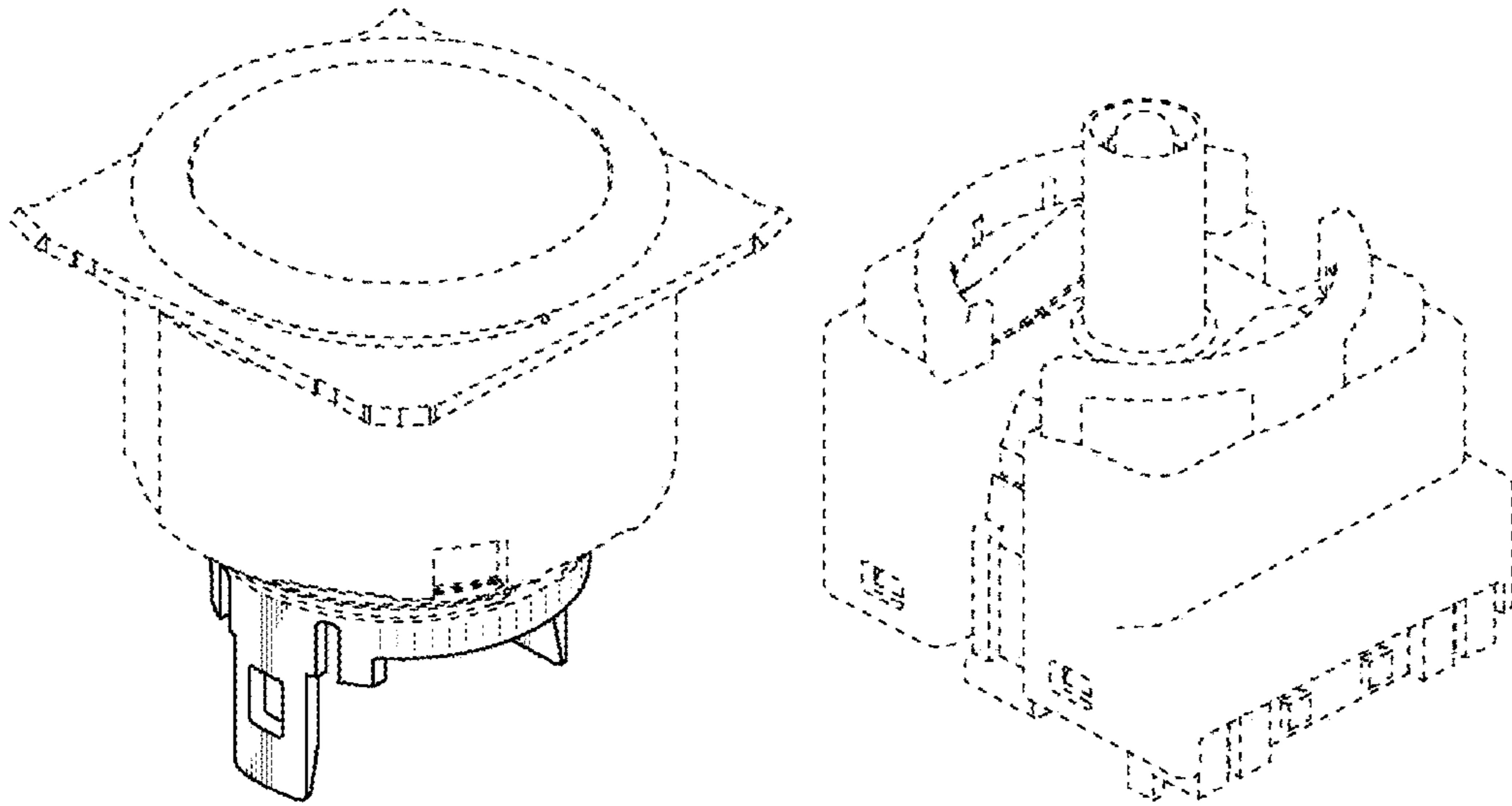


Fig. 8

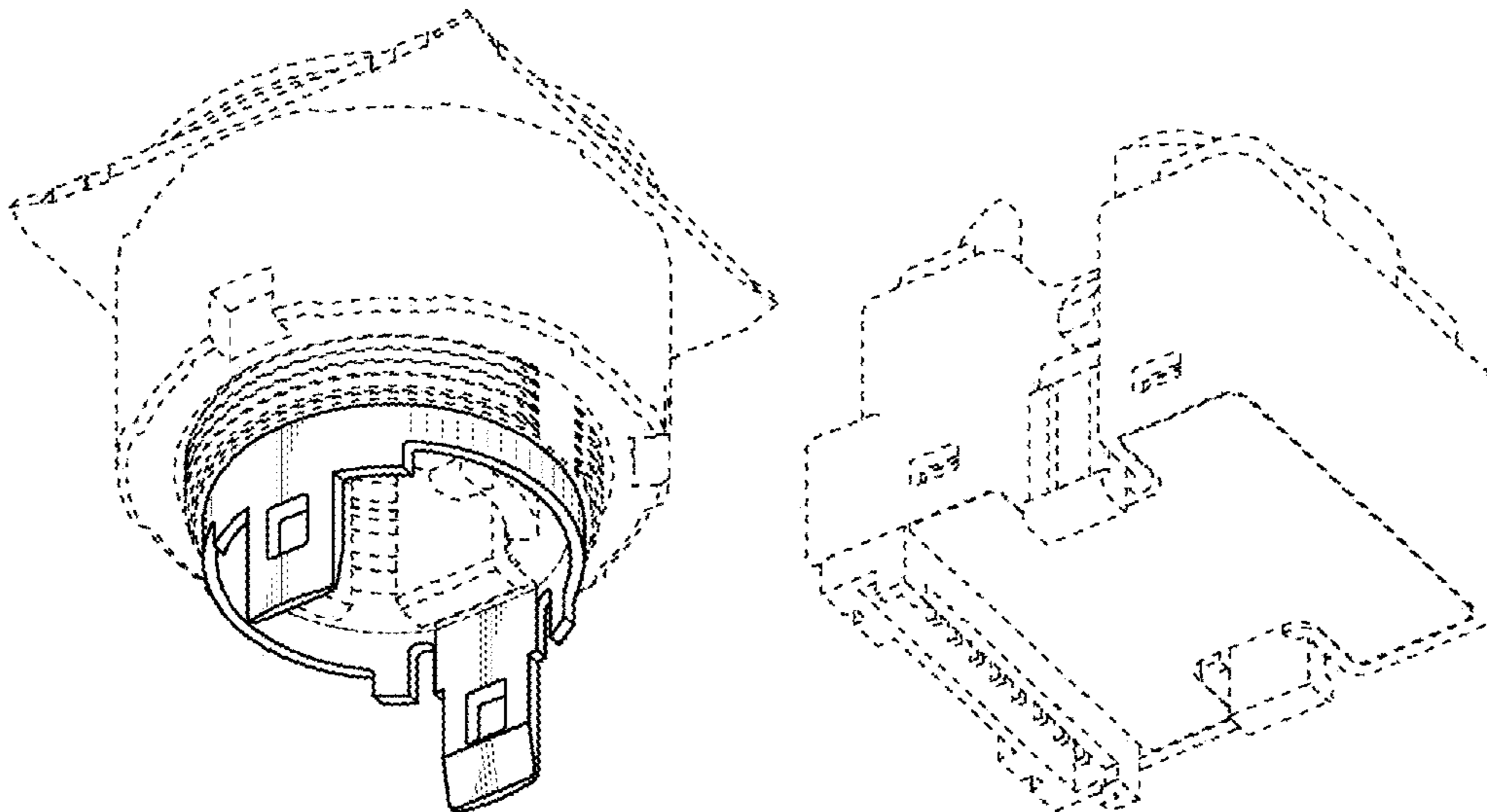


Fig. 9

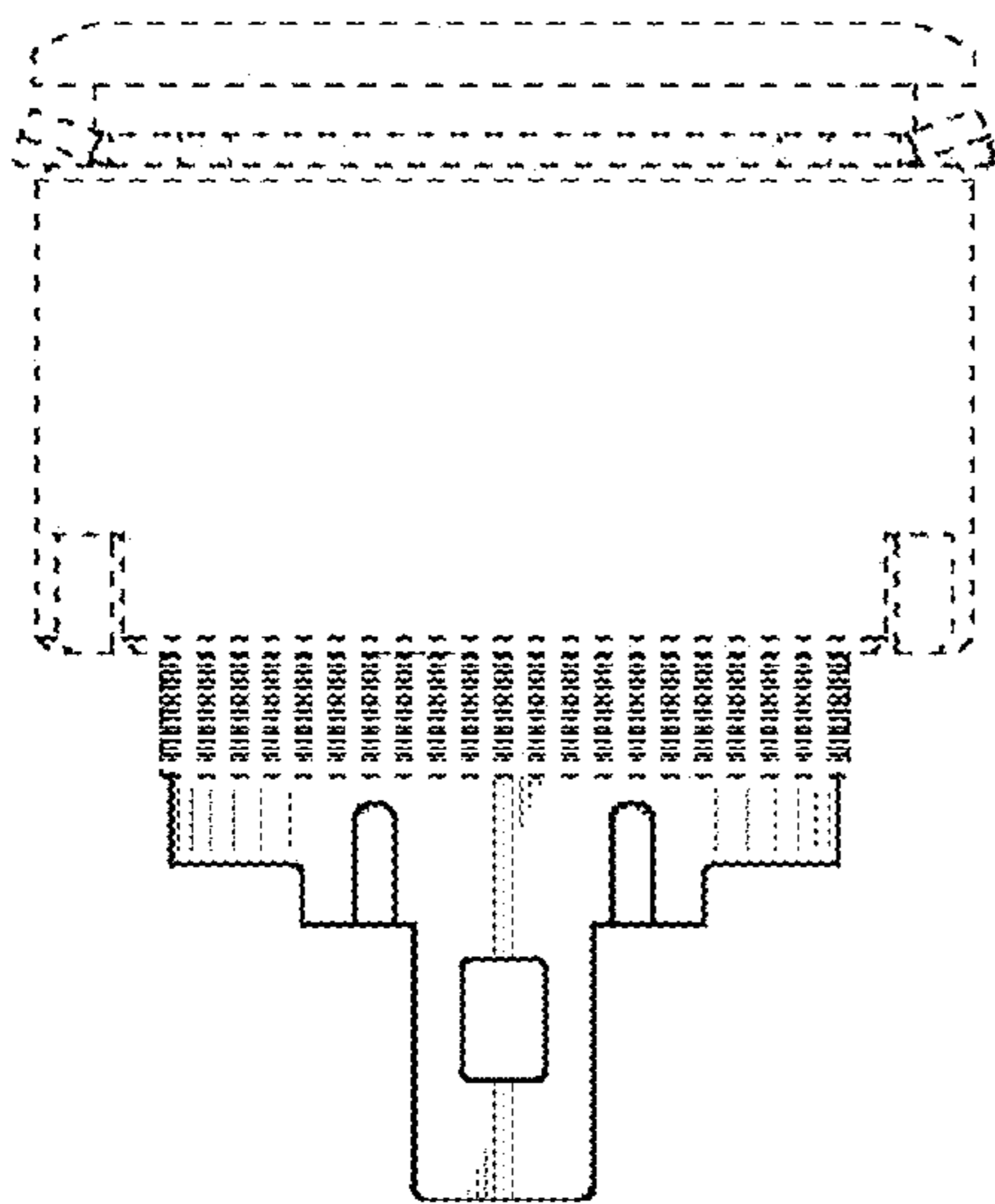


Fig. 10

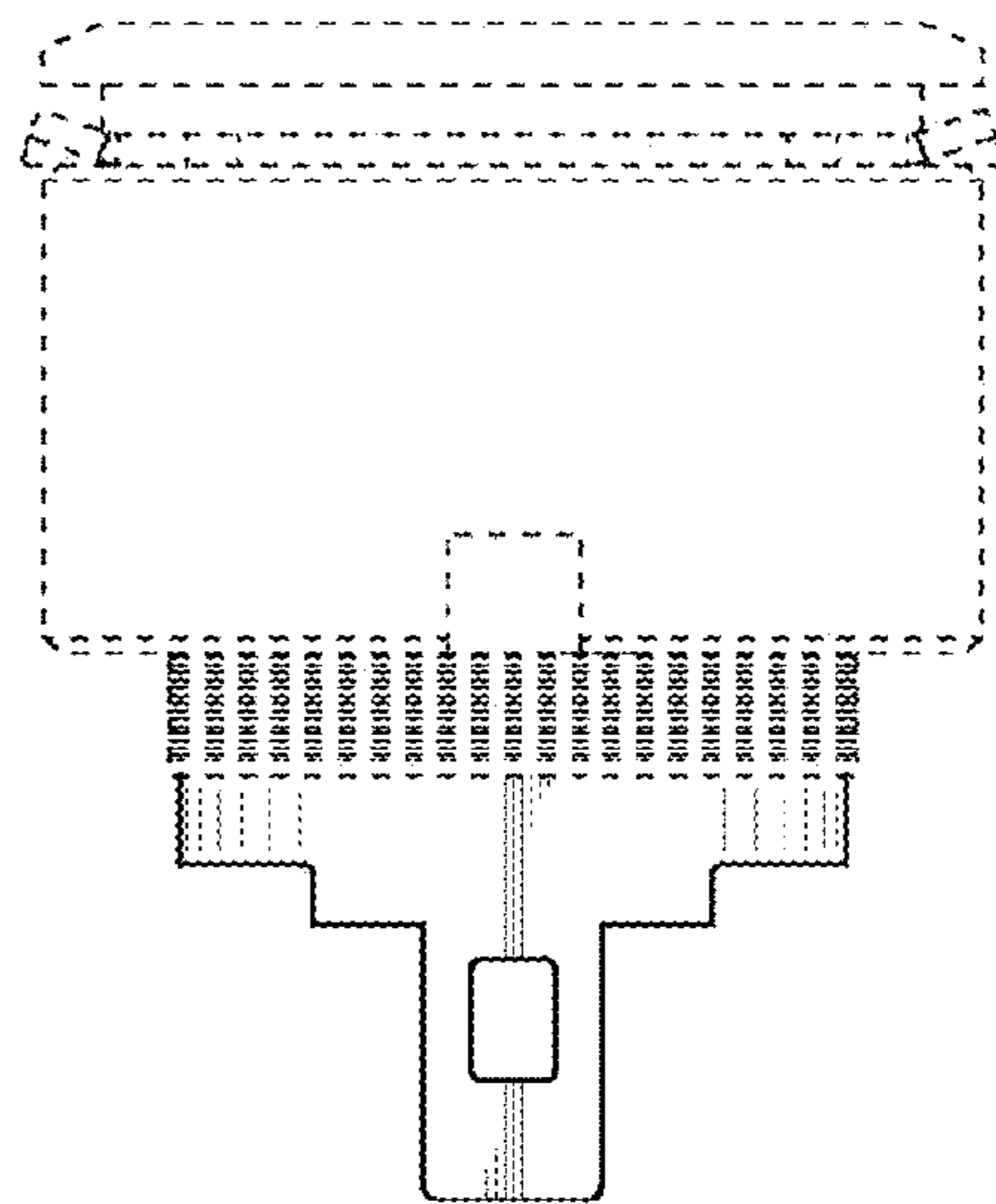


Fig. 11

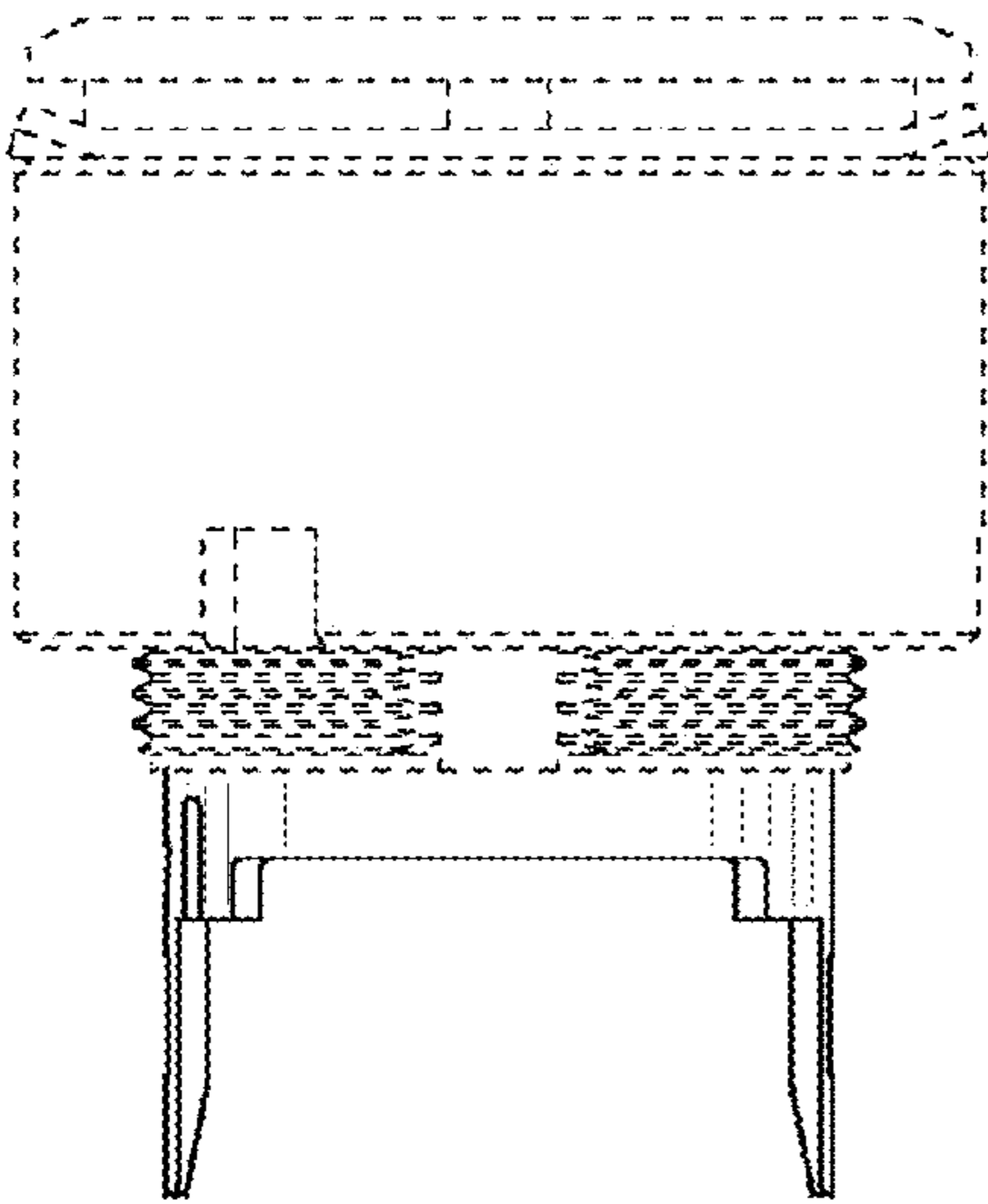


Fig. 12

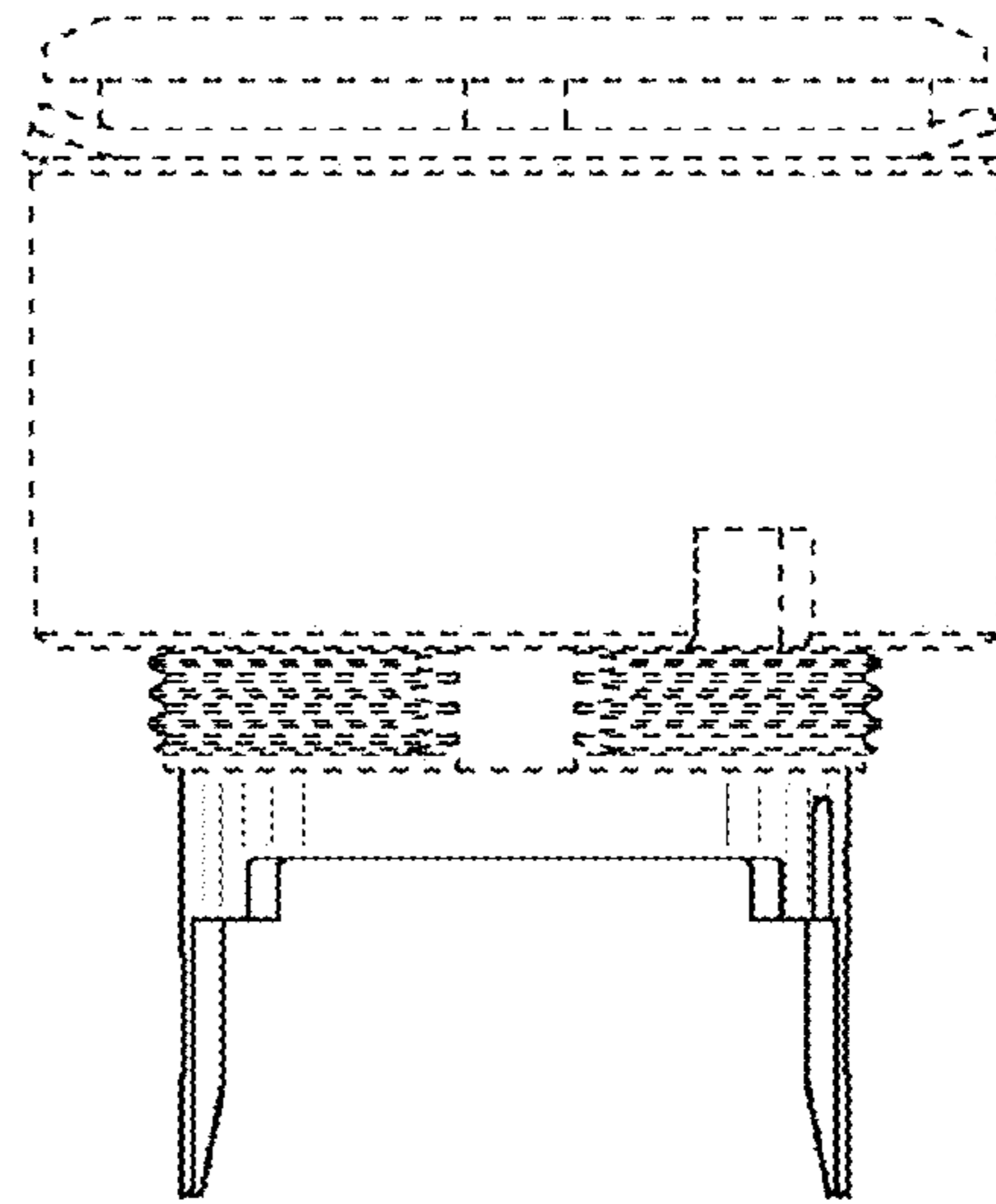


Fig. 13

