



US00D753068S

(12) **United States Design Patent**
Terazawa

(10) **Patent No.:** **US D753,068 S**

(45) **Date of Patent:** **** Apr. 5, 2016**

- (54) **PHOTOELECTRONIC SENSOR**
- (71) Applicant: **Panasonic Industrial Devices SUNX Co., Ltd., Kasugai-shi, Aichi-ken (JP)**
- (72) Inventor: **Takumi Terazawa, Kasugai (JP)**
- (73) Assignee: **Panasonic Industrial Devices SUNX Co. Ltd., Kasugai-shi (JP)**
- (**) Term: **14 Years**
- (21) Appl. No.: **29/498,264**
- (22) Filed: **Aug. 1, 2014**

D471,162 S *	3/2003	Fayfield	D13/165
6,982,410 B2 *	1/2006	Oikawa	G01V 8/12 250/221
D542,232 S *	5/2007	Suzuki	D13/165
D651,104 S *	12/2011	Mori	D10/70
D737,163 S *	8/2015	Yamamoto	D10/106.6
2005/0122590 A1 *	6/2005	Higuchi	G01V 8/20 359/618
2005/0199786 A1 *	9/2005	Yoshida	G01V 8/14 250/221
2006/0219874 A1 *	10/2006	Sato	G01D 11/30 250/221
2010/0238448 A1 *	9/2010	Wang	G01V 8/10 356/445
2010/0258711 A1 *	10/2010	Wang	G01V 8/20 250/221

* cited by examiner

(30) **Foreign Application Priority Data**

Jun. 30, 2014 (JP) 2014-014308

(51) **LOC (10) Cl.** **13-03**

(52) **U.S. Cl.**
USPC **D13/165; D10/106.6**

(58) **Field of Classification Search**
USPC D13/158, 165; D10/70, 106.6, 106.8;
250/221
CPC G01J 1/0271; G01S 7/4811; G01V 8/10;
G01V 8/12; G01V 8/14; G01V 8/20; H03K
17/78
See application file for complete search history.

(56) **References Cited**

U.S. PATENT DOCUMENTS

D255,031 S *	5/1980	Lazzara	D13/165
5,077,467 A *	12/1991	Barron, Jr.	H03K 17/941 250/221
5,200,607 A *	4/1993	Klima	G01J 1/02 250/216
D421,422 S *	3/2000	La Police	D13/165
D442,563 S *	5/2001	Fayfield	D13/165
6,225,621 B1 *	5/2001	Rogers	G01S 7/4811 250/221

Primary Examiner — Selina Sikder

(74) *Attorney, Agent, or Firm* — Faegre Baker Daniel LLP

(57) **CLAIM**

The ornamental design for a photoelectronic sensor, as shown and described.

DESCRIPTION

FIG. 1 is a front, top and right side perspective view of a photoelectronic sensor showing my new design;
 FIG. 2 is a rear, bottom and left side perspective view thereof;
 FIG. 3 is a front view thereof;
 FIG. 4 is a top plan view thereof;
 FIG. 5 is a bottom plan view thereof;
 FIG. 6 is a right side view thereof, the left side view being a mirror image of FIG. 6;
 FIG. 7 is a cross-sectional view taken along line 7-7 in FIG. 3; and,
 FIG. 8 is a cross-sectional view taken along line 8-8 in FIG. 3.
 The features shown in broken lines in the drawings depict environmental subject matter only and form no part of the claimed design. The dashed-dotted lines denote the boundary of the claim and form no part of the claimed design.

1 Claim, 8 Drawing Sheets

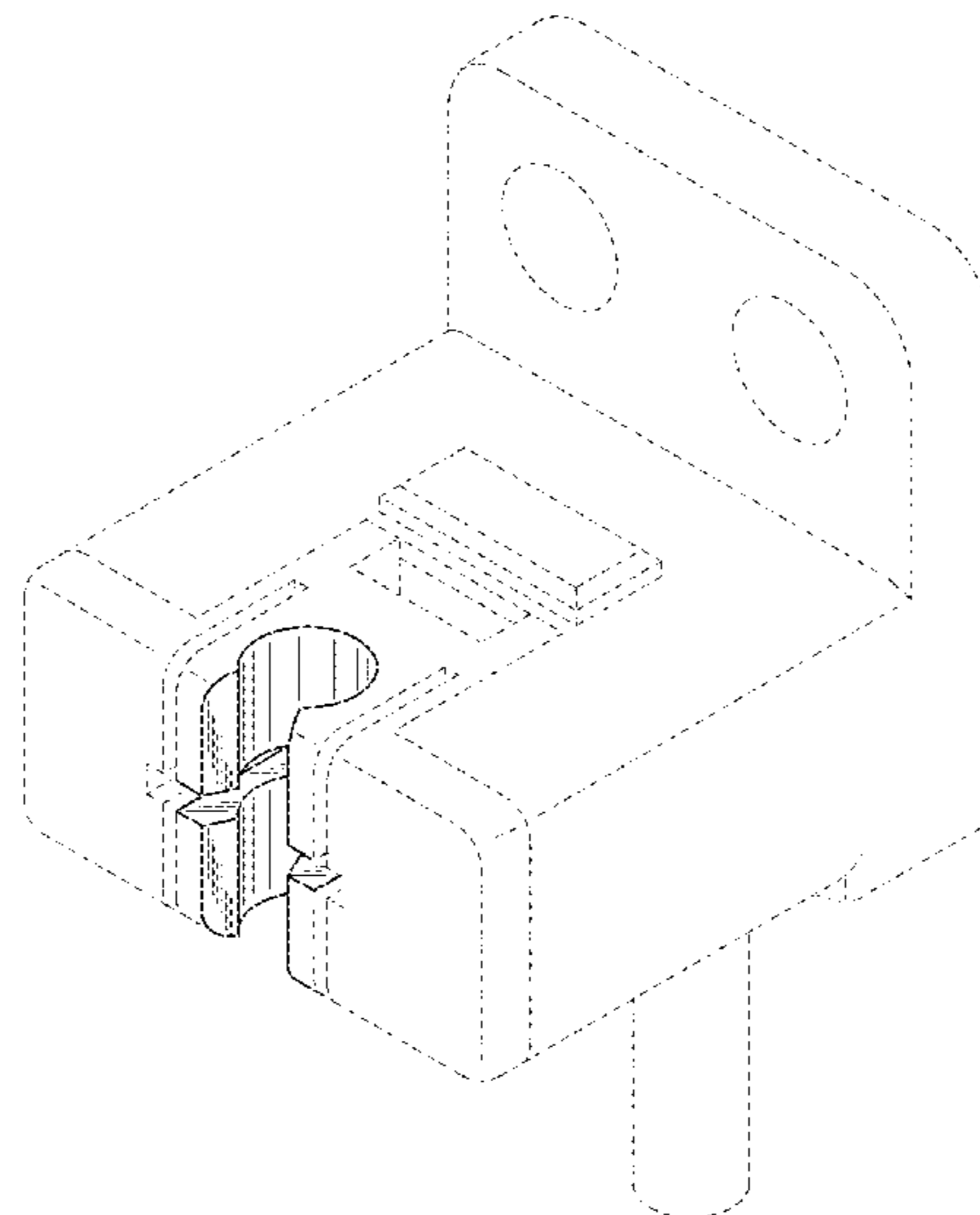


FIG. 1

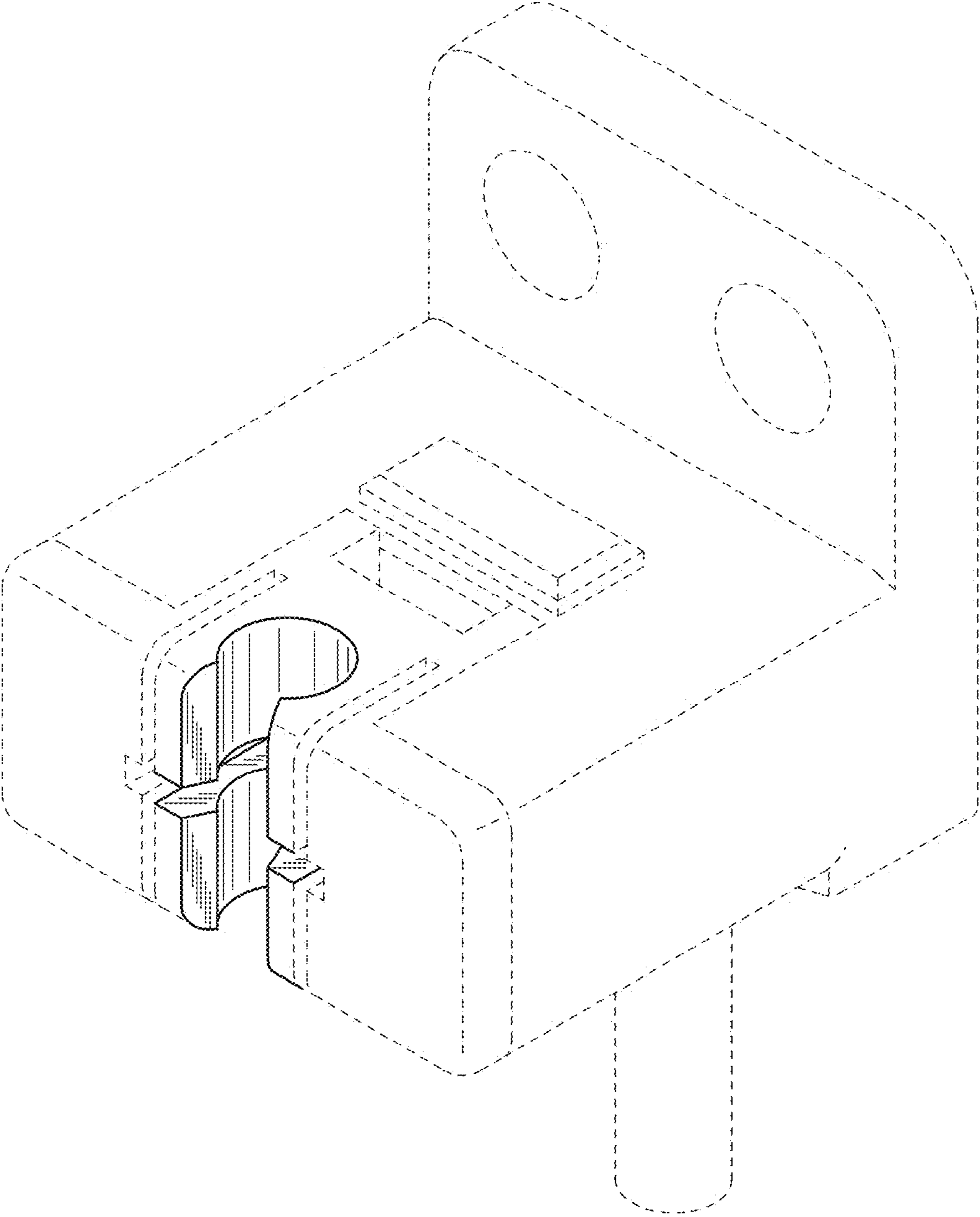


FIG. 2

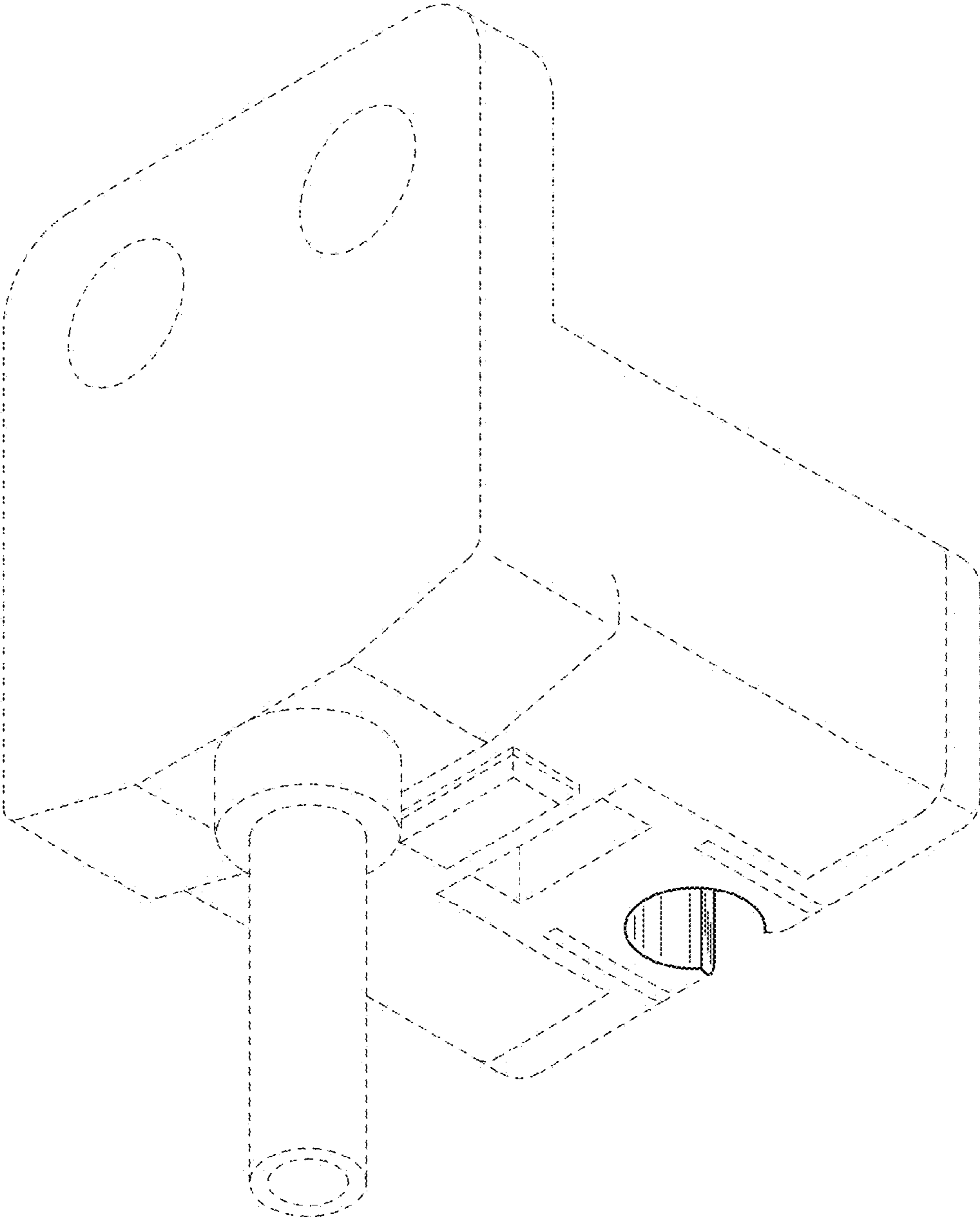


FIG. 3

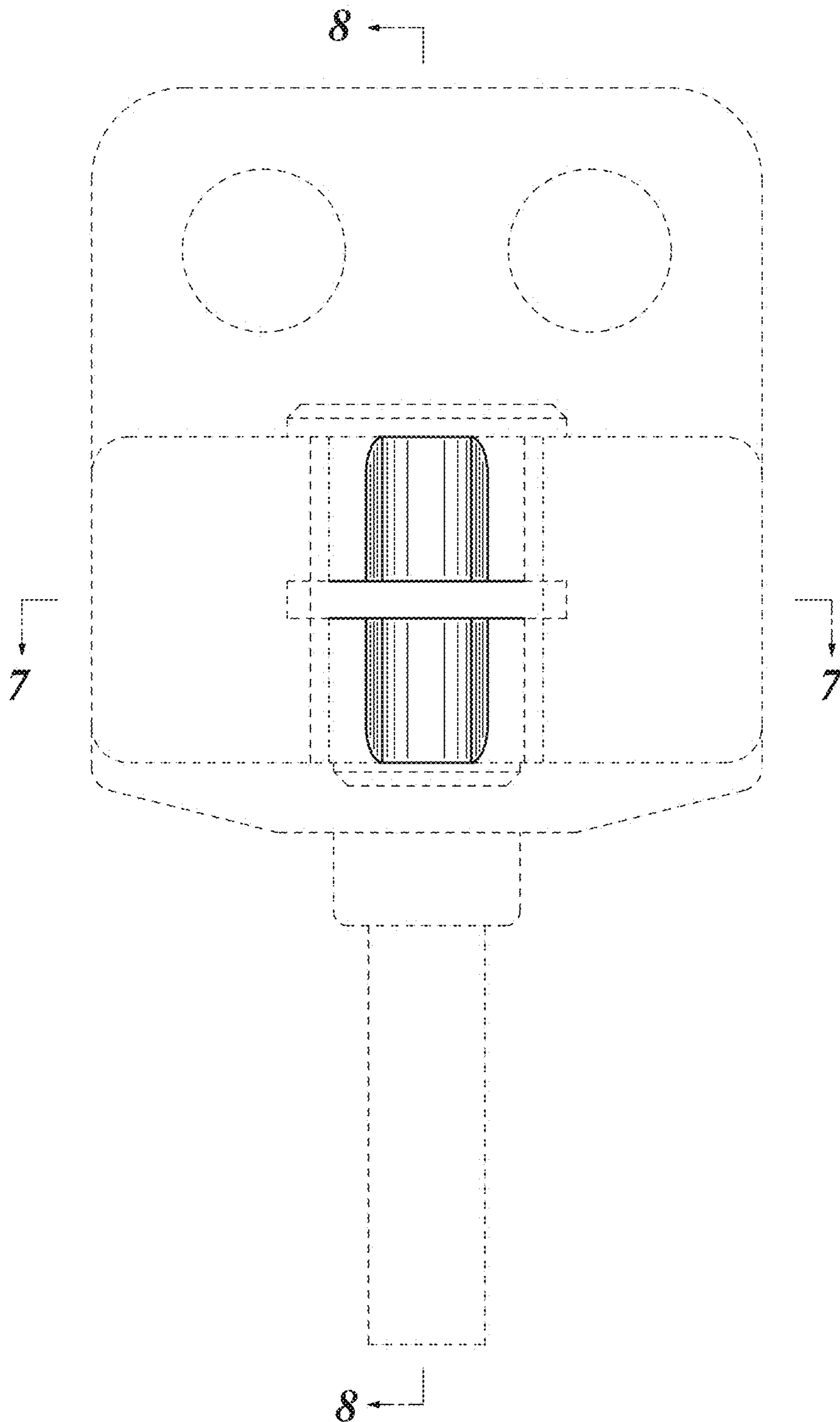


FIG. 4

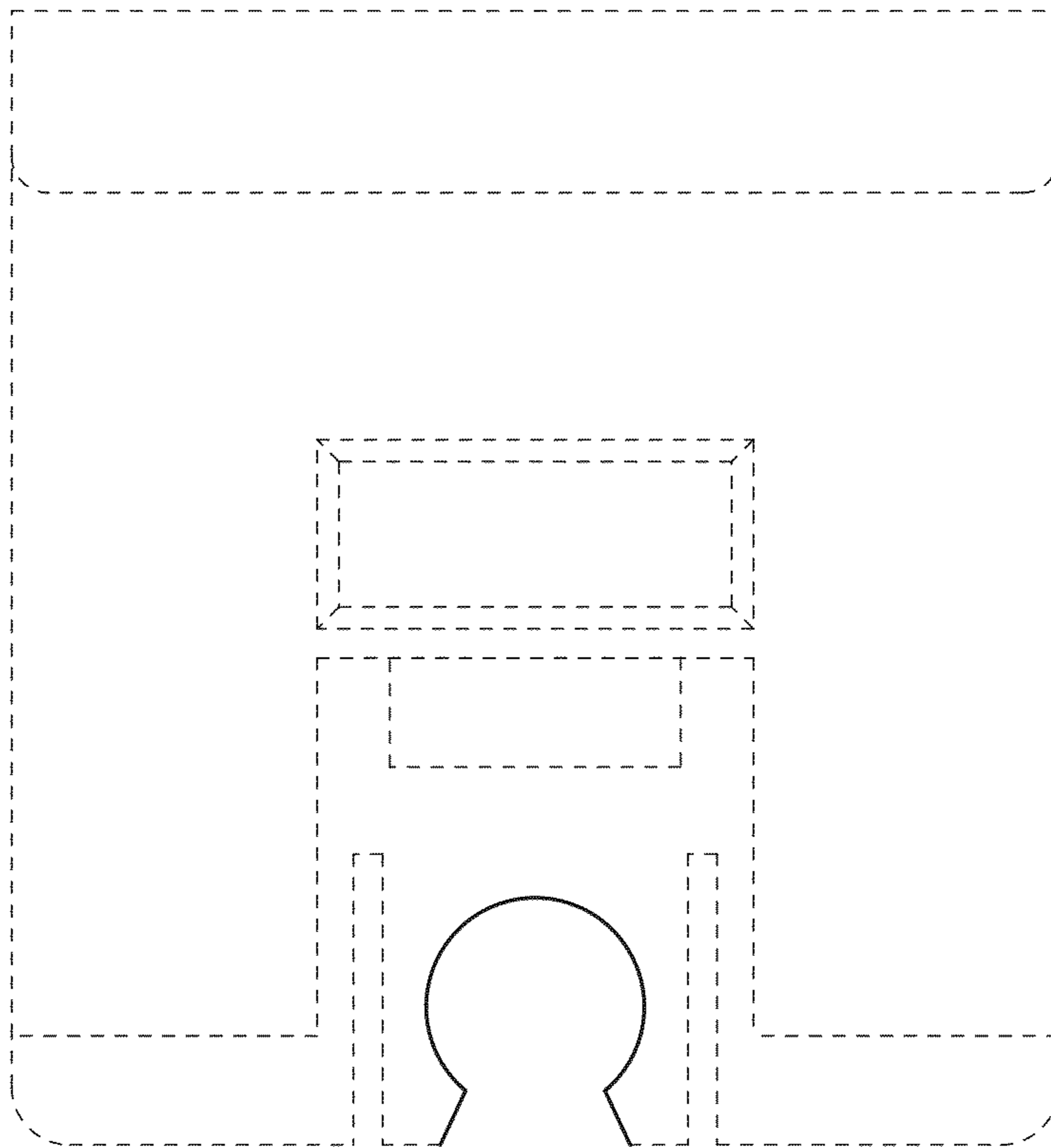


FIG. 5

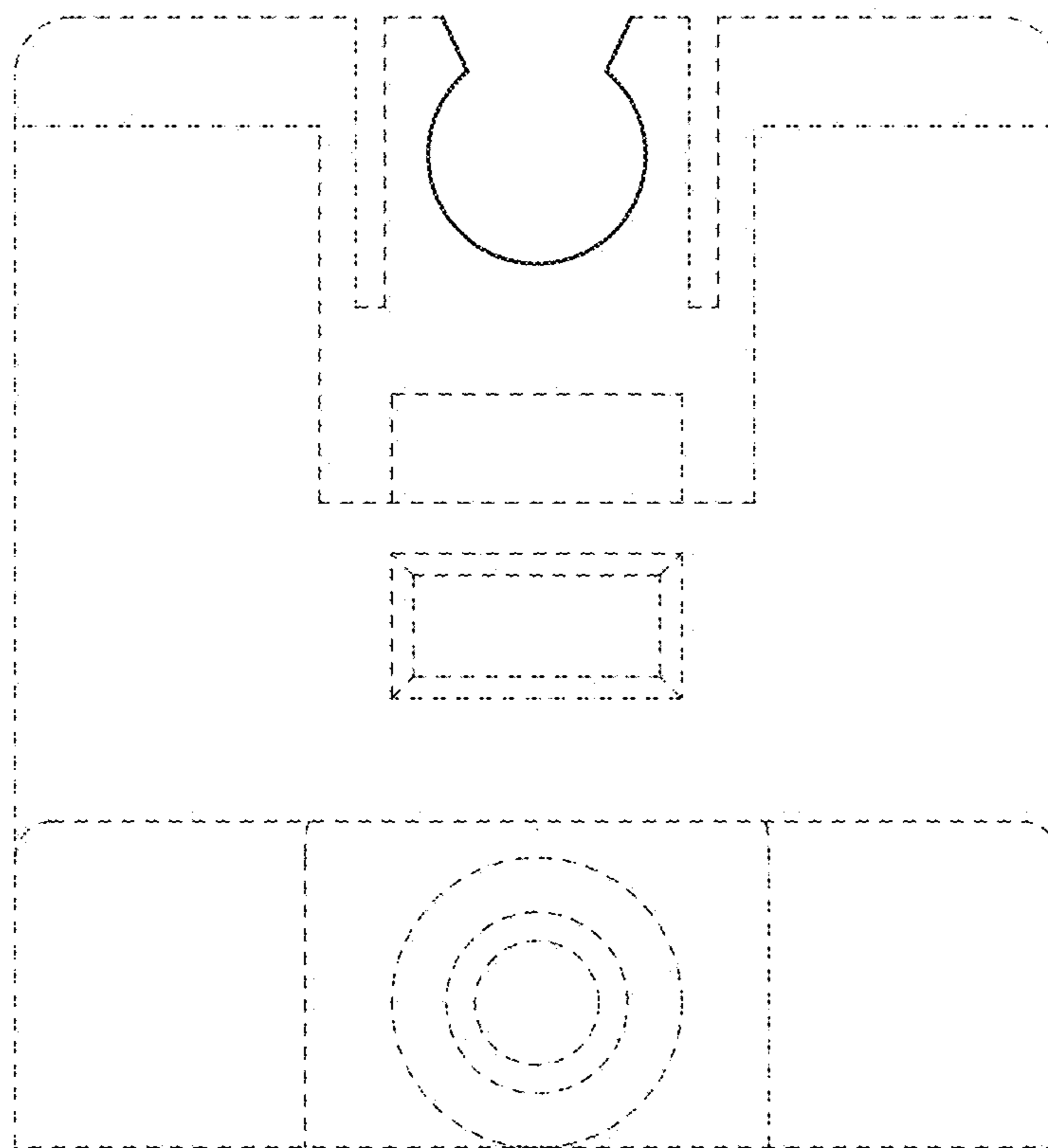


FIG. 6

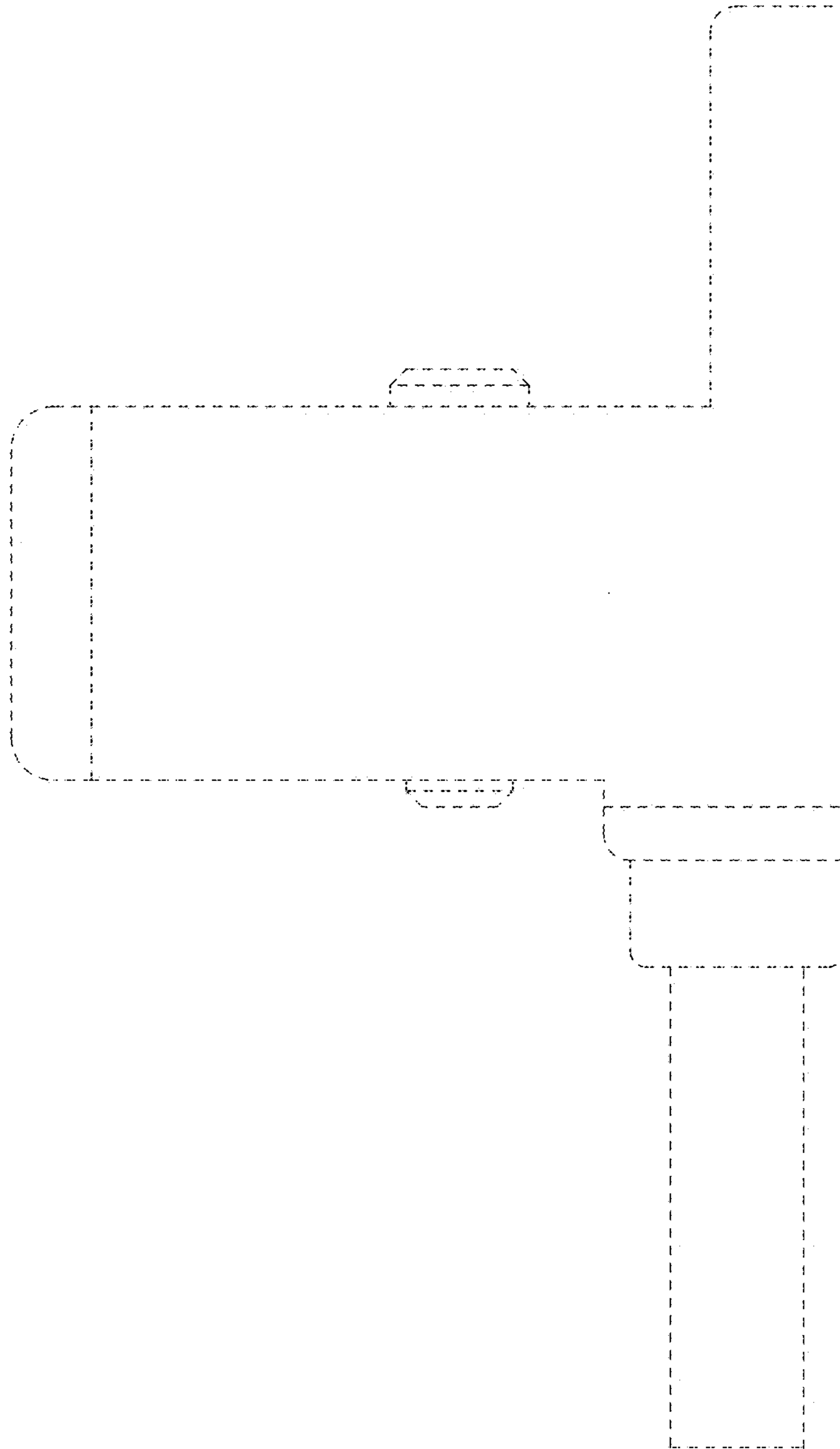


FIG. 7

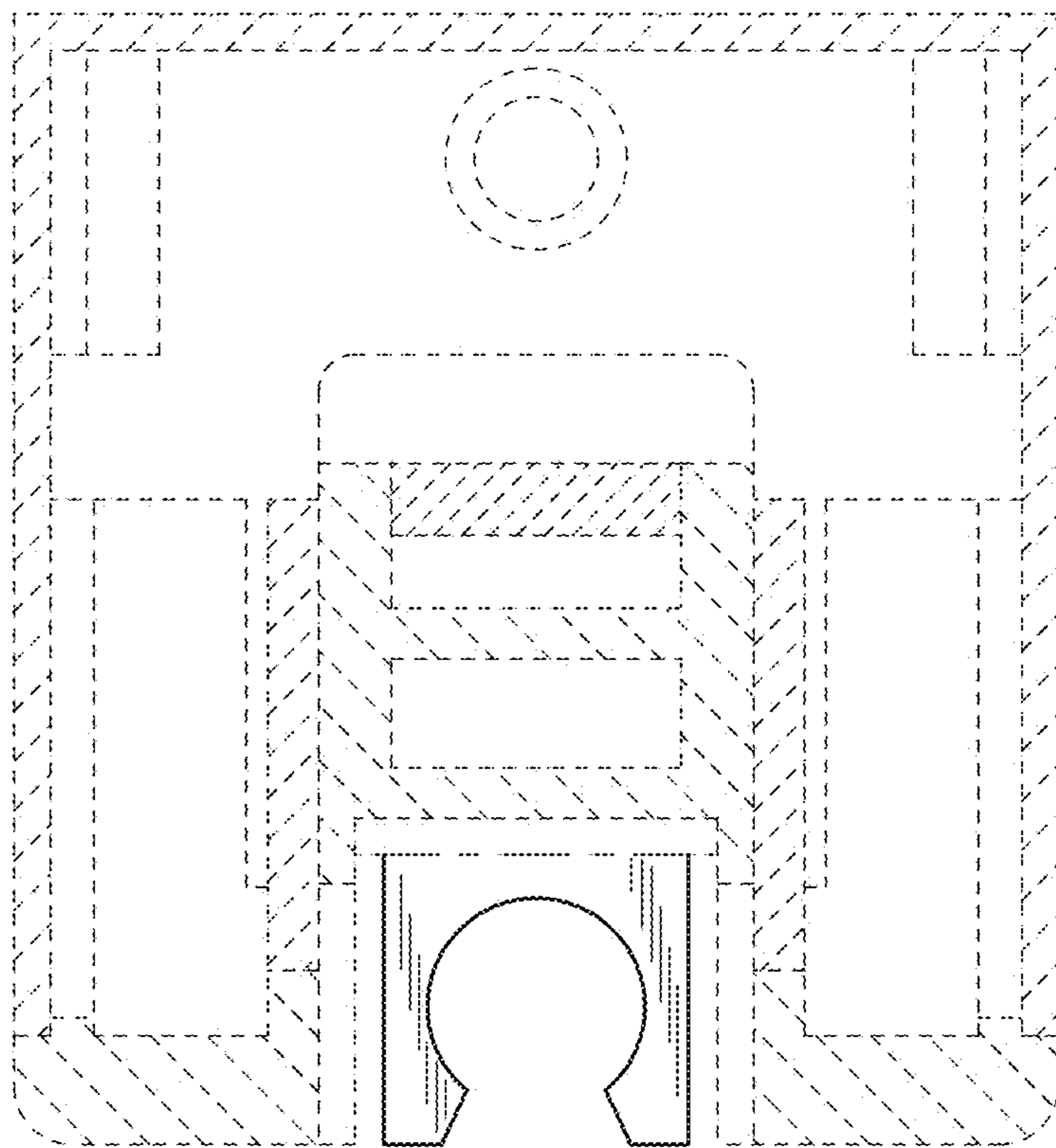


FIG. 8

