



US00D753067S

(12) **United States Design Patent**
Thomasson et al.

(10) **Patent No.:** **US D753,067 S**
(45) **Date of Patent:** **** Apr. 5, 2016**

- (54) **ELECTRICAL CONTACTOR**
- (71) Applicant: **Dynapar Corporation**, Gurnee, IL (US)
- (72) Inventors: **John Marshall Thomasson**,
Wilmington, NC (US); **Cathleen Mary Clausen**,
Wilmington, NC (US); **Nicholas Graham Hartman**,
Leland, NC (US); **David Donovan**,
Winnabow, NC (US)
- (73) Assignee: **Dynapar Corporation**, Gurnee, IL (US)
- (**) Term: **14 Years**
- (21) Appl. No.: **29/494,615**
- (22) Filed: **Jun. 23, 2014**

D487,253	S	*	3/2004	Nurdogan	D13/159
D640,989	S	*	7/2011	Detemple	D13/159
D656,903	S	*	4/2012	Suzuki	D13/159
D656,904	S	*	4/2012	Suzuki	D13/159
D656,905	S	*	4/2012	Okubo	D13/159
D690,660	S	*	10/2013	Suzuki	D13/159
D713,359	S	*	9/2014	Thomasson	D13/159
2004/0048521	A1	*	3/2004	Hogue	H01H 1/18 439/775
2005/0148216	A1	*	7/2005	Nishida	H01H 9/02 439/74
2014/0133109	A1	*	5/2014	Thomasson	H01H 50/02 361/752

* cited by examiner

Primary Examiner — Thomas Johannes
Assistant Examiner — Shawn T Gingrich

(74) *Attorney, Agent, or Firm* — Beusse, Wolter, Sanks & Maire, PLLC

Related U.S. Application Data

- (62) Division of application No. 29/435,813, filed on Oct. 29, 2012, now Pat. No. Des. 713,359.
- (51) **LOC (10) Cl.** **13-03**
- (52) **U.S. Cl.**
USPC **D13/159**
- (58) **Field of Classification Search**
USPC D13/110, 112, 123, 133, 146, 147,
D13/158–161, 171–174, 184, 199
CPC H01H 9/00; H01H 9/02; H01H 35/38;
H01H 50/00; H01H 67/02; H01M 67/02;
H05K 5/00; H05K 5/0026
See application file for complete search history.

(57) **CLAIM**

The ornamental design of an electrical contactor, as shown and described.

DESCRIPTION

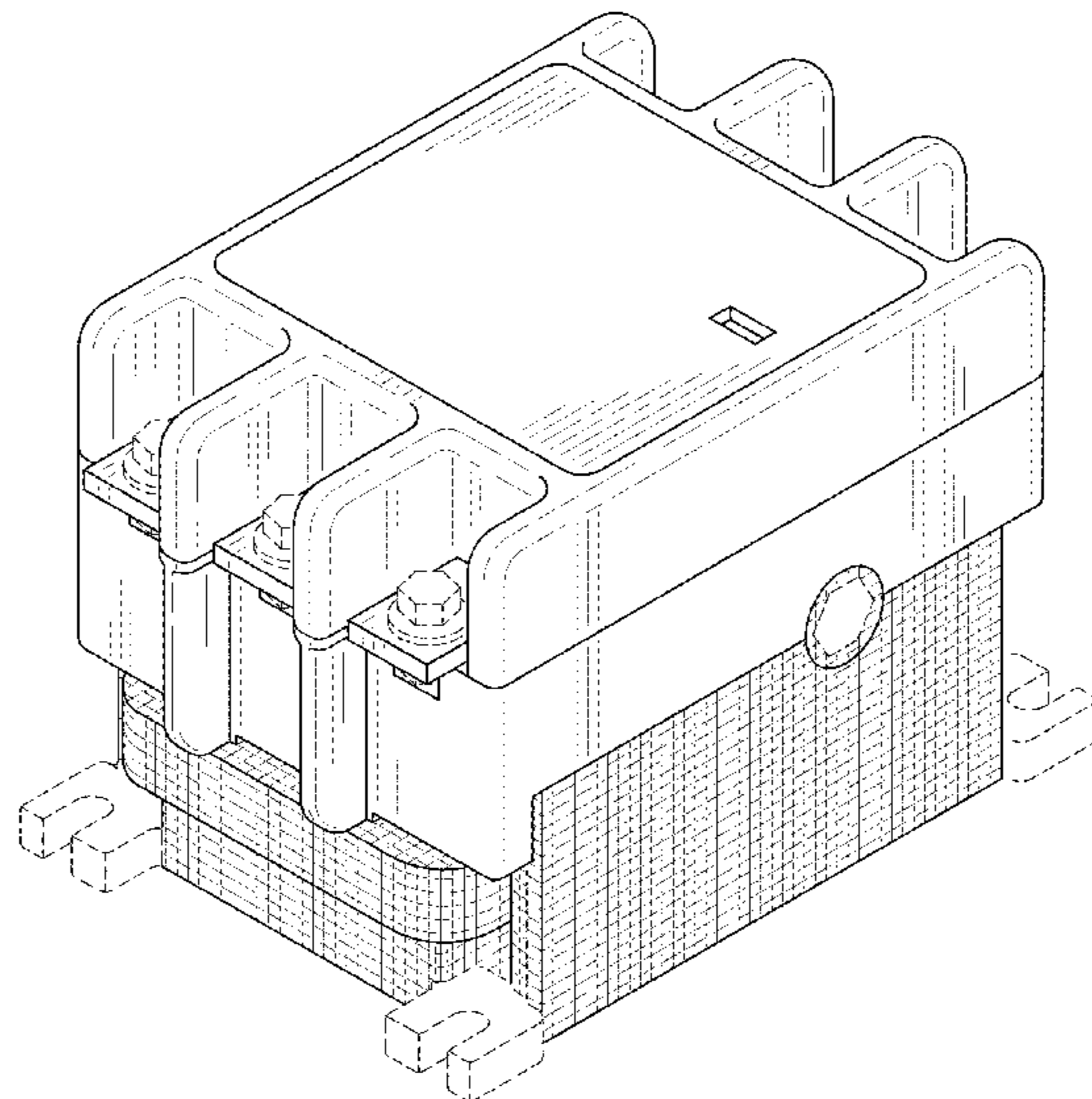
FIG. 1 is a front perspective view of an electrical contactor in accordance with the present invention; FIG. 2 is a rear perspective view thereof; FIG. 3 is a side view thereof; FIG. 4 is front view thereof; FIG. 5 is a rear view thereof; FIG. 6 is a top view thereof; and, FIG. 7 is a bottom view thereof. The broken line portion of the figure drawings is included to show portions of the article that forms no part of the claimed design. The grid pattern portion of the figure drawings is included to show a contrasting appearance.

(56) **References Cited**

U.S. PATENT DOCUMENTS

D246,851	S	*	1/1978	Tarchalski	D13/160
5,424,900	A	*	6/1995	Kiiskinen	H01H 50/545 335/132
D480,365	S	*	10/2003	Nurdogan	D13/159

1 Claim, 5 Drawing Sheets



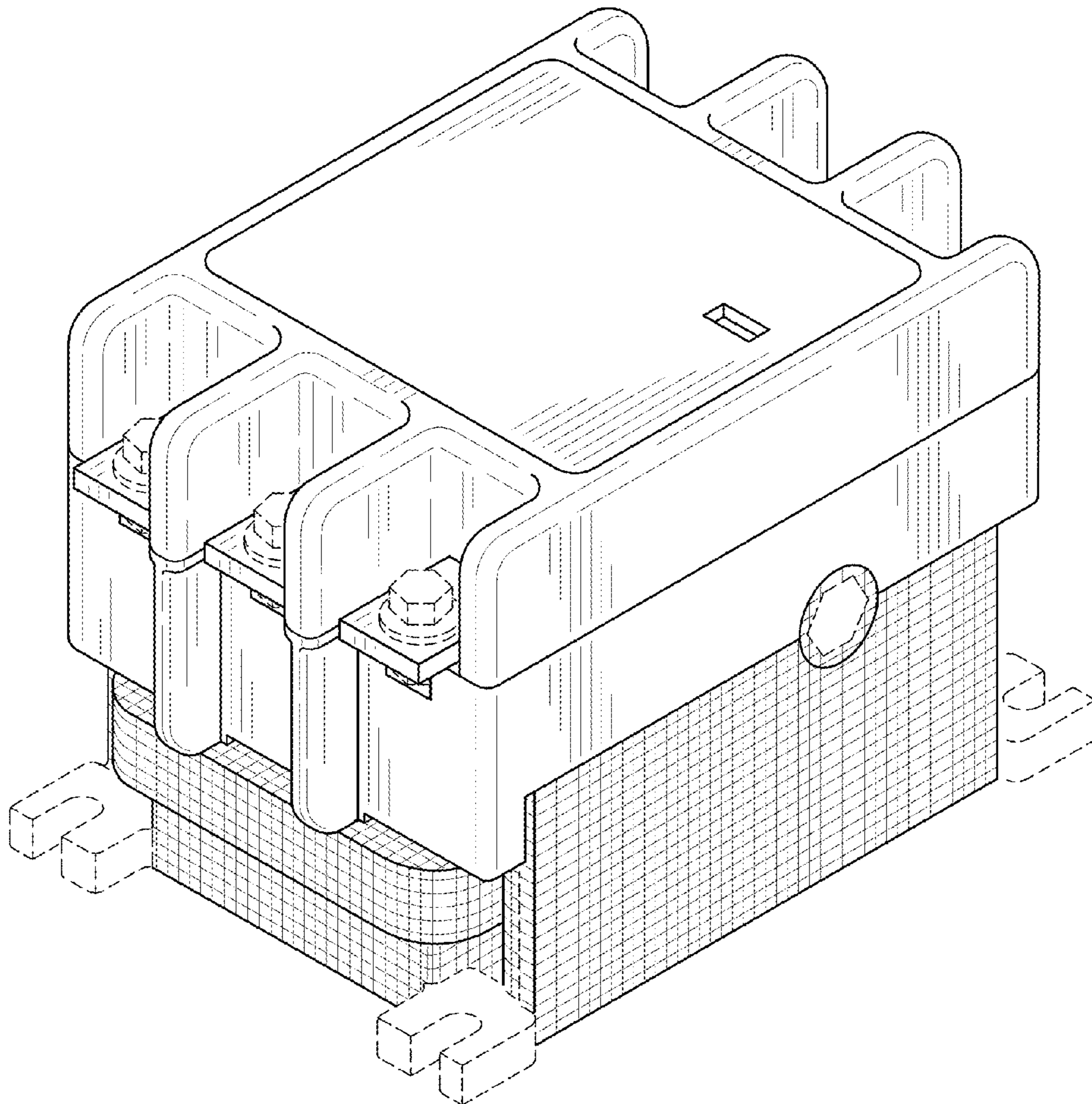


FIG. 1

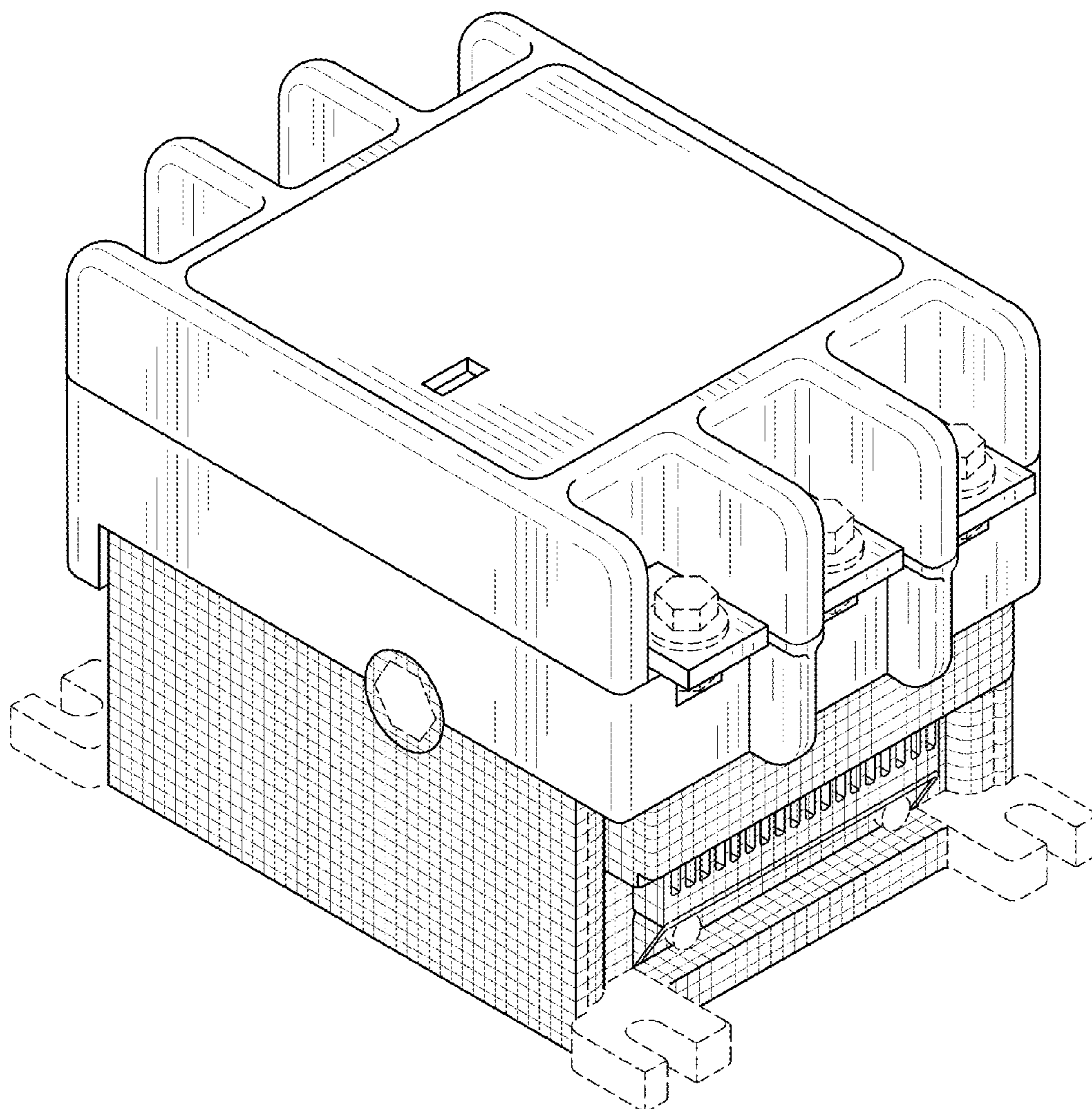


FIG. 2

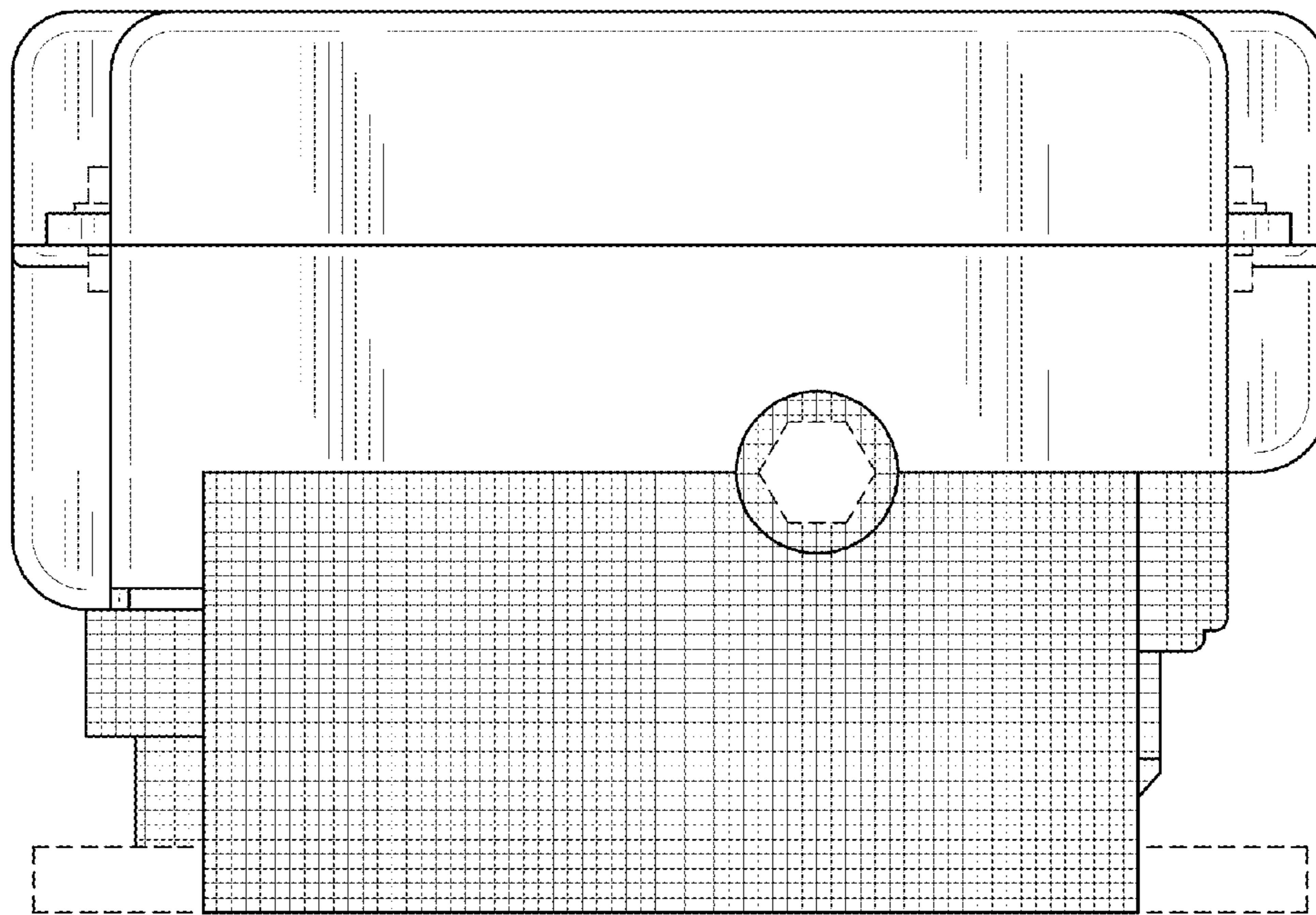


FIG. 3

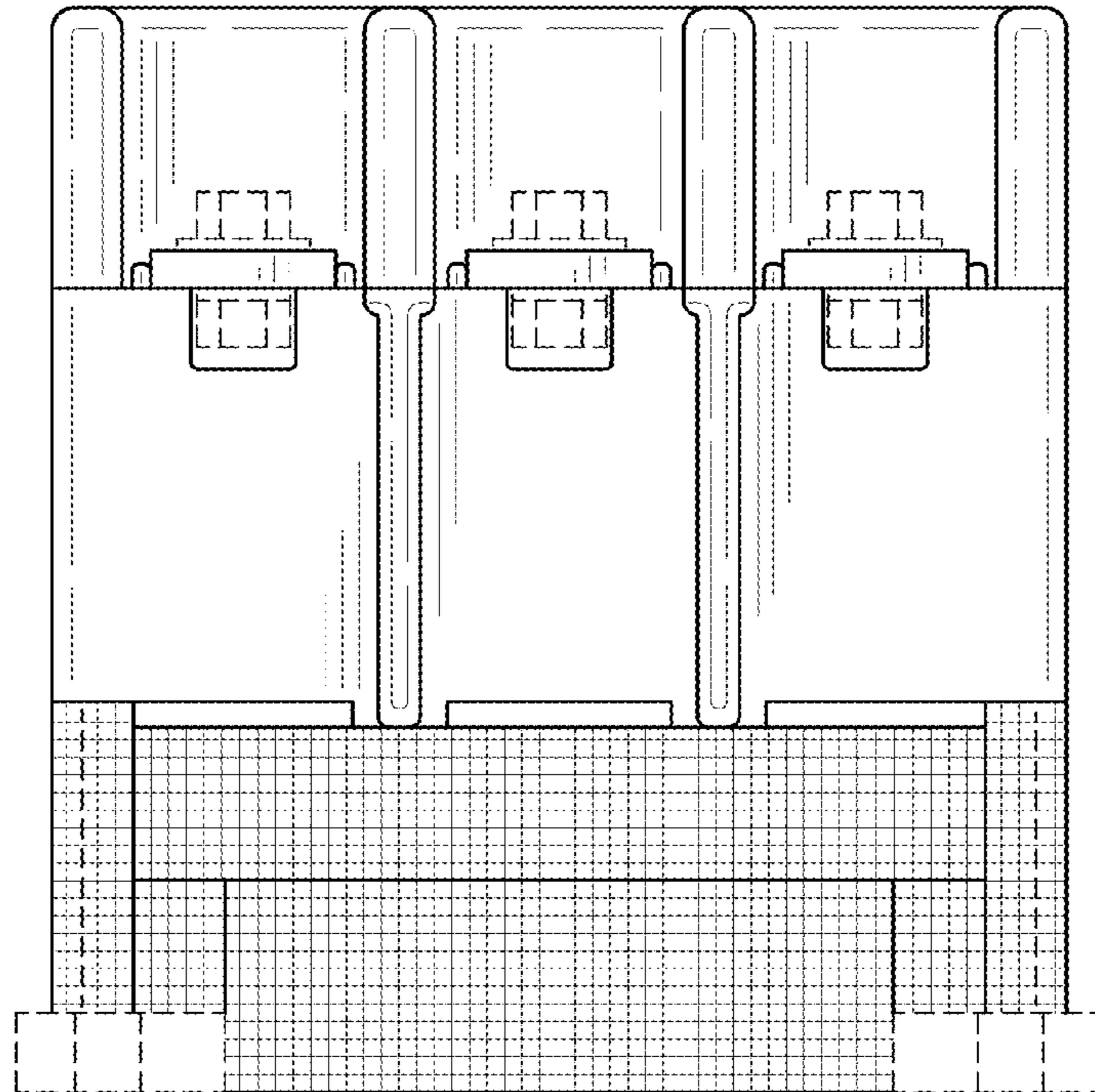


FIG. 4

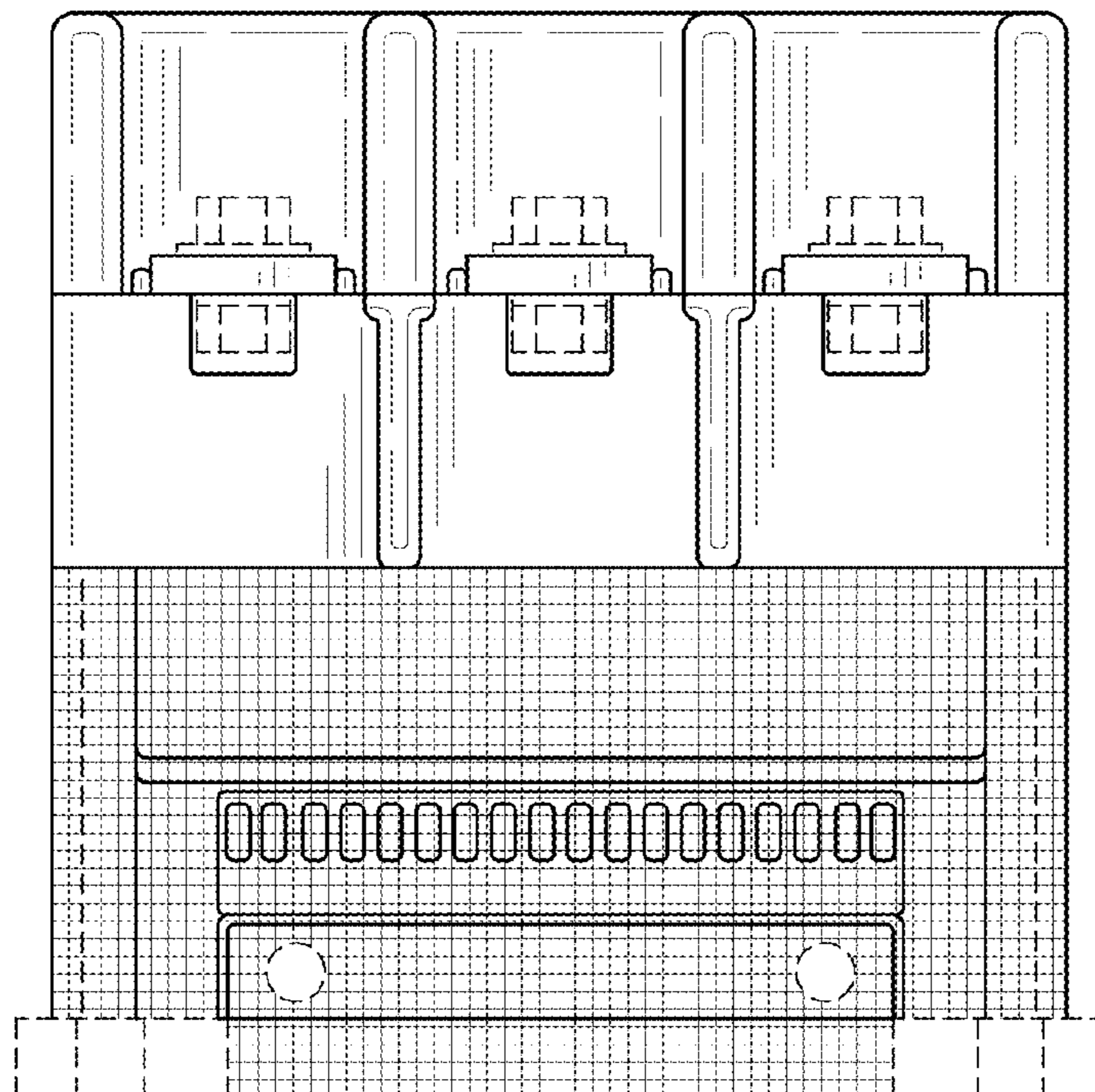


FIG. 5

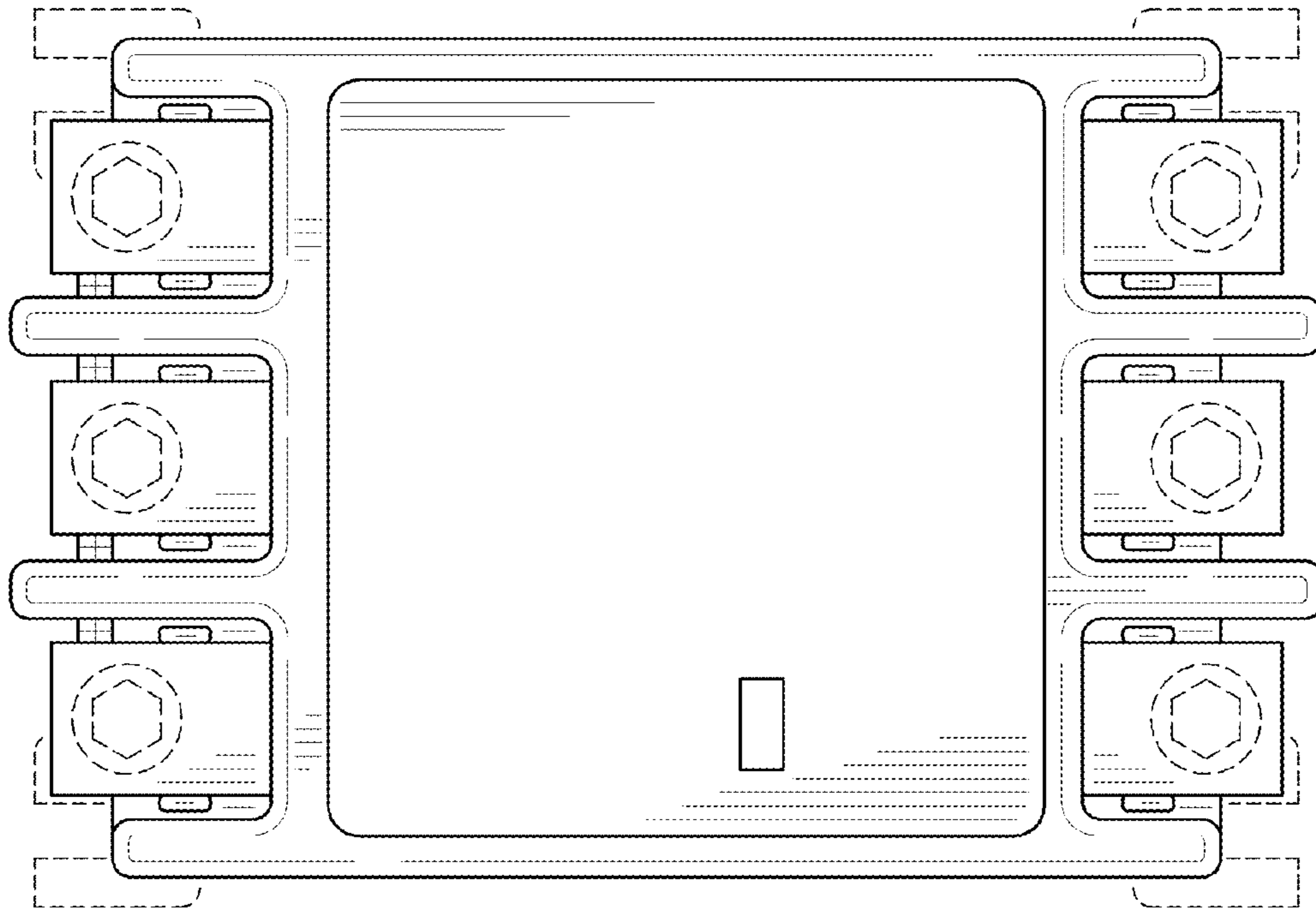


FIG. 6

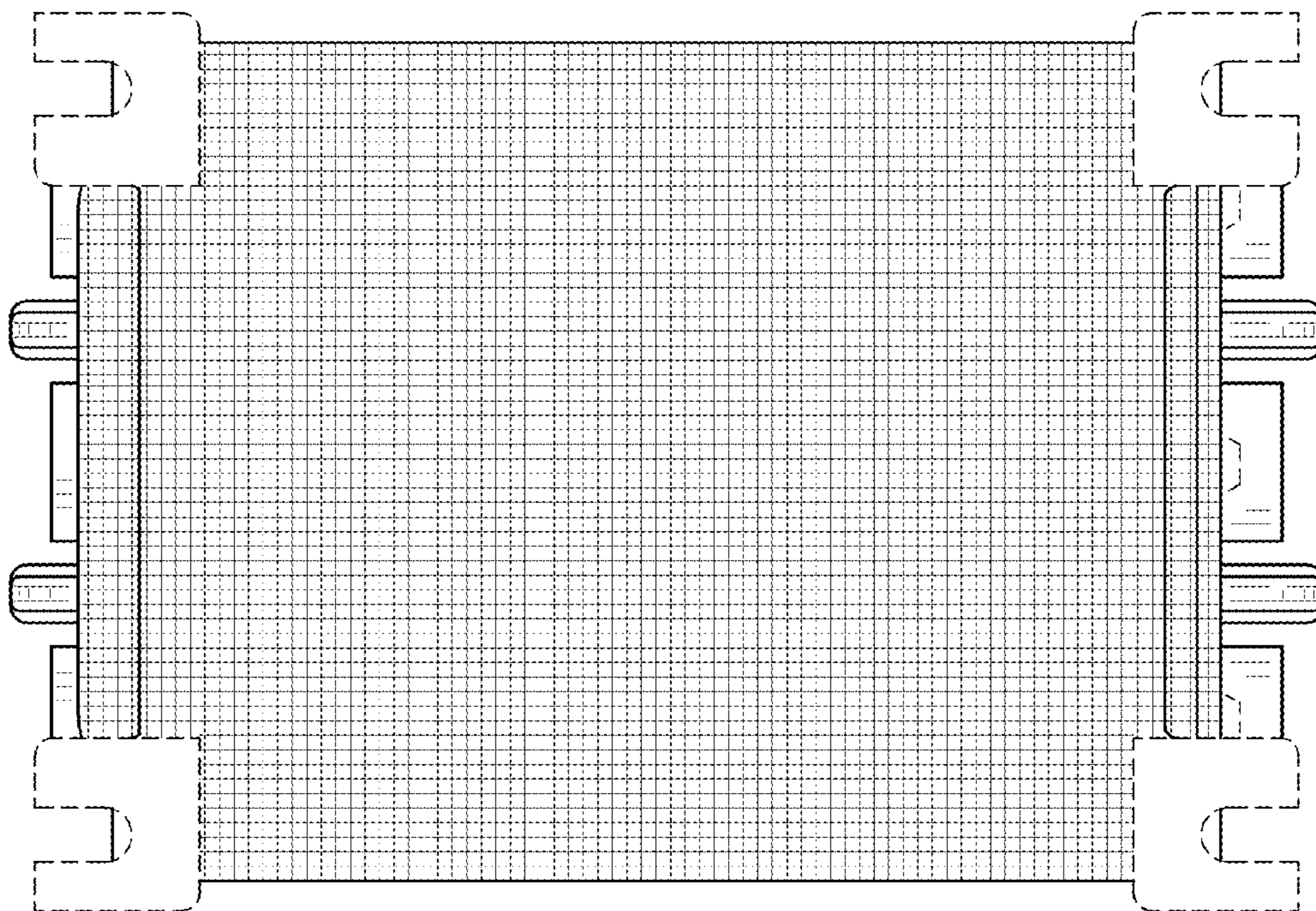


FIG. 7