



US00D753065S

(12) **United States Design Patent**
Corona

(10) **Patent No.:** **US D753,065 S**
(45) **Date of Patent:** **** Apr. 5, 2016**

- (54) **ELECTRICAL CONNECTOR**
- (71) Applicant: **DSM&T Company, Inc.**, Fontana, CA (US)
- (72) Inventor: **Sergio Corona**, Upland, CA (US)
- (73) Assignee: **DSM&T Company, Inc.**, Fontana, CA (US)
- (**) Term: **14 Years**
- (21) Appl. No.: **29/511,398**
- (22) Filed: **Dec. 10, 2014**
- (51) **LOC (10) Cl.** **13-03**
- (52) **U.S. Cl.**
USPC **D13/146**
- (58) **Field of Classification Search**
USPC D13/133, 146, 147, 154, 184, 199
See application file for complete search history.

D560,610 S *	1/2008	McCoy	D13/133
7,390,210 B2	6/2008	Corona		
7,785,123 B2	8/2010	Corona		
D677,629 S	3/2013	Corona		
D678,200 S	3/2013	Corona		
D678,201 S *	3/2013	Corona	D13/133
D678,202 S	3/2013	Corona		
D678,203 S	3/2013	Corona		
D678,204 S	3/2013	Corona		
D729,169 S *	5/2015	Corona	D13/146
D735,671 S *	8/2015	Kuhnert	D13/146

* cited by examiner

Primary Examiner — Daniel Bui

(74) *Attorney, Agent, or Firm* — Keusey & Associates, P.C.

(57) **CLAIM**

The ornamental design for an electrical connector, as shown and described.

DESCRIPTION

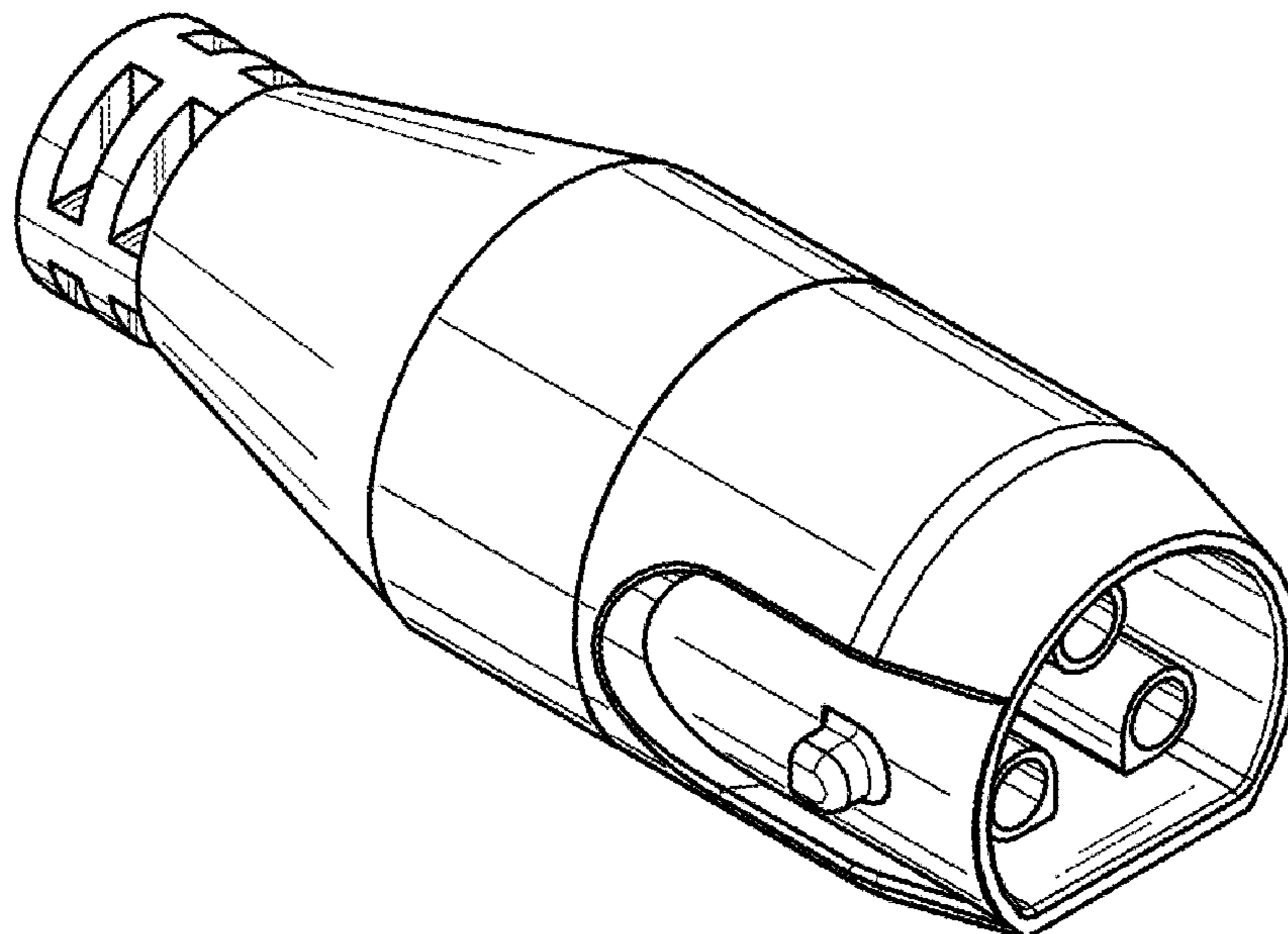
FIG. 1 is a top, front and left side perspective view of an electrical connector showing my new design; FIG. 2 is a right side elevational view thereof. FIG. 3 is a left side elevational view thereof. FIG. 4 is a bottom plan view thereof. FIG. 5 is a top plan view thereof. FIG. 6 is a front elevation view thereof; and, FIG. 7 is a rear elevation view thereof. The broken line in the figure drawing views is for the purpose of illustrating unclaimed environment only and forms no part of the claimed design.

1 Claim, 2 Drawing Sheets

(56) **References Cited**

U.S. PATENT DOCUMENTS

D188,419 S *	7/1960	Danesi	D13/146
5,401,181 A	3/1995	Wilson		
D360,871 S	8/1995	Wilson		
D360,872 S	8/1995	Wilson		
D437,828 S	2/2001	Corona		
D439,221 S	3/2001	Corona		
D445,763 S	7/2001	Corona		
D446,186 S	8/2001	Corona		
6,379,169 B1	4/2002	Corona		
6,383,003 B1	5/2002	Corona		
D472,523 S *	4/2003	Hansen	D13/146



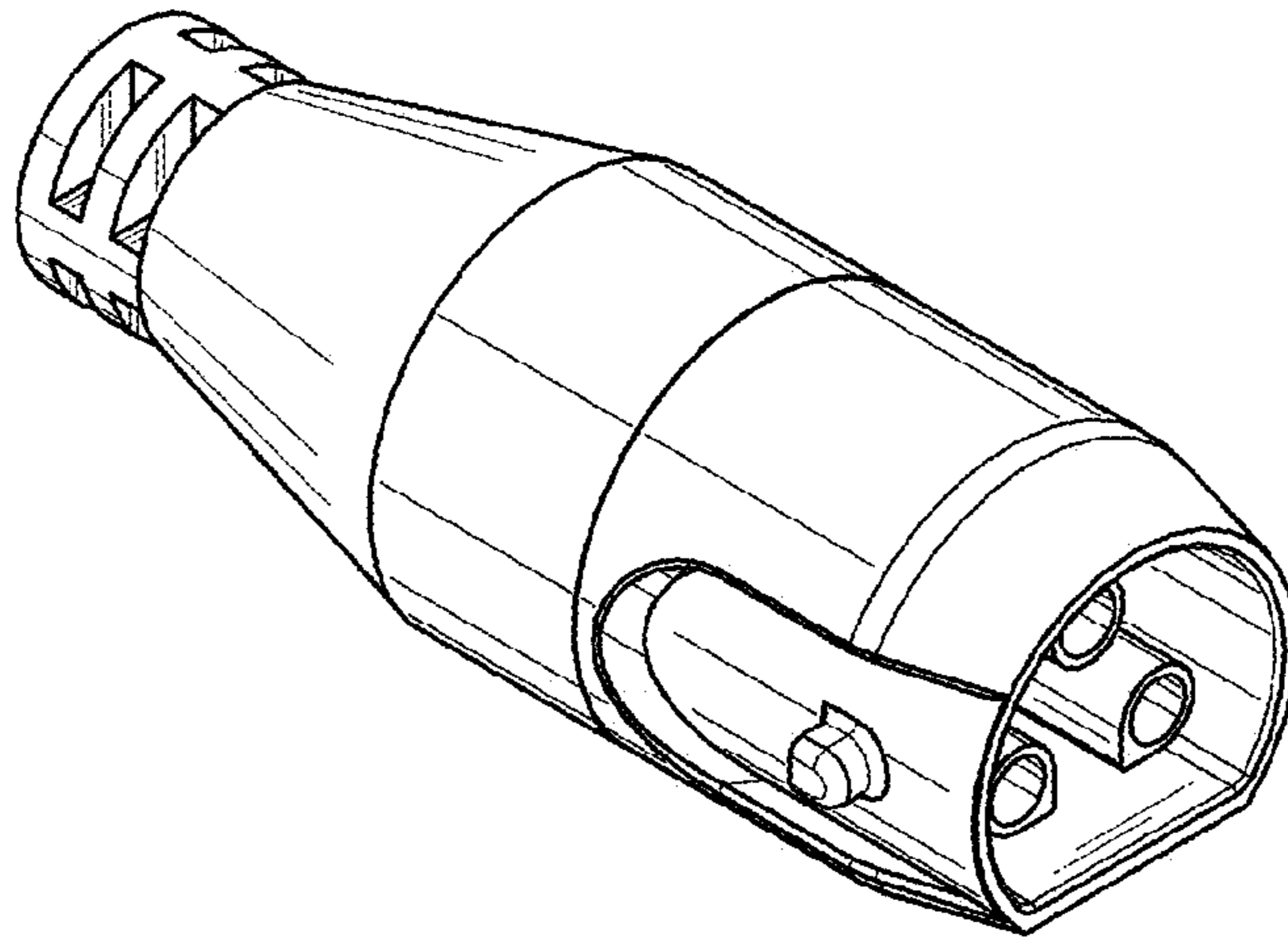


FIG. 1

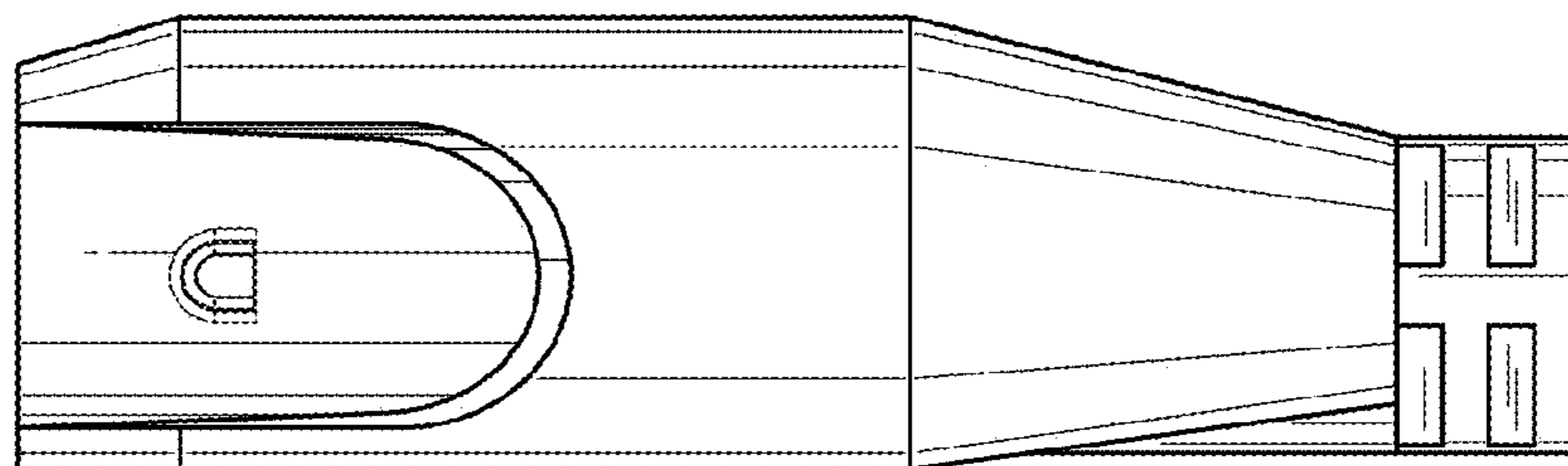


FIG. 2

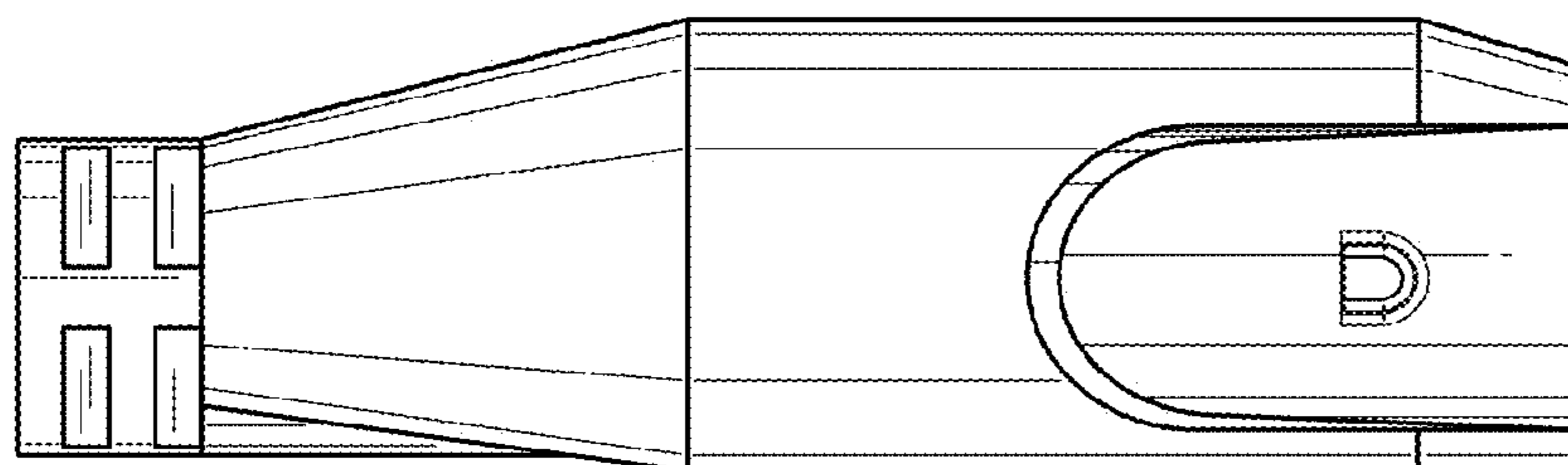


FIG. 3

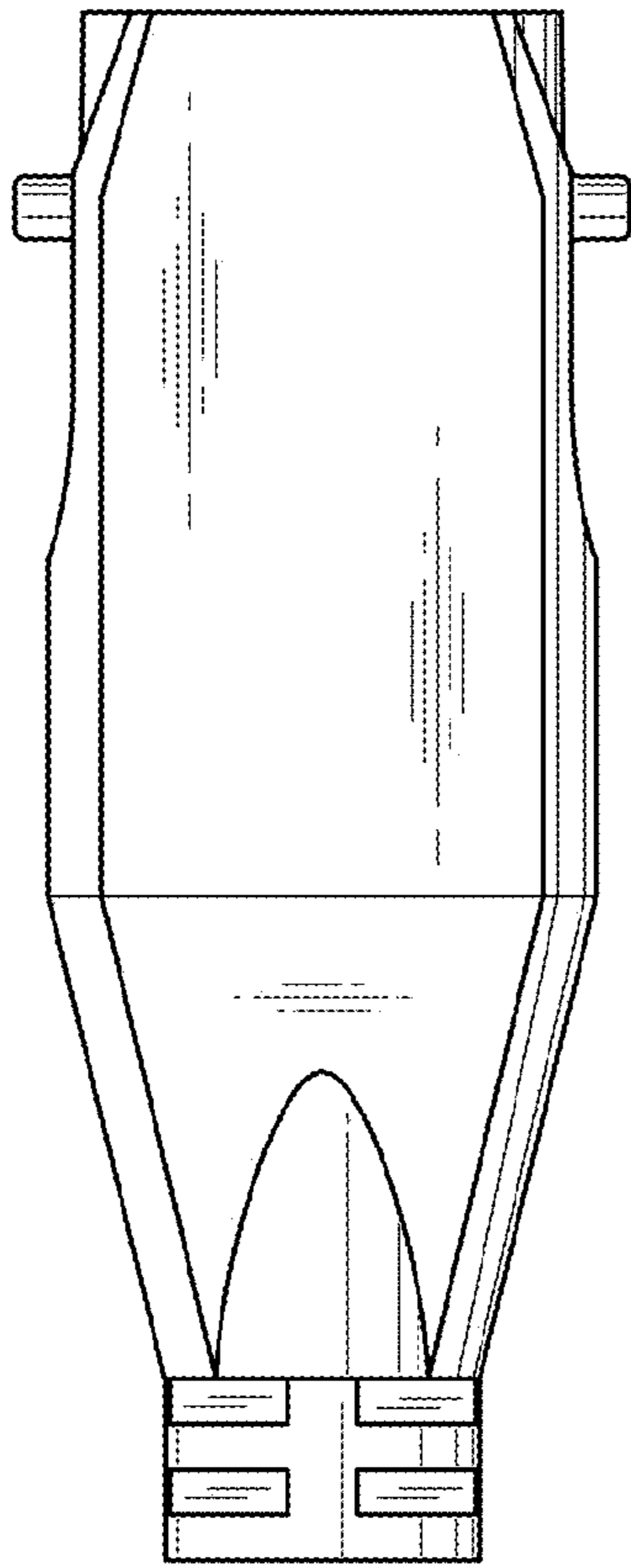


FIG. 4

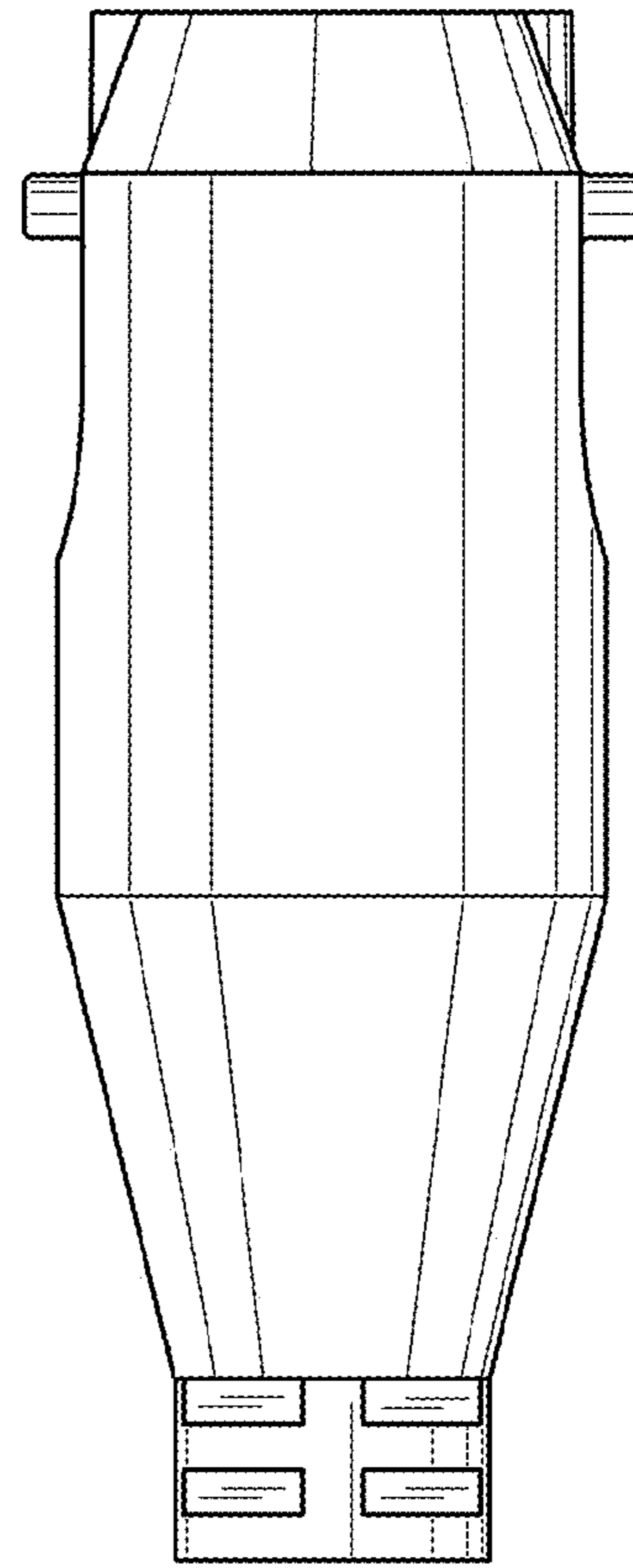


FIG. 5

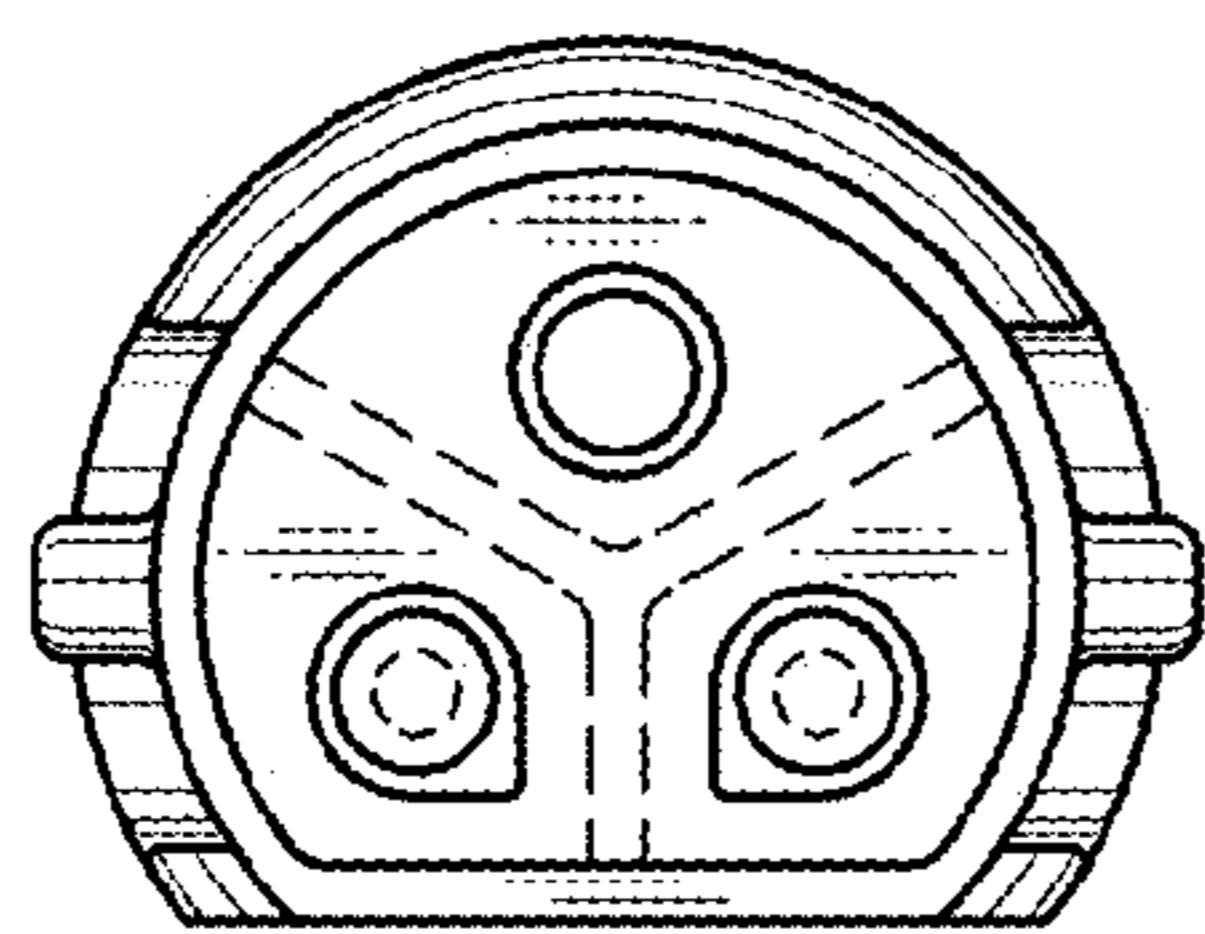


FIG. 6

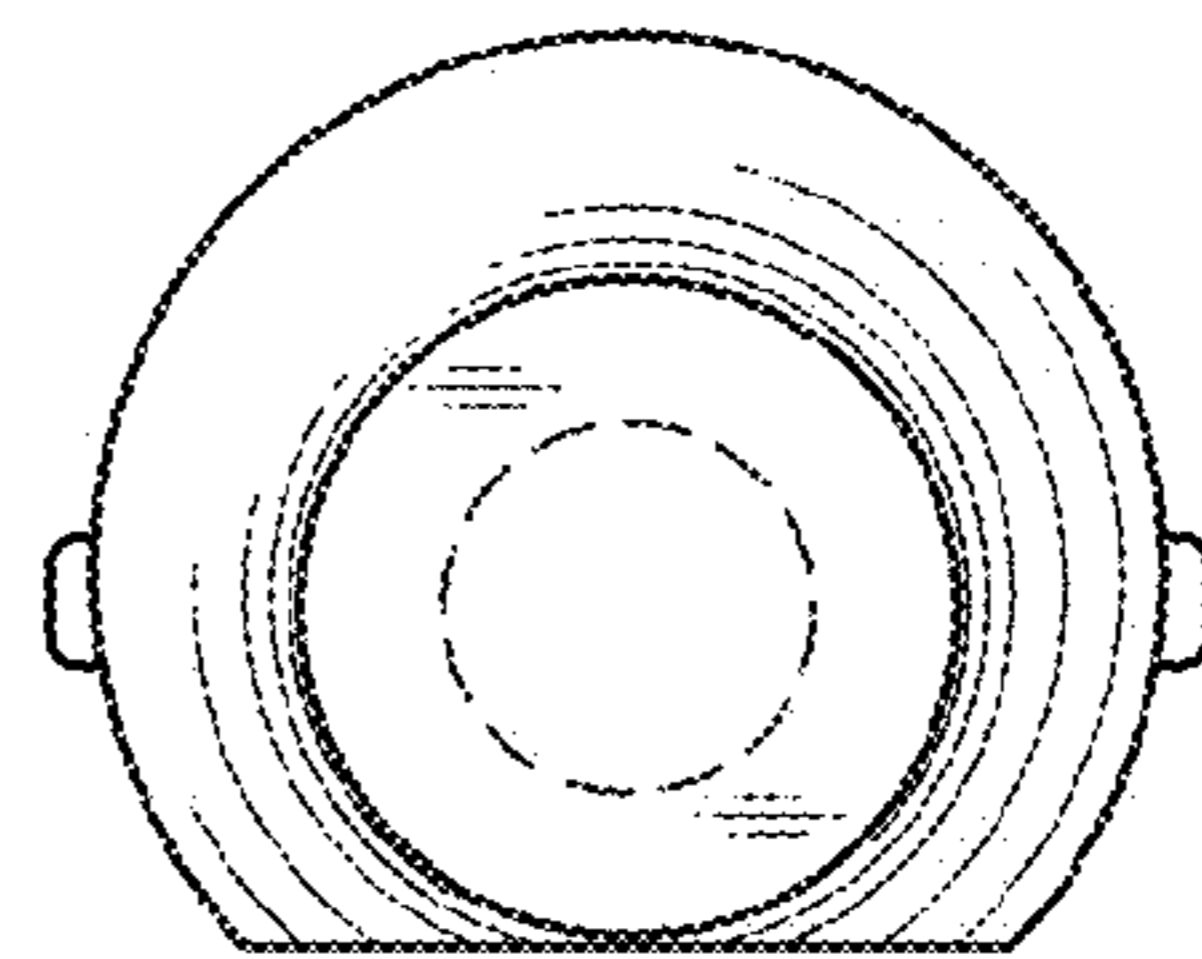


FIG. 7