



US00D753064S

(12) **United States Design Patent**
Yu

(10) **Patent No.:** **US D753,064 S**

(45) **Date of Patent:** **** Apr. 5, 2016**

(54) **PLUG AND SOCKET**

(71) Applicant: **Ningbo Well Electric Appliance Co., Ltd., Yuyao (CN)**

(72) Inventor: **Guolin Yu, Yuyao (CN)**

(73) Assignee: **Ningbo Well Electric Appliance Co., Ltd., Yuyao (CN)**

(**) Term: **14 Years**

(21) Appl. No.: **29/506,409**

(22) Filed: **Oct. 15, 2014**

(30) **Foreign Application Priority Data**

Aug. 12, 2014 (CN) 2014 3 0283363
Aug. 12, 2014 (CN) 2014 3 0283756

(51) **LOC (10) Cl.** **13-03**

(52) **U.S. Cl.**
USPC **D13/146**

(58) **Field of Classification Search**
USPC D13/137.01, 137.3, 138.1, 138.2, 139.1,
D13/133, 146, 147, 154, 184, 199

See application file for complete search history.

(56) **References Cited**

U.S. PATENT DOCUMENTS

D511,748 S *	11/2005	Caine	D13/154
D549,651 S *	8/2007	Mancari	D13/138.2
D592,141 S *	5/2009	Mancari	D13/139.1
D602,434 S *	10/2009	Mancari	D13/139.1
D635,515 S *	4/2011	Atwell	D13/138.2
D638,359 S *	5/2011	Atwell	D13/138.2
D664,095 S *	7/2012	Benedict	D13/138.2
2015/0357759 A1 *	12/2015	Liu	H01R 13/6335 439/152

* cited by examiner

Primary Examiner — Daniel Bui

(74) *Attorney, Agent, or Firm* — Wang Law Firm, Inc.

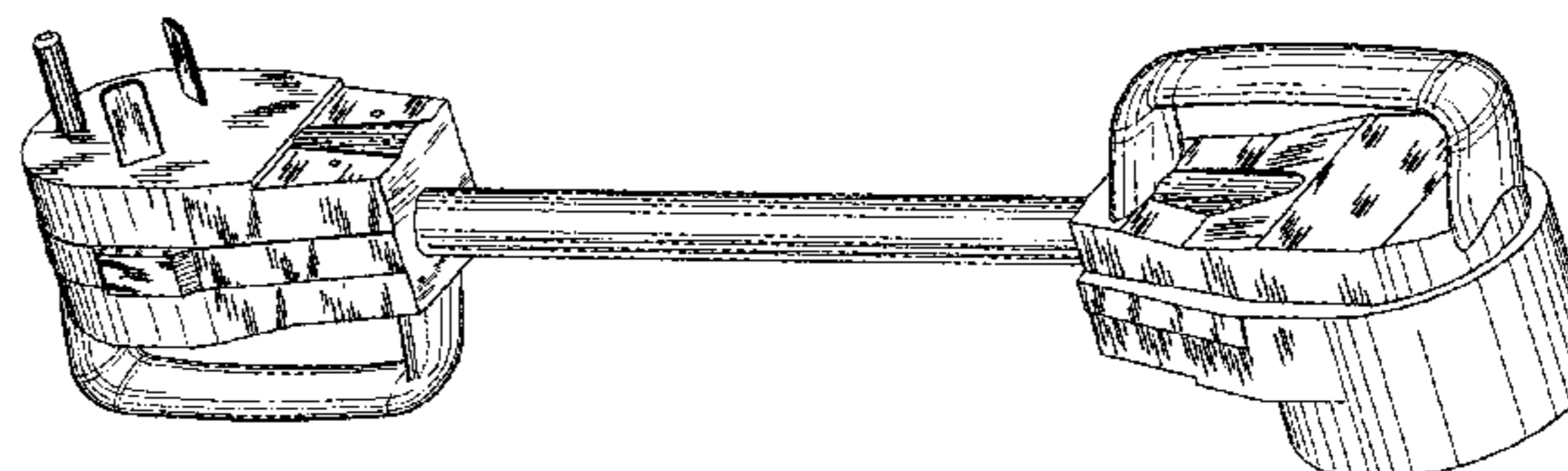
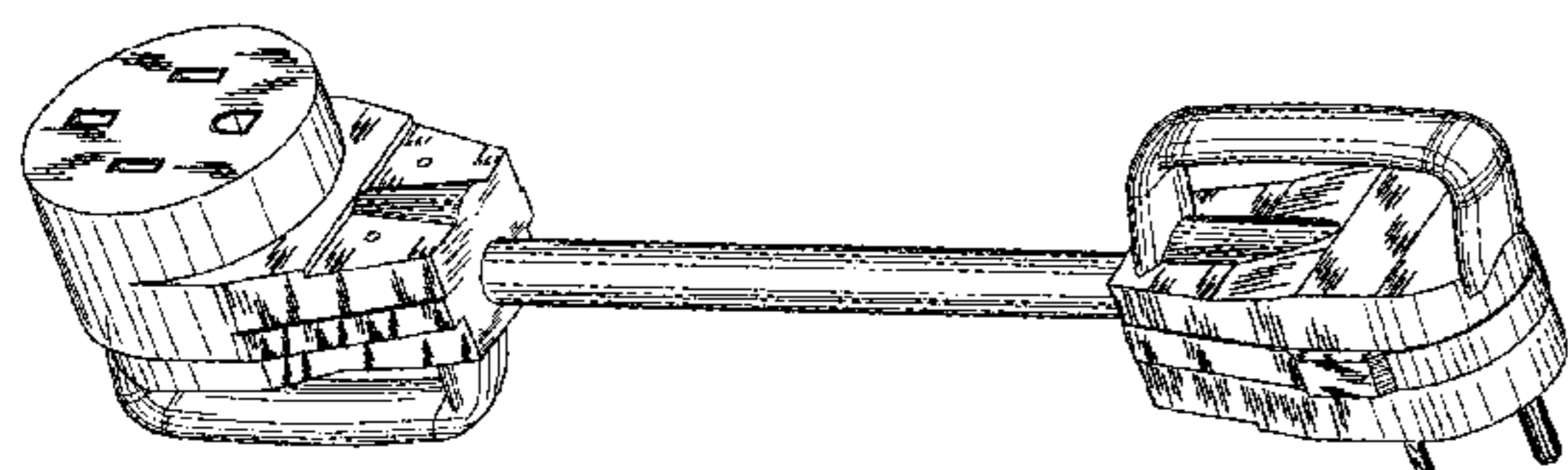
(57) **CLAIM**

The ornamental design for a plug and socket, as shown and described.

DESCRIPTION

FIG. 1 is a left side elevation view of a plug and socket showing my new design;
FIG. 2 is a front elevation view thereof;
FIG. 3 is a rear elevation view thereof;
FIG. 4 is a bottom plan view thereof;
FIG. 5 is a top plan view thereof;
FIG. 6 is a top, left and rear perspective view thereof; and,
FIG. 7 is a bottom, right and front perspective view thereof.

1 Claim, 3 Drawing Sheets



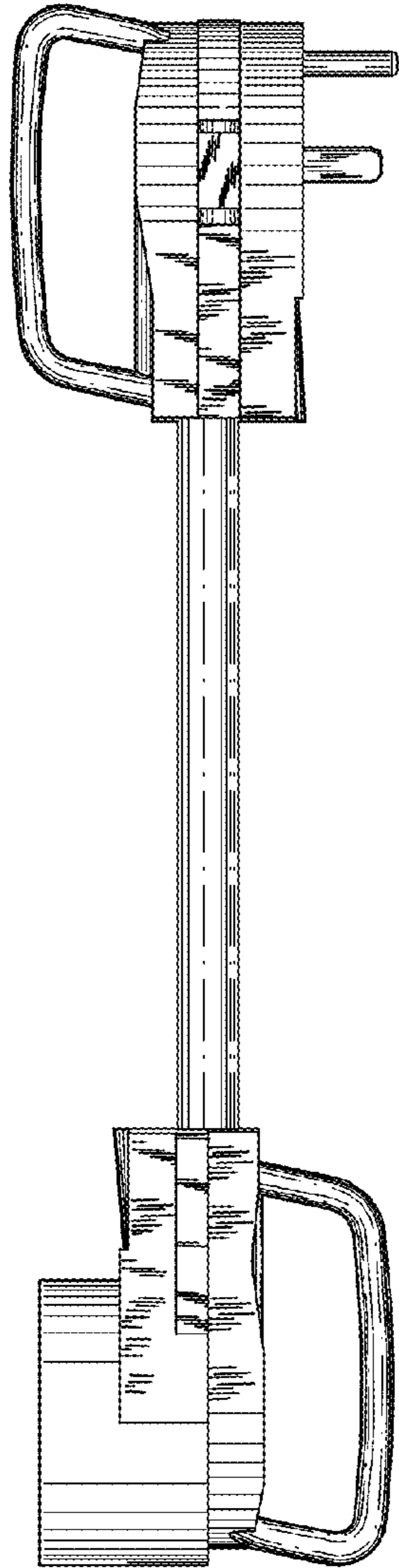


FIG. 1

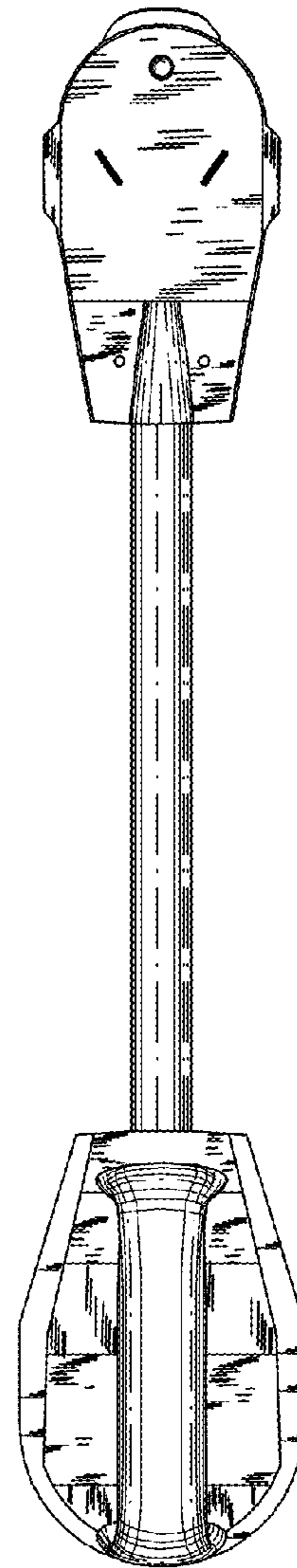


FIG. 2

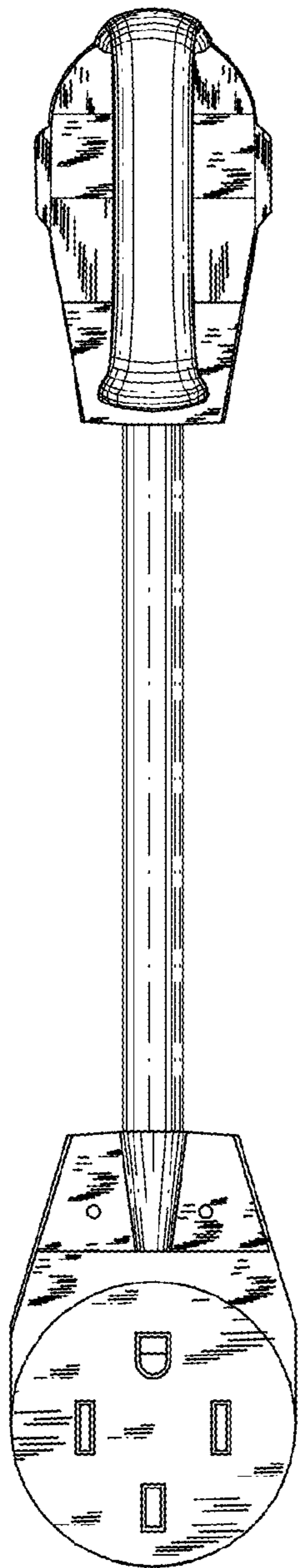


FIG. 3

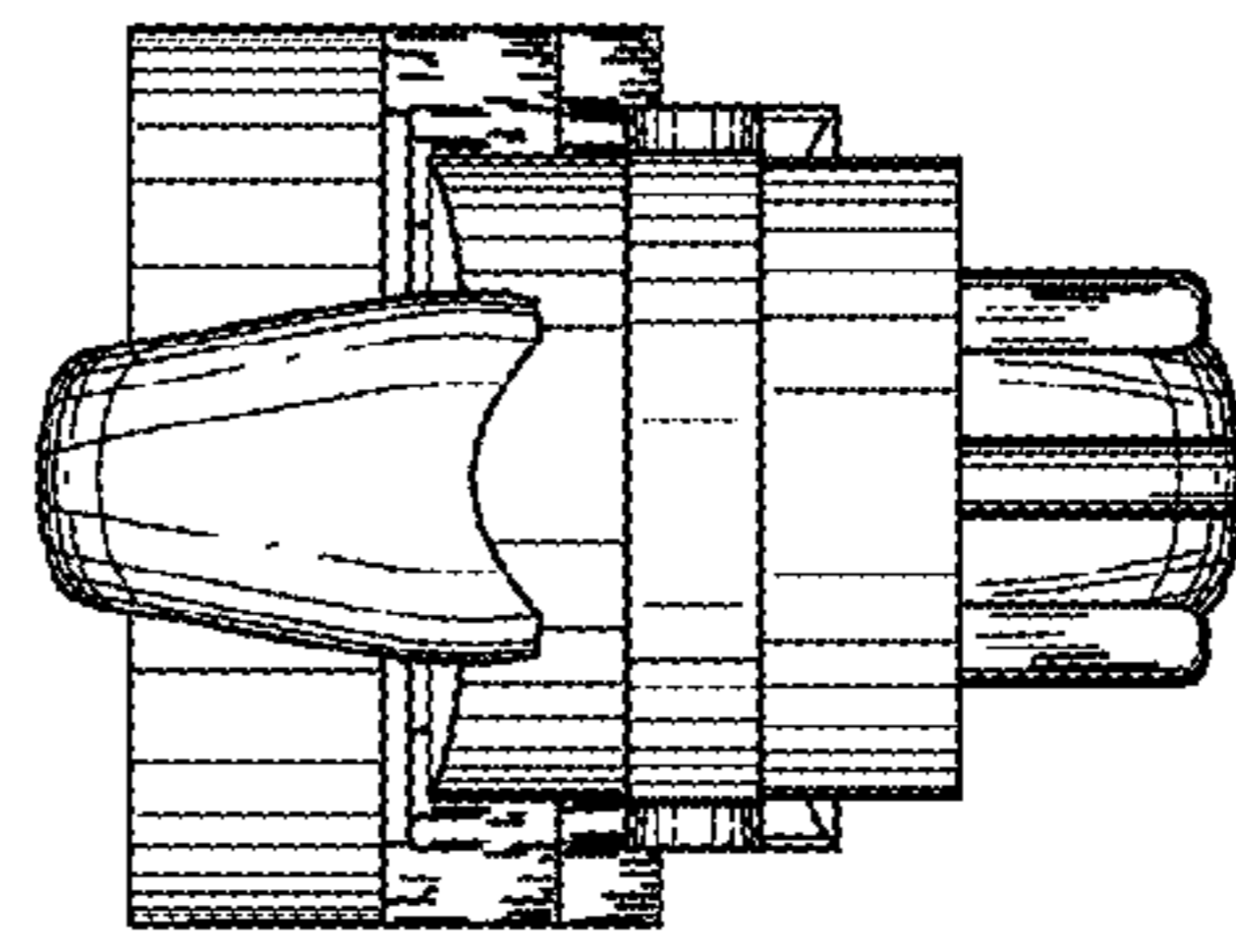


FIG. 5

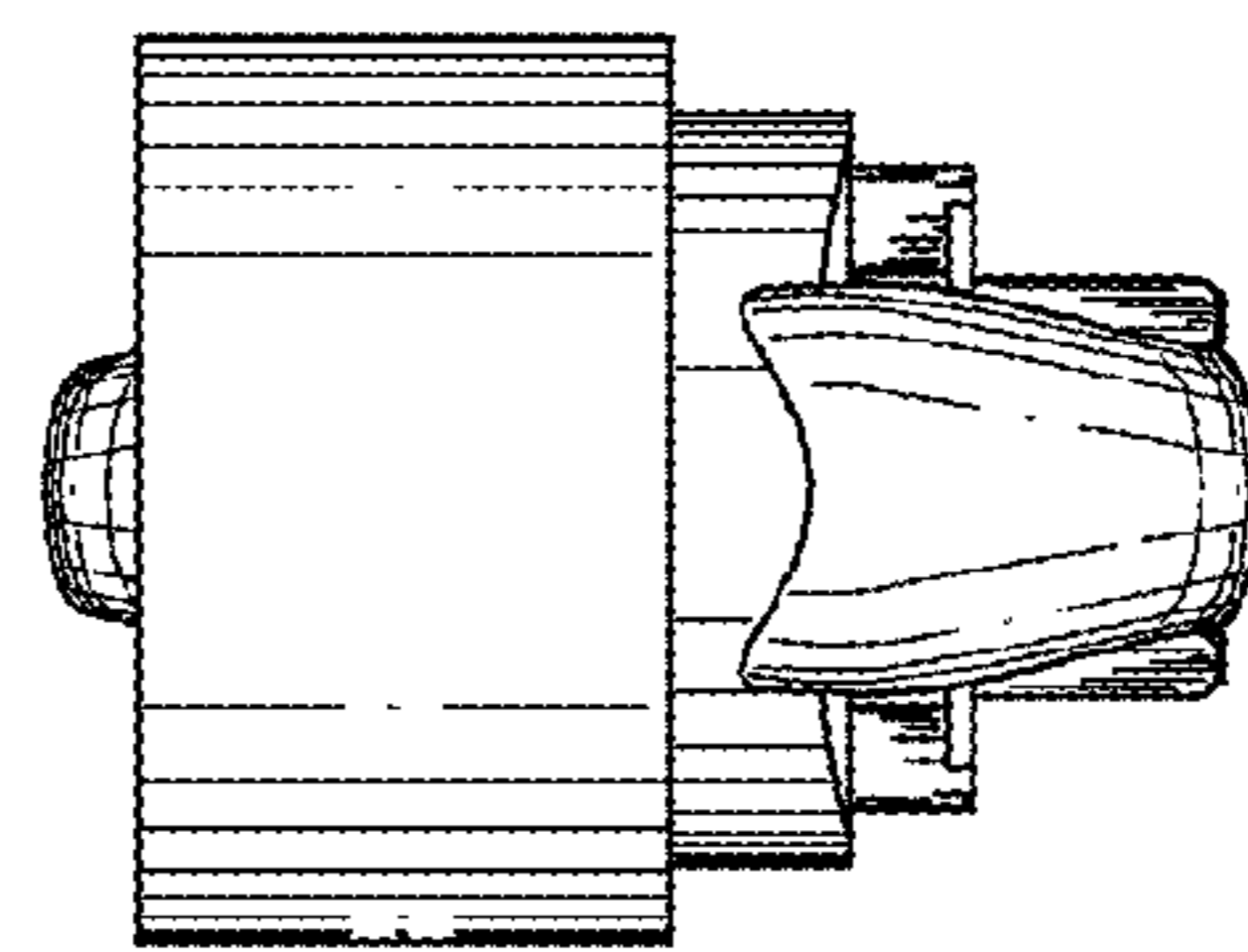


FIG. 4

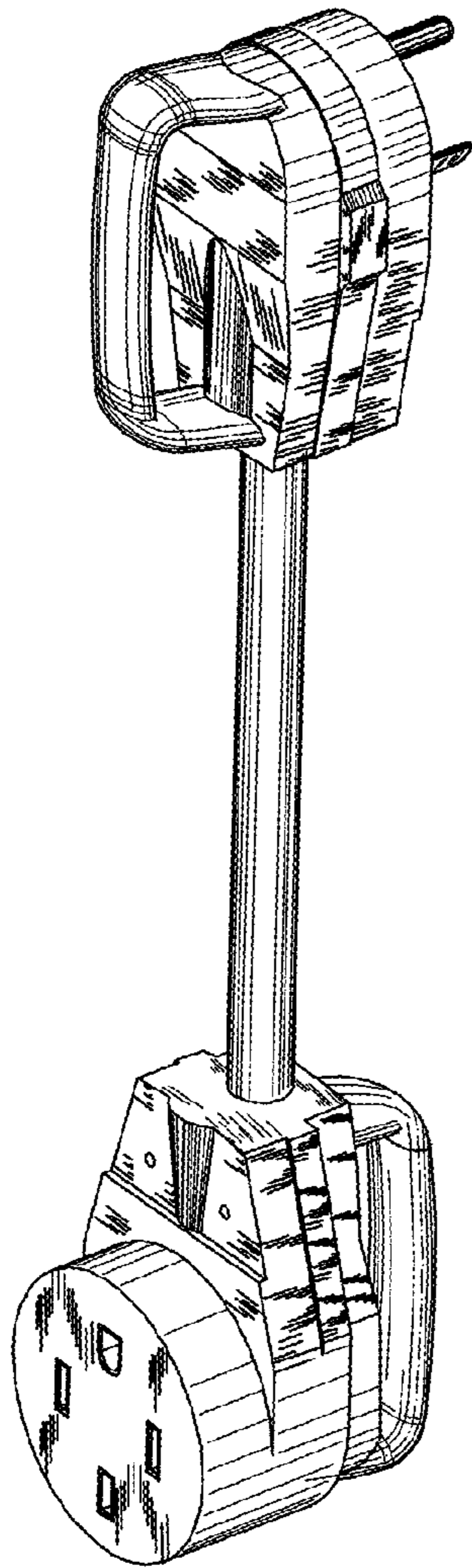


FIG. 6

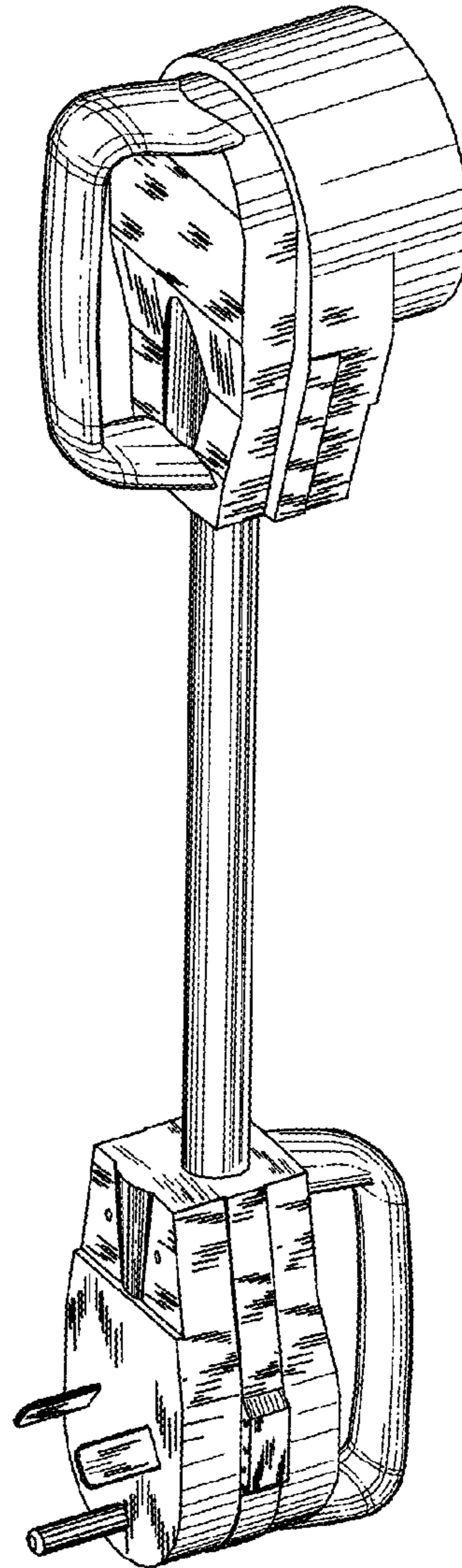


FIG. 7