



US00D753061S

(12) **United States Design Patent**
Loveday

(10) **Patent No.:** **US D753,061 S**

(45) **Date of Patent:** **** Apr. 5, 2016**

(54) **TRANSDUCER**

(71) Applicant: **CSIR, Pretoria (ZA)**

(72) Inventor: **Philip Wayne Loveday, Midrand (ZA)**

(73) Assignee: **CSIR, Pretoria (ZA)**

(**) Term: **14 Years**

(21) Appl. No.: **29/509,603**

(22) Filed: **Nov. 19, 2014**

(30) **Foreign Application Priority Data**

Jun. 3, 2014 (ZA) F2014/00905

(51) **LOC (10) Cl.** **13-02**

(52) **U.S. Cl.**
USPC **D13/110**

(58) **Field of Classification Search**
USPC D13/110, 101, 117, 123, 124, 159, 184,
D13/199; D10/75; 76/767, 771, 779, 801,
76/811; 324/117 H, 117 R, 120, 121 R, 127;
361/18, 30, 31, 93.1; 336/173, 176,
336/178; D14/222, 228
CPC H04R 2499/11; H04R 1/28; A61B
17/320068; B06B 1/0618; G01L 19/147;
G01R 15/241

See application file for complete search history.

(56) **References Cited**

U.S. PATENT DOCUMENTS

D245,514 S *	8/1977	Pennebaker	D24/187
4,295,116 A *	10/1981	Studlien	338/4
D281,623 S *	12/1985	Barnes	D24/187
4,576,049 A *	3/1986	Kohnlechner	73/706
4,621,171 A *	11/1986	Wada et al.	381/113
4,772,983 A *	9/1988	Kerber et al.	361/283.1
D306,144 S *	2/1990	Haggstrom	D10/83

D329,615 S *	9/1992	Stiner	D10/46
D333,468 S *	2/1993	Hansen	D14/222
D338,187 S *	8/1993	Barrett, Jr.	D13/101
D348,616 S *	7/1994	Apigian et al.	D10/46
D370,422 S *	6/1996	Libby	D10/83
D377,936 S *	2/1997	Imahori	D14/222
D380,440 S *	7/1997	Talish et al.	D13/101
D387,768 S *	12/1997	Sone	D14/222
D409,202 S *	5/1999	Sone	D14/222
D457,491 S *	5/2002	Kaiser et al.	D13/101
D480,353 S *	10/2003	Takahashi	D13/101
D578,062 S *	10/2008	Gotoh	D13/110
D634,307 S *	3/2011	Arpe	D14/228
D724,981 S *	3/2015	Schreiber et al.	D10/85
2001/0001123 A1 *	5/2001	Madan et al.	606/169
2004/0122451 A1 *	6/2004	Wood	606/148

* cited by examiner

Primary Examiner — Derrick Holland

Assistant Examiner — Jennifer O King

(74) *Attorney, Agent, or Firm* — The Webb Law Firm

(57) **CLAIM**

The ornamental design for a transducer, as shown and described.

DESCRIPTION

FIG. 1 is an upper perspective view of a transducer, showing my new design;

FIG. 2 is a front view thereof;

FIG. 3 is a right side view thereof;

FIG. 4 is a rear view thereof;

FIG. 5 is a left side view thereof;

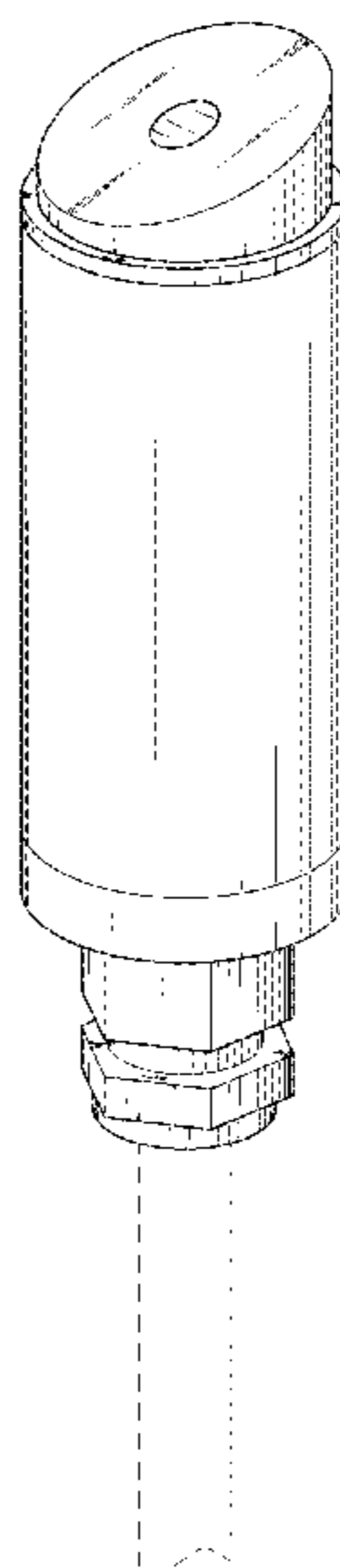
FIG. 6 is a top view thereof;

FIG. 7 is a bottom view thereof; and,

FIG. 8 is a cross-sectional side view thereof, taken along line 8-8 of FIG. 2.

The broken lines shown represent unclaimed subject matter and form no part of the claimed design.

1 Claim, 4 Drawing Sheets



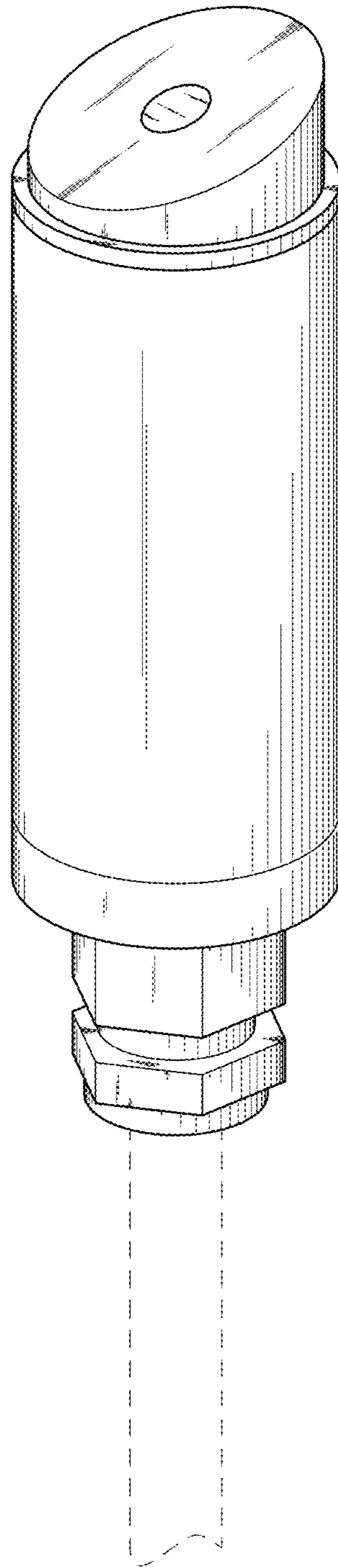


FIG. 1

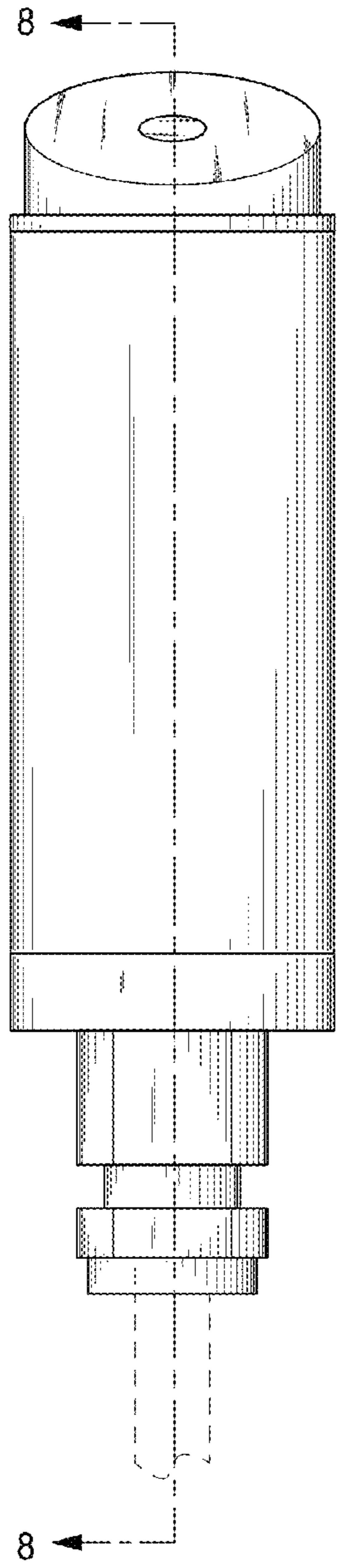


FIG. 2

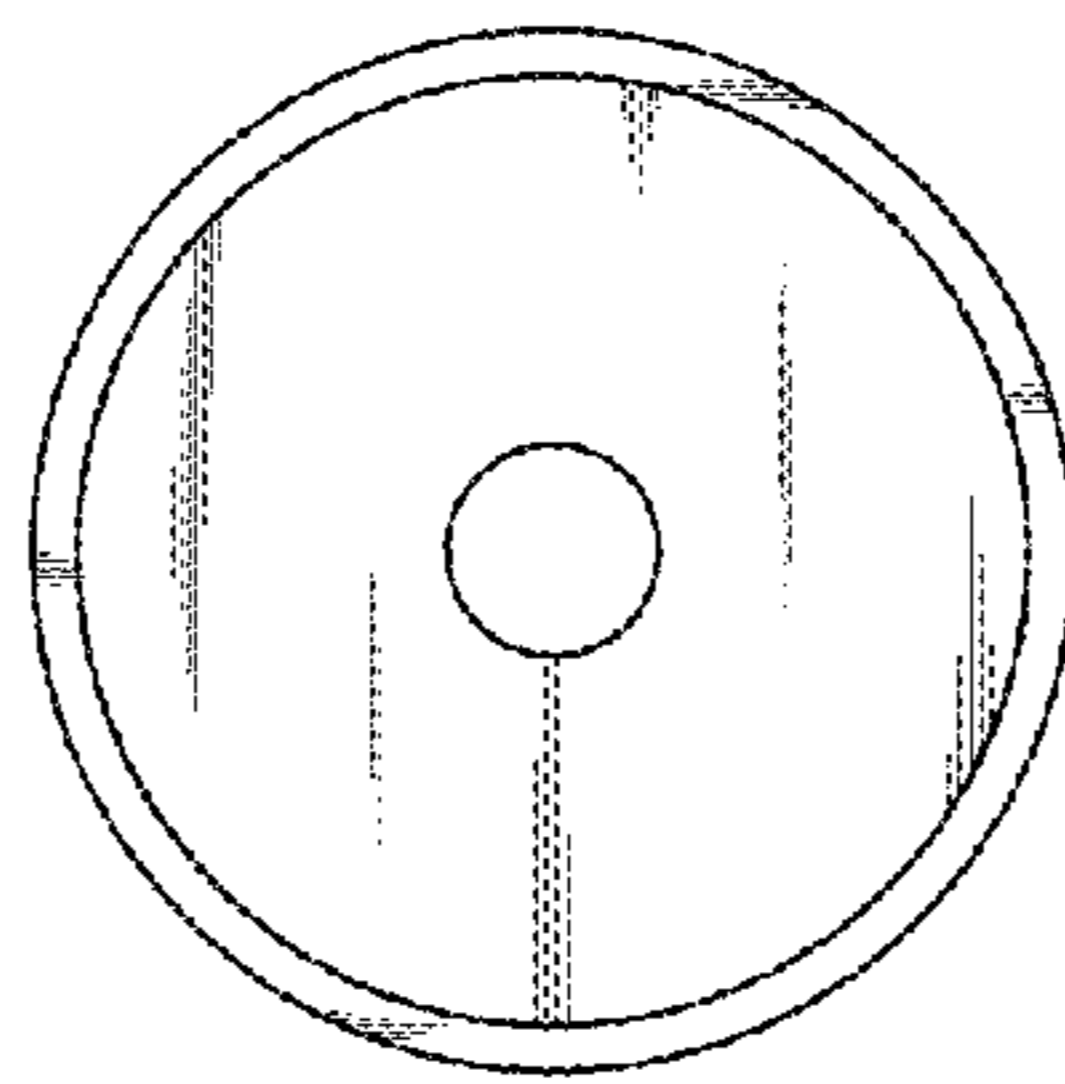


FIG. 6

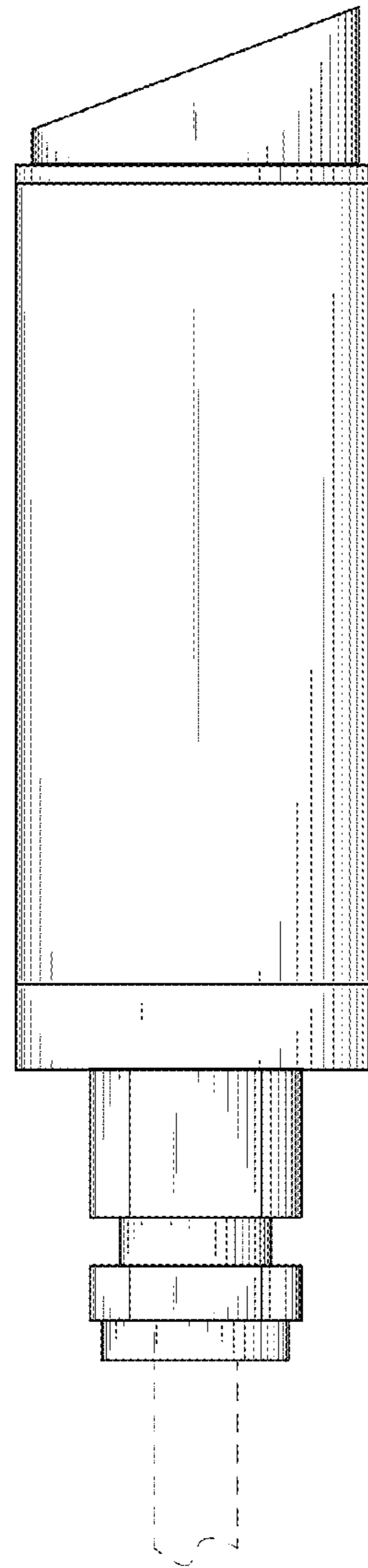


FIG. 3

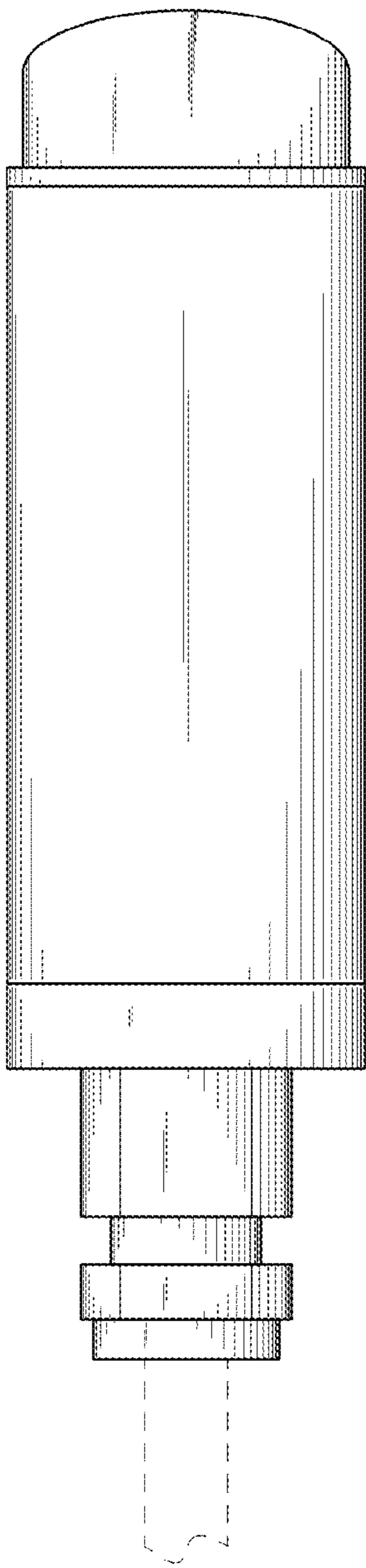


FIG. 4

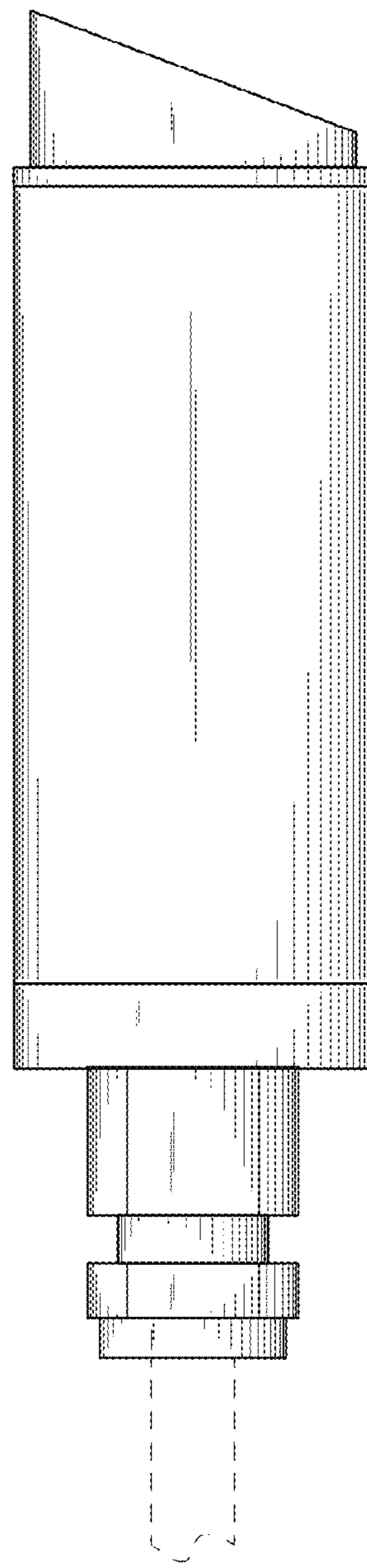


FIG. 5

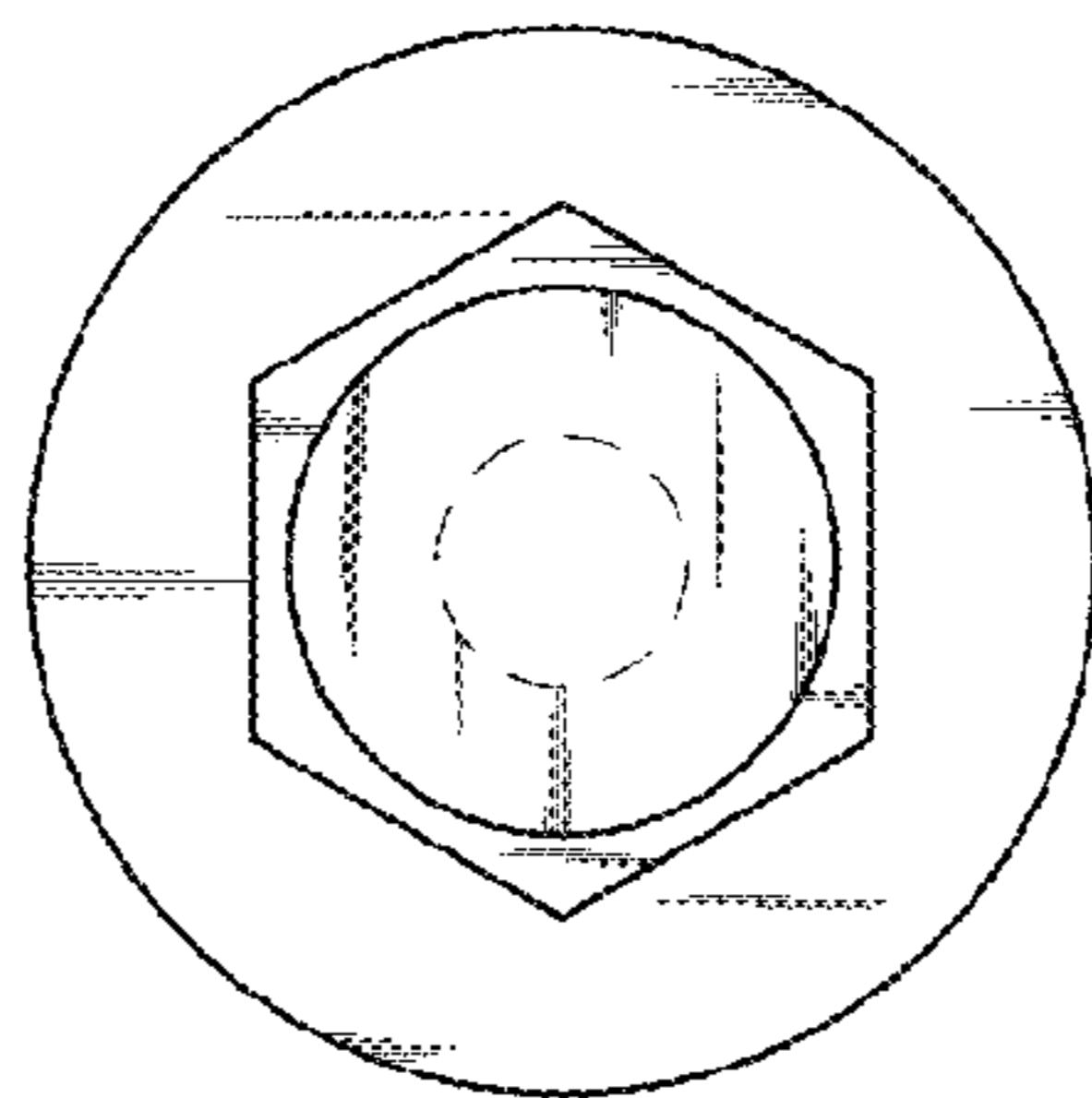


FIG. 7

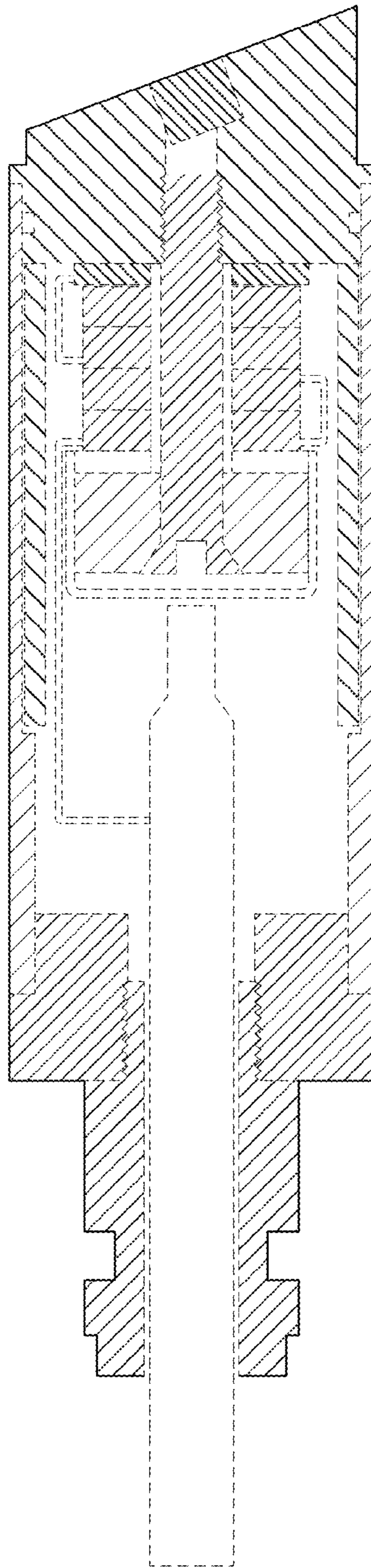


FIG. 8