



US00D753060S

(12) **United States Design Patent**
Miller et al.

(10) **Patent No.:** **US D753,060 S**
(45) **Date of Patent:** **** Apr. 5, 2016**

- (54) **CABLE CONNECTOR ASSEMBLY**
- (71) Applicants: **Garold C. Miller**, Glastonbury, CT (US); **Nathan Daniel Weinstein**, Glastonbury, CT (US)
- (72) Inventors: **Garold C. Miller**, Glastonbury, CT (US); **Nathan Daniel Weinstein**, Glastonbury, CT (US)
- (73) Assignee: **Halo2Cloud, LLC**, Glastonbury, CT (US)
- (**) Term: **14 Years**
- (21) Appl. No.: **29/504,192**
- (22) Filed: **Oct. 2, 2014**
- (51) **LOC (10) Cl.** **13-02**
- (52) **U.S. Cl.**
USPC **D13/110**
- (58) **Field of Classification Search**
USPC D13/110, 129, 133, 149, 151, 153-156, D13/184, 199; 439/271, 275, 277, 283, 285, 439/279 R, 282; 174/74 R, 71 C, 650, 656, 174/665, 659; D8/354, 355
CPC H01R 4/10; H01R 4/18; H01R 4/38; H01R 4/40; H01R 4/64; H01R 9/034
See application file for complete search history.

- D644,999 S * 9/2011 Lee D13/147
- D692,390 S * 10/2013 Smith D13/133
- D705,178 S * 5/2014 Olsson D13/153
- D720,692 S * 1/2015 Matsuoka D13/110
- D734,272 S * 7/2015 Dang D13/153
- 2009/0203266 A1* 8/2009 Chuang H01R 24/60
439/701
- 2009/0267562 A1 10/2009 Guccione et al.
- 2014/0338972 A1* 11/2014 Wu H01R 13/6598
174/74 R

* cited by examiner

Primary Examiner — Derrick Holland

Assistant Examiner — Jennifer O King

(74) *Attorney, Agent, or Firm* — McCormick, Paulding & Huber, LLP

(57) **CLAIM**

The ornamental design for a cable connector assembly, substantially as shown and described.

DESCRIPTION

FIG. 1 is a front perspective view of a cable connector assembly comprising a first embodiment of a new, original and ornamental design;

FIG. 2 is a front view thereof;

FIG. 3 is a rear view thereof;

FIG. 4 is a left-hand side view thereof;

FIG. 5 is a right-hand side view thereof;

FIG. 6 is a top view thereof;

FIG. 7 is a bottom view thereof;

FIG. 8 is a front perspective view of a cable connector assembly comprising a second embodiment of a new, original and ornamental design;

FIG. 9 is a front view thereof;

FIG. 10 is a rear view thereof;

FIG. 11 is a left-hand side view thereof;

FIG. 12 is a right-hand side view thereof;

FIG. 13 is a top view thereof; and,

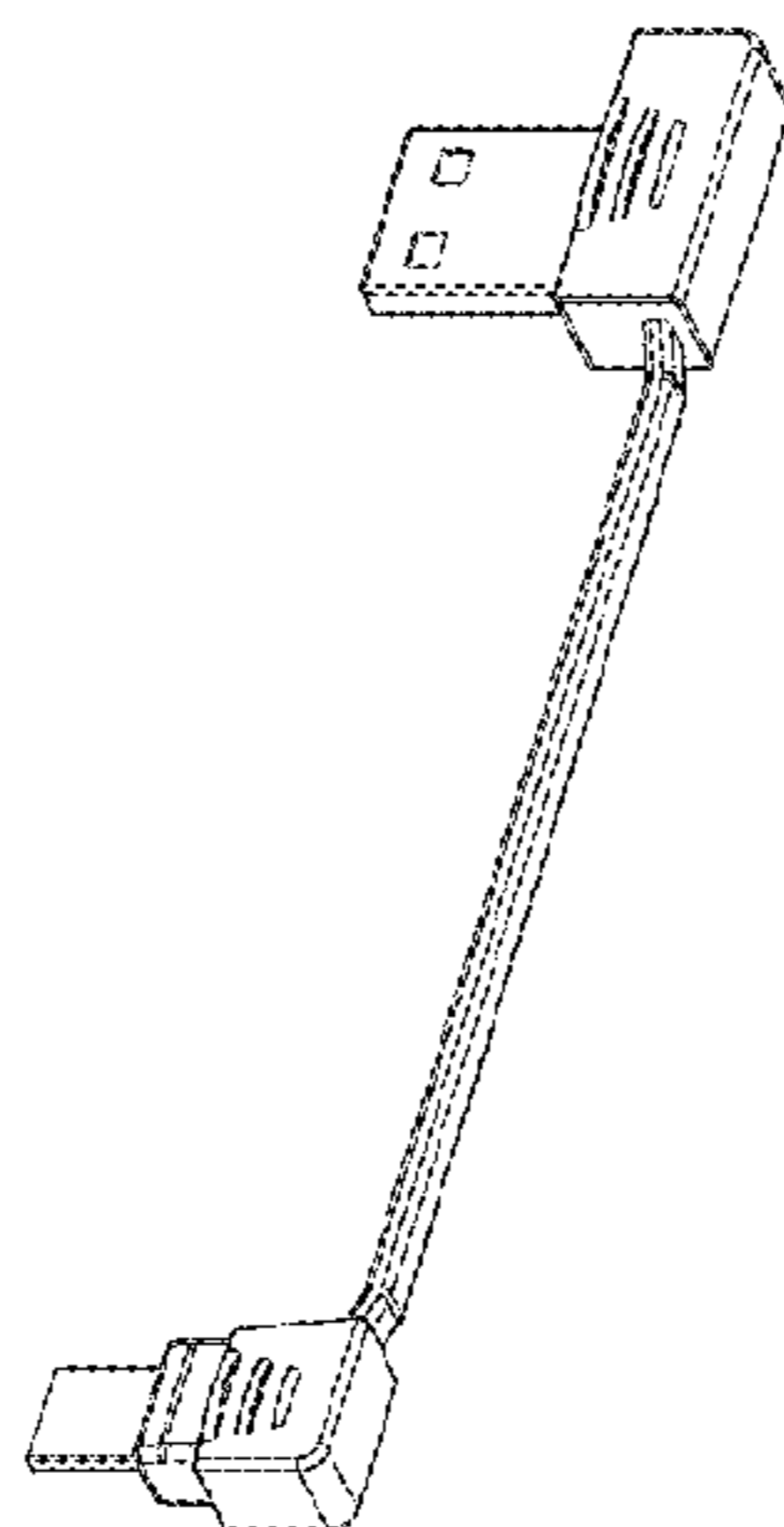
FIG. 14 is a bottom view thereof.

The broken line portion of the figure drawings is included to show unclaimed subject matter only and forms no part of the claimed design.

1 Claim, 2 Drawing Sheets

(56) **References Cited**
U.S. PATENT DOCUMENTS

- D415,111 S * 10/1999 Lee D13/147
- D416,542 S * 11/1999 Tsai D13/147
- D503,152 S * 3/2005 Suckle D13/154
- D522,463 S * 6/2006 Novotney D13/147
- D548,700 S * 8/2007 Ledbetter D13/147
- D559,183 S * 1/2008 Victor D13/133
- D584,238 S * 1/2009 Victor D13/156
- D585,835 S * 2/2009 Jaqua D13/147
- D588,545 S * 3/2009 Andre D13/147
- D592,138 S * 5/2009 Mahaffey et al.
- D609,184 S * 2/2010 Liu D13/147
- D628,535 S 12/2010 Cheng
- D636,337 S 4/2011 Smith et al.



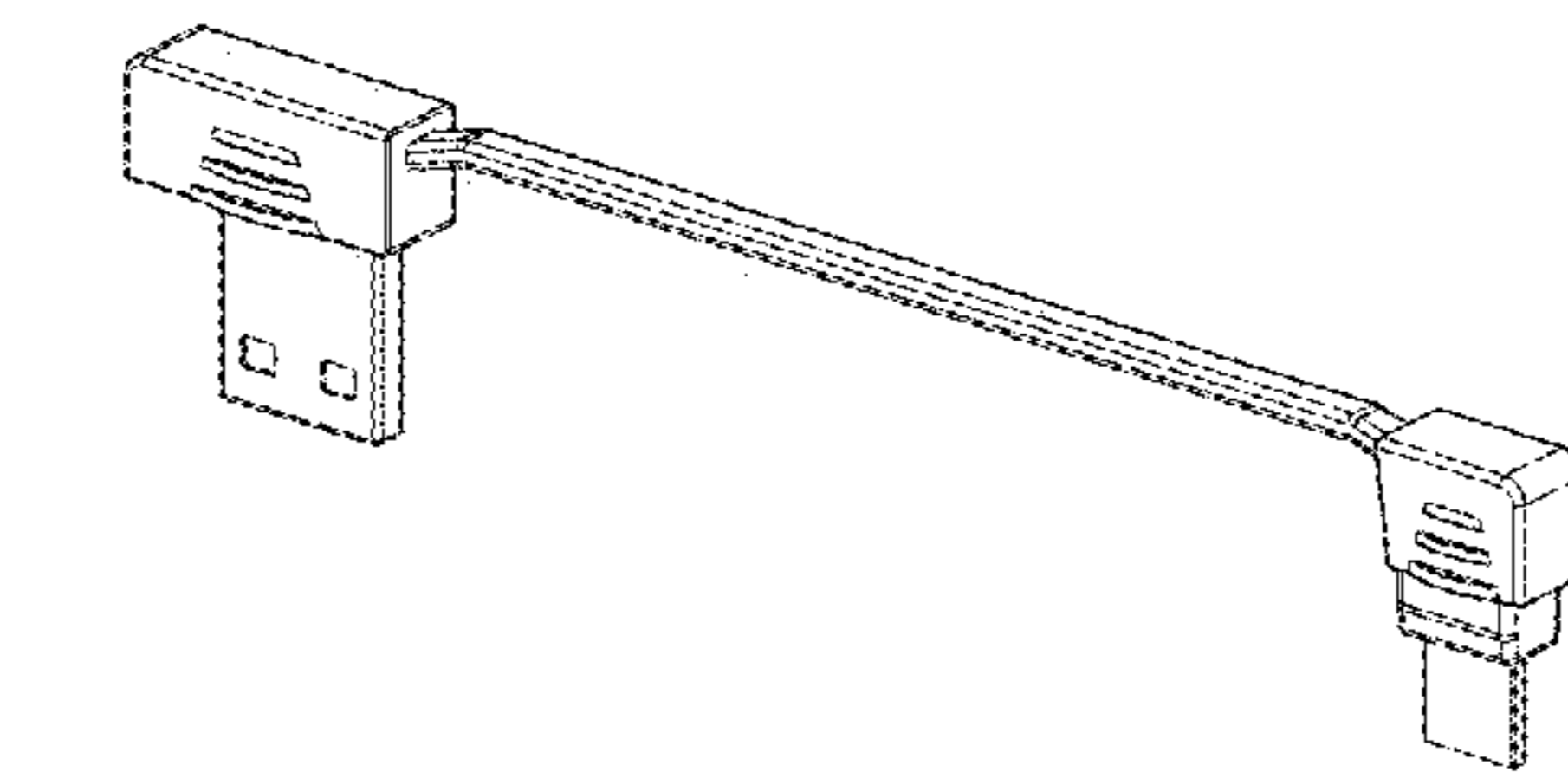


FIG. 1



FIG. 2

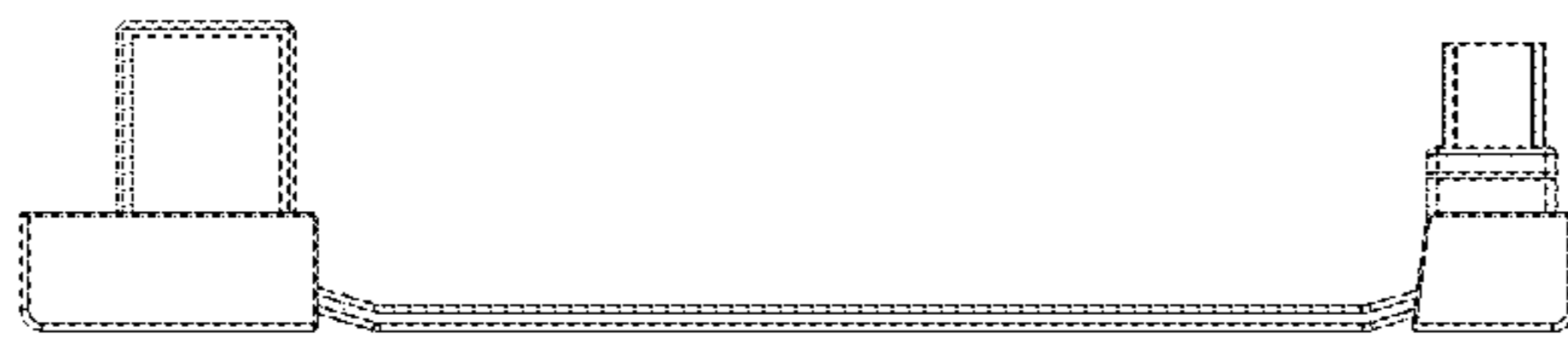


FIG. 3

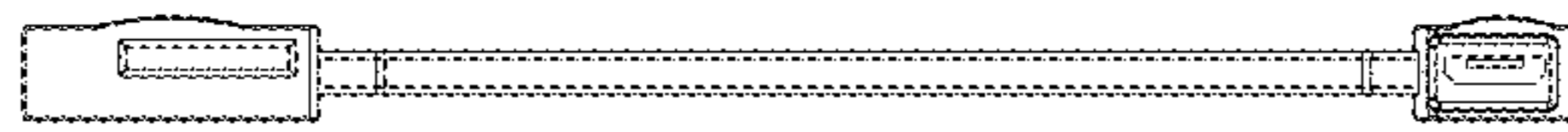


FIG. 4

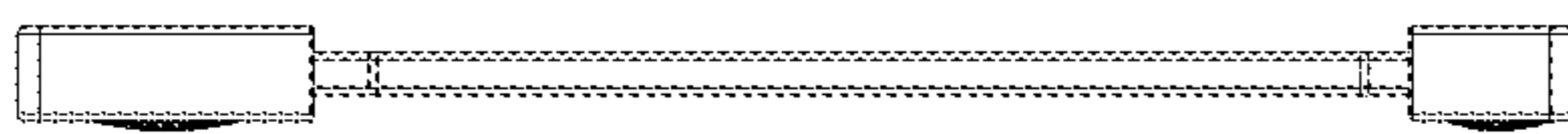


FIG. 5



FIG. 6



FIG. 7

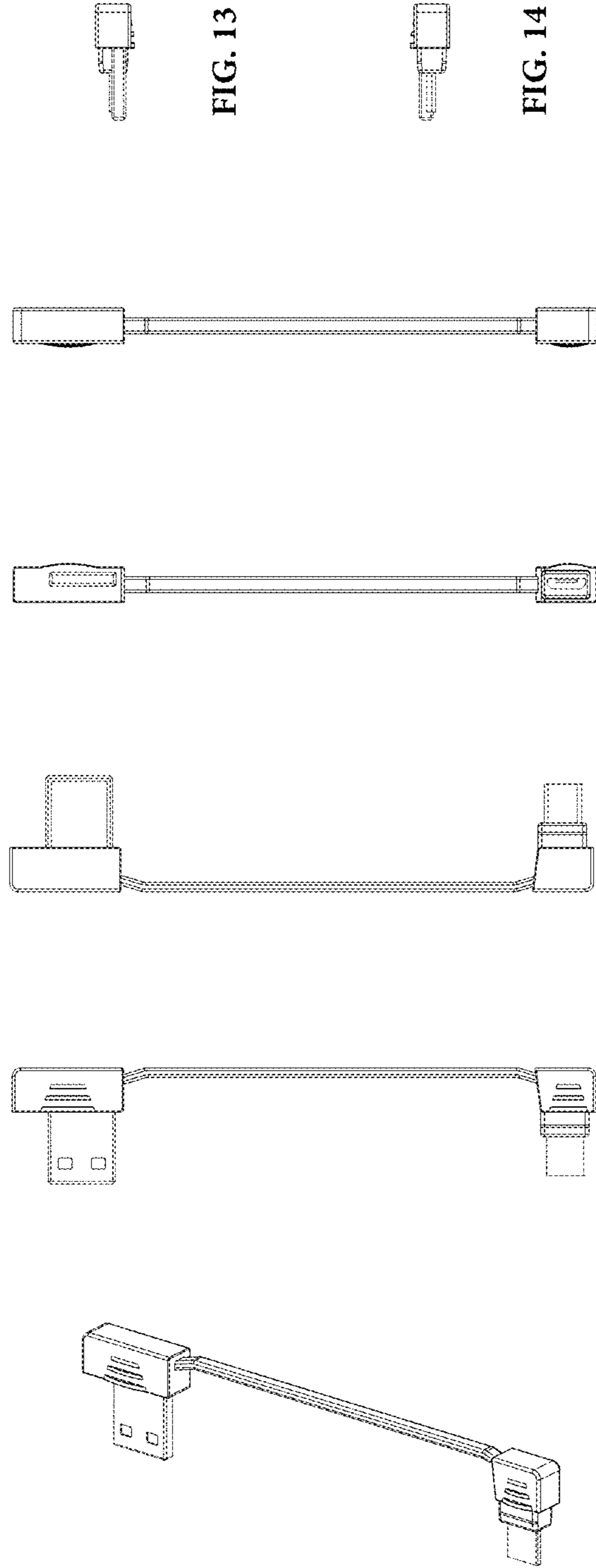


FIG. 8

FIG. 9

FIG. 10

FIG. 11

FIG. 12

FIG. 13

FIG. 14