



US00D753059S

(12) **United States Design Patent**
Krantz et al.

(10) **Patent No.:** **US D753,059 S**
(45) **Date of Patent:** **** Apr. 5, 2016**

(54) **ENERGY STORAGE AND POWER SUPPLY DEVICE**
(71) Applicant: **Goal Zero LLC**, Bluffdale, UT (US)
(72) Inventors: **Norman Krantz**, Draper, UT (US);
Henry J. Howell, Herriman, UT (US)
(73) Assignee: **GOAL ZERO LLC**, Bluffdale, UT (US)
(**) Term: **14 Years**

8,080,972 B2 12/2011 Smith
D651,564 S 1/2012 Workman et al.
D654,856 S * 2/2012 Inskeep D13/107
D664,499 S 7/2012 Workman et al.
D670,244 S 11/2012 Workman et al.
D674,342 S * 1/2013 Ho D13/110
D693,297 S * 11/2013 Inskeep D13/108
D695,680 S 12/2013 Workman et al.
D696,188 S * 12/2013 Loeck et al. D13/108
D699,181 S * 2/2014 Hung et al. D13/108
D701,490 S * 3/2014 Inskeep D13/110

(Continued)

(21) Appl. No.: **29/496,019**
(22) Filed: **Jul. 8, 2014**
(51) **LOC (10) Cl.** **13-02**
(52) **U.S. Cl.**
USPC **D13/110**
(58) **Field of Classification Search**
USPC D13/103, 104, 105, 106, 110, 118, 119,
D13/184, 199; 429/96, 98, 99, 100, 163,
429/176; 361/679.55, 679.56; D14/433,
D14/434
CPC . H01M 2/1022; H01M 2/204; H01M 2/0202;
H01M 2/0434; H01M 2/0456; H01M 2/1005;
H01M 2/1055; H01M 2/1066
See application file for complete search history.

FOREIGN PATENT DOCUMENTS

WO WO-2011/106431 9/2011

OTHER PUBLICATIONS

U.S. Appl. No. 29/498,046, filed Jul. 30, 2014, Krantz et al.
(Continued)

Primary Examiner — Derrick Holland
Assistant Examiner — Jennifer O King
(74) *Attorney, Agent, or Firm* — Foley & Lardner LLP

(57) **CLAIM**
We claim the ornamental design for an energy storage and power supply device, as shown and described.

(56) **References Cited**

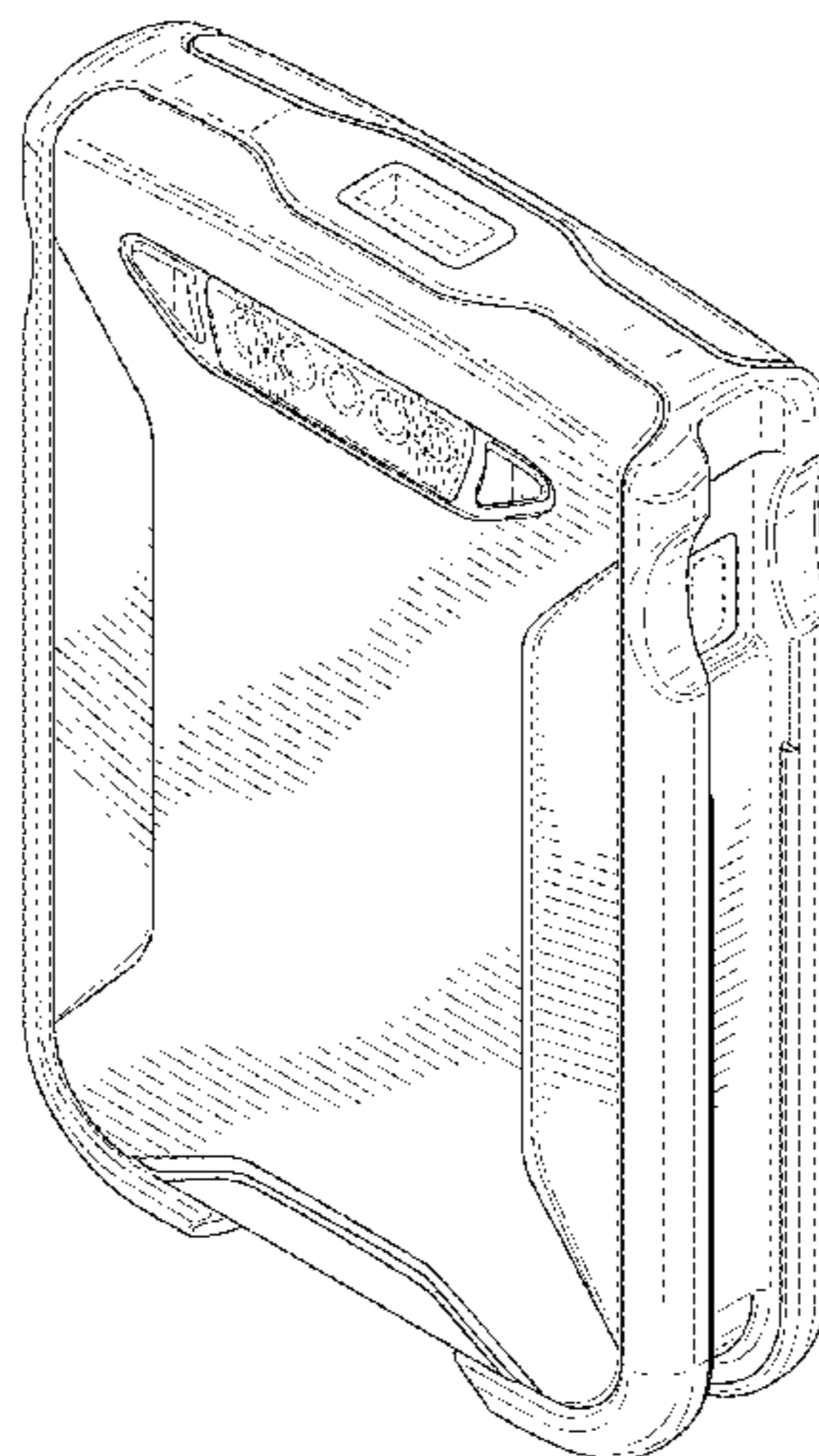
DESCRIPTION

U.S. PATENT DOCUMENTS

D367,257 S * 2/1996 Buelow et al. D13/110
D454,837 S * 3/2002 Ibuki et al. D13/107
D463,363 S * 9/2002 Veino et al. D13/110
D509,181 S * 9/2005 Nellenbach et al. D13/103
D545,268 S * 6/2007 Shiu D13/103
D561,687 S * 2/2008 Sween et al. D13/110
D567,171 S * 4/2008 Yu et al. D13/110
D581,867 S * 12/2008 Crawford et al. D13/103
D601,959 S * 10/2009 Lee et al. D13/119
D603,334 S * 11/2009 Suzuki D13/108
D628,535 S * 12/2010 Cheng D13/108
D629,746 S 12/2010 Workman et al.

FIG. 1 is a front perspective view of an energy storage and power supply device;
FIG. 2 is a front view thereof;
FIG. 3 is a rear view thereof;
FIG. 4 is a right side view thereof;
FIG. 5 is a left side view thereof;
FIG. 6 is a top view thereof; and,
FIG. 7 is a bottom view thereof.
The broken lines shown represent portions of the article that form no part of the claimed design.

1 Claim, 5 Drawing Sheets



(56)

References Cited

U.S. PATENT DOCUMENTS

D701,832 S * 4/2014 Drew et al. D13/133
D704,638 S * 5/2014 Inskeep D13/110
D705,724 S * 5/2014 Yu D13/108
D711,318 S * 8/2014 Xinfang D13/108
D716,304 S * 10/2014 Orthey D14/420
9,024,570 B2 * 5/2015 Workman et al. 320/101

2012/0281392 A1 11/2012 Workman et al.
2013/0043826 A1 2/2013 Workman et al.
2013/0181661 A1 7/2013 Workman et al.
2013/0183562 A1* 7/2013 Workman et al. 429/100
2014/0239717 A1 8/2014 Prommel et al.

OTHER PUBLICATIONS

U.S. Appl. No. 62/022,631, filed Jul. 9, 2014, Workman et al.

* cited by examiner

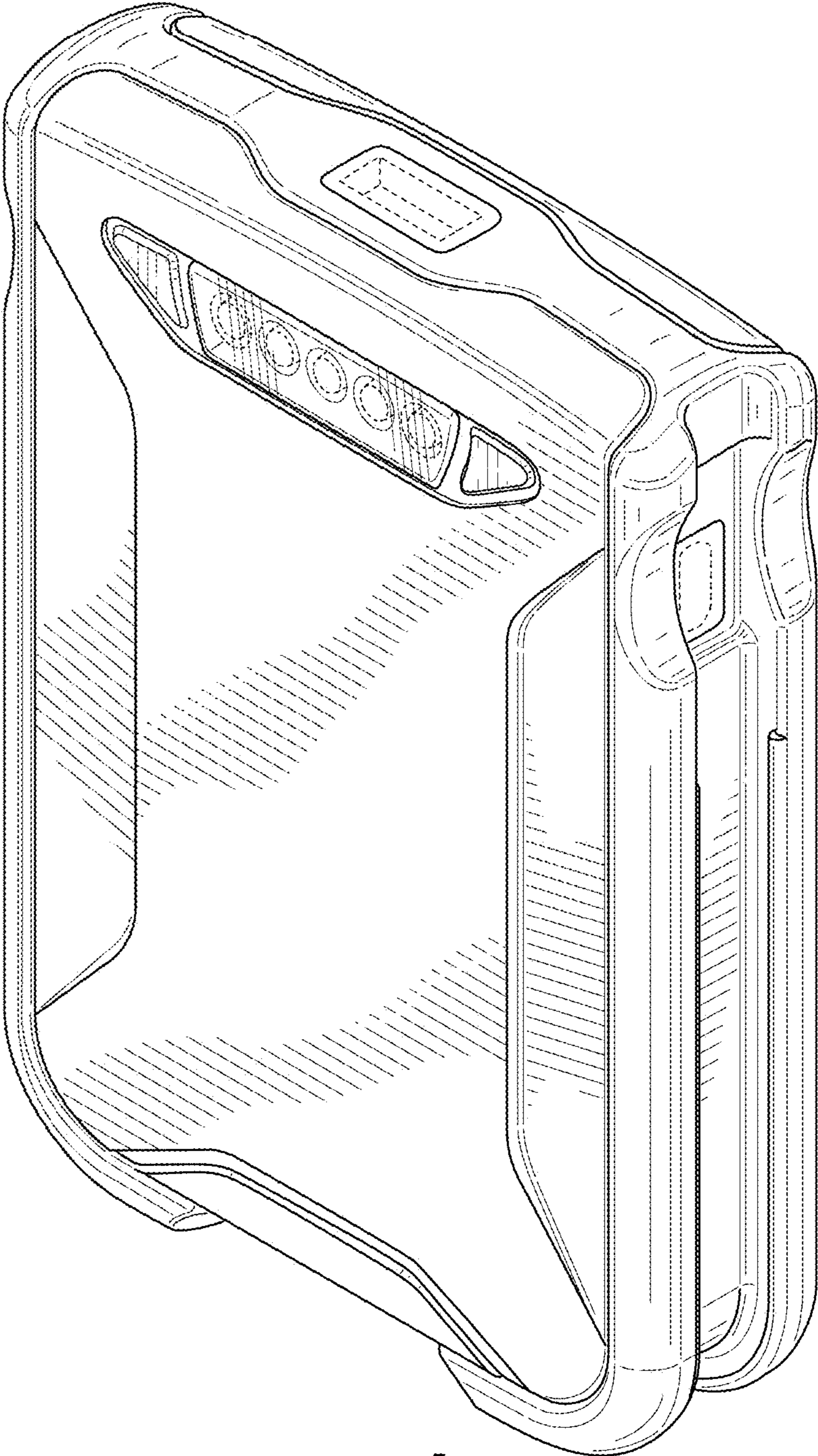


FIG. 1

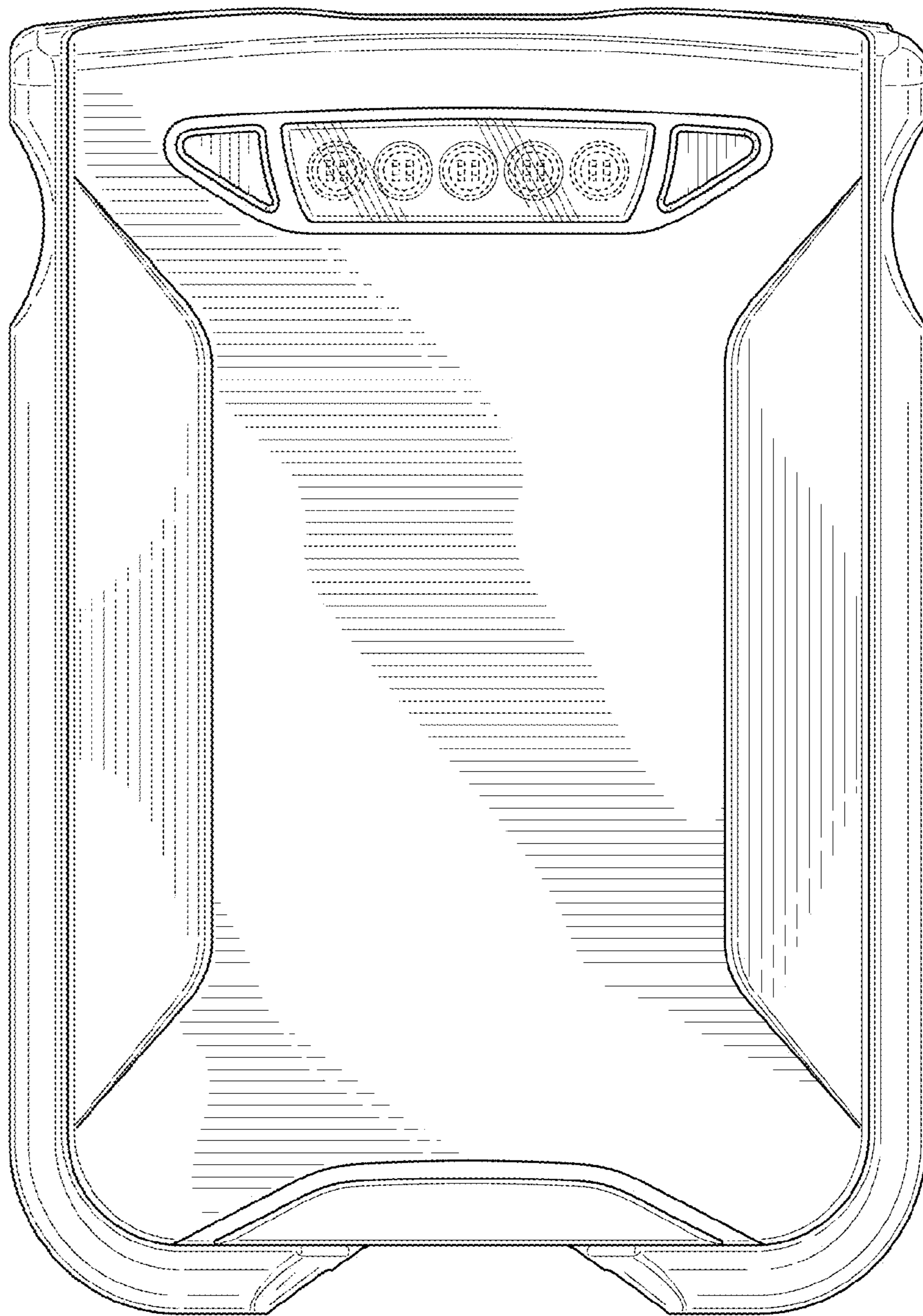


FIG. 2

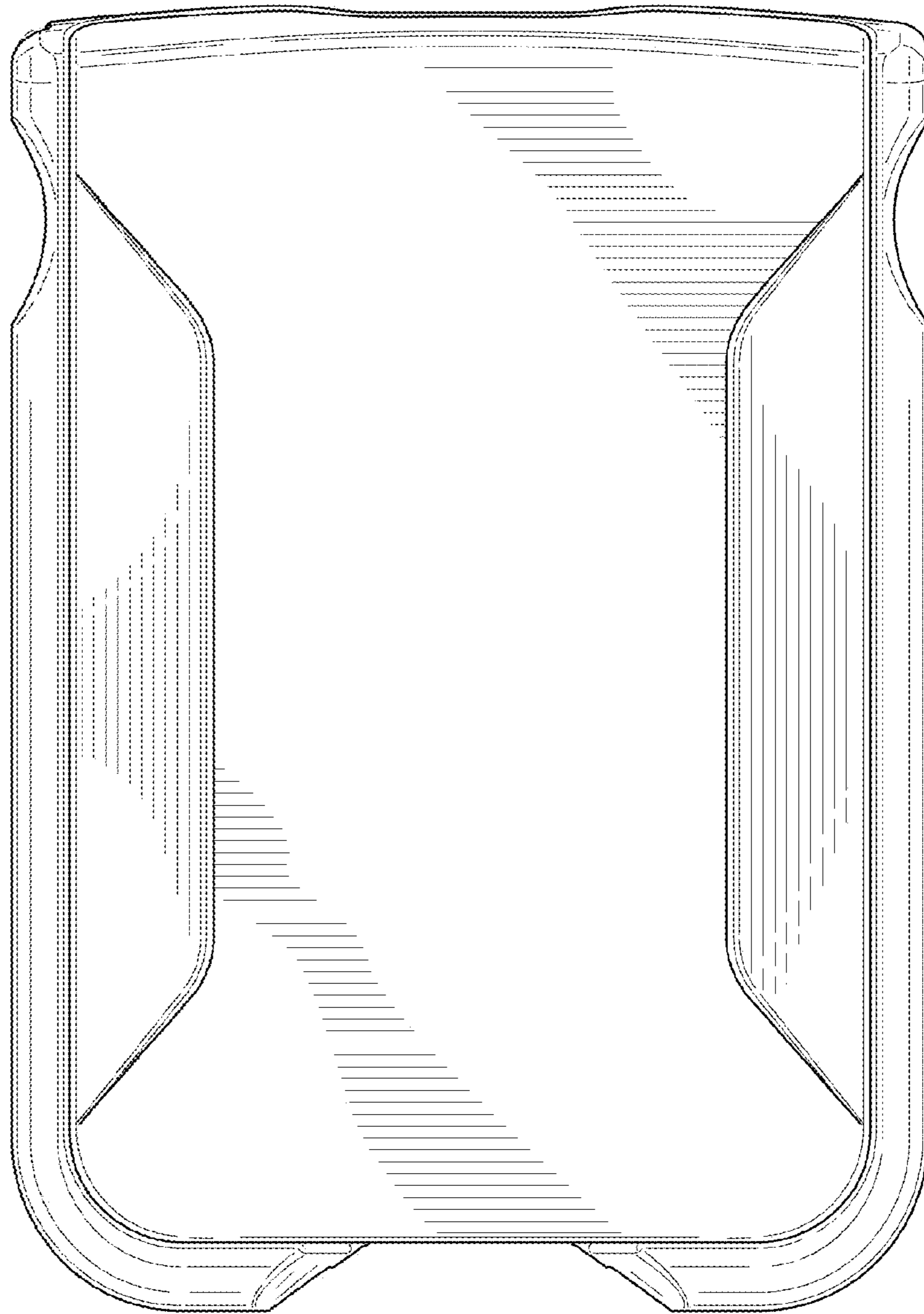


FIG. 3

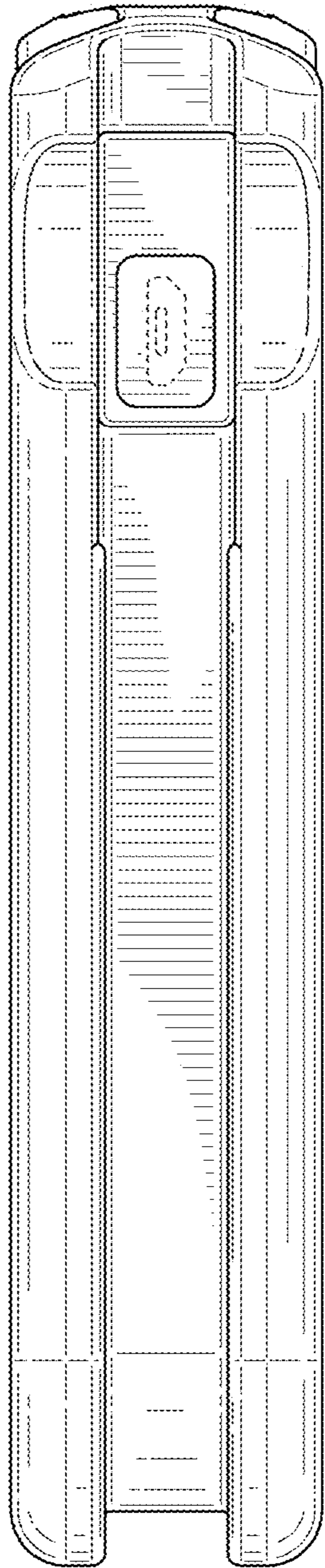


FIG. 4

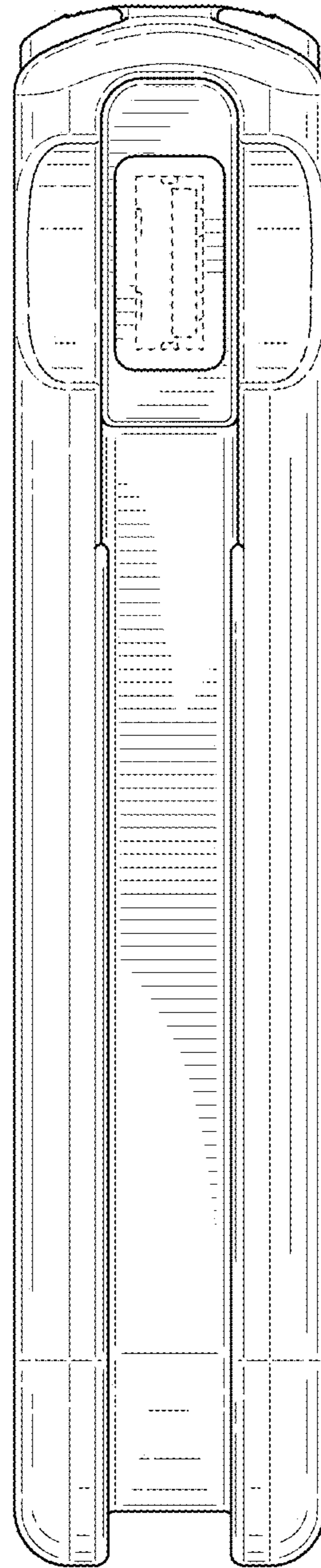


FIG. 5

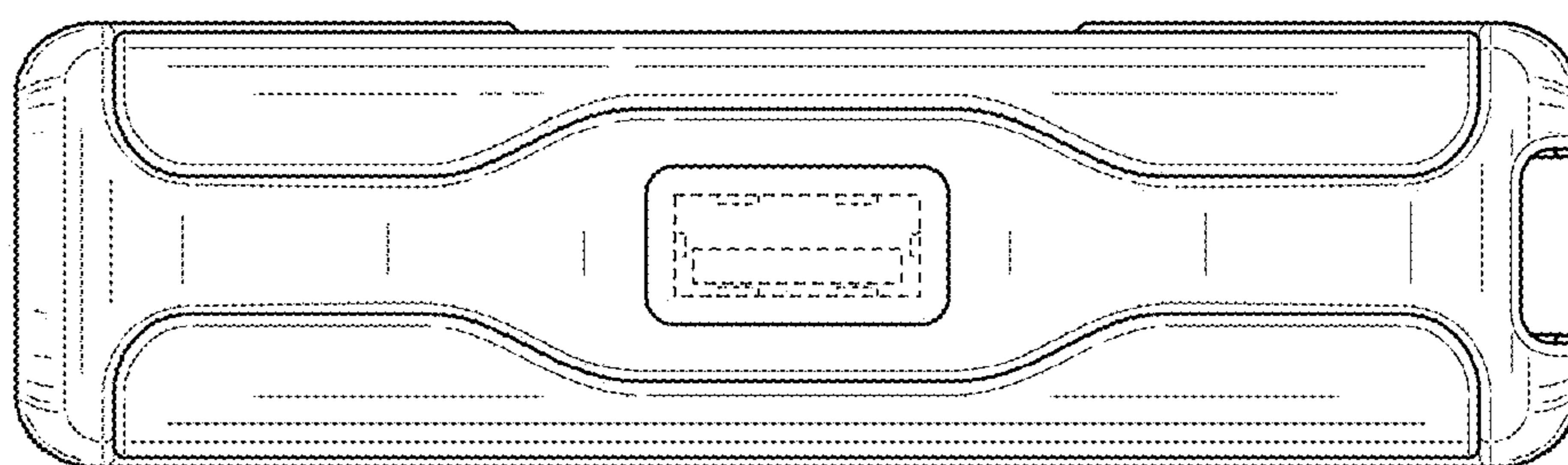


FIG. 6

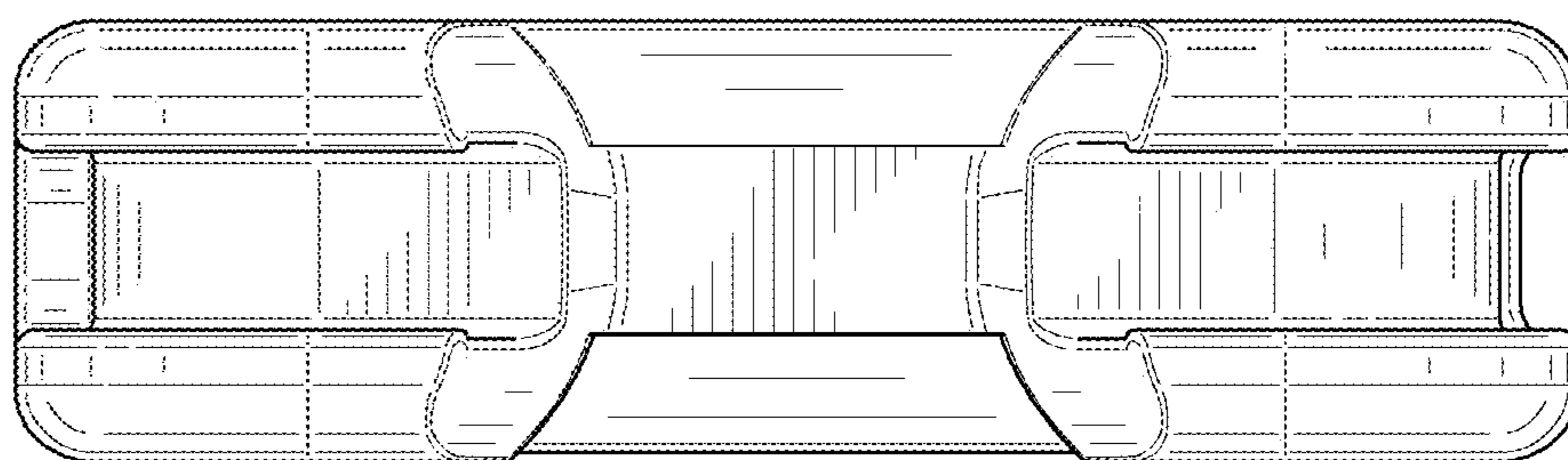


FIG. 7