



US00D753057S

(12) **United States Design Patent**
Kubo et al.

(10) **Patent No.:** **US D753,057 S**
(45) **Date of Patent:** **** Apr. 5, 2016**

(54) **CHARGING STATION FOR AN ELECTRONIC DEVICE FOR TRACKING PHYSICAL ACTIVITY**

H01M 2/204; H01M 10/44; H01M 10/46;
H01M 10/425; H01M 10/465; H01M 10/482;
H01M 10/4257; H01M 10/0436; H01M 10/48;
H01M 2200/30; H01M 2250/30; H01M
2250/40; B60L 11/182

(71) Applicant: **Omron Healthcare, Inc.**, Lake Forest, IL (US)

See application file for complete search history.

(72) Inventors: **Nobuo Kubo**, Buffalo Grove, IL (US);
Rodney Hal Monson, Waukegan, IL (US);
Garrett Lee Winther, Chicago, IL (US);
Ross Lockwood, Chicago, IL (US);
Travis Schultz Lee, Chicago, IL (US);
Shu Kuen Chang, Evanston, IL (US);
Florian Maximilian Friedrich Gerlach, Trofaiach (AT)

(56) **References Cited**

U.S. PATENT DOCUMENTS

D557,423 S	12/2007	Chen	
D631,552 S	1/2011	Kasabach et al.	
8,051,721 B2	11/2011	Amir et al.	
D655,293 S *	3/2012	Gioscia	D14/434
D669,800 S	10/2012	Takayama et al.	
D673,497 S *	1/2013	Rosenzweig	D13/101
D675,118 S	1/2013	Shigeno et al.	
D677,622 S *	3/2013	Cole	D13/108
D701,964 S	4/2014	Yoneta et al.	

(Continued)

Primary Examiner — Rosemary K Tarcza

Assistant Examiner — Sanjeev Paul

(74) *Attorney, Agent, or Firm* — Murphy, Bilak & Homiller, PLLC

(73) Assignee: **Omron Healthcare, Inc.**, Lake Forest, IL (US)

(**) Term: **14 Years**

(21) Appl. No.: **29/502,664**

(22) Filed: **Sep. 18, 2014**

(51) **LOC (10) Cl.** **13-02**

(52) **U.S. Cl.**
USPC **D13/108**

(58) **Field of Classification Search**
USPC D13/102–110, 118–119, 184, 199, 133,
D13/144; D14/251, 253, 432, 434, 356,
D14/155; D15/9; 439/300, 620.01, 638,
439/668–669, 675, 825; 320/107–115
CPC Y02E 60/12; Y02E 60/10; Y02E 60/122;
Y02E 60/124; Y02E 60/50; Y02T 90/14;
Y02T 90/122; Y02T 90/128; Y02T 90/163;
H02J 7/025; H02J 7/0042; H02J 7/0044;
H02J 7/0045; H02J 7/0003; H02J 7/00;
H02J 7/0011; H02J 7/0013; H02J 7/0054;
H02J 7/0055; H02J 7/0057; H02J 2007/0062;
H01F 38/14; H01R 13/6675; H01M 2/02;
H01M 2/022; H01M 2/0202; H01M 2/0207;
H01M 2/0212; H01M 2/1061; H01M 2/1022;
H01M 2/1055; H01M 2/1066; H01M 2/105;

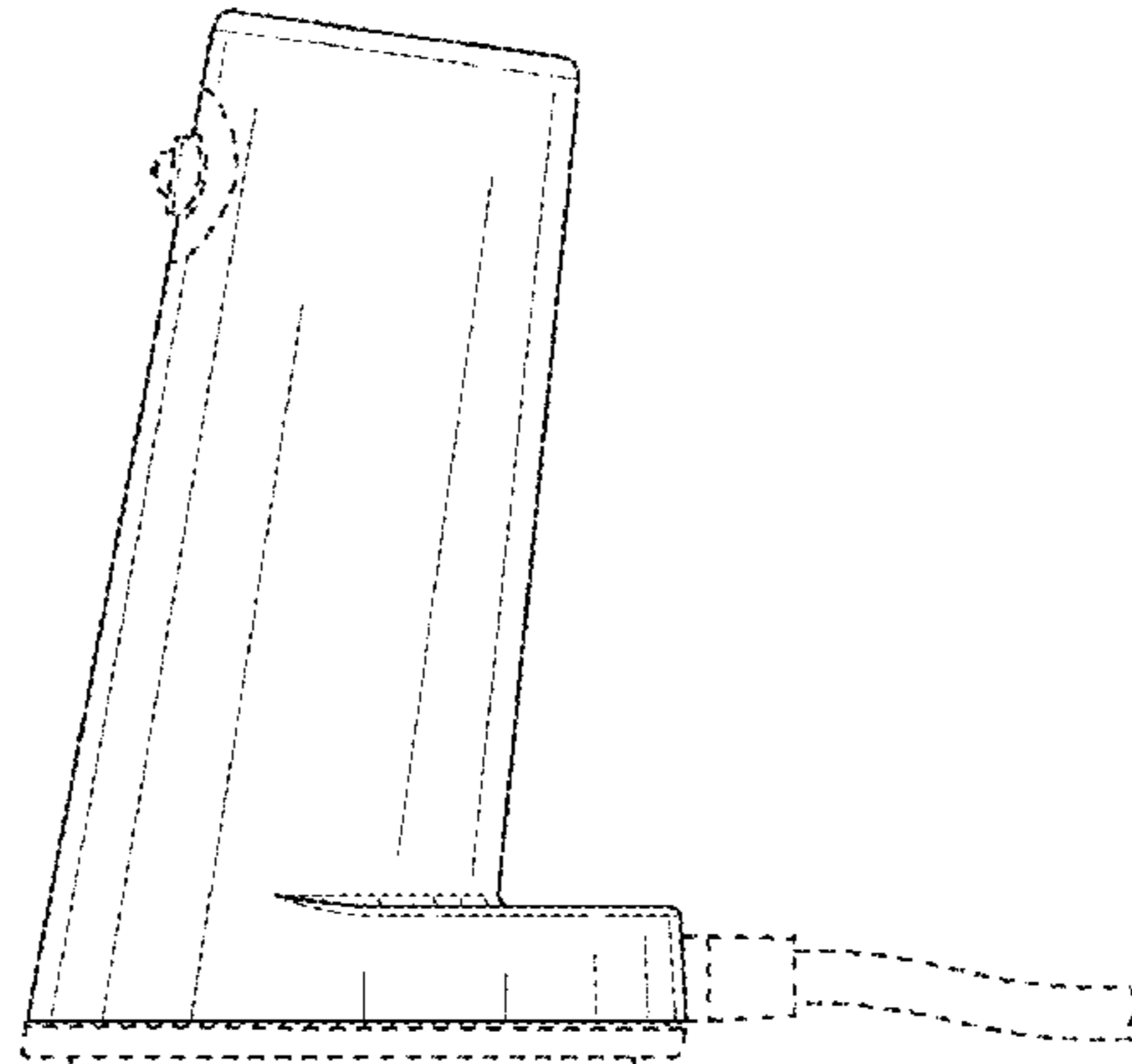
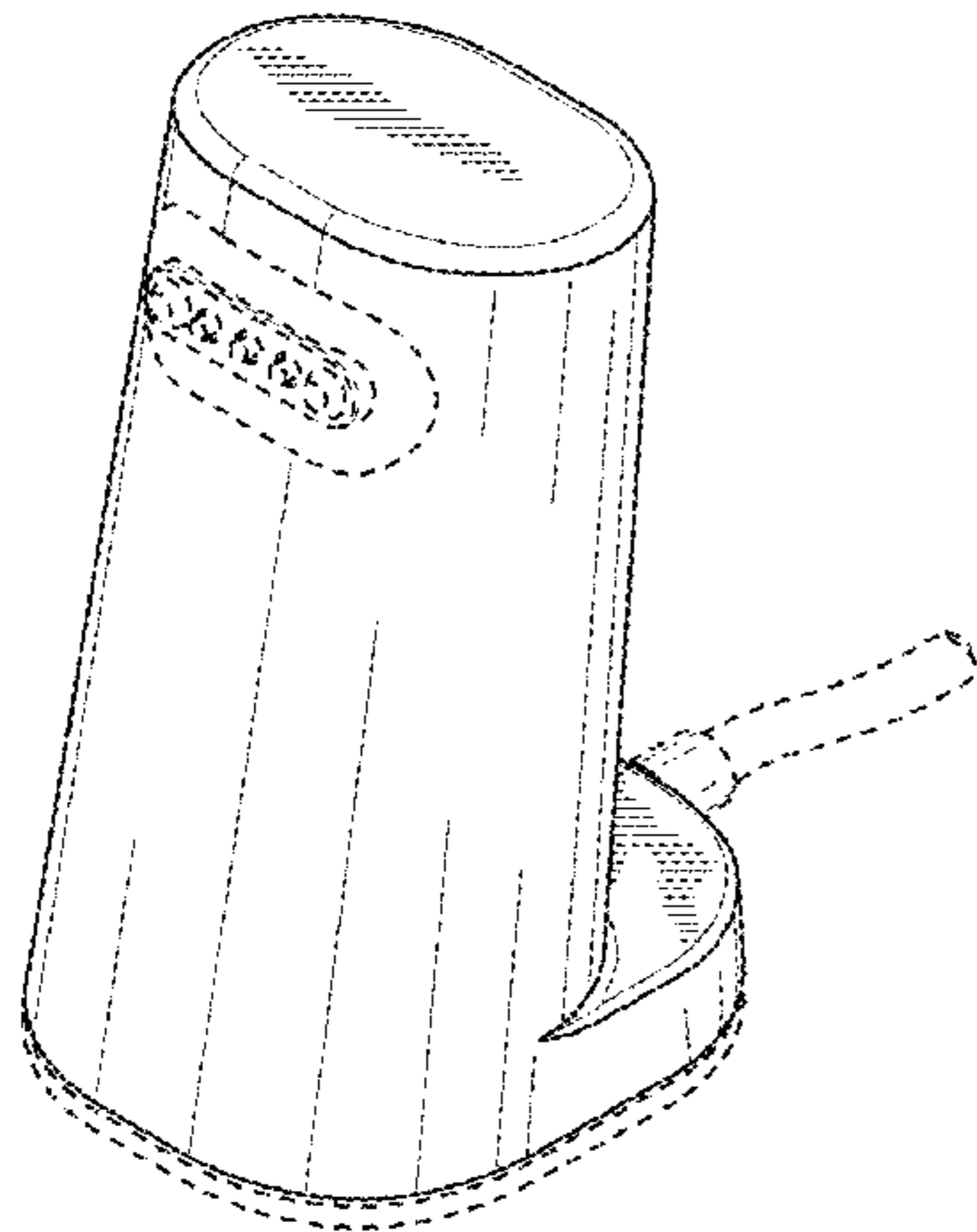
(57) **CLAIM**

The ornamental design for a charging station for an electronic device for tracking physical activity, as shown and described.

DESCRIPTION

FIG. 1 is a top side perspective view of the charging station for an electronic device for tracking physical activity;
FIG. 2 is a front view thereof;
FIG. 3 is a rear view thereof;
FIG. 4 is a right side view thereof, with the left side being a mirror image;
FIG. 5 is a top view thereof; and,
FIG. 6 is a bottom view thereof.
The broken lines form no part of the claimed design and the drawings include surface shading that represents contour and not surface ornamentation.

1 Claim, 6 Drawing Sheets



US D753,057 S

Page 2

(56)

References Cited

U.S. PATENT DOCUMENTS

D717,680 S	11/2014	Park et al.			
D721,327 S *	1/2015	Kim	D13/108		
D731,420 S *	6/2015	Croft	D13/108	* cited by examiner	
					D733,888 S 7/2015 Tuhkanen
					2014/0180019 A1 6/2014 Martinez et al.
					2015/0097519 A1* 4/2015 Chen
					H02J 7/025
					320/108

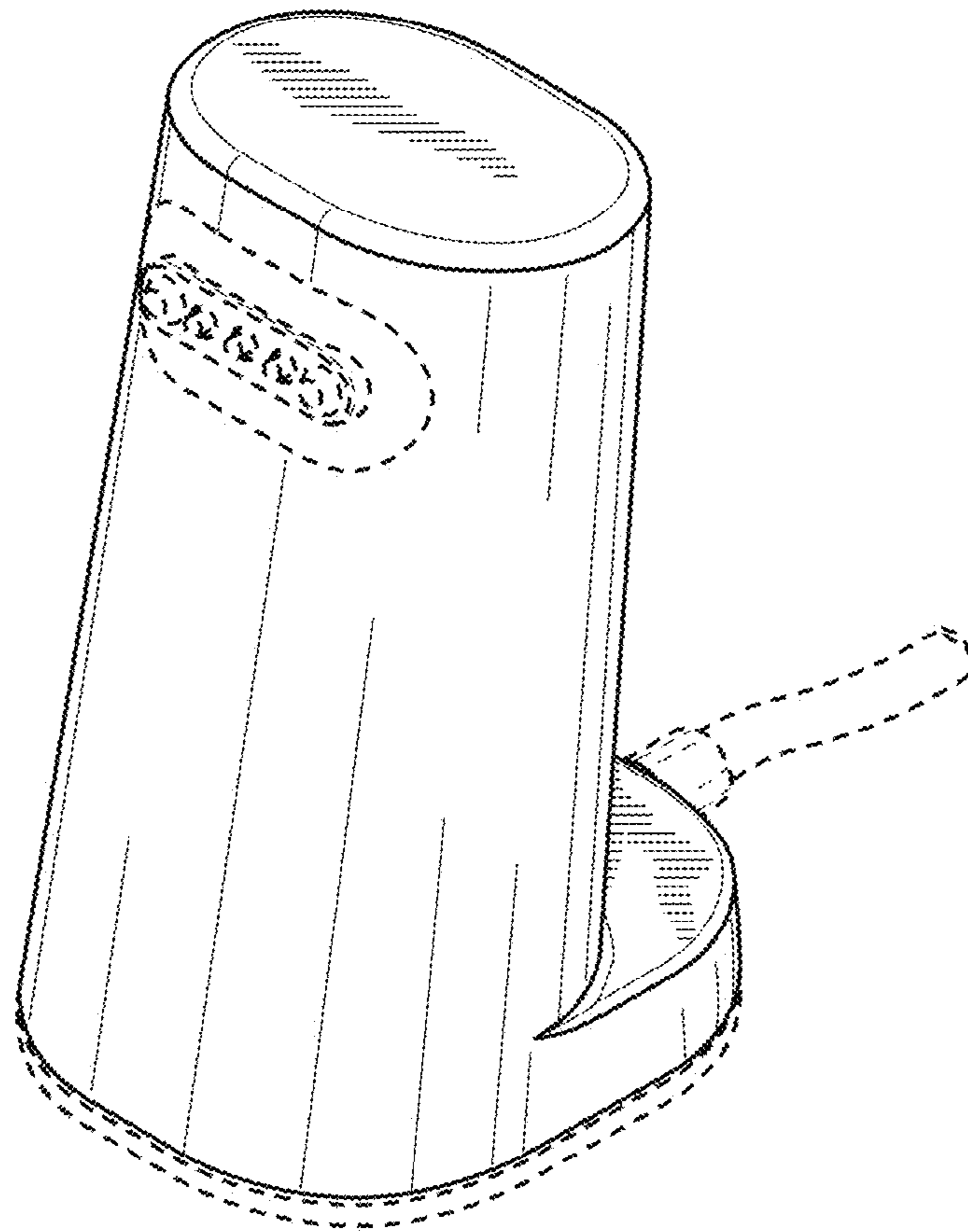


FIG. 1

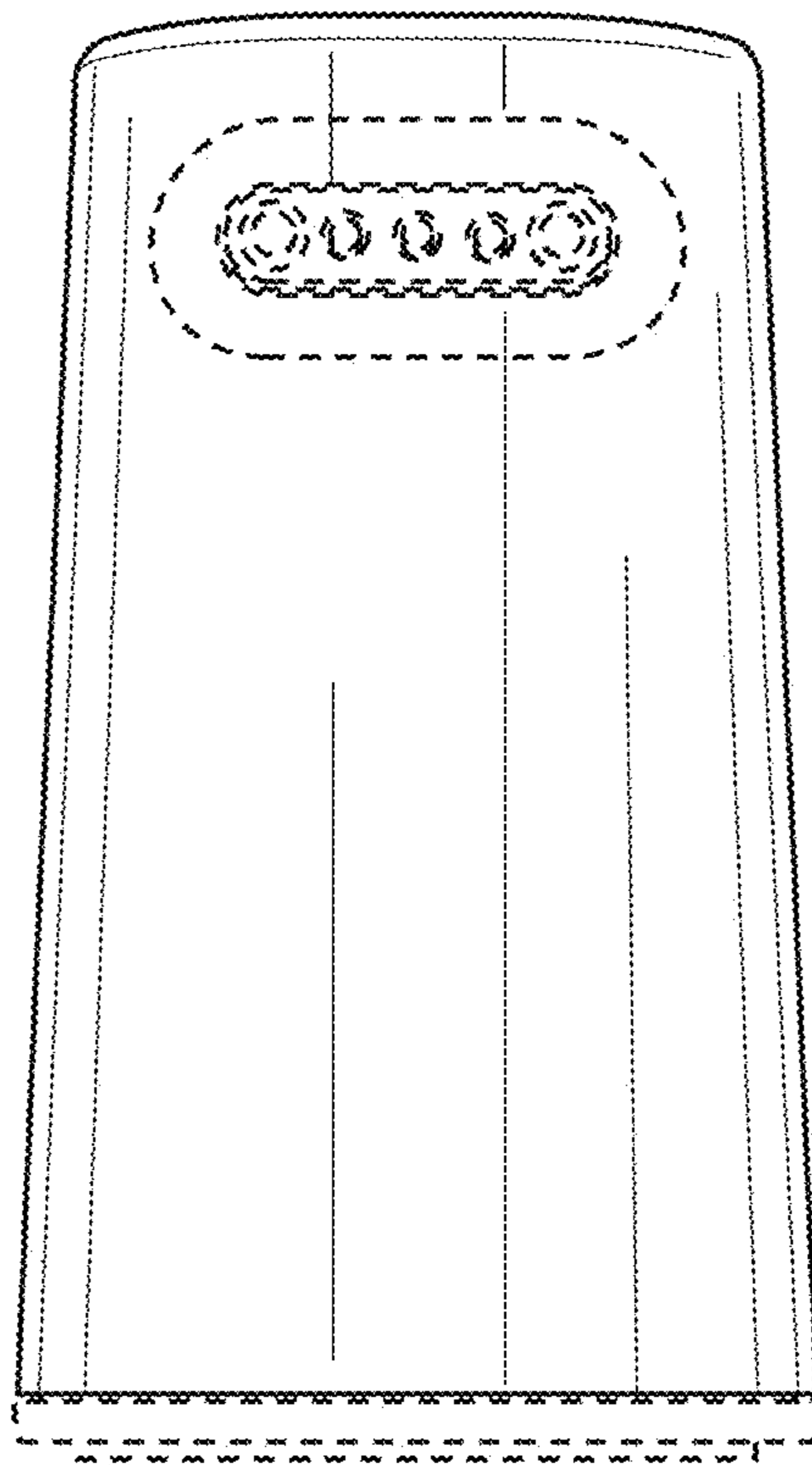


FIG. 2

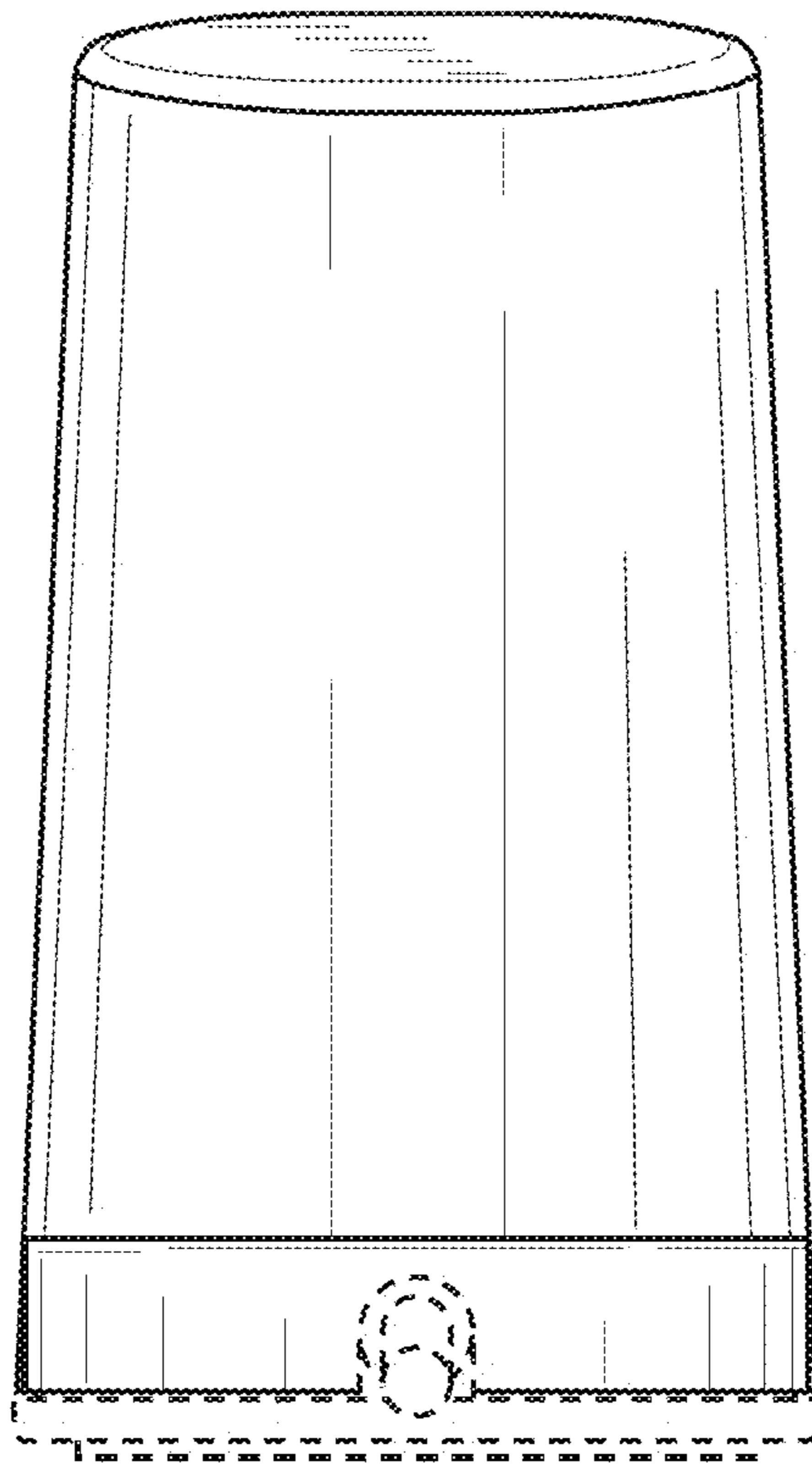


FIG. 3

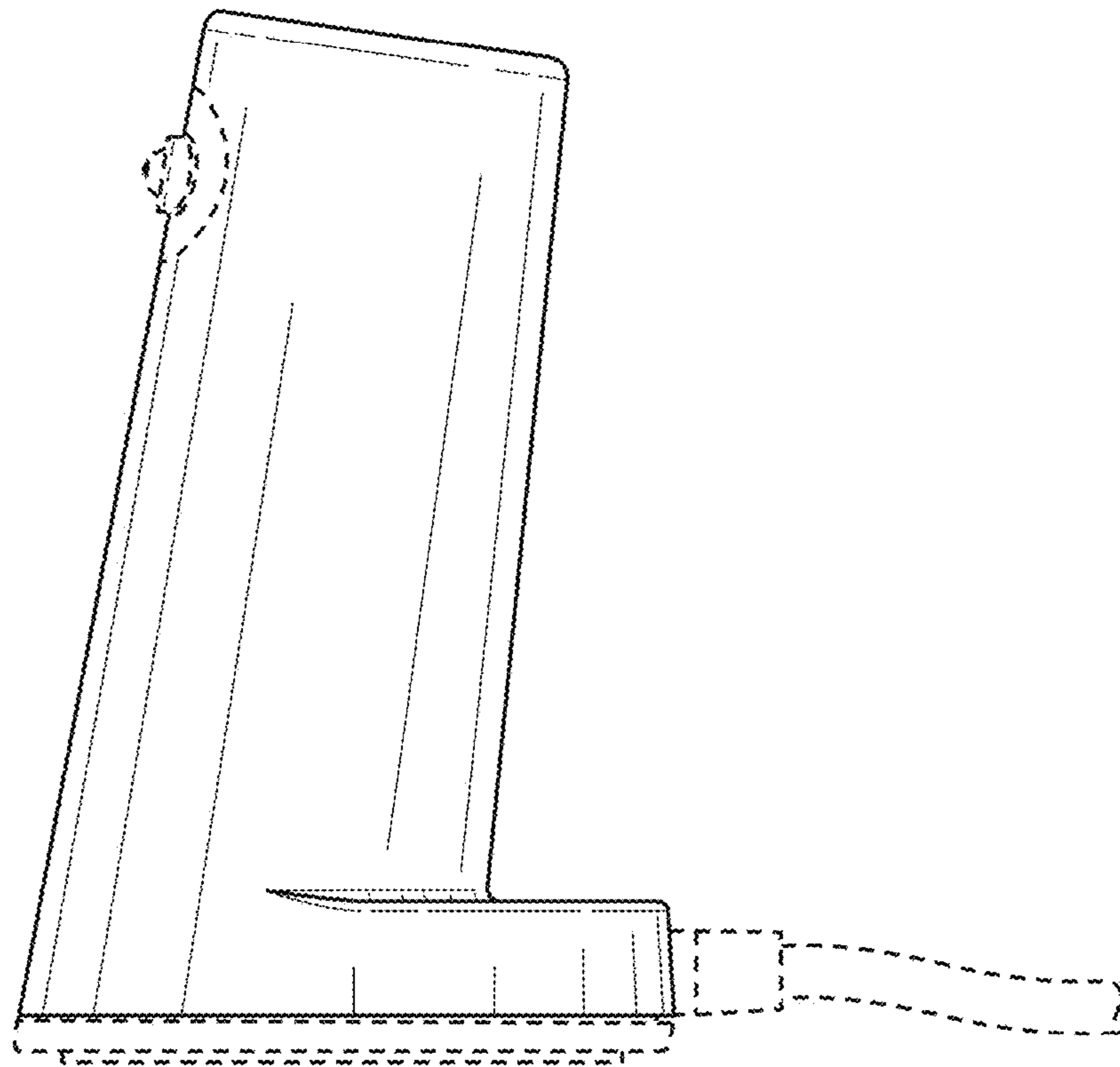


FIG. 4

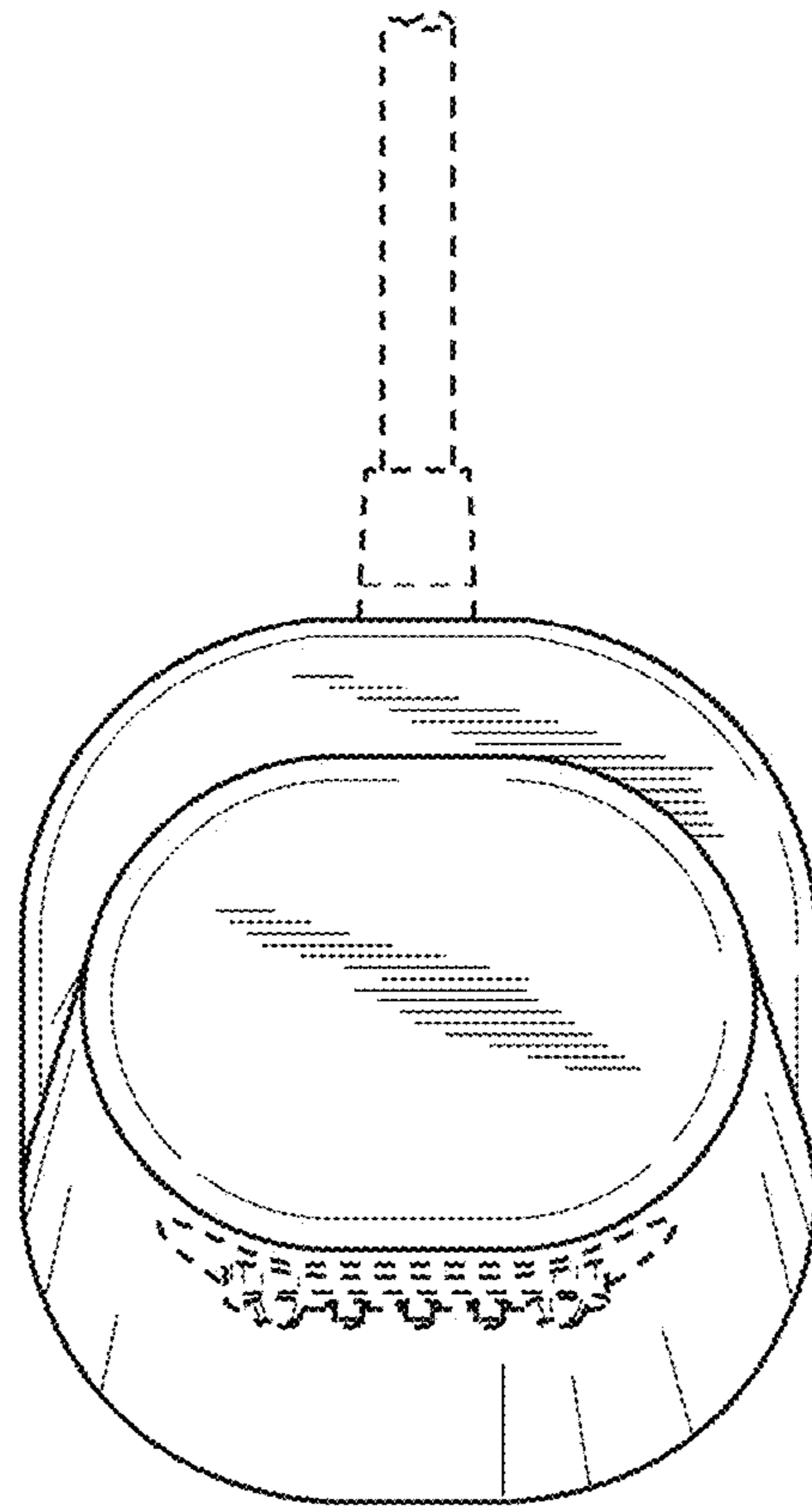


FIG. 5

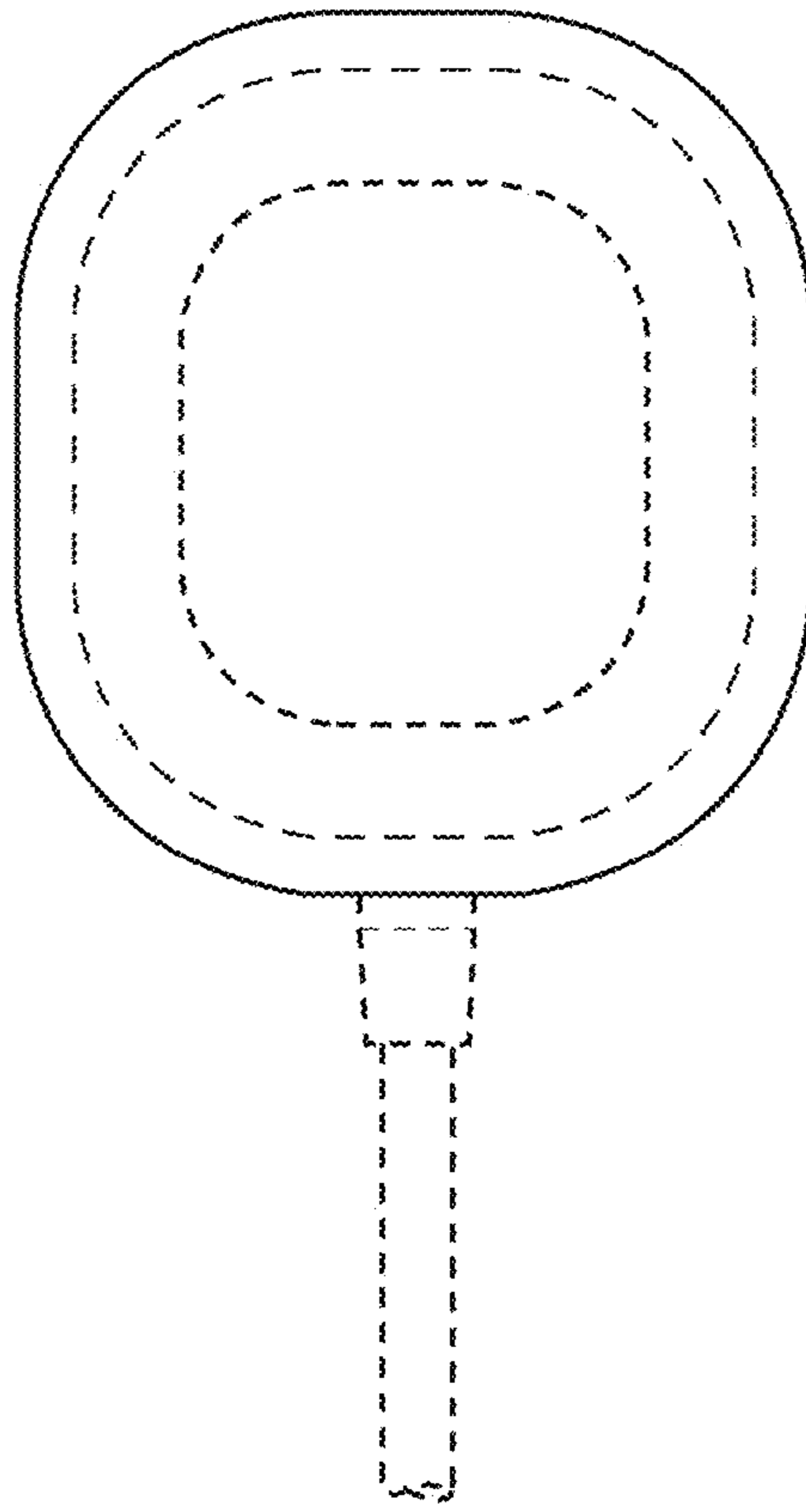


FIG. 6