



US00D753055S

(12) **United States Design Patent**  
**Sato et al.**

(10) **Patent No.:** **US D753,055 S**

(45) **Date of Patent:** **\*\* Apr. 5, 2016**

(54) **TIRE**

(71) Applicant: **Toyo Tire & Rubber Co., Ltd.**, Osaka (JP)

(72) Inventors: **Yoshiki Sato**, Osaka (JP); **Shingo Kuwano**, Osaka (JP)

(73) Assignee: **TOYO TIRE & RUBBER CO., LTD.**, Osaka (JP)

(\*\*) Term: **14 Years**

(21) Appl. No.: **29/496,886**

(22) Filed: **Jul. 18, 2014**

(30) **Foreign Application Priority Data**

Jan. 23, 2014 (JP) ..... 2014-001173

(51) **LOC (10) Cl.** ..... **12-15**

(52) **U.S. Cl.**  
USPC ..... **D12/594**; D12/605; D12/901

(58) **Field of Classification Search**  
USPC ..... D12/550-568, 580-604, 900  
CPC ..... B26D 3/005; B26D 1/02; B26D 1/0084;  
B60C 11/031; B60C 11/033  
See application file for complete search history.

(56) **References Cited**

**U.S. PATENT DOCUMENTS**

D274,804 S *	7/1984	Bard	.....	D12/594
D288,548 S *	3/1987	Kojima	.....	D12/602
D289,027 S *	3/1987	Diensthuber	.....	D12/602
D544,830 S	6/2007	Umstot et al.		
D548,172 S *	8/2007	Dixon	.....	D12/579
D567,750 S *	4/2008	Dixon	.....	D12/579
D569,789 S *	5/2008	Park	.....	D12/579

D628,958 S *	12/2010	Fleckner	.....	D12/600
D642,512 S *	8/2011	Jacobs	.....	D12/600
D651,165 S *	12/2011	Grote	.....	D12/599
D730,272 S *	5/2015	Fleckner	.....	D12/580
D731,404 S *	6/2015	Jacobs	.....	D12/580
D734,712 S *	7/2015	Kuwano	.....	D12/599

**OTHER PUBLICATIONS**

Firestone CVW3000 Tire found online [Nov. 16, 2015] <http://tiresadict.com/vendor/firestone/cvw3000/>.\*

Goodyear Wrangler DuraTrac Tire found online {Nov. 16, 2015} <https://www.goodyear.com/en-US/tires/wrangler-duratrac>.\*

\* cited by examiner

*Primary Examiner* — Robert M Spear

*Assistant Examiner* — John Voytek

(74) *Attorney, Agent, or Firm* — Sterne, Kessler, Goldstein & Fox P.L.L.C.

(57) **CLAIM**

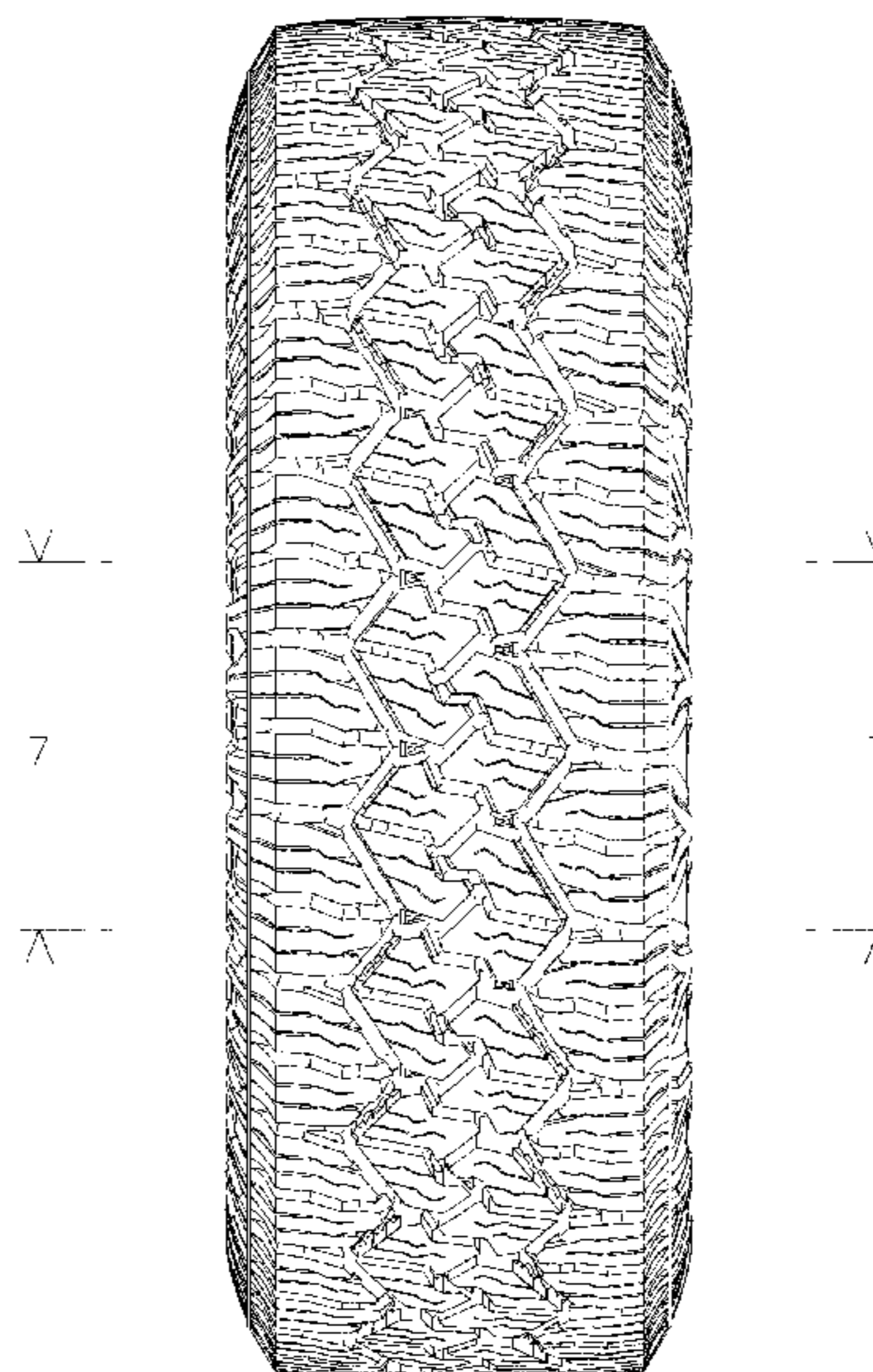
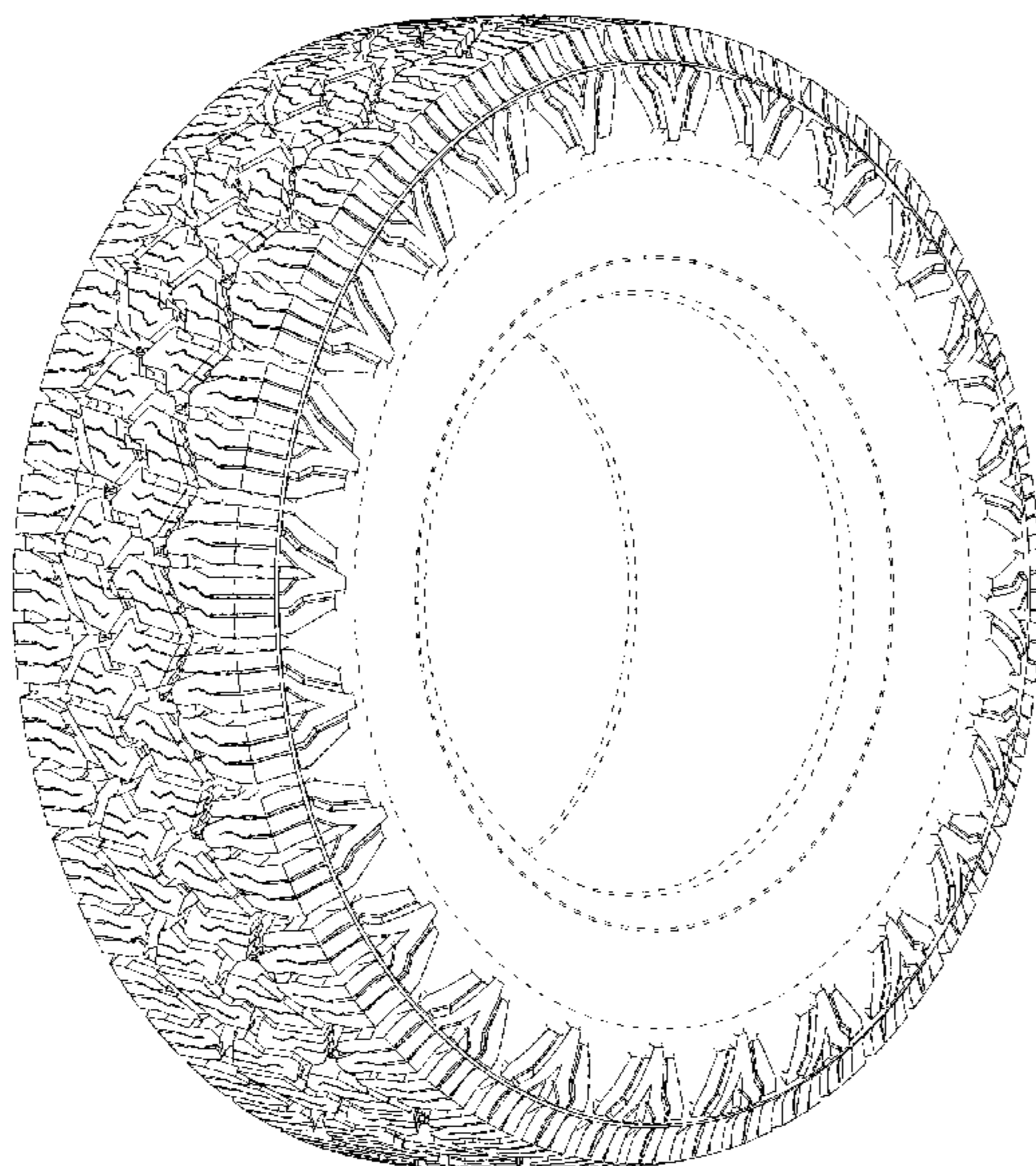
The ornamental design for a tire, as shown and described.

**DESCRIPTION**

FIG. 1 is a perspective view of a tire showing our new design; FIG. 2 is a front view thereof; FIG. 3 is a rear view thereof; FIG. 4 is a top plan view thereof, for which the bottom plan view is the same; FIG. 5 is a right side view thereof; FIG. 6 is a left side view thereof; FIG. 7 is an enlarged view taken along line 7-7 in FIG. 2; and, FIG. 8 is a cross-sectional view taken along line 8-8 in FIG. 5 and line 8'-8' in FIG. 7.

In the drawings, the broken lines showing portions of the sidewall and inner bead depict portions of the tire which form no part of the claimed design.

**1 Claim, 8 Drawing Sheets**





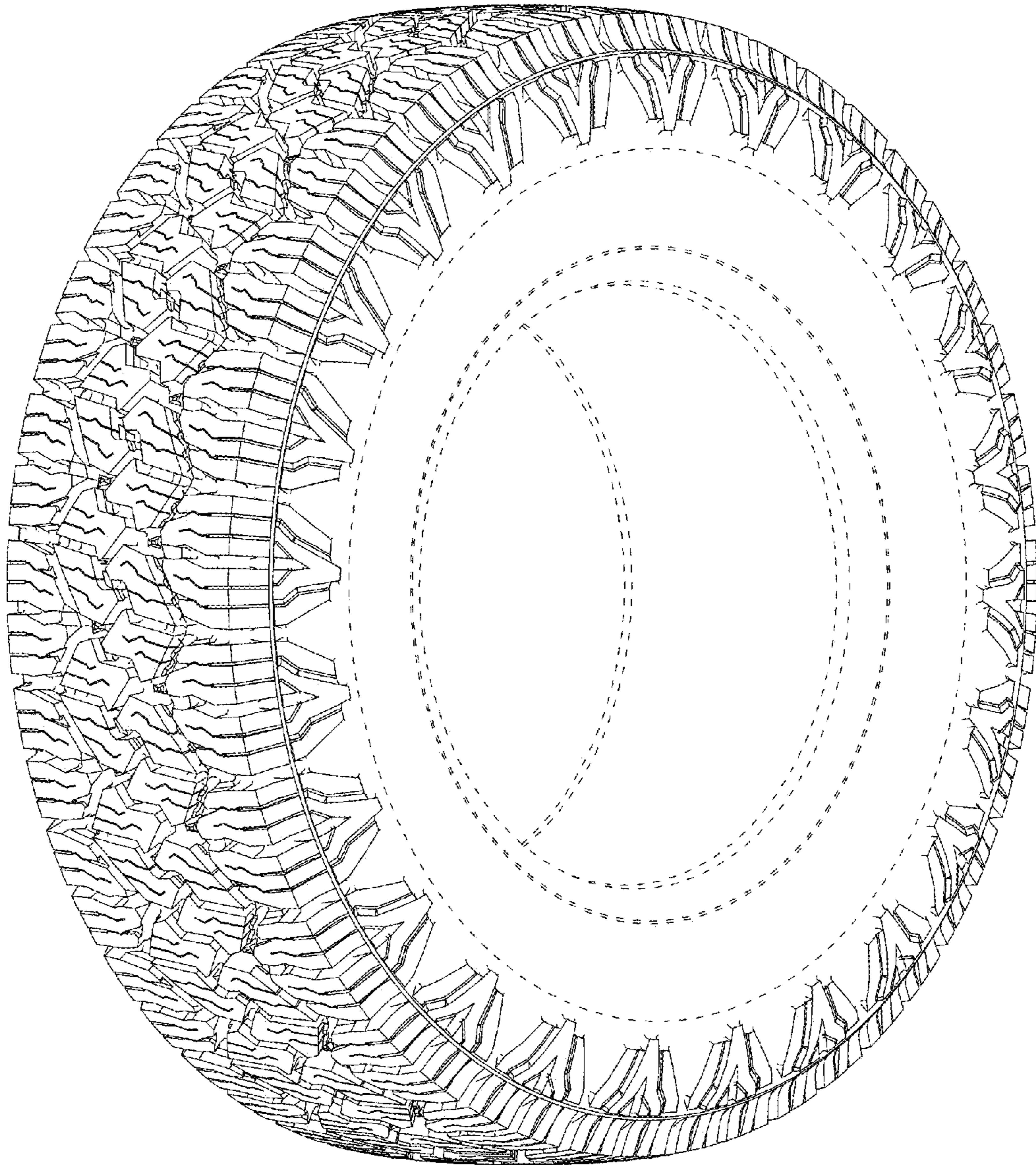


FIG. 1

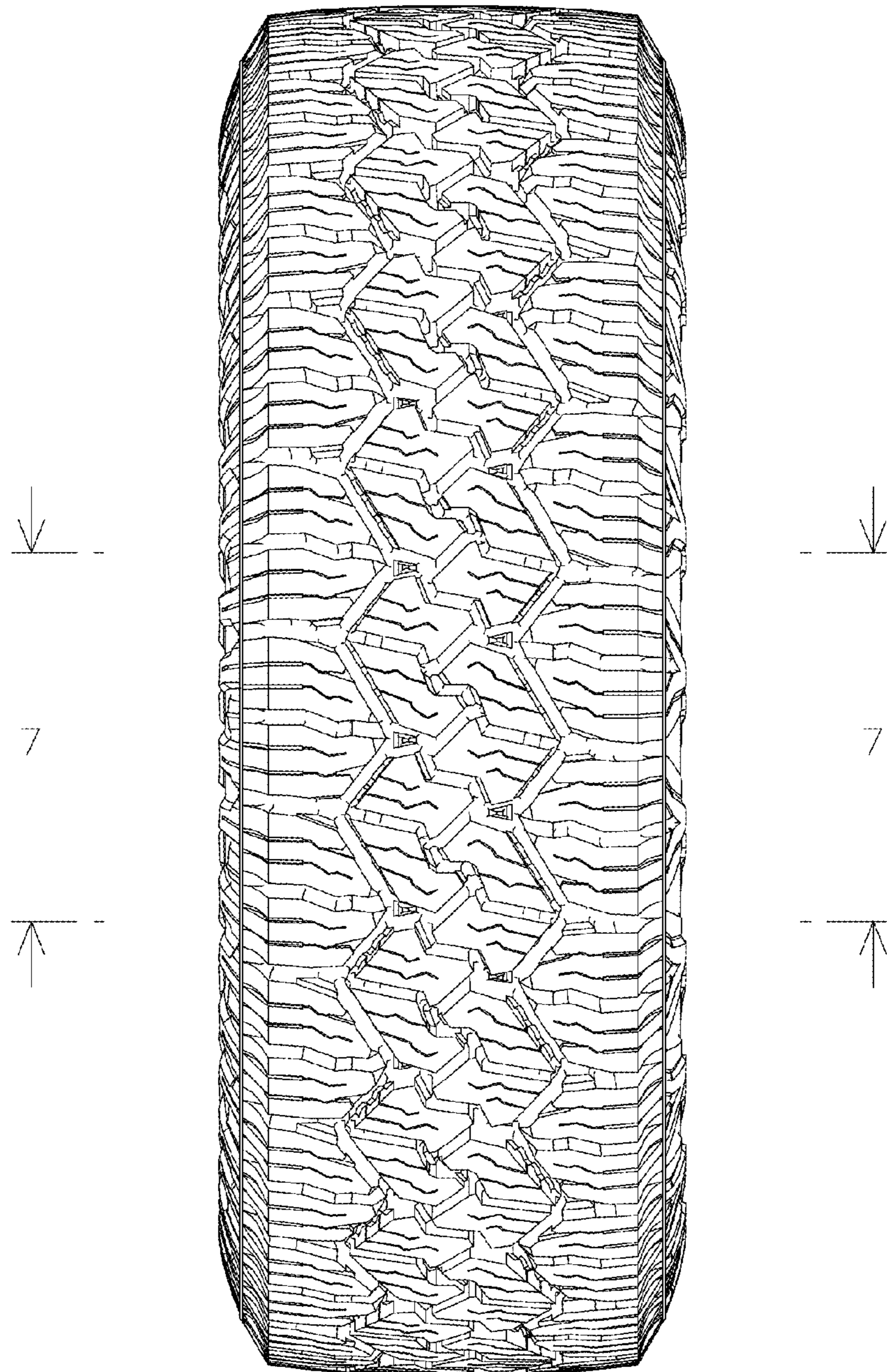


FIG. 2



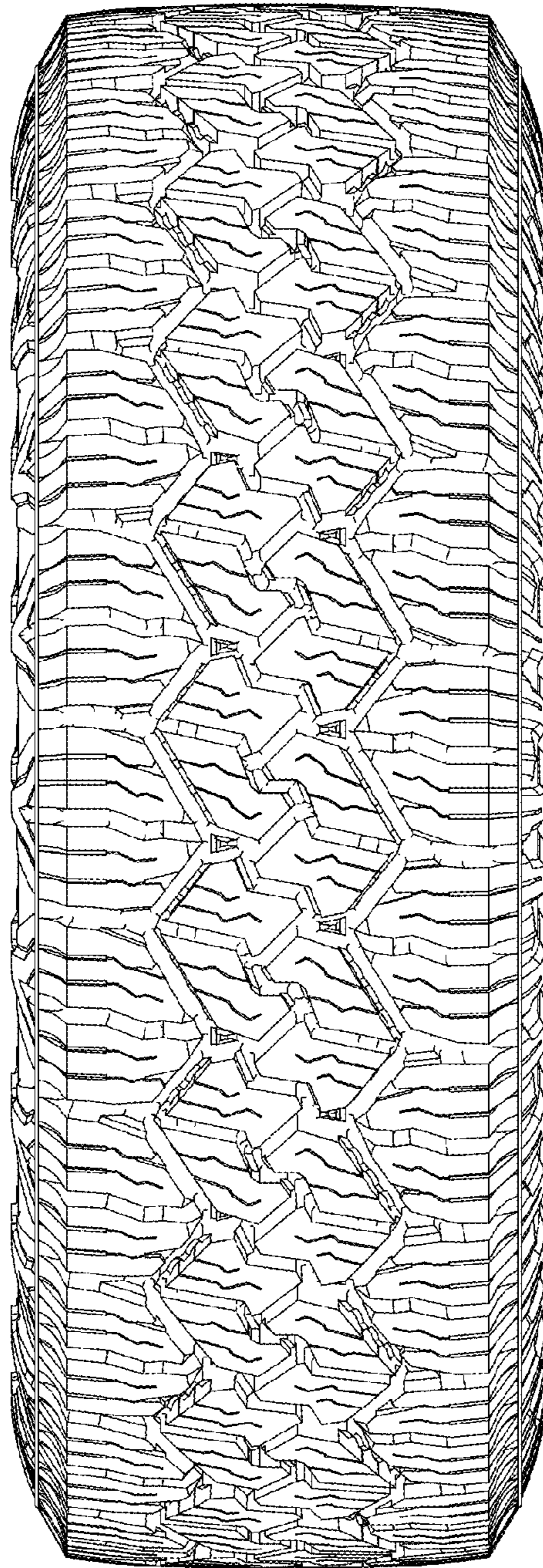


FIG. 3

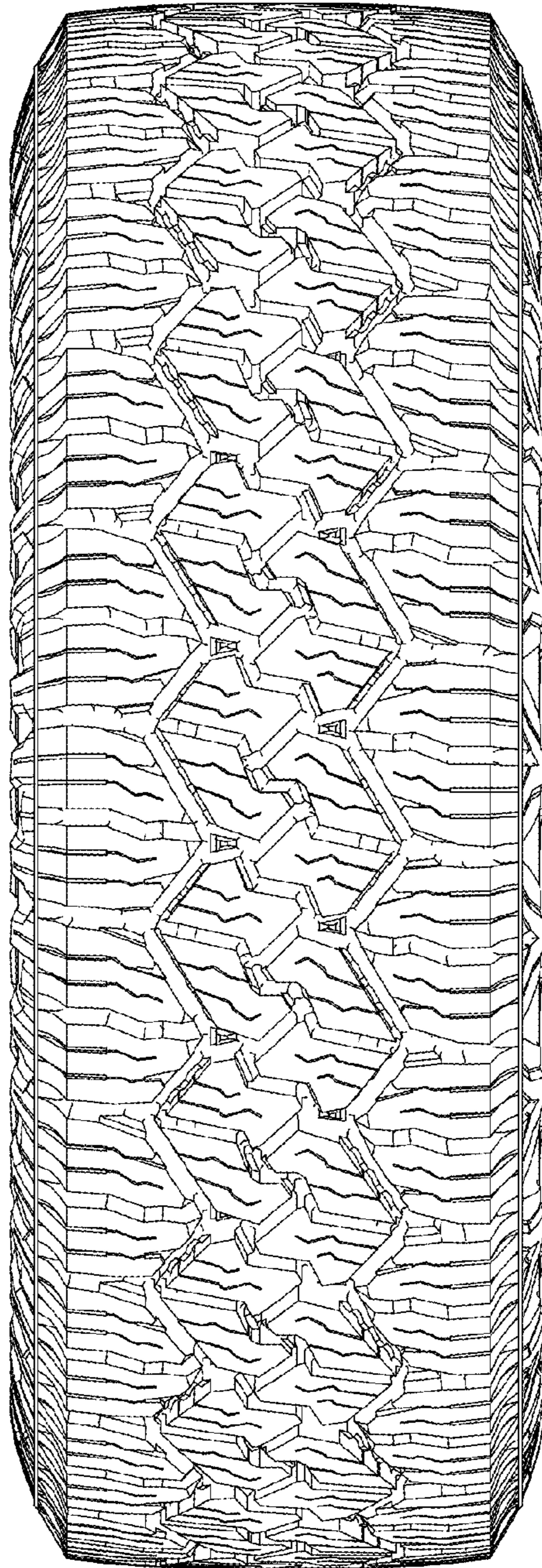


FIG. 4



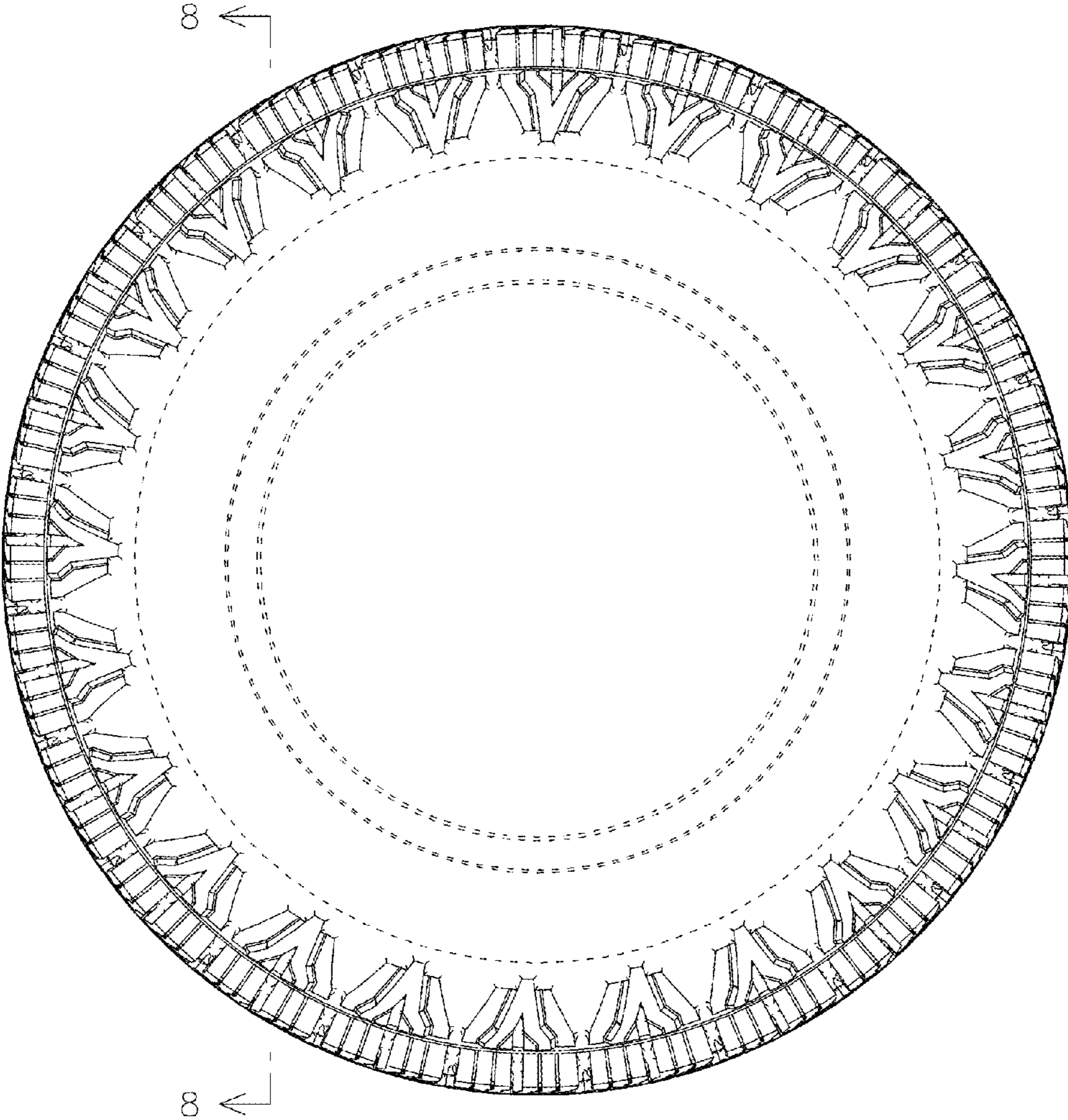


FIG. 5

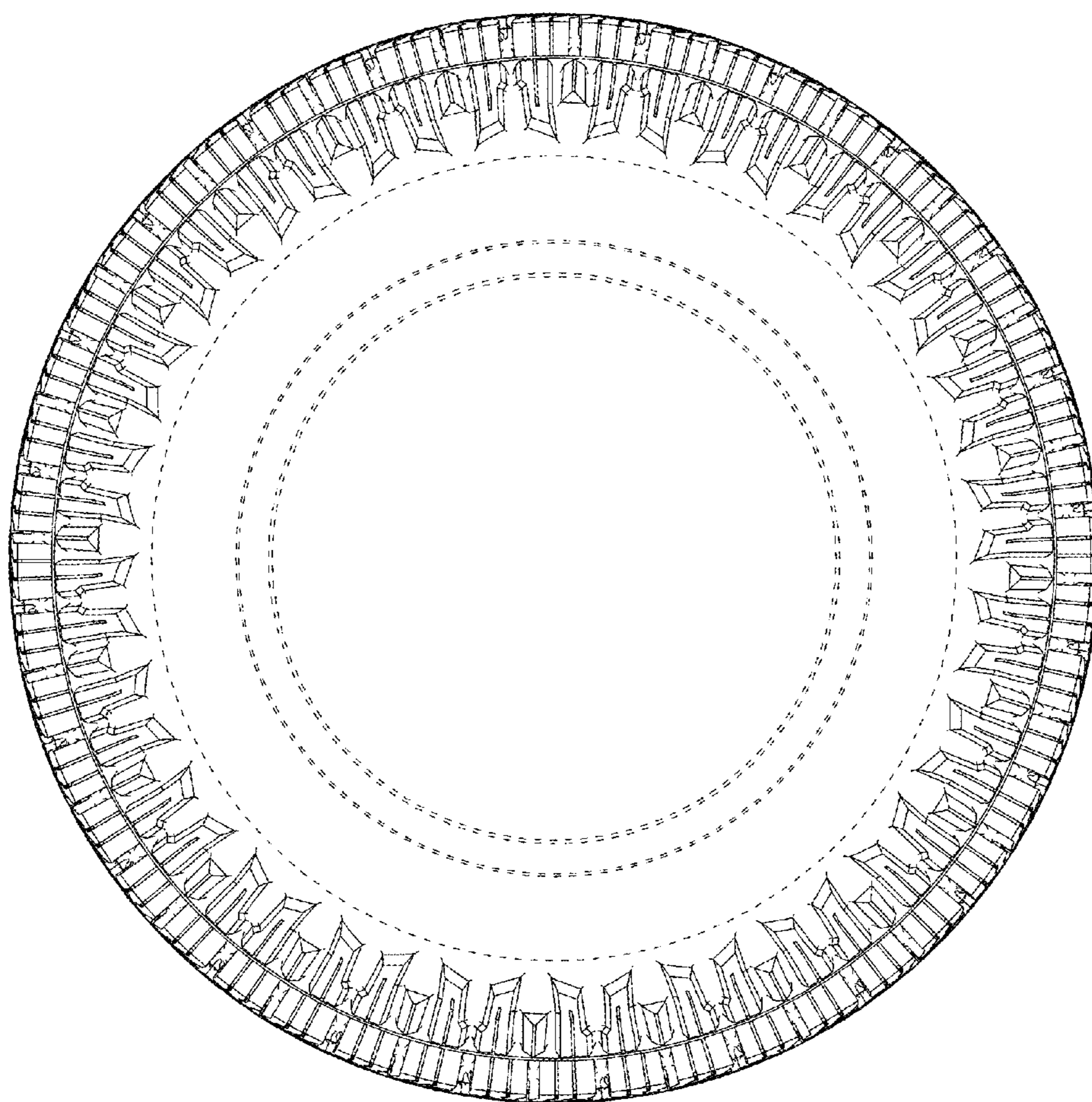


FIG. 6

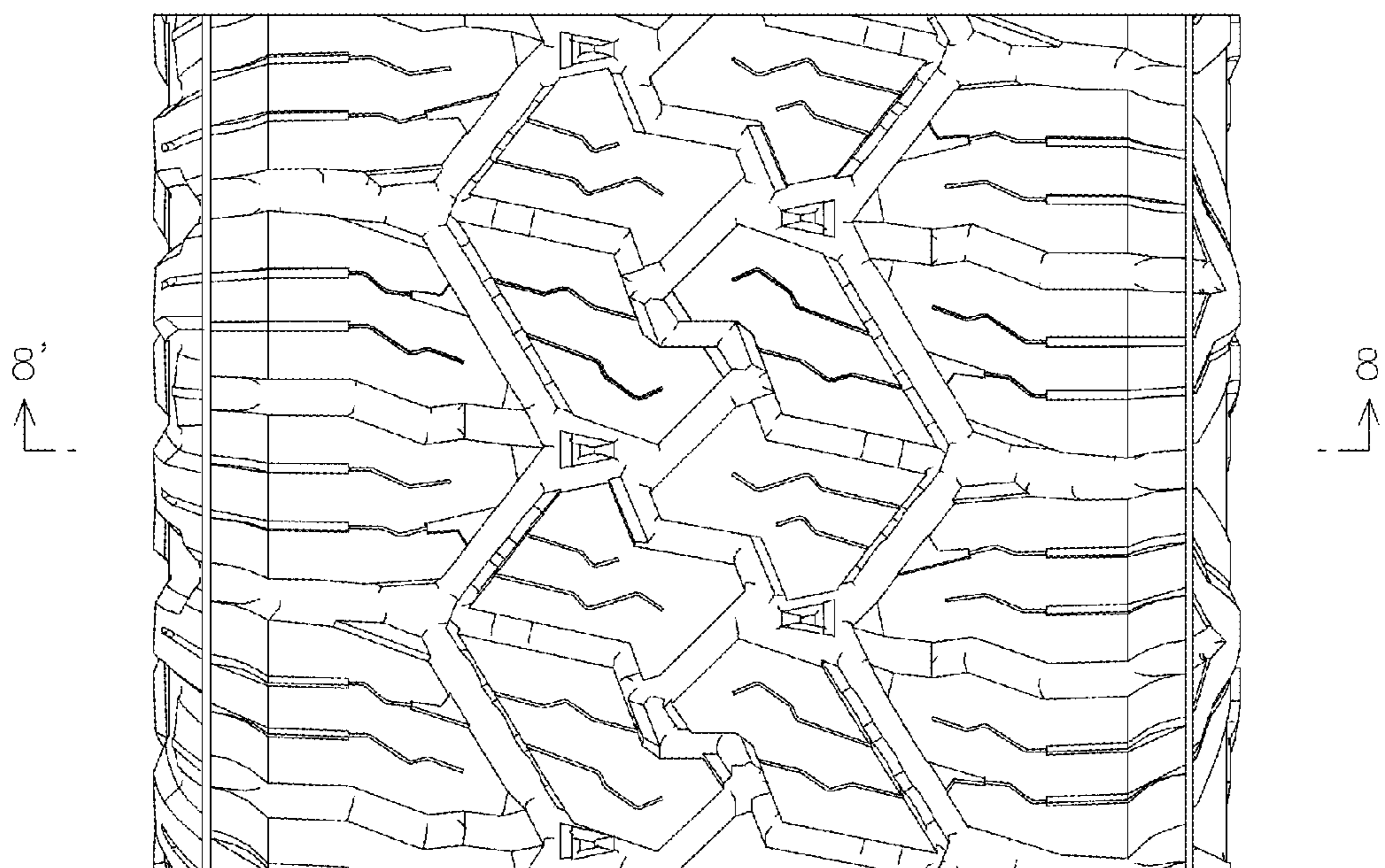


FIG. 7



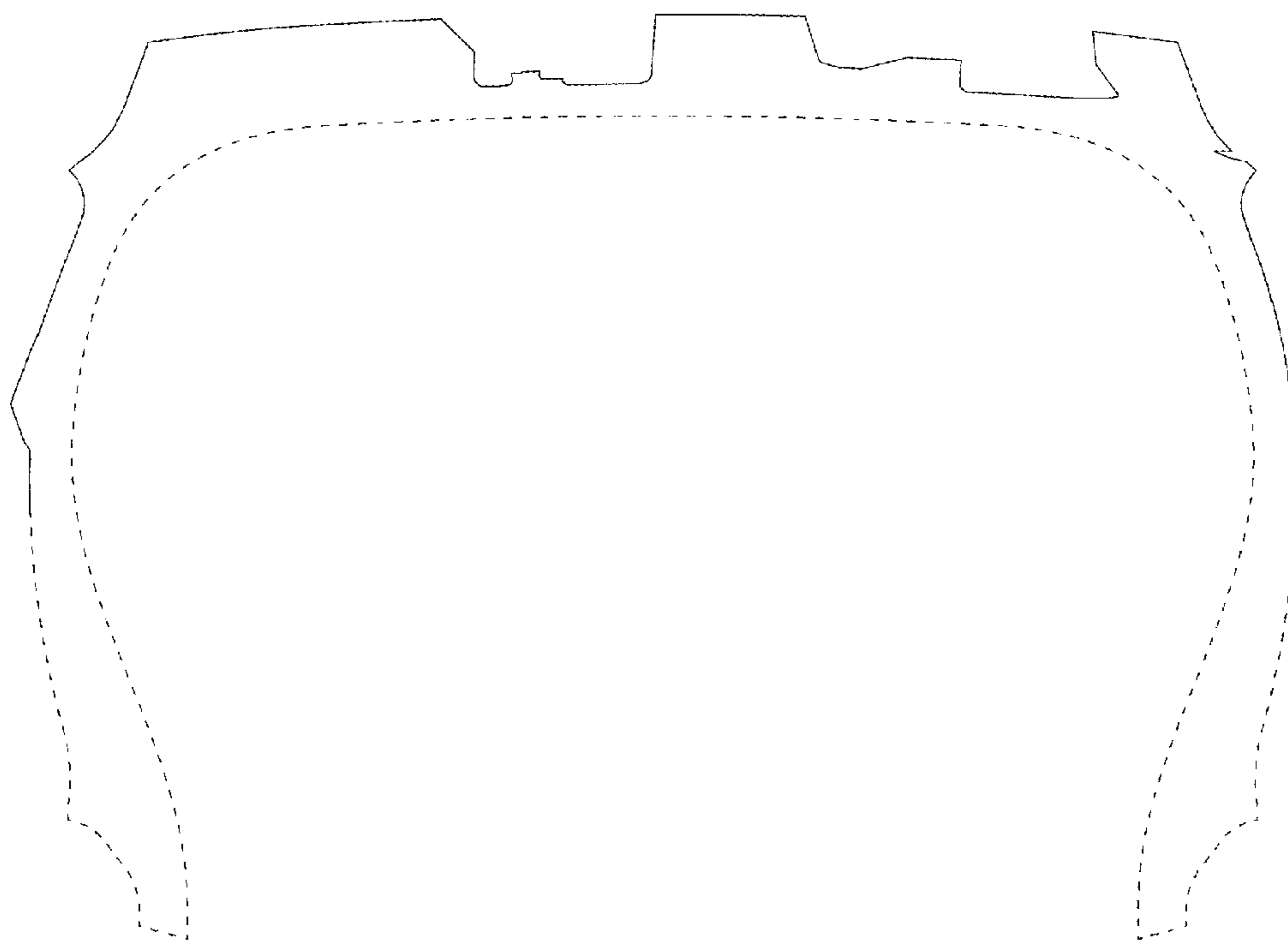


FIG. 8