

US00D753049S

(12) **United States Design Patent**
Koishikawa

(10) **Patent No.:** **US D753,049 S**

(45) **Date of Patent:** **** Apr. 5, 2016**

(54) **AUTOMOBILE TIRE TREAD**

D630,998 S * 1/2011 Schmalix D12/519
D648,668 S * 11/2011 Kujime D12/523
D650,734 S * 12/2011 Mita D12/517

(71) Applicant: **THE YOKOHAMA RUBBER CO., LTD.**, Tokyo (JP)

* cited by examiner

(72) Inventor: **Yoshifumi Koishikawa**, Hiratsuka (JP)

Primary Examiner — George D Kirschbaum

(73) Assignee: **The Yokohama Rubber Co., Ltd.** (JP)

Assistant Examiner — Natasha Vujcic

(74) *Attorney, Agent, or Firm* — RatnerPrestia

(**) Term: **14 Years**

(57) **CLAIM**

The ornamental design for an automobile tire tread, as shown and described.

(21) Appl. No.: **29/488,310**

(22) Filed: **Apr. 17, 2014**

DESCRIPTION

(30) **Foreign Application Priority Data**

Oct. 18, 2013 (JP) 2013-024332

(51) **LOC (10) Cl.** **12-15**

(52) **U.S. Cl.**
USPC **D12/523**

(58) **Field of Classification Search**
USPC D12/505-532
CPC B60C 1/00; B60C 11/00; B60C 11/03
See application file for complete search history.

FIG. 1 is a front view of an automobile tire tread showing my new design, the top plan and bottom plan views being identical thereto;

FIG. 2 is a rear view thereof;

FIG. 3 is a right side view thereof;

FIG. 4 is a left side view thereof;

FIG. 5 is a front perspective view thereof;

FIG. 6 is an enlarged, fragmentary front view thereof, taken along lines 6-6 and in the direction of arrows in FIG. 1; and, FIG. 7 is a cross sectional view of a part taken from the 7-7 line in FIG. 6, which shows only a cut section.

In the drawings, the broken lines defining the sidewall, inner bead and the peripheral boundary between the claimed tire tread and the unclaimed sidewall depict environmental subject matter that forms no part of the claimed design.

(56) **References Cited**

U.S. PATENT DOCUMENTS

D599,276 S * 9/2009 Fontaine D12/519
D601,939 S * 10/2009 Fontaine D12/523

1 Claim, 5 Drawing Sheets

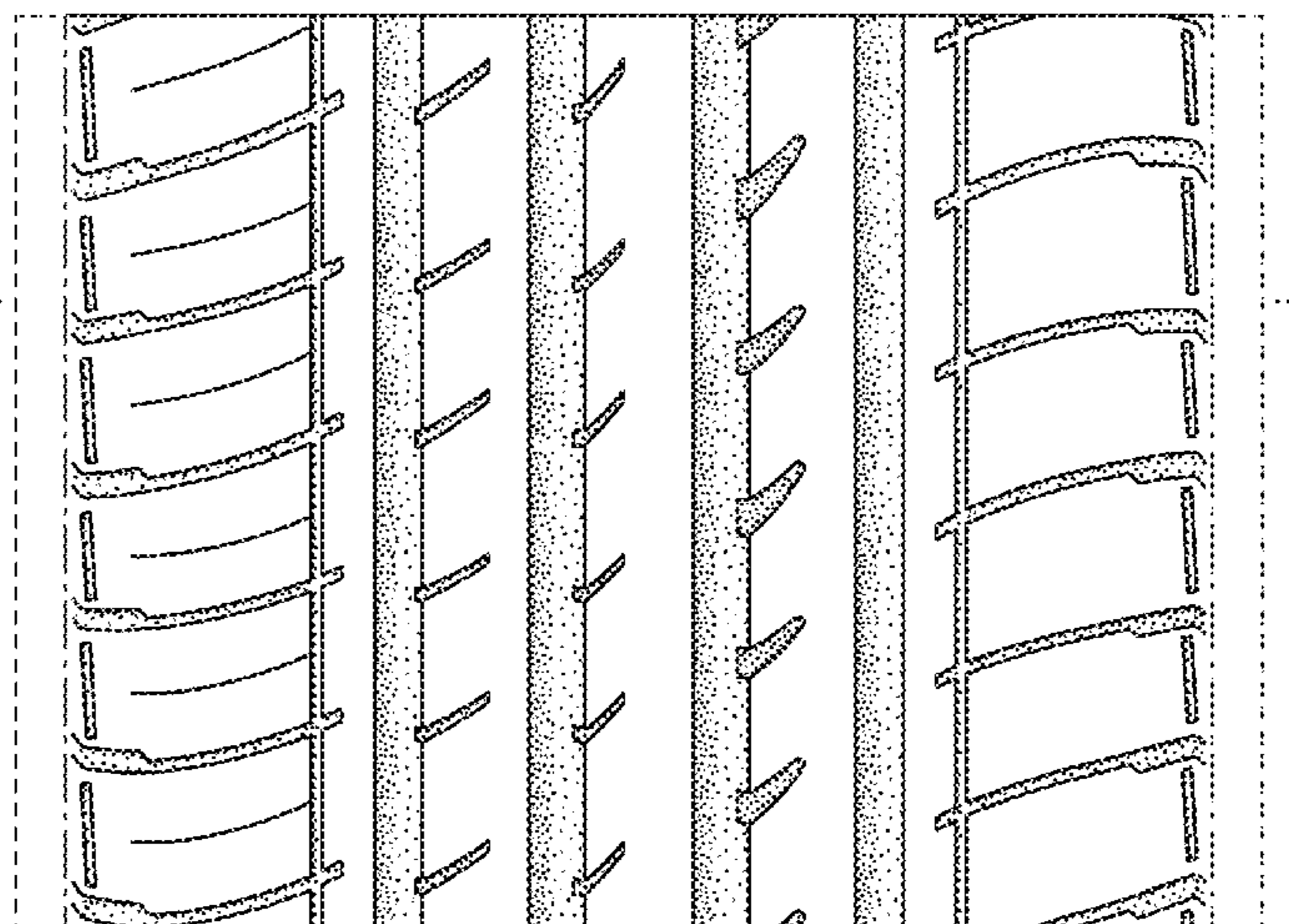
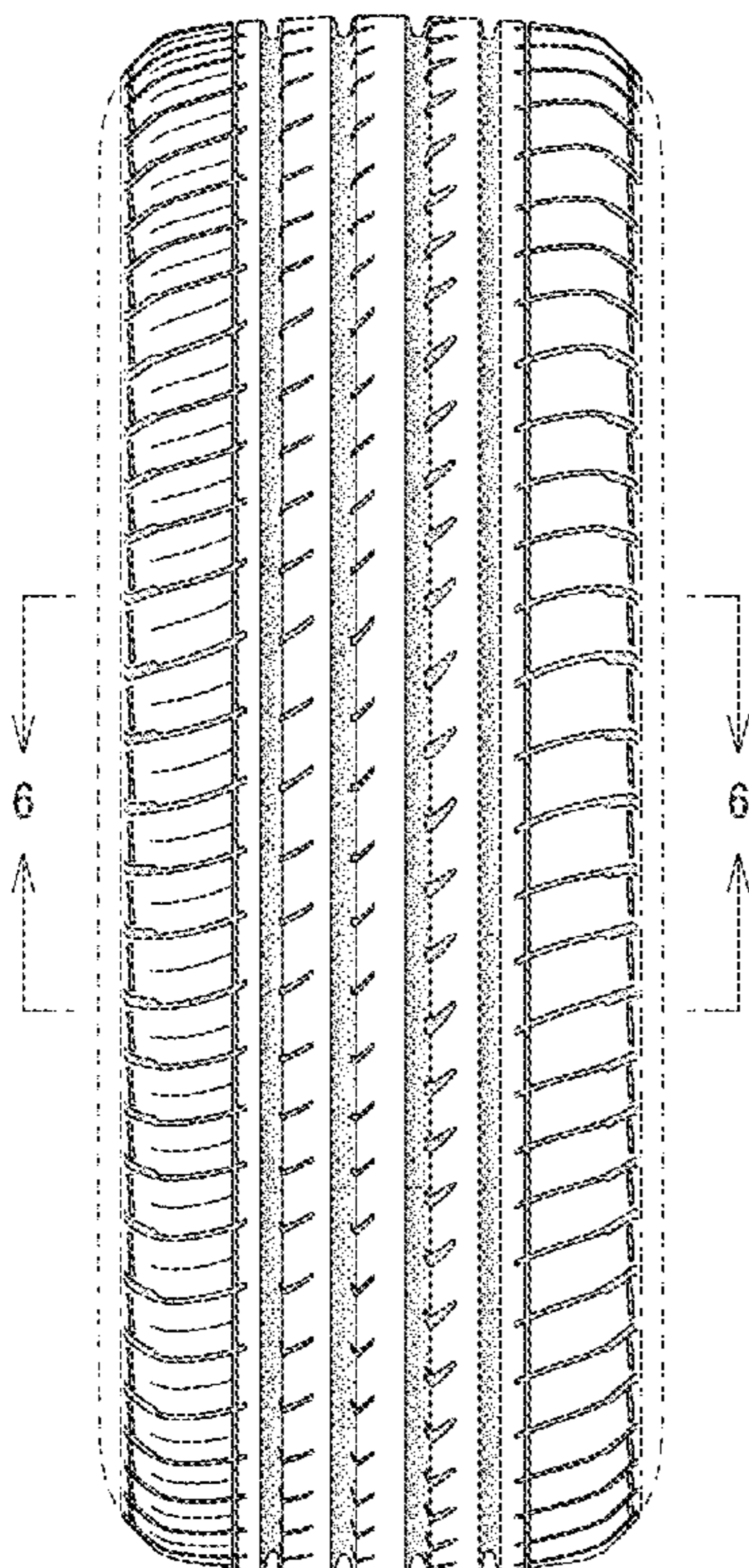


FIG. 1

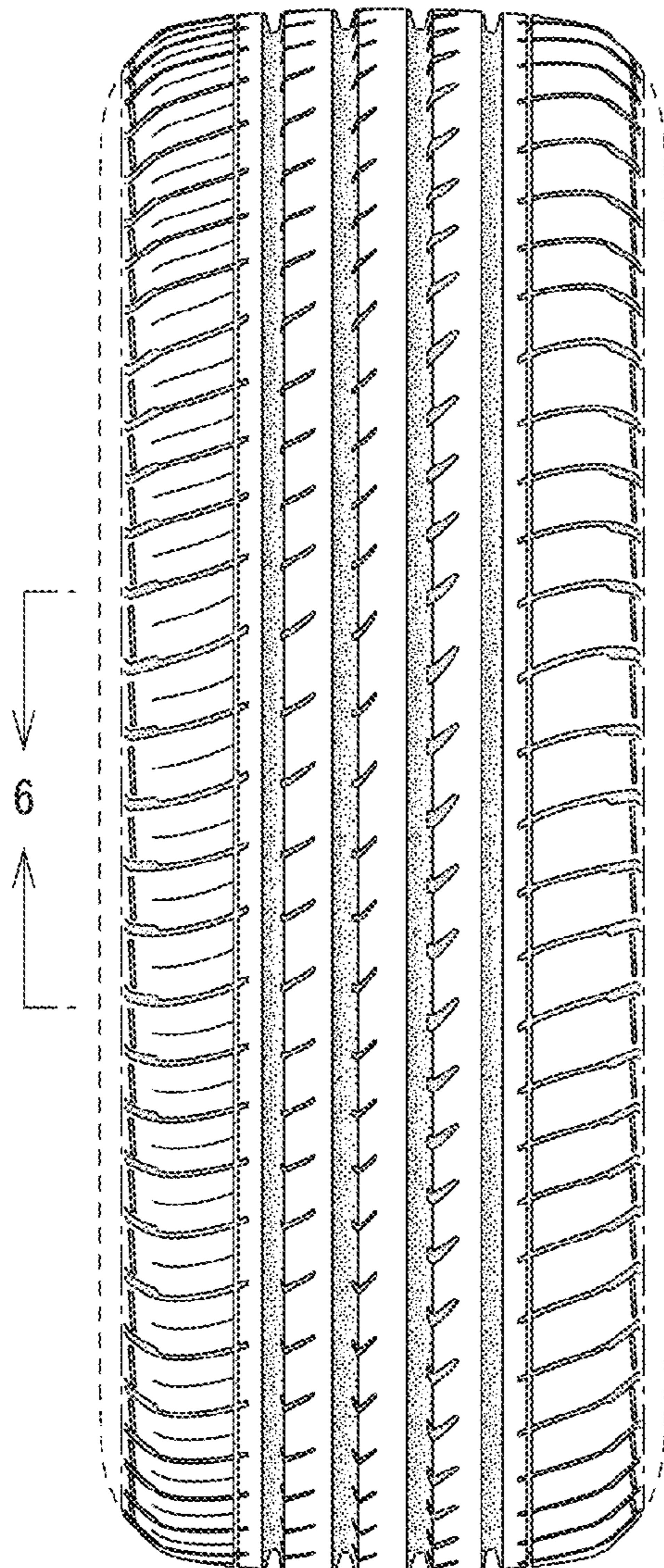


FIG. 2

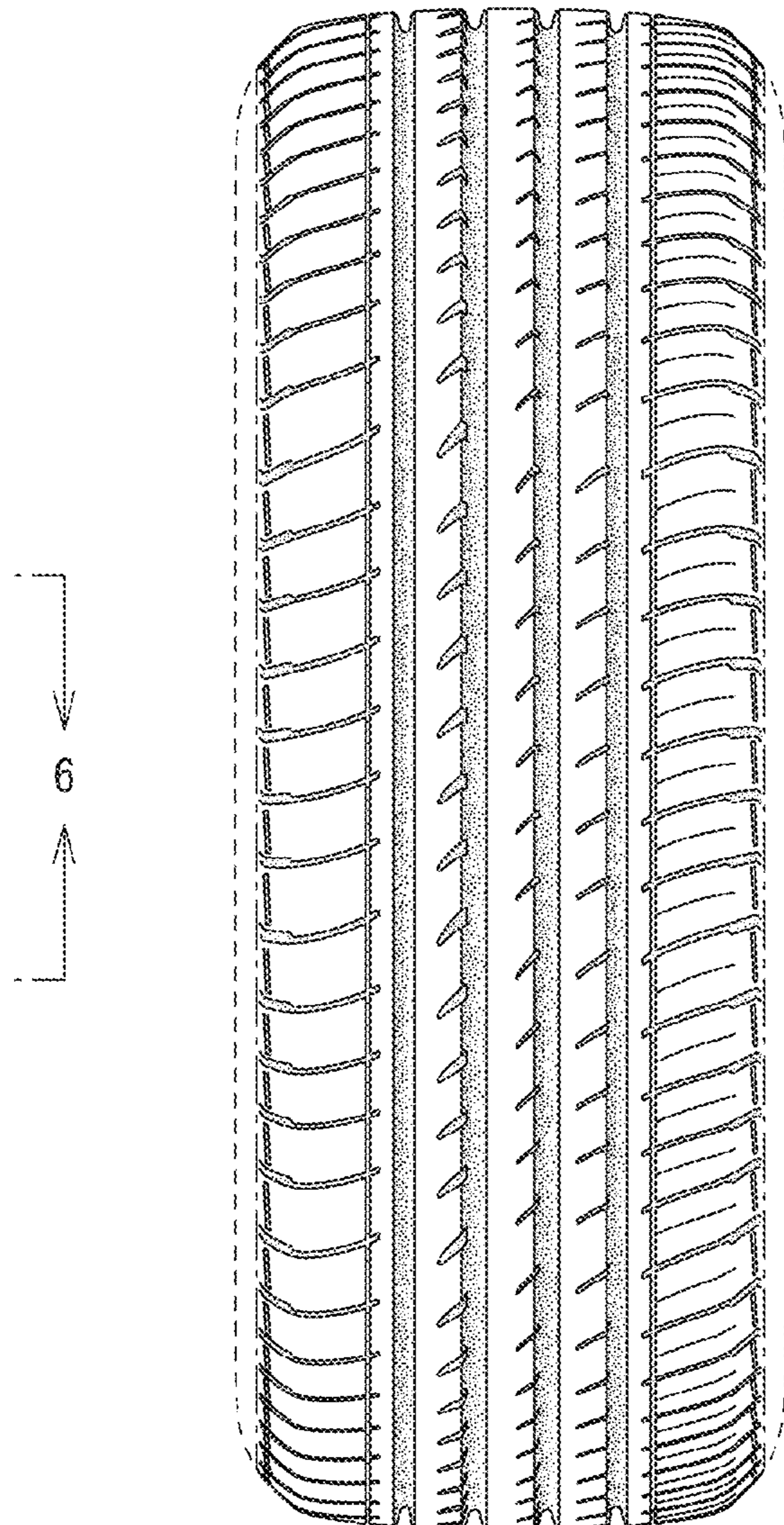


FIG. 3

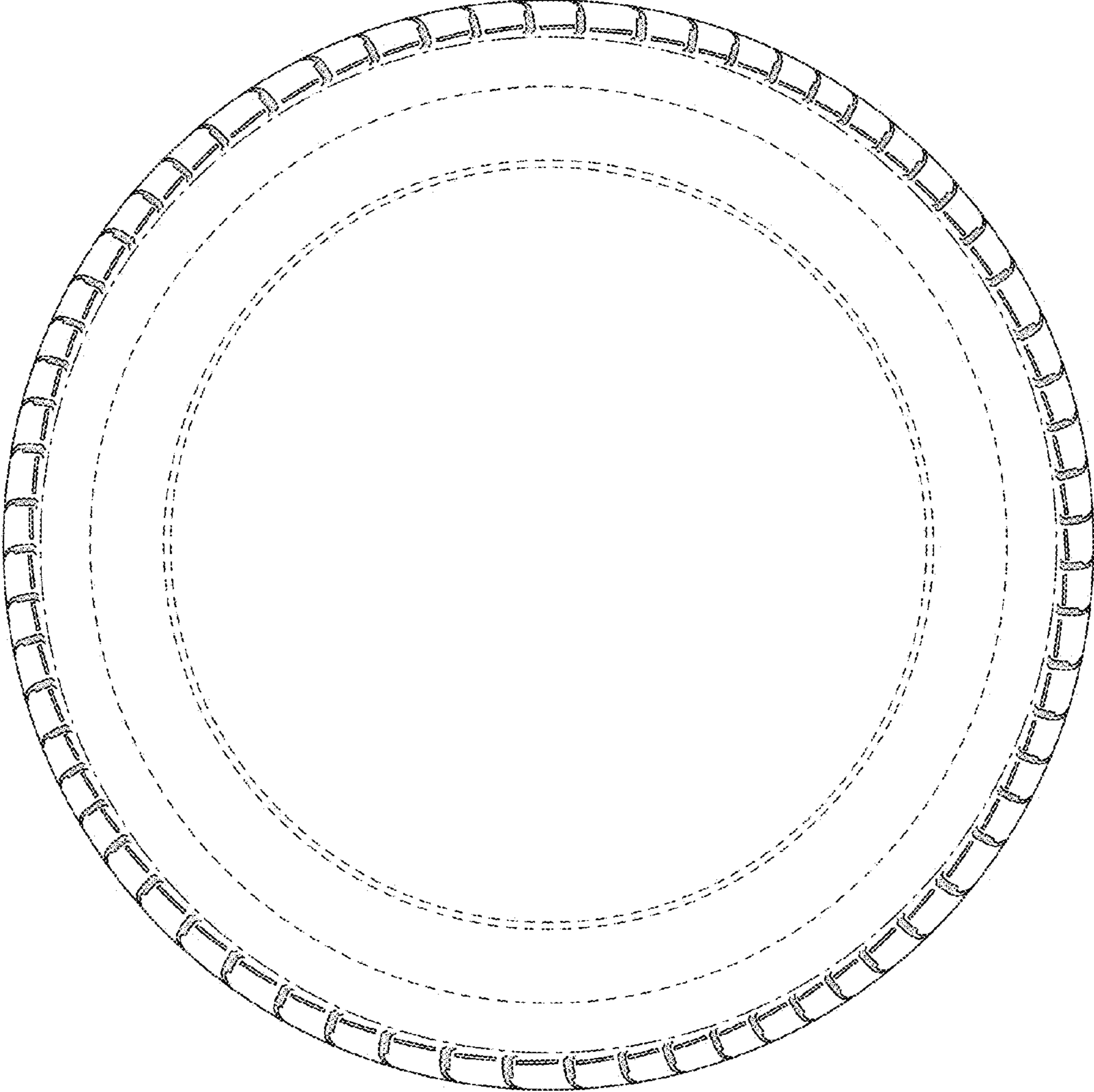


FIG. 4

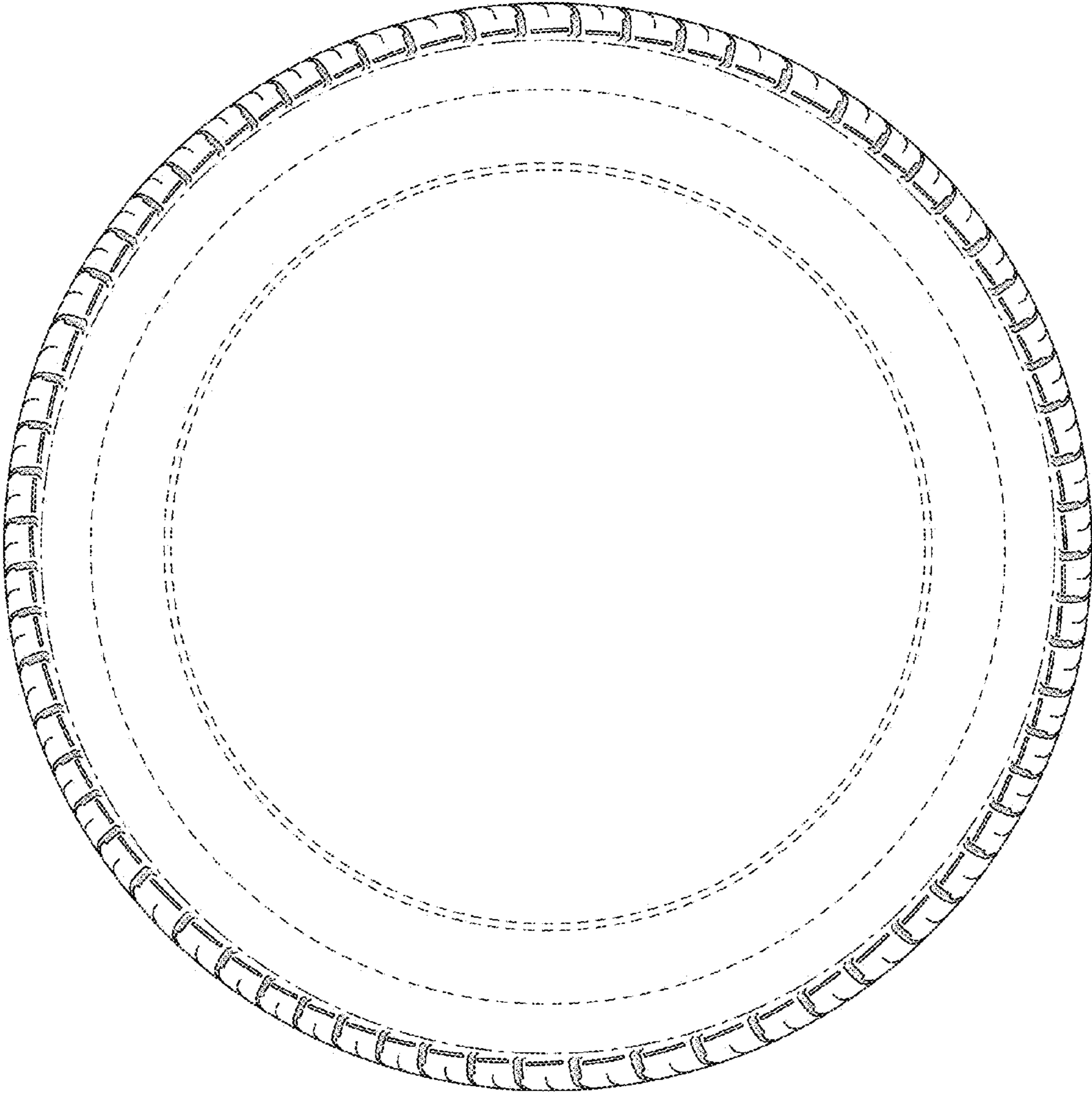


FIG. 5

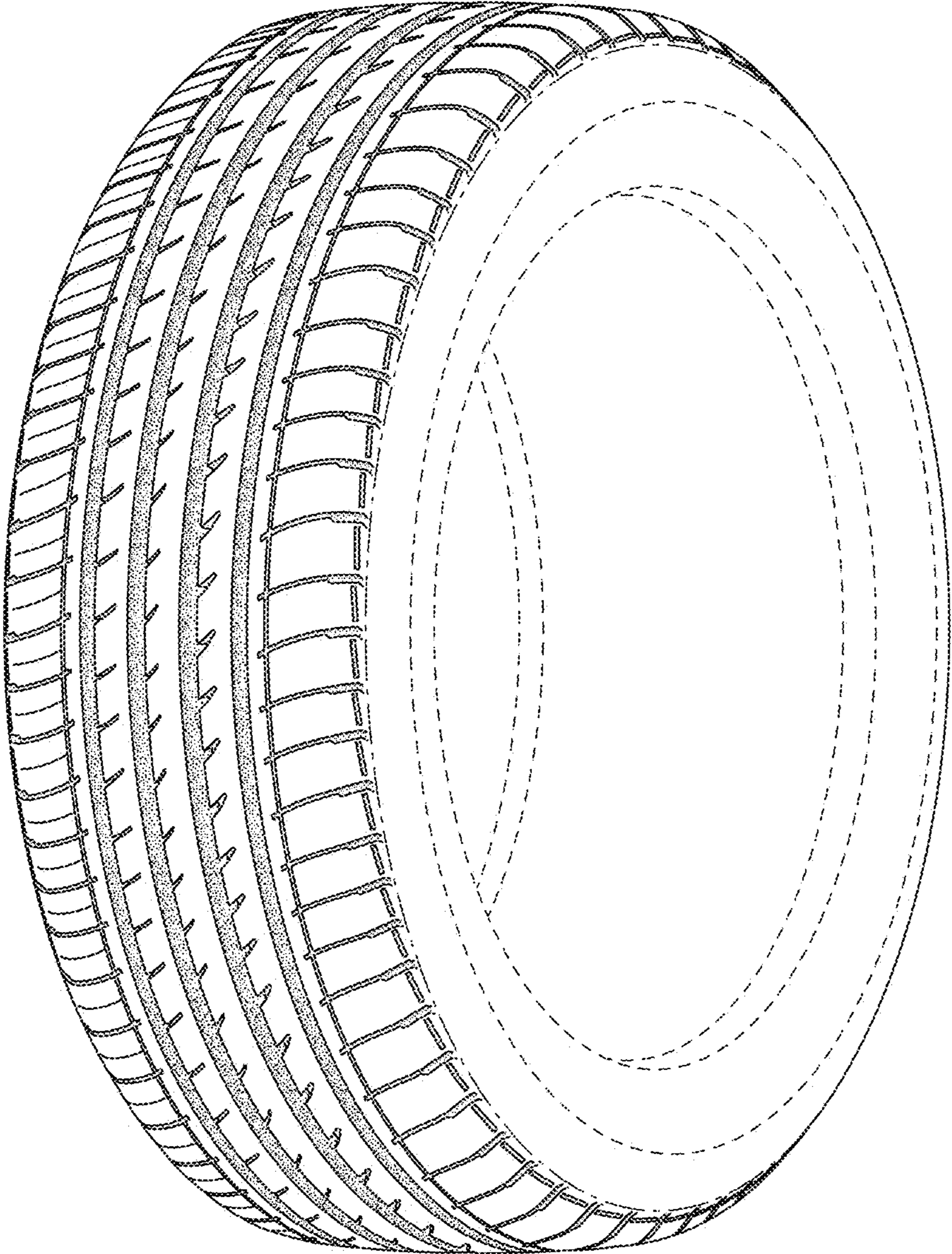


FIG. 6

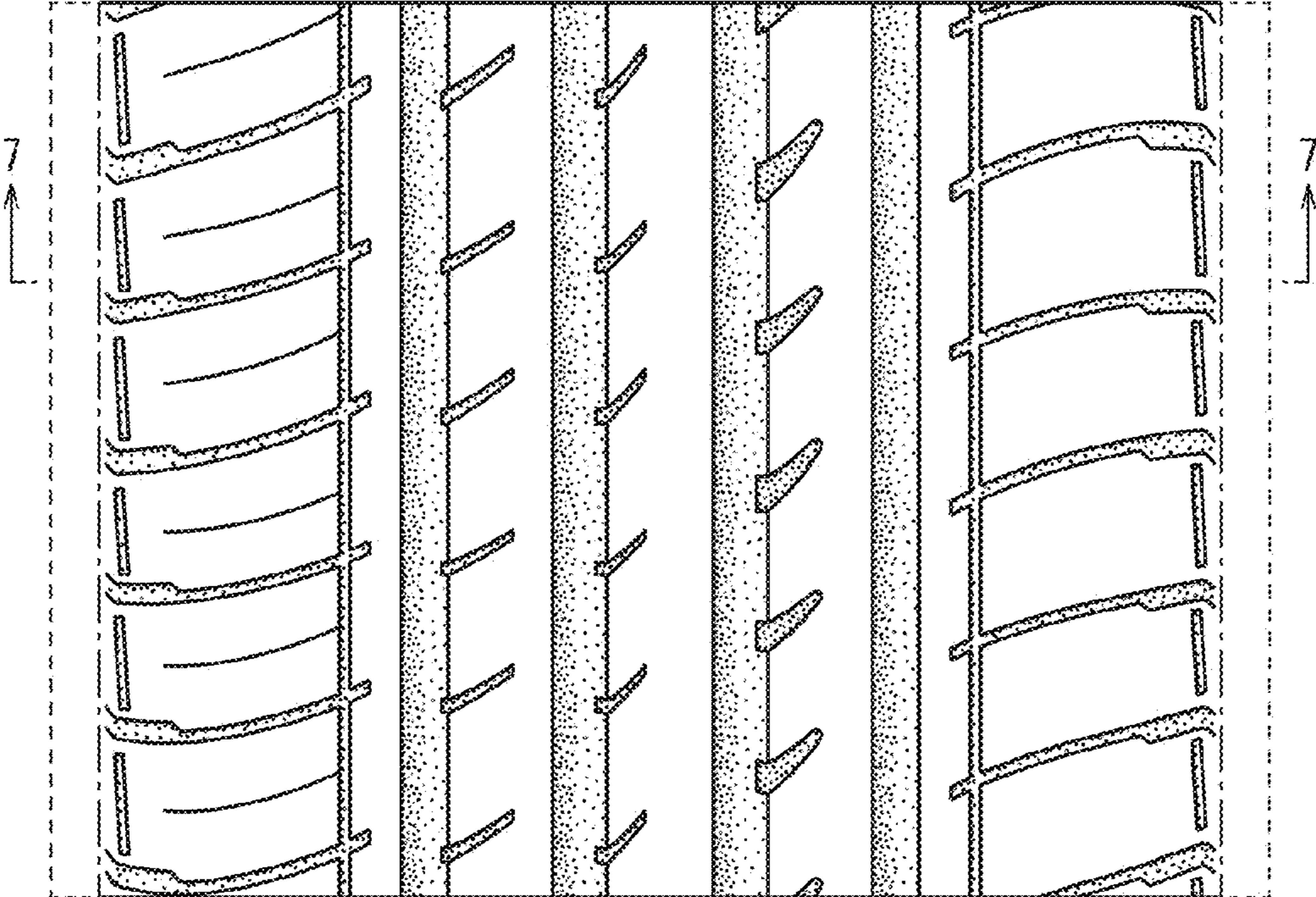


FIG. 7

