



US00D753048S

(12) **United States Design Patent**
Chan

(10) **Patent No.:** **US D753,048 S**

(45) **Date of Patent:** **** Apr. 5, 2016**

(54) **VEHICLE WHEEL**

(71) Applicant: **Quarsa, LLC**, Chino, CA (US)

(72) Inventor: **Gordon Chan**, San Dimas, CA (US)

(73) Assignee: **Quarsa, LLC**, Chino, CA (US)

(**) Term: **15 Years**

(21) Appl. No.: **29/530,680**

(22) Filed: **Jun. 18, 2015**

(51) **LOC (10) Cl.** **12-16**

(52) **U.S. Cl.**
USPC **D12/211**

(58) **Field of Classification Search**
USPC D12/204–213
CPC B60B 7/00; B60B 7/02; B60B 7/04;
B60B 7/01; B60B 7/06; B60B 3/02; B60B
3/04; B60B 3/06; B60B 3/10; B60B 1/00;
B60B 1/08; B60B 1/10; B60B 1/12
See application file for complete search history.

(56) **References Cited**

U.S. PATENT DOCUMENTS

D480,036 S * 9/2003 Laengerer D12/211
D579,845 S * 11/2008 Chung D12/209

D649,107 S * 11/2011 Hale, Jr. D12/211
D675,971 S * 2/2013 Lee D12/209
D691,543 S * 10/2013 Gordon D12/209
D702,172 S * 4/2014 Chung D12/211
D706,197 S * 6/2014 Chung D12/211
D719,893 S * 12/2014 Kim D12/211
D726,630 S * 4/2015 Kong D12/211
D731,946 S * 6/2015 Chung D12/211

* cited by examiner

Primary Examiner — Stacia Cadmus

(74) *Attorney, Agent, or Firm* — Snell & Wilmer LLP

(57) **CLAIM**

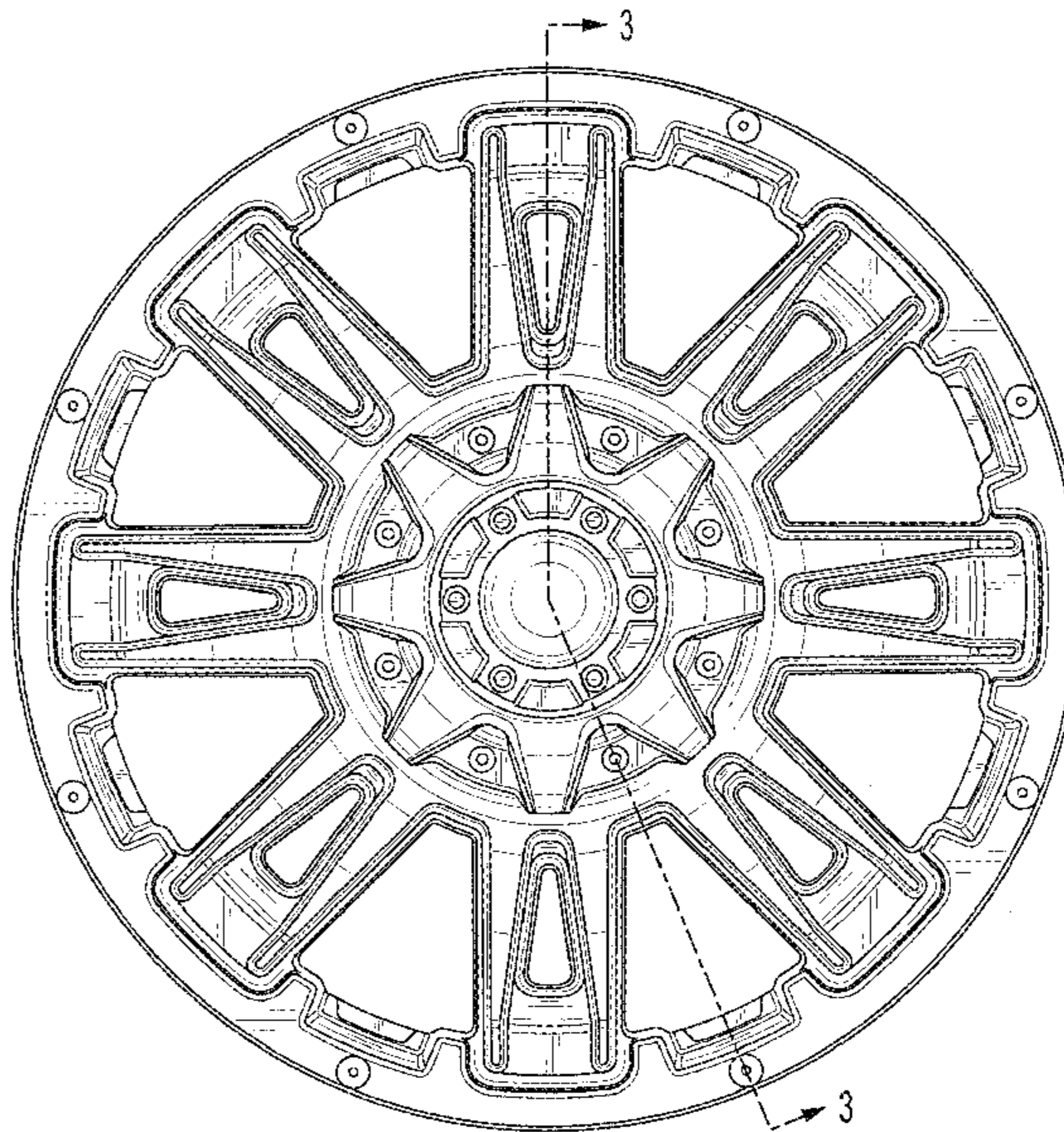
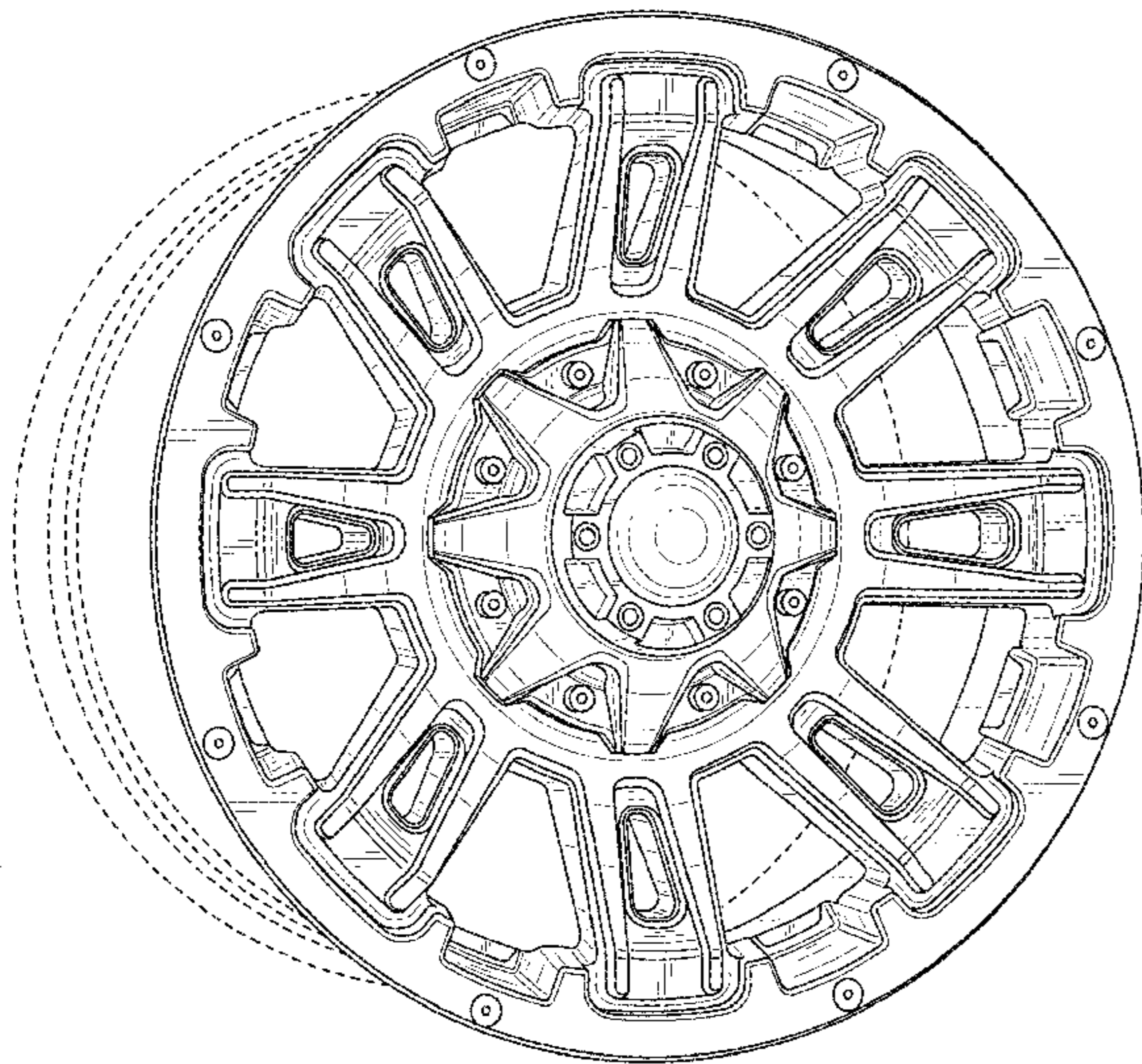
I claim the ornamental design for a vehicle wheel, as shown and described.

DESCRIPTION

FIG. 1 is a perspective view of the vehicle wheel showing my new design;
FIG. 2 is a front view of the vehicle wheel; and,
FIG. 3 is a cross-sectional view taken along the line 3-3 of FIG. 2.

The broken lines showing portions of the vehicle wheel are for illustrative purposes only and form no part of the claimed design.

1 Claim, 3 Drawing Sheets



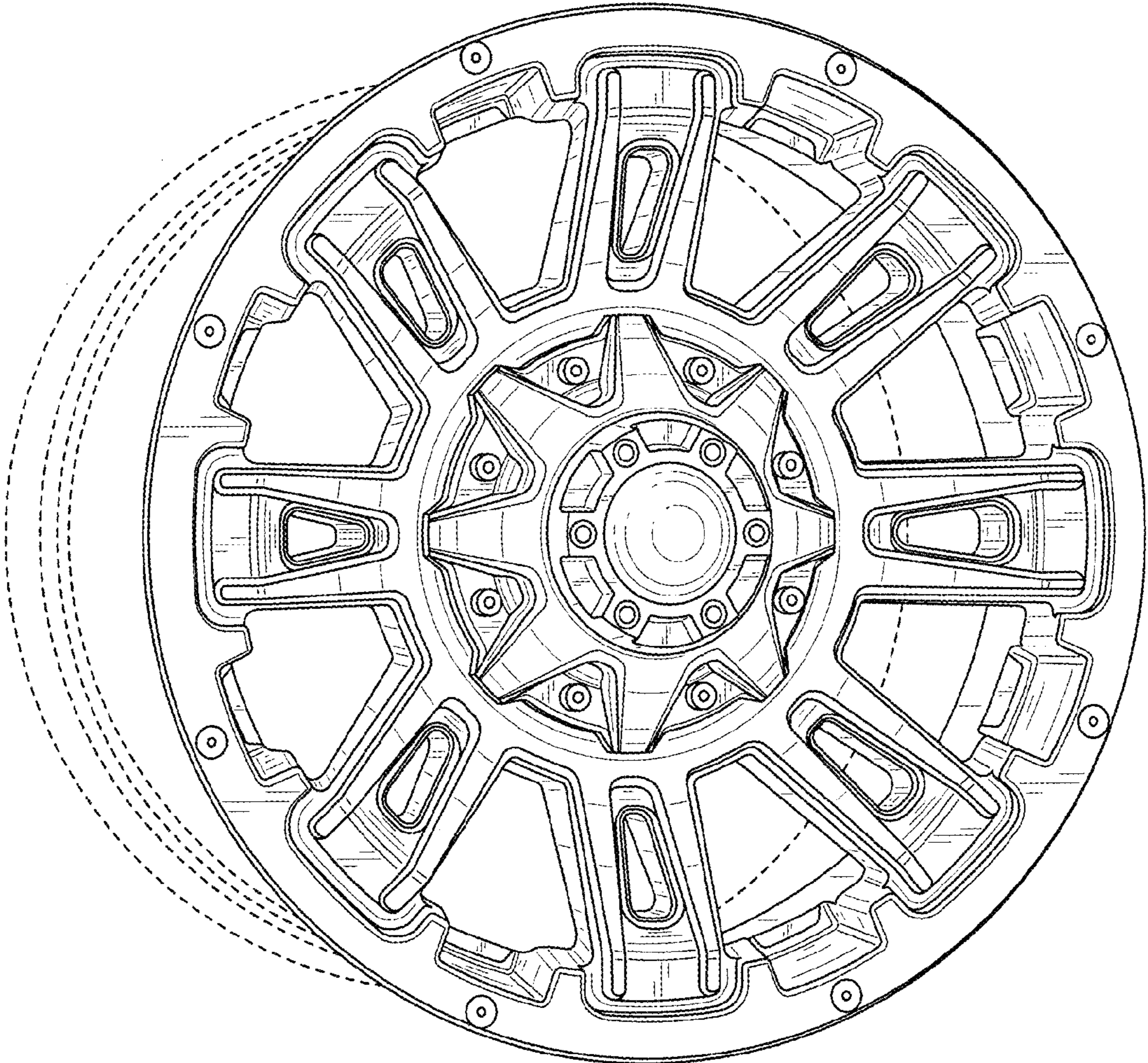


FIG. 1

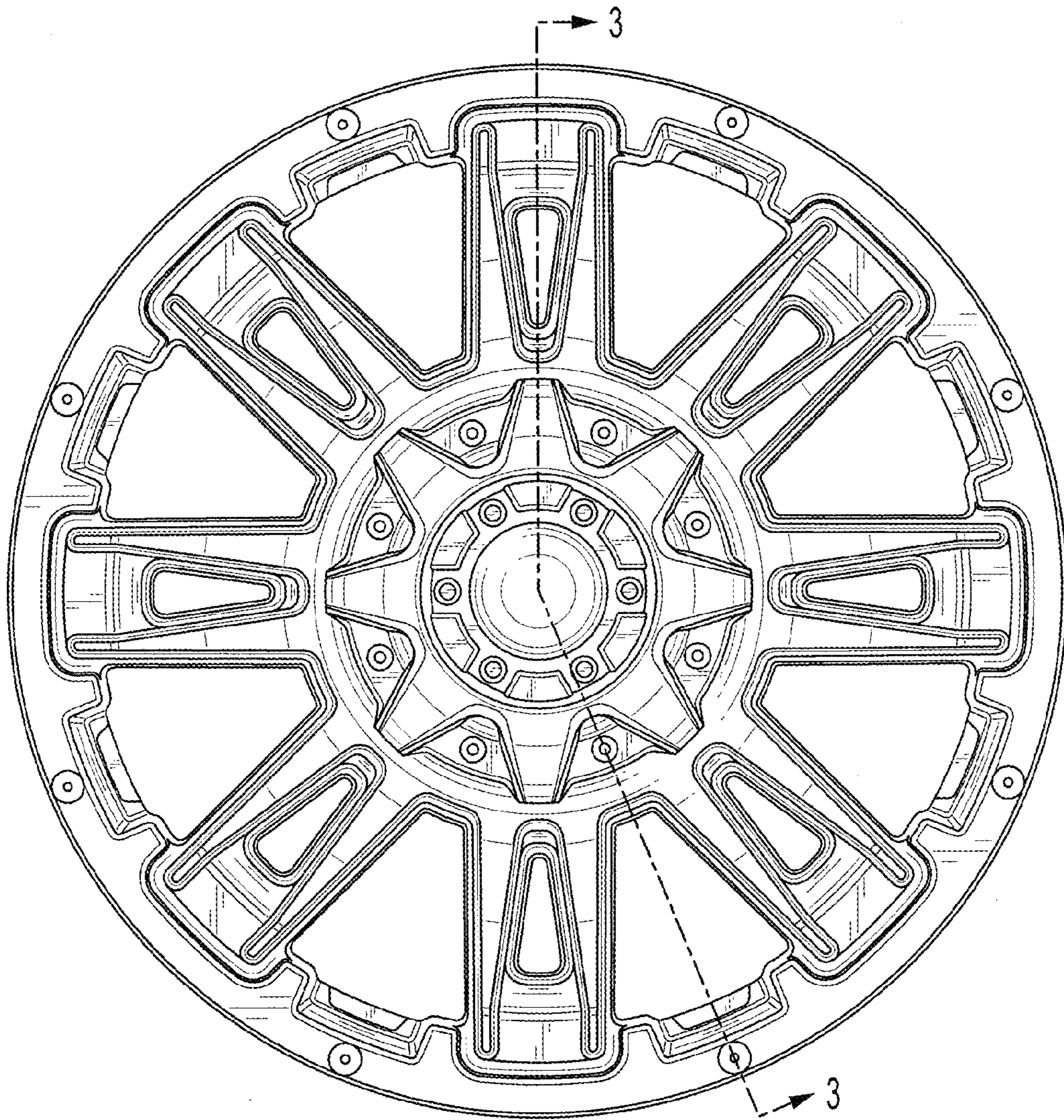


FIG. 2

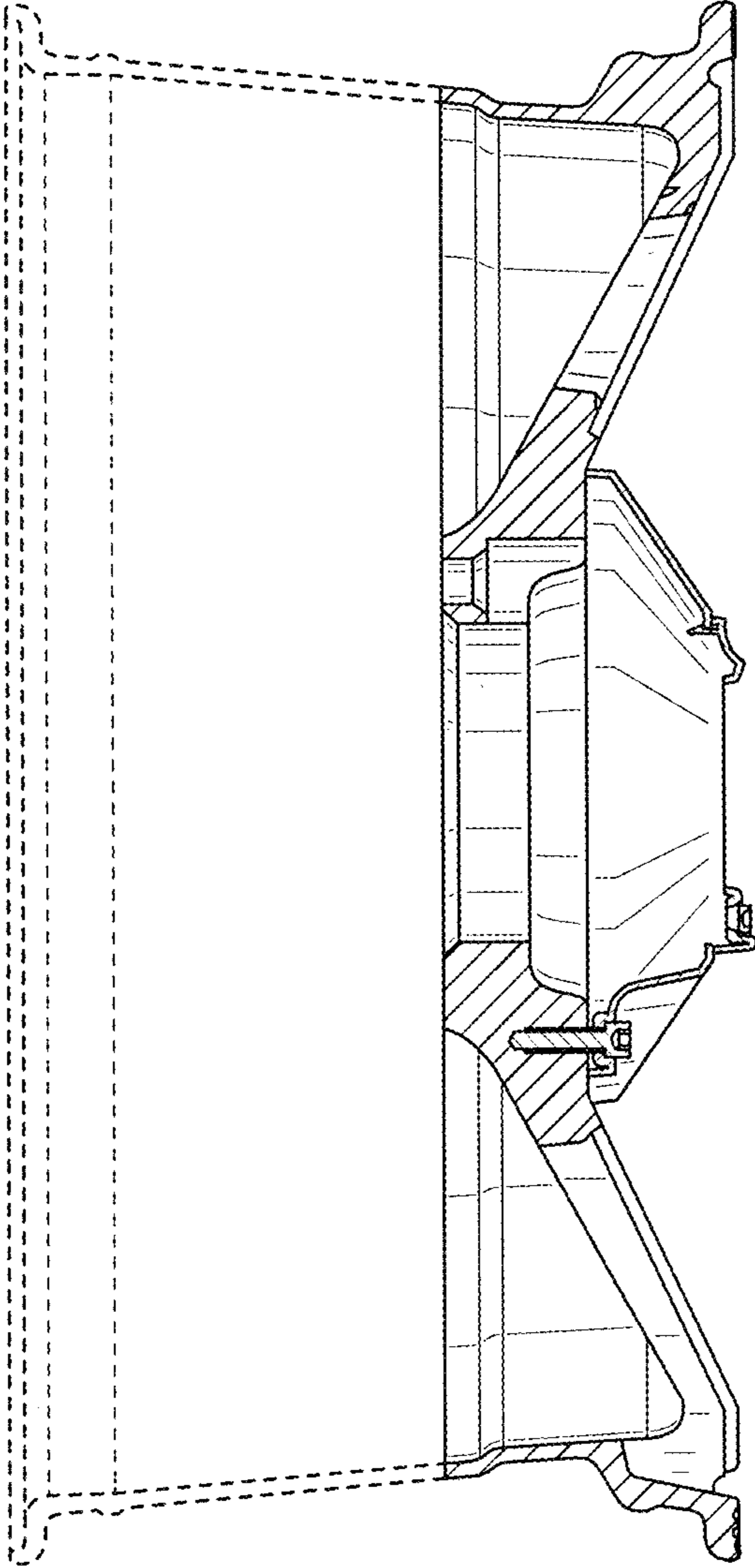


FIG. 3