



US00D753046S

(12) **United States Design Patent**  
**Liffick**

(10) **Patent No.:** **US D753,046 S**

(45) **Date of Patent:** **\*\* Apr. 5, 2016**

(54) **VEHICLE WHEEL**

(71) Applicant: **Quarsa, LLC**, Chino, CA (US)

(72) Inventor: **Fenton Liffick**, Anaheim Hills, CA (US)

(73) Assignee: **Quarsa, LLC**, Chino, CA (US)

(\*\*) Term: **15 Years**

(21) Appl. No.: **29/541,445**

(22) Filed: **Oct. 2, 2015**

(51) **LOC (10) Cl.** ..... **12-16**

(52) **U.S. Cl.**  
USPC ..... **D12/209**

(58) **Field of Classification Search**  
USPC ..... D12/204-213  
CPC ..... B60B 7/00; B60B 7/02; B60B 7/04;  
B60B 7/01; B60B 7/06; B60B 3/02; B60B  
3/04; B60B 3/06; B60B 3/10; B60B 1/00;  
B60B 1/08; B60B 1/10; B60B 1/12  
See application file for complete search history.

(56) **References Cited**

**U.S. PATENT DOCUMENTS**

D501,815 S \* 2/2005 Weld ..... D12/209  
D506,719 S \* 6/2005 Chen ..... D12/211

D519,436 S \* 4/2006 Chen ..... D12/211  
D522,438 S \* 6/2006 Kern ..... D12/209  
D528,955 S \* 9/2006 Kim ..... D12/209  
D557,650 S \* 12/2007 Musser ..... D12/211  
D593,019 S \* 5/2009 Tirado ..... D12/209  
D635,903 S \* 4/2011 Zhang ..... D12/209  
D657,296 S \* 4/2012 Johnson ..... D12/209  
D717,709 S \* 11/2014 Valencia Pollex ..... D12/209

\* cited by examiner

*Primary Examiner* — Stacia Cadmus

(74) *Attorney, Agent, or Firm* — Snell & Wilmer LLP

(57) **CLAIM**

I claim the ornamental design for a vehicle wheel, as shown and described.

**DESCRIPTION**

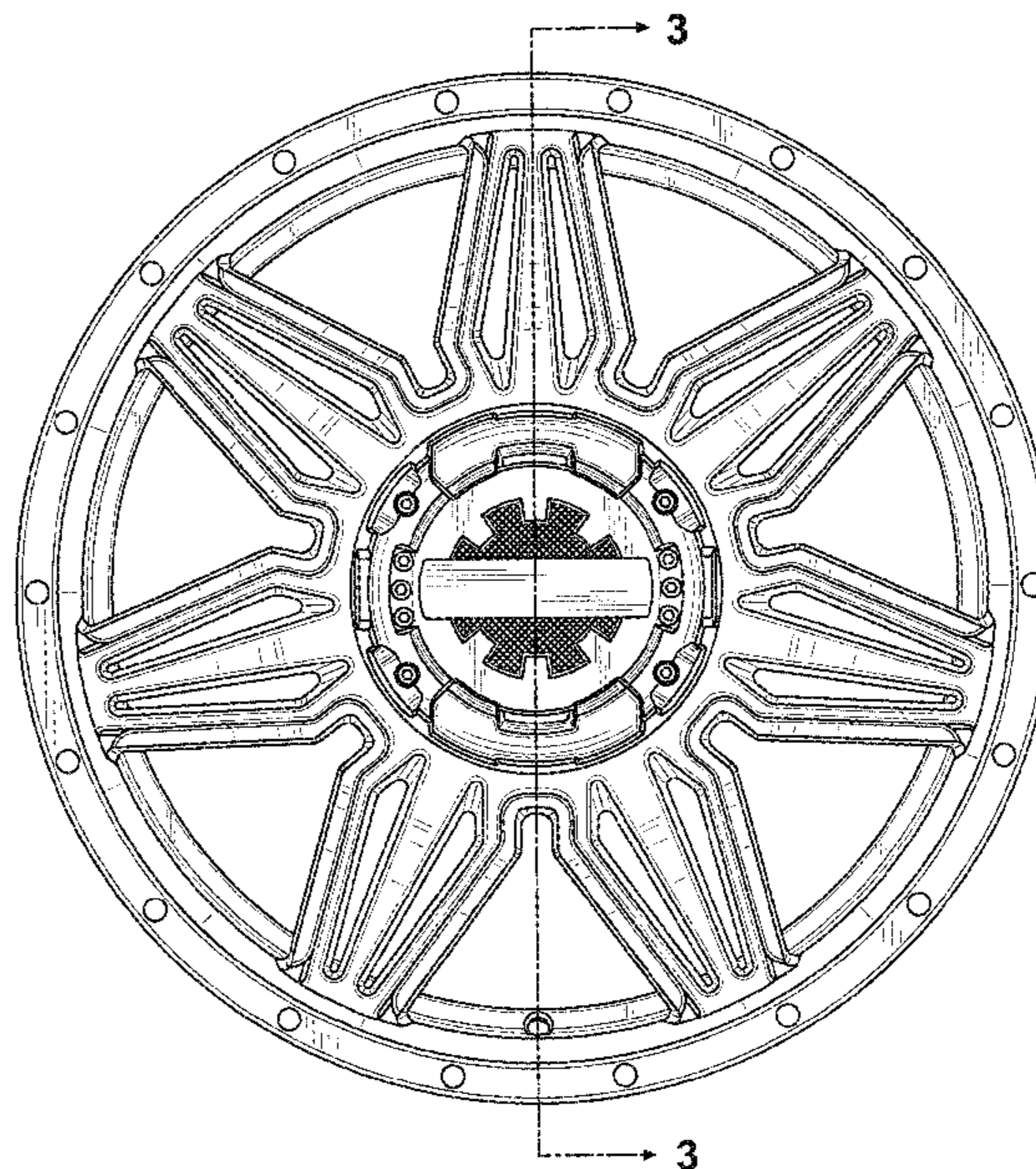
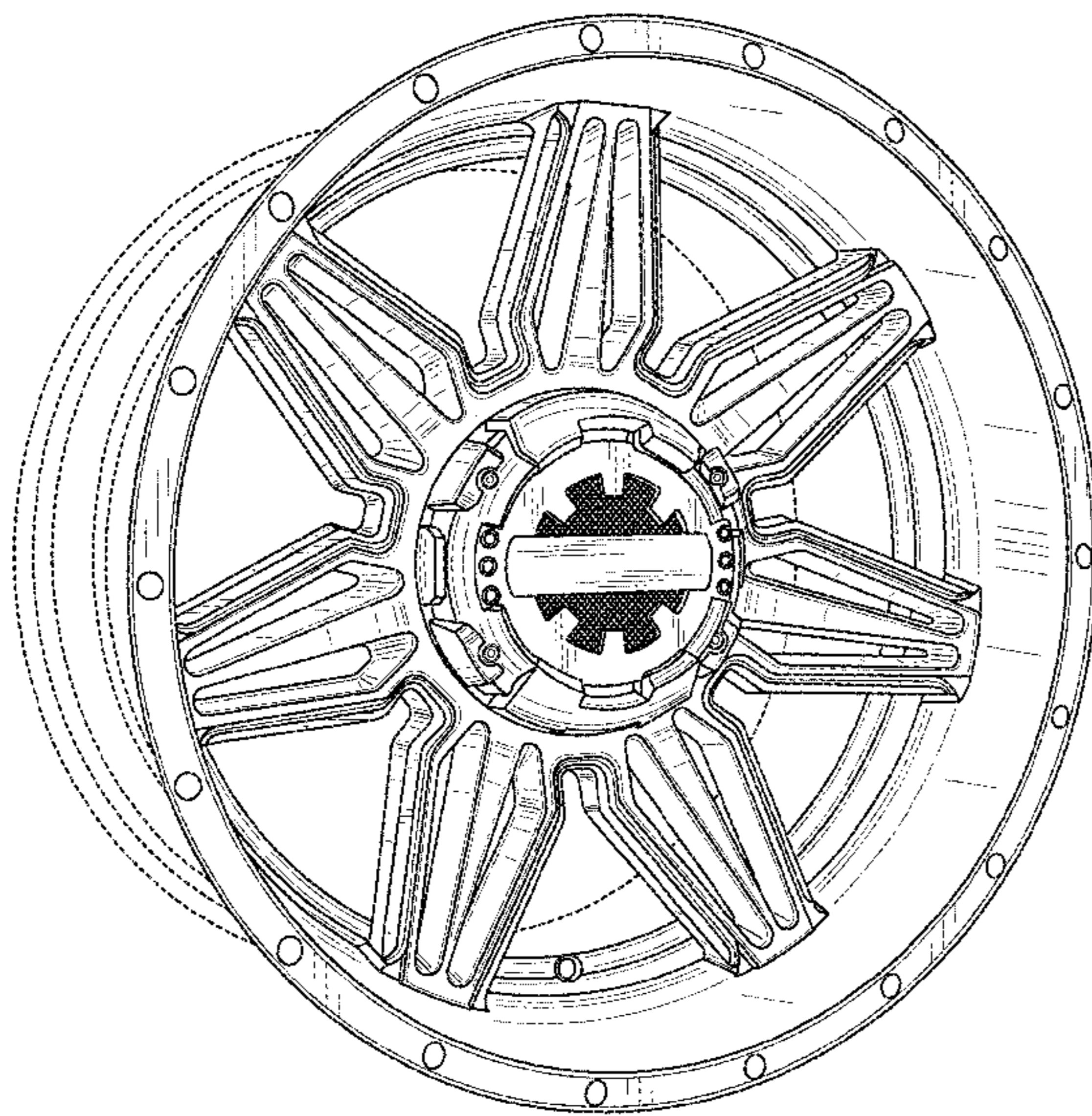
FIG. 1 is a perspective view of the vehicle wheel showing my new design;

FIG. 2 is a front view of the vehicle wheel; and,

FIG. 3 is a cross-sectional view taken along the line 3-3 of FIG. 2.

The broken lines showing portions of the vehicle wheel are for illustrative purposes only and form no part of the claimed design.

**1 Claim, 3 Drawing Sheets**



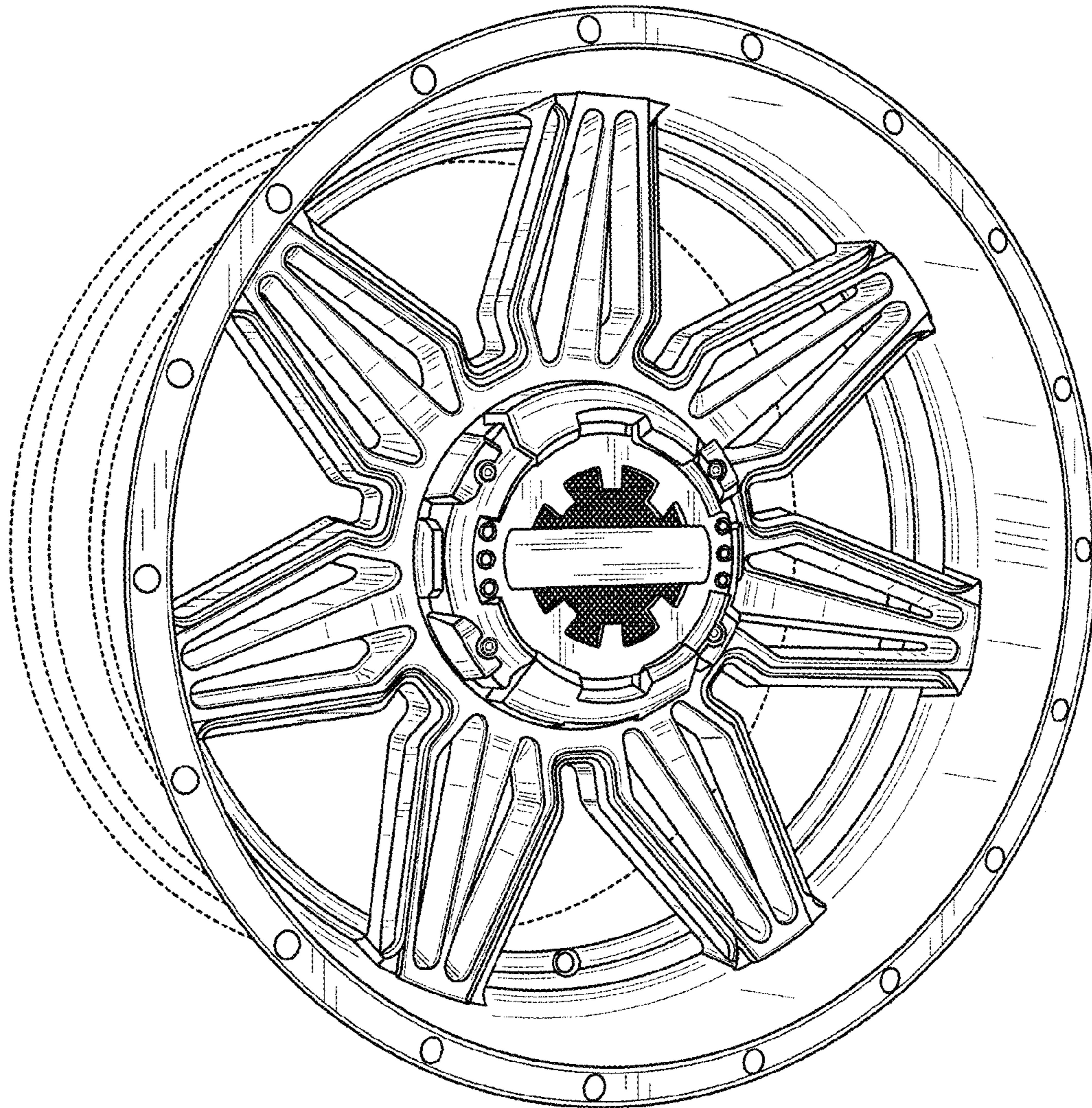


FIG. 1

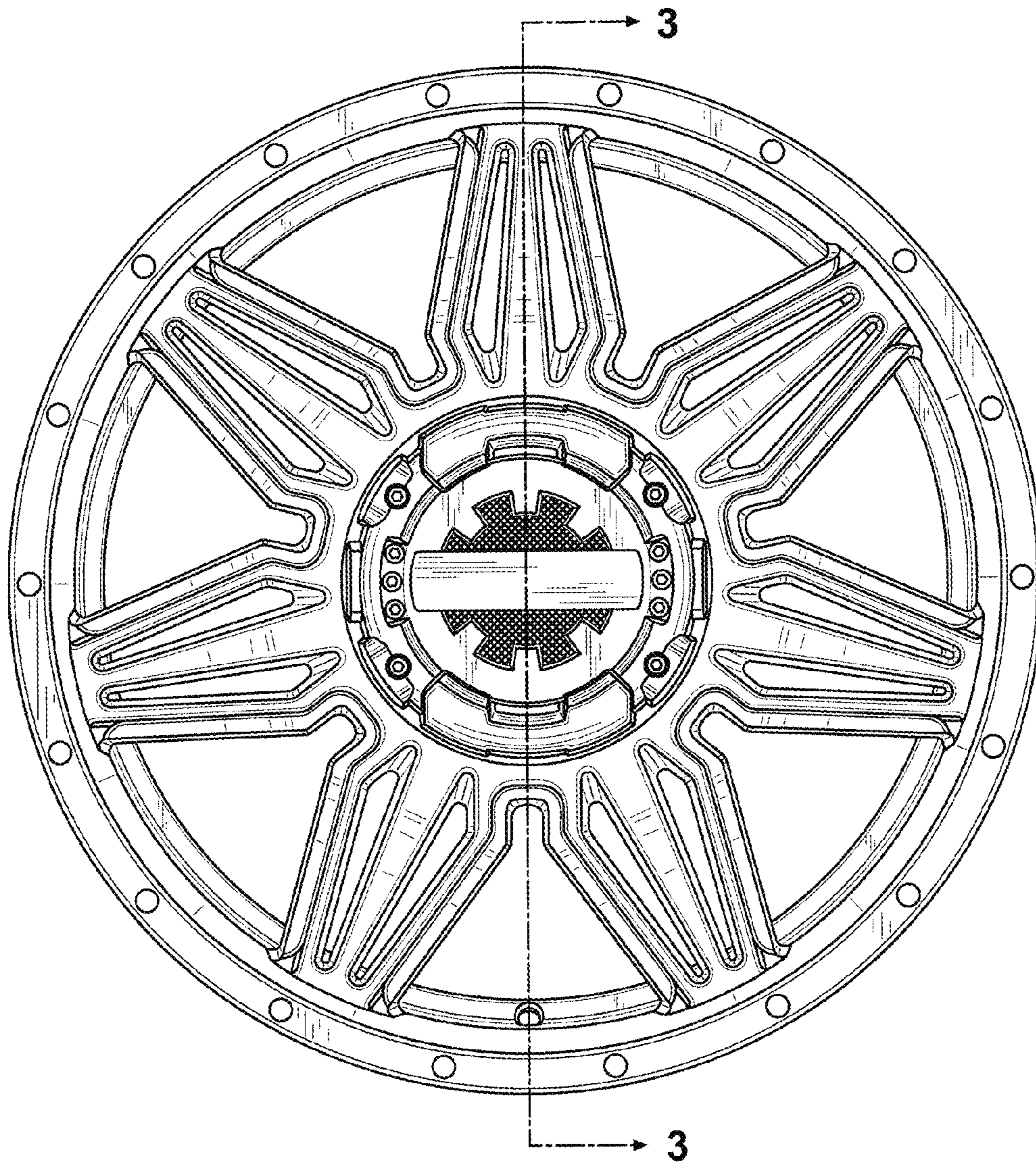


FIG. 2

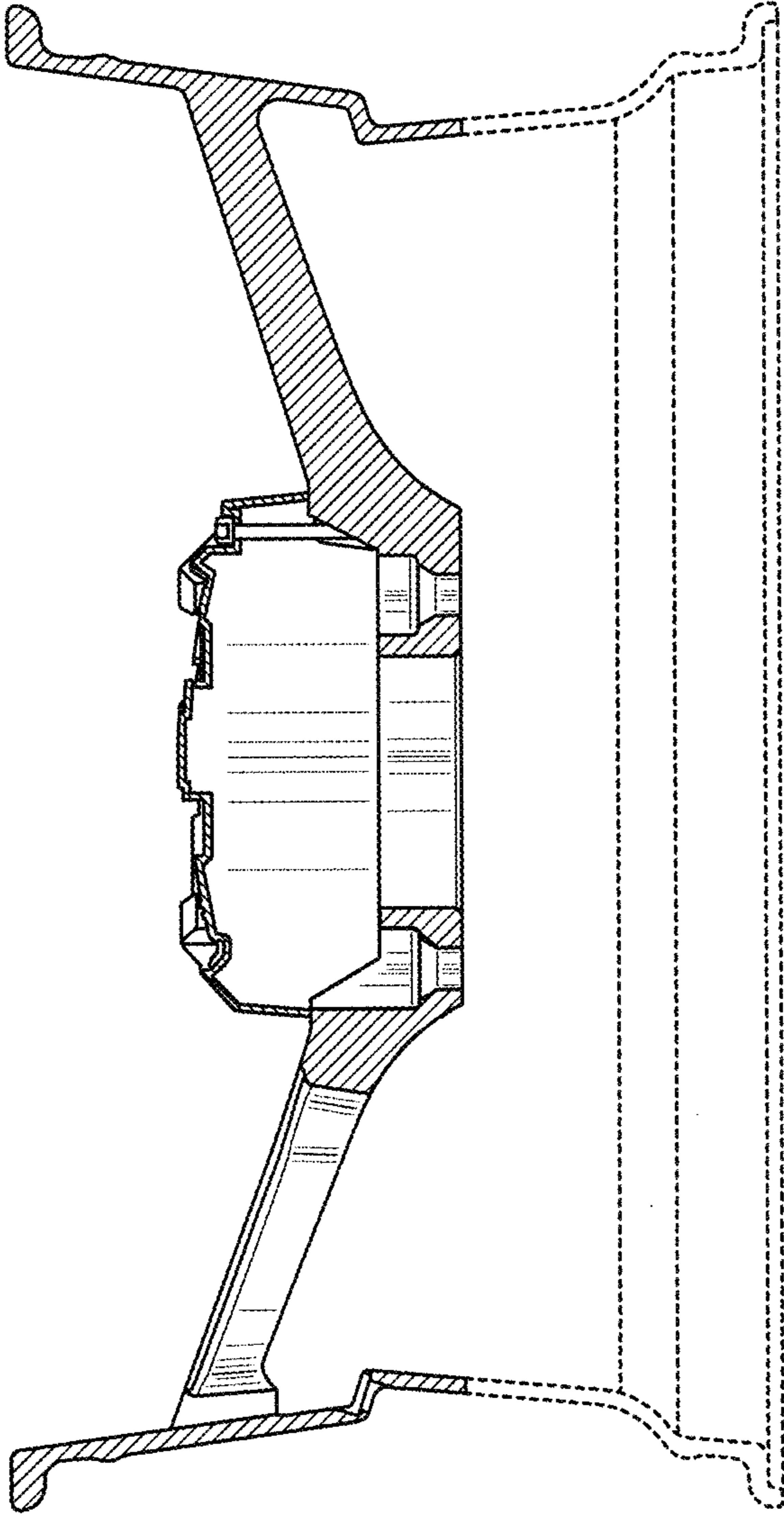


FIG. 3