



US00D753041S

(12) **United States Design Patent**
Kim

(10) **Patent No.:** **US D753,041 S**

(45) **Date of Patent:** **** Apr. 5, 2016**

(54) **AUTOMOTIVE WHEEL**

(71) Applicant: **Paul J. Kim**, City of Industry, CA (US)

(72) Inventor: **Paul J. Kim**, City of Industry, CA (US)

(73) Assignee: **The Wheel Group**, City of Industry, CA (US)

(**) Term: **14 Years**

(21) Appl. No.: **29/463,994**

(22) Filed: **Apr. 28, 2014**

(51) **LOC (10) Cl.** **12-16**

(52) **U.S. Cl.**
USPC **D12/209**

(58) **Field of Classification Search**
USPC D12/204–213
CPC B60B 7/00; B60B 7/02; B60B 7/04;
B60B 7/01; B60B 7/06; B60B 3/02; B60B
3/04; B60B 3/06; B60B 3/10; B60B 1/00;
B60B 1/08; B60B 1/10; B60B 1/12
See application file for complete search history.

(56) **References Cited**

U.S. PATENT DOCUMENTS

D361,976 S * 9/1995 Echazabal D12/211
D375,073 S * 10/1996 Theiss D12/209

D458,208 S * 6/2002 Hartl D12/211
D486,112 S * 2/2004 Lecher D12/211
D515,996 S * 2/2006 Baumgartner D12/209
D526,946 S * 8/2006 Takechi D12/209
D528,059 S * 9/2006 Hieke D12/209
D535,240 S * 1/2007 Chang D12/211
D548,164 S * 8/2007 Young D12/211
D596,100 S * 7/2009 Aroney D12/211
D639,220 S * 6/2011 Zhao D12/209
D651,957 S * 1/2012 Chung D12/209
D712,329 S * 9/2014 Borkert D12/209
D722,545 S * 2/2015 Chung D12/209
D736,136 S * 8/2015 Hale, Jr. D12/213
D741,241 S * 10/2015 Hale, Jr. D12/211

* cited by examiner

Primary Examiner — Stacia Cadmus

(57) **CLAIM**

The ornamental design for an automotive wheel, as shown and described.

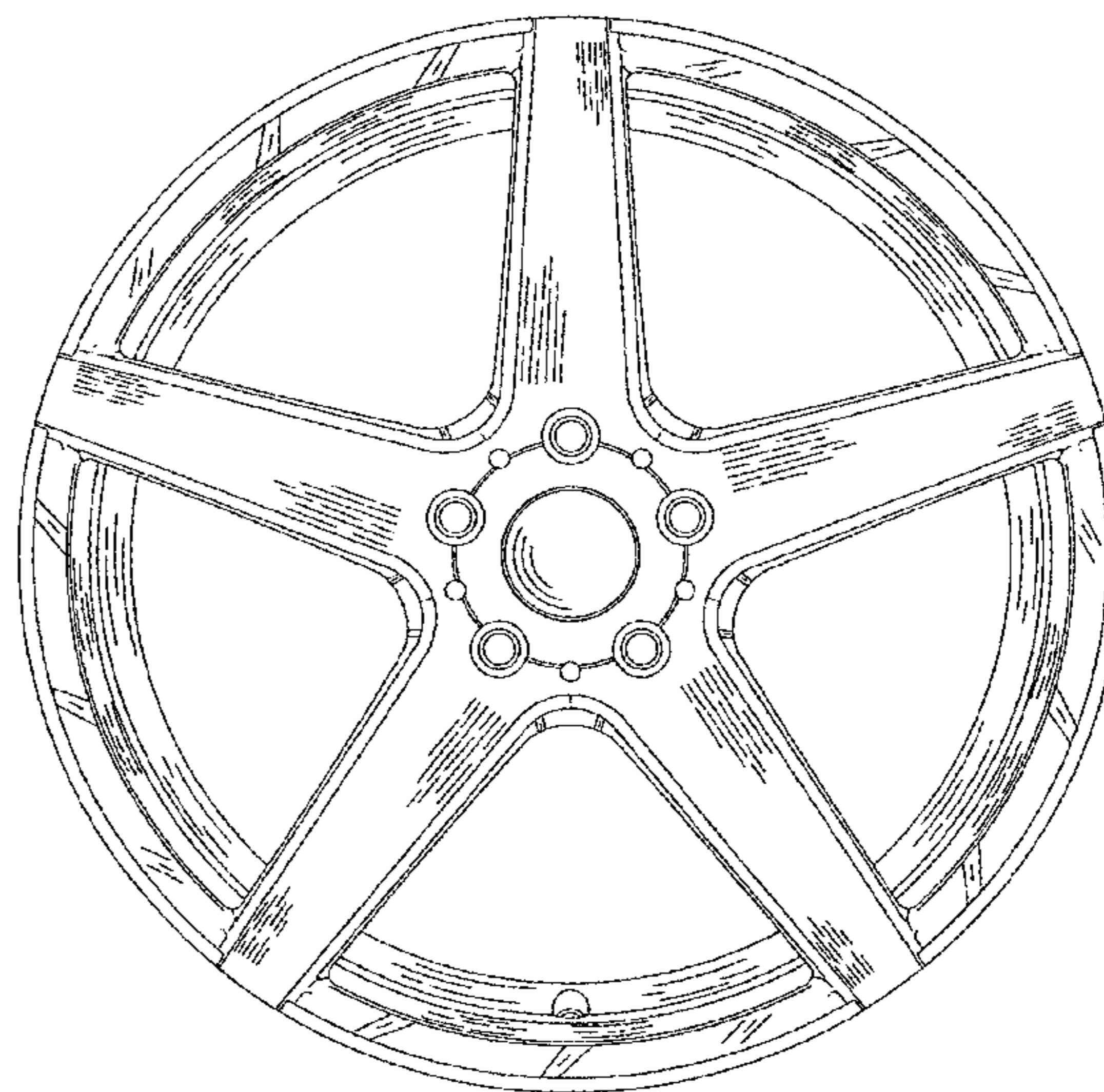
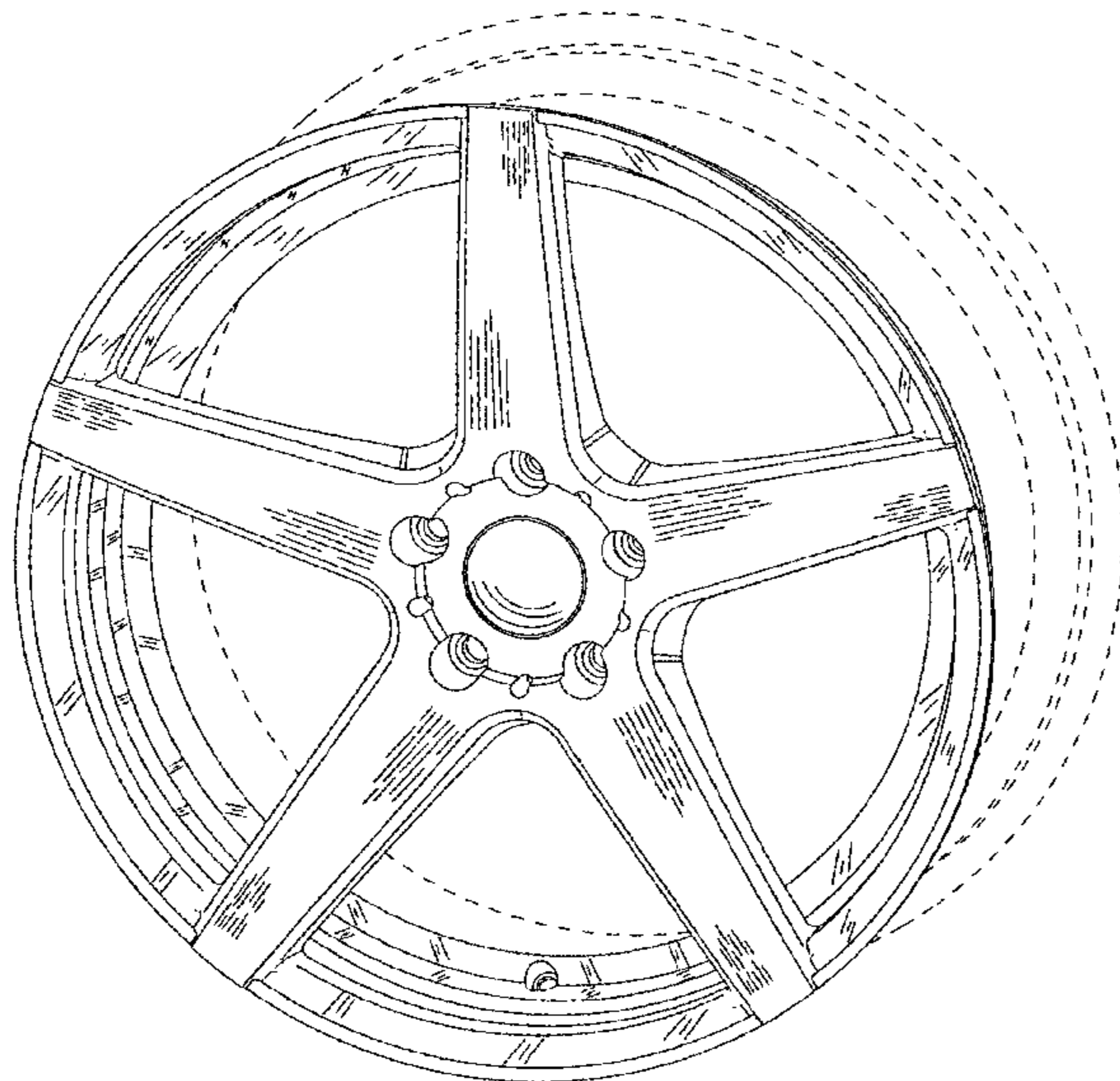
DESCRIPTION

FIG. 1 is a perspective view of an automotive wheel, showing my new design; and,

FIG. 2 is a front view thereof.

The broken line showing of the rear portion of the rim is included for the purpose of illustrating environment and forms no part of the claimed design.

1 Claim, 2 Drawing Sheets



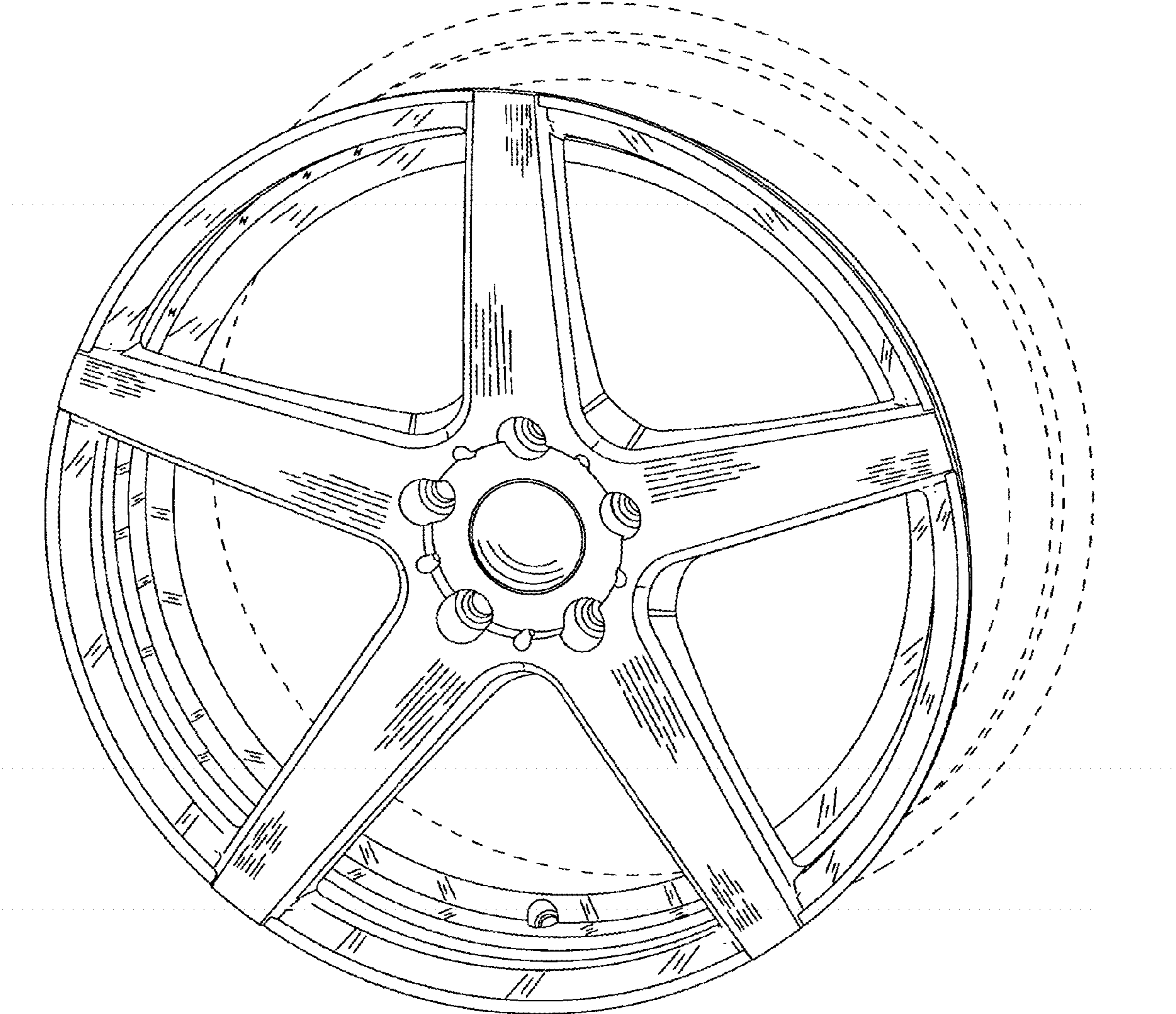


FIG. 1

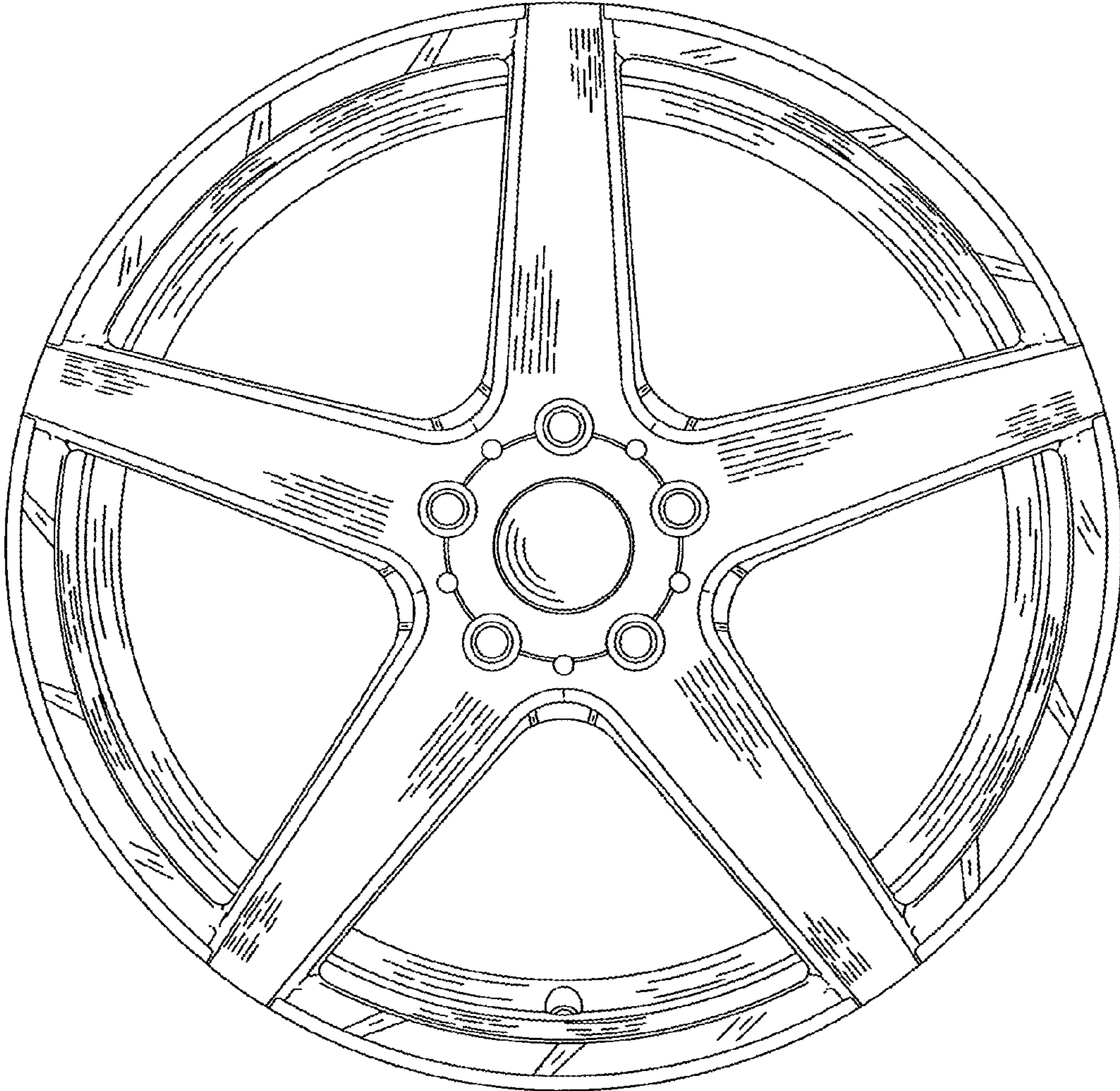


FIG. 2