



US00D753040S

(12) **United States Design Patent**  
**Lisanti et al.**

(10) **Patent No.:** **US D753,040 S**  
(45) **Date of Patent:** **\*\* Apr. 5, 2016**

(54) **BICYCLE HUB**

(71) Applicant: **Zehus S.r.l.**, Milan (IT)

(72) Inventors: **Paolo Lisanti**, Lallio (IT); **Giovanni Alli**, Legnano (IT); **Marcello Segato**, Milan (IT)

(73) Assignee: **Zehus S.r.l.**, Milan (IT)

(\*\*) Term: **14 Years**

(21) Appl. No.: **29/512,797**

(22) Filed: **Dec. 23, 2014**

(30) **Foreign Application Priority Data**

Jul. 29, 2014 (EM) ..... 002511089-0001

(51) **LOC (10) Cl.** ..... **12-16**

(52) **U.S. Cl.**  
USPC ..... **D12/207**

(58) **Field of Classification Search**  
USPC ..... D12/204-213; 280/250.1, 279; 301/59, 301/110.5, 108.5; 384/545  
CPC ..... B60B 7/00; B60B 7/02; B60B 7/04; B60B 7/01; B60B 7/06; B60B 3/02; B60B 3/04; B60B 3/06; B60B 3/10; B60B 1/00; B60B 1/08; B60B 1/10; B60B 1/12  
See application file for complete search history.

(56) **References Cited**

**U.S. PATENT DOCUMENTS**

D121,716 S *	7/1940	Herold	.....	D12/207
D340,888 S *	11/1993	Ringle	.....	D12/207
D350,922 S *	9/1994	Inatani	.....	D12/207
D365,310 S *	12/1995	Chen	.....	D12/207
D430,093 S *	8/2000	Muraoka	.....	D12/207
D440,533 S *	4/2001	Muraoka	.....	D12/207
D528,492 S *	9/2006	Wu	.....	D12/207

D539,718 S *	4/2007	Asano	.....	D12/207
D545,748 S *	7/2007	Okada	.....	D12/207
D579,844 S *	11/2008	Hed	.....	D12/207
D647,838 S *	11/2011	Lohr	.....	D12/207
D666,545 S *	9/2012	Kappius	.....	D12/207
D721,315 S *	1/2015	Delavy	.....	D12/207
2010/0212980 A1	8/2010	Wang		

**FOREIGN PATENT DOCUMENTS**

EP	2423094	A2	2/2012
FR	2264676	A1	10/1975
KR	101176476	B1	8/2012
WO	2010077300	A2	7/2010
WO	2012123801	A1	9/2012

(Continued)

**OTHER PUBLICATIONS**

Italian Search Report issued in corresponding Italian Patent Application No. ITMI20131366 mailed Mar. 28, 2014.

(Continued)

*Primary Examiner* — Stacia Cadmus

(74) *Attorney, Agent, or Firm* — Davis & Bujold PLLC; Michael J. Bujold

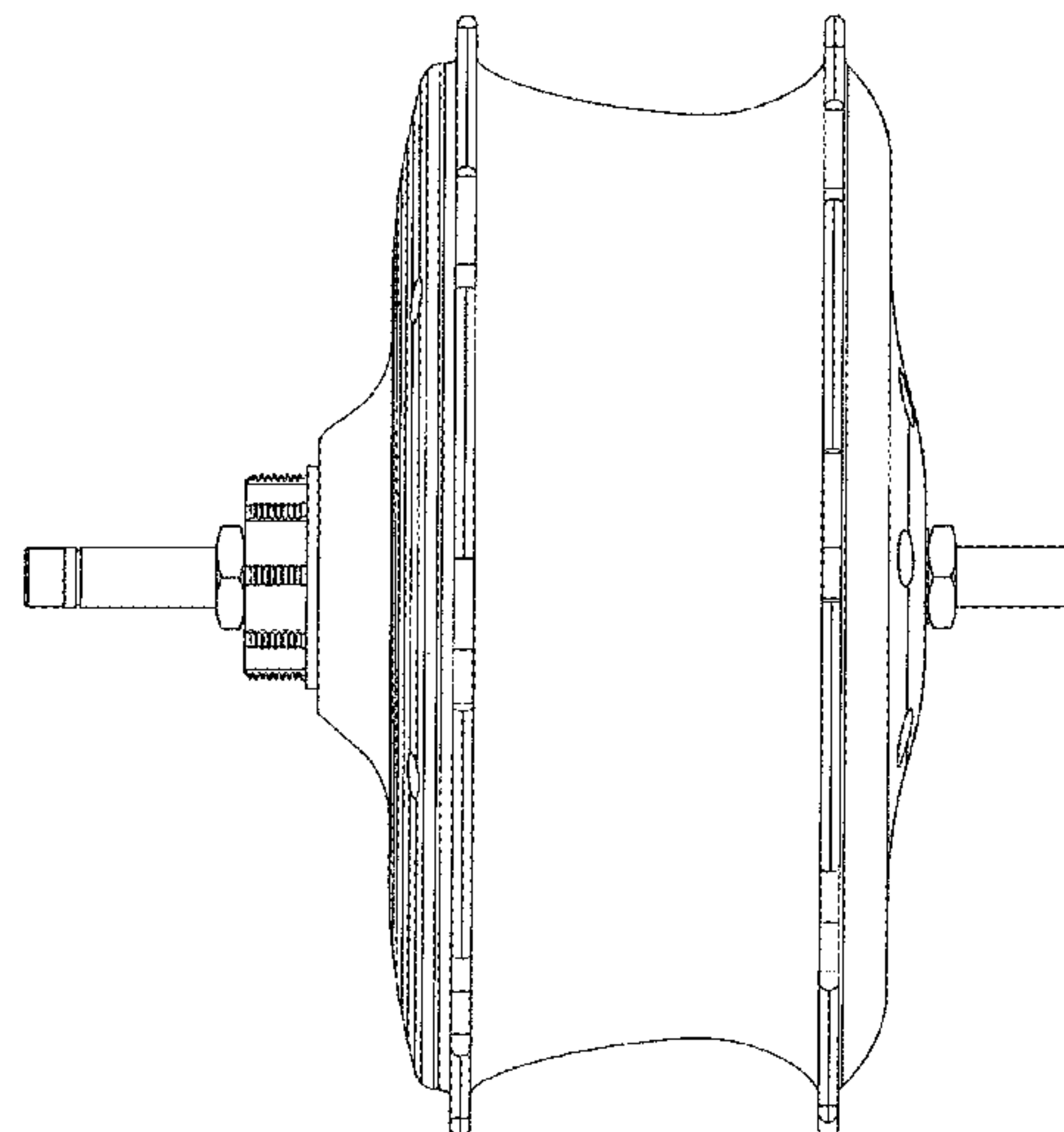
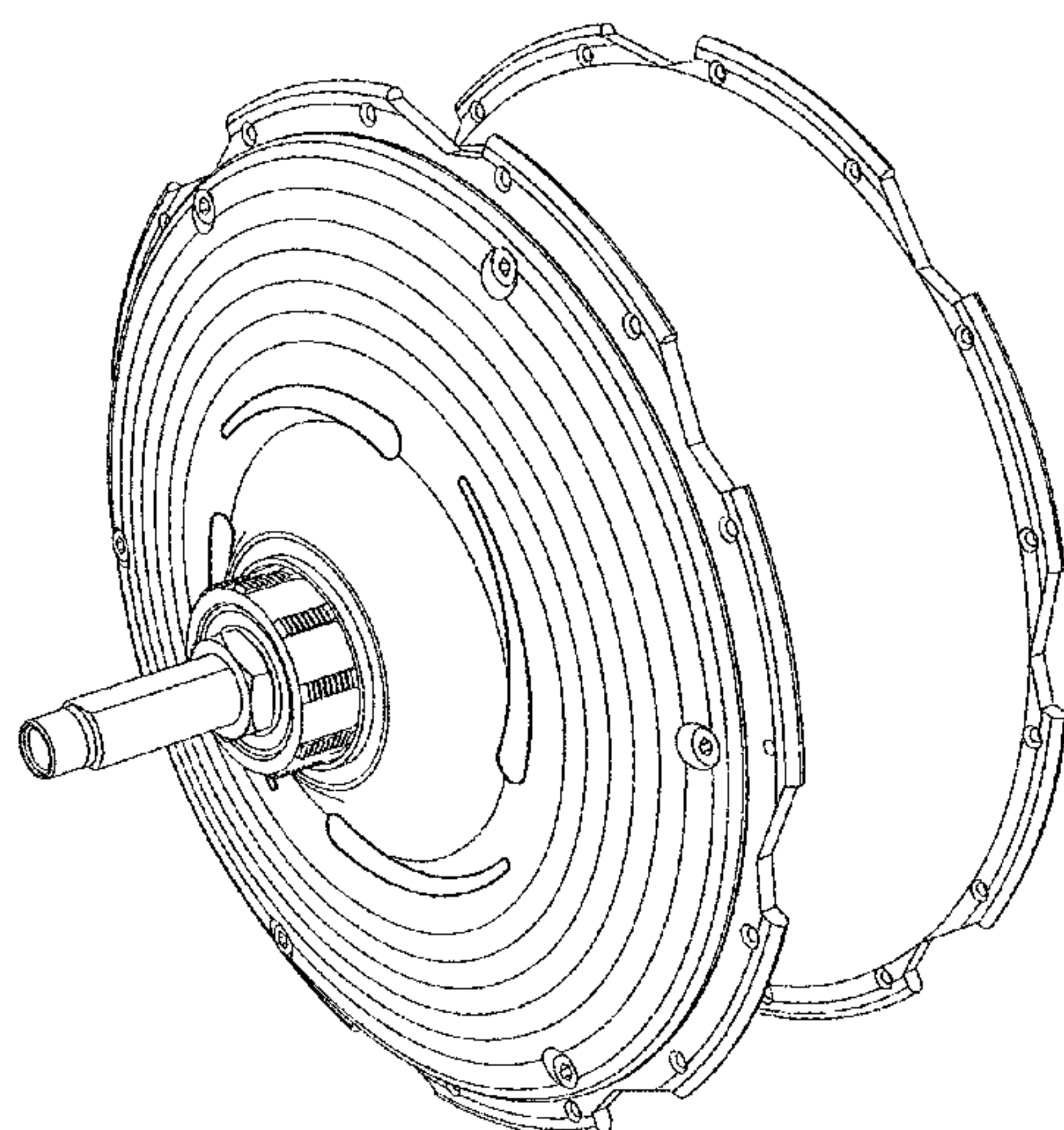
(57) **CLAIM**

The ornamental design for a bicycle hub, as shown and described.

**DESCRIPTION**

FIG. 1 is a perspective view of a bicycle hub, showing our new design from the front, top and right side; FIG. 2 is a perspective view thereof, from the rear, top and right side; FIG. 3 is a front elevational view thereof; FIG. 4 is a left side elevational view thereof; FIG. 5 is a top plan view thereof; and, FIG. 6 is a right side elevational view thereof.

**1 Claim, 6 Drawing Sheets**



(56)

**References Cited**

**OTHER PUBLICATIONS**

FOREIGN PATENT DOCUMENTS

WO 2012123802 A1 9/2012  
WO 2013097734 A1 7/2013

Italian Search Report issued in corresponding Italian Patent Application No. ITMI20131367 mailed Mar. 31, 2014.

\* cited by examiner

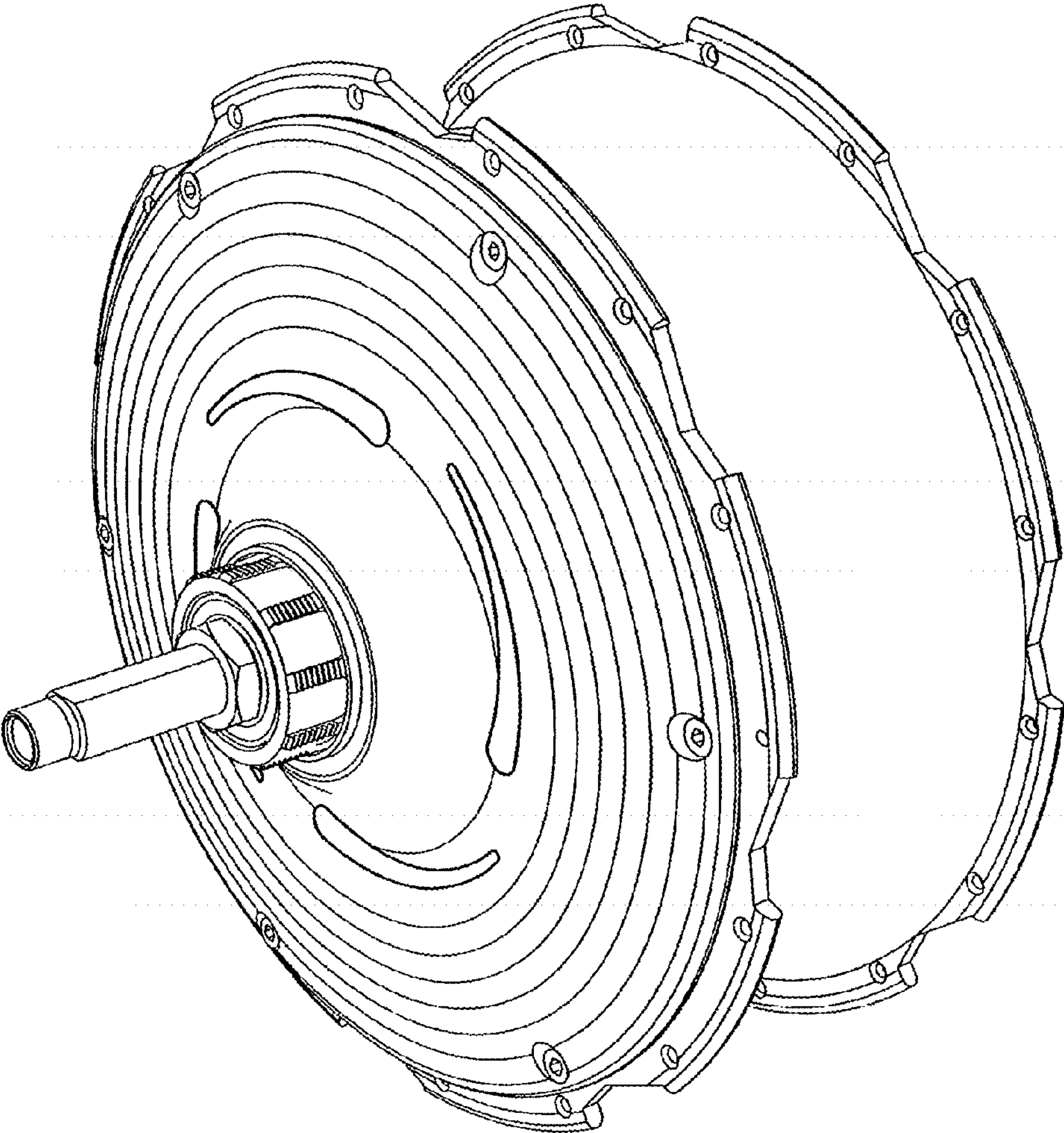


Fig. 1



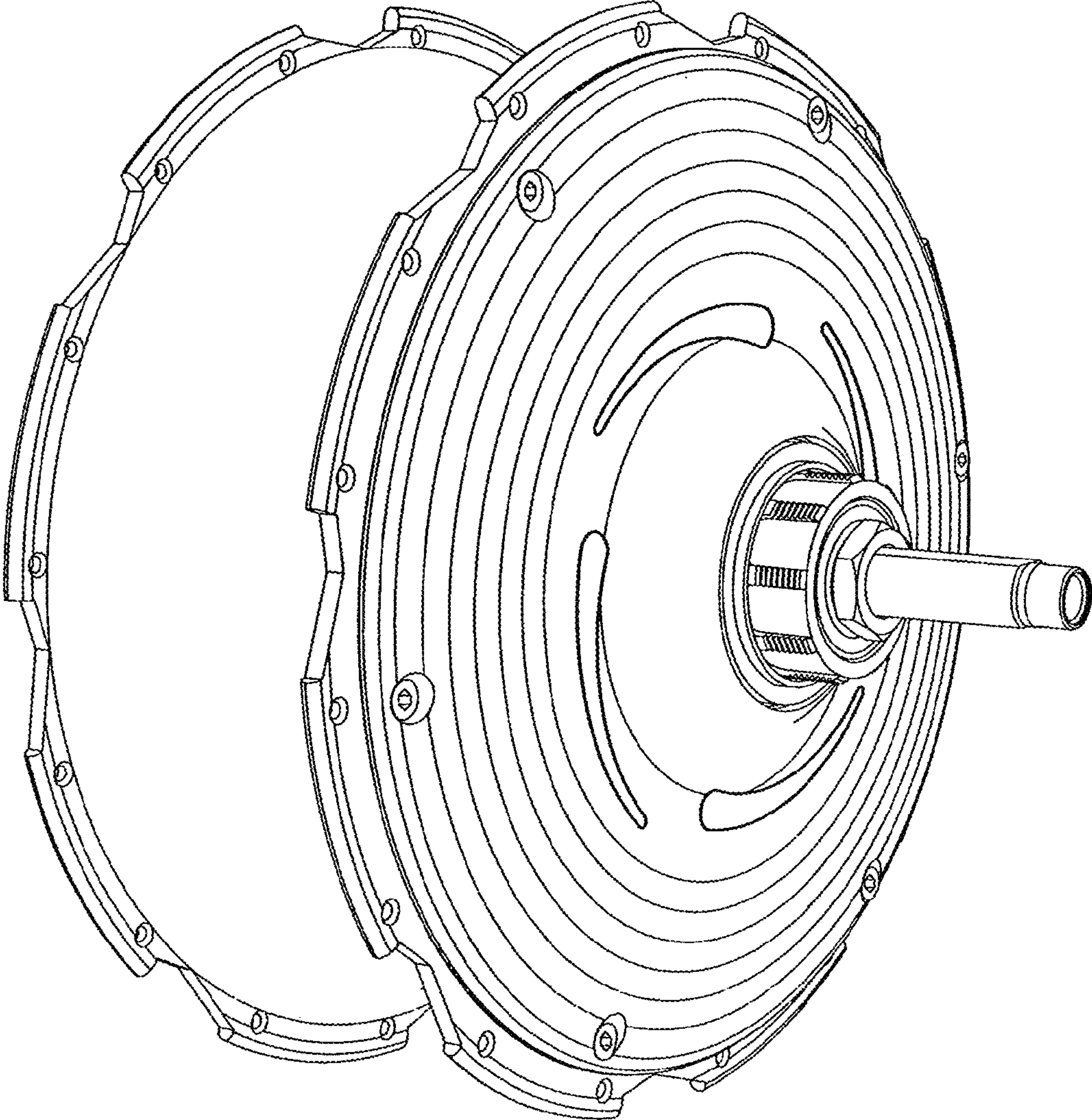


Fig. 2

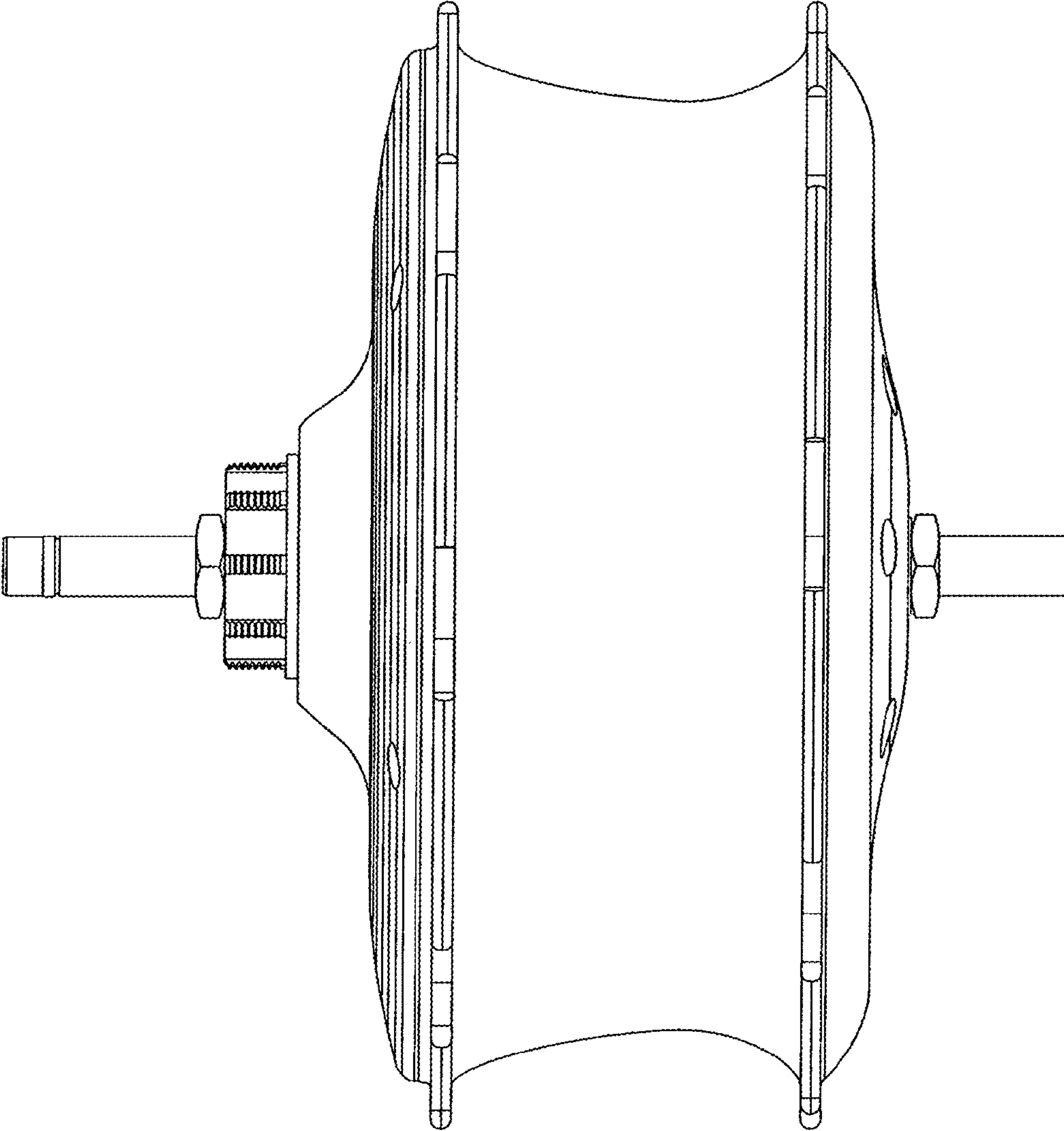


Fig. 3

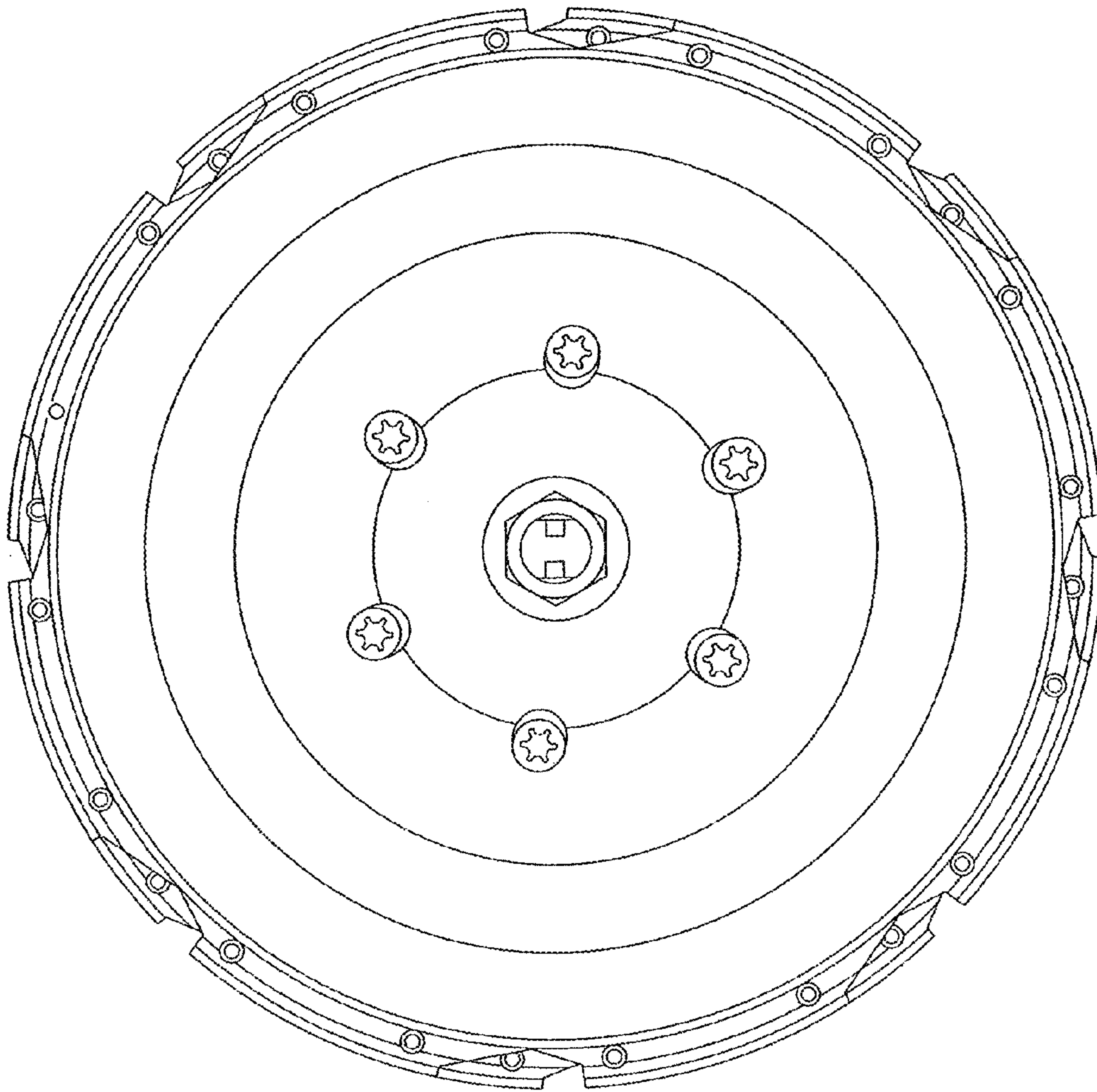


Fig. 4

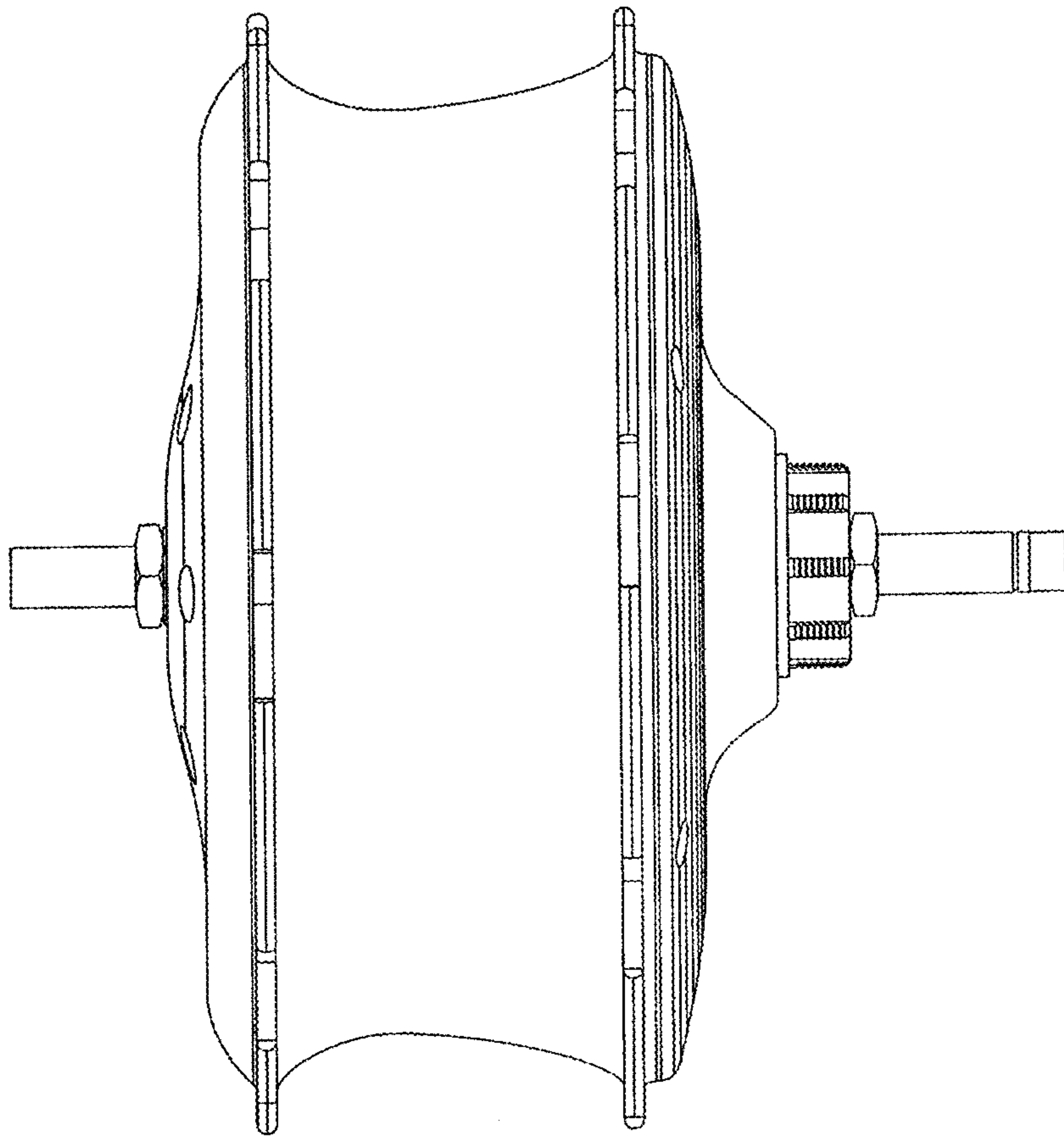


Fig. 5



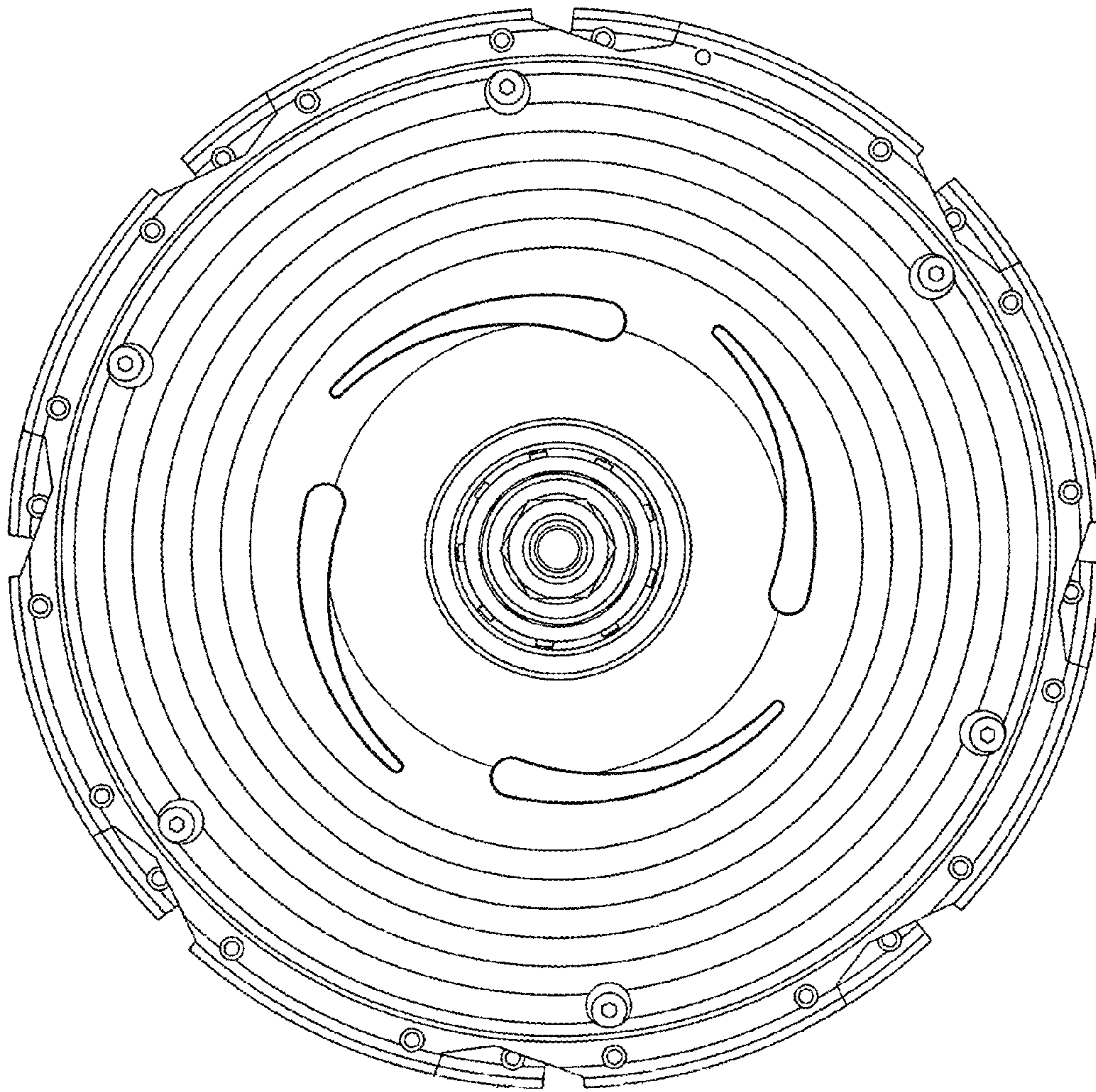


Fig. 6