



US00D753038S

(12) **United States Design Patent**
Doerr

(10) **Patent No.:** **US D753,038 S**
(45) **Date of Patent:** **** Apr. 5, 2016**

- (54) **LICENSE PLATE FRAME**
- (71) Applicant: **Christopher E. Doerr**, Athens, GA (US)
- (72) Inventor: **Christopher E. Doerr**, Athens, GA (US)
- (**) Term: **14 Years**
- (21) Appl. No.: **29/507,841**
- (22) Filed: **Oct. 31, 2014**

Related U.S. Application Data

- (63) Continuation-in-part of application No. 29/453,616, filed on May 1, 2013, now Pat. No. Des. 717,223.
- (51) **LOC (10) Cl.** **12-16**
- (52) **U.S. Cl.**
USPC **D12/193**
- (58) **Field of Classification Search**
USPC D12/193; D6/300, 301, 302, 310, 311, D6/312, 313, 314; D20/13
CPC B60R 13/10; B60R 13/105
See application file for complete search history.

References Cited

U.S. PATENT DOCUMENTS

- D163,320 S * 5/1951 Porrett 40/209
- D367,459 S * 2/1996 Spencer D12/193

- D408,341 S * 4/1999 Spencer D12/193
- D412,307 S * 7/1999 Hartmann D12/193
- D413,847 S * 9/1999 Hartmann D12/193
- D413,848 S * 9/1999 Doerr D12/193
- D460,394 S * 7/2002 Wang D12/193
- D488,753 S * 4/2004 Spencer D12/193
- D717,223 S * 11/2014 Doerr D12/193
- D739,800 S * 9/2015 Spencer D12/193

* cited by examiner

Primary Examiner — George D Kirschbaum

Assistant Examiner — Natasha Vujcic

(74) *Attorney, Agent, or Firm* — Rogers & Rodgers

(57) **CLAIM**

The ornamental design for a license plate frame, as shown and described.

DESCRIPTION

FIG. 1 is a perspective view of a license plate frame showing my new design;

FIG. 2 is a top plan view thereof;

FIG. 3 is a front elevational view thereof the rear being the same in appearance;

FIG. 4 is a left-side elevational view thereof, the right side being the same in appearance; and,

FIG. 5 is a bottom plan view thereof.

The broken lines in the drawings illustrate portions of the license plate frame which form no part of the claimed design.

1 Claim, 2 Drawing Sheets

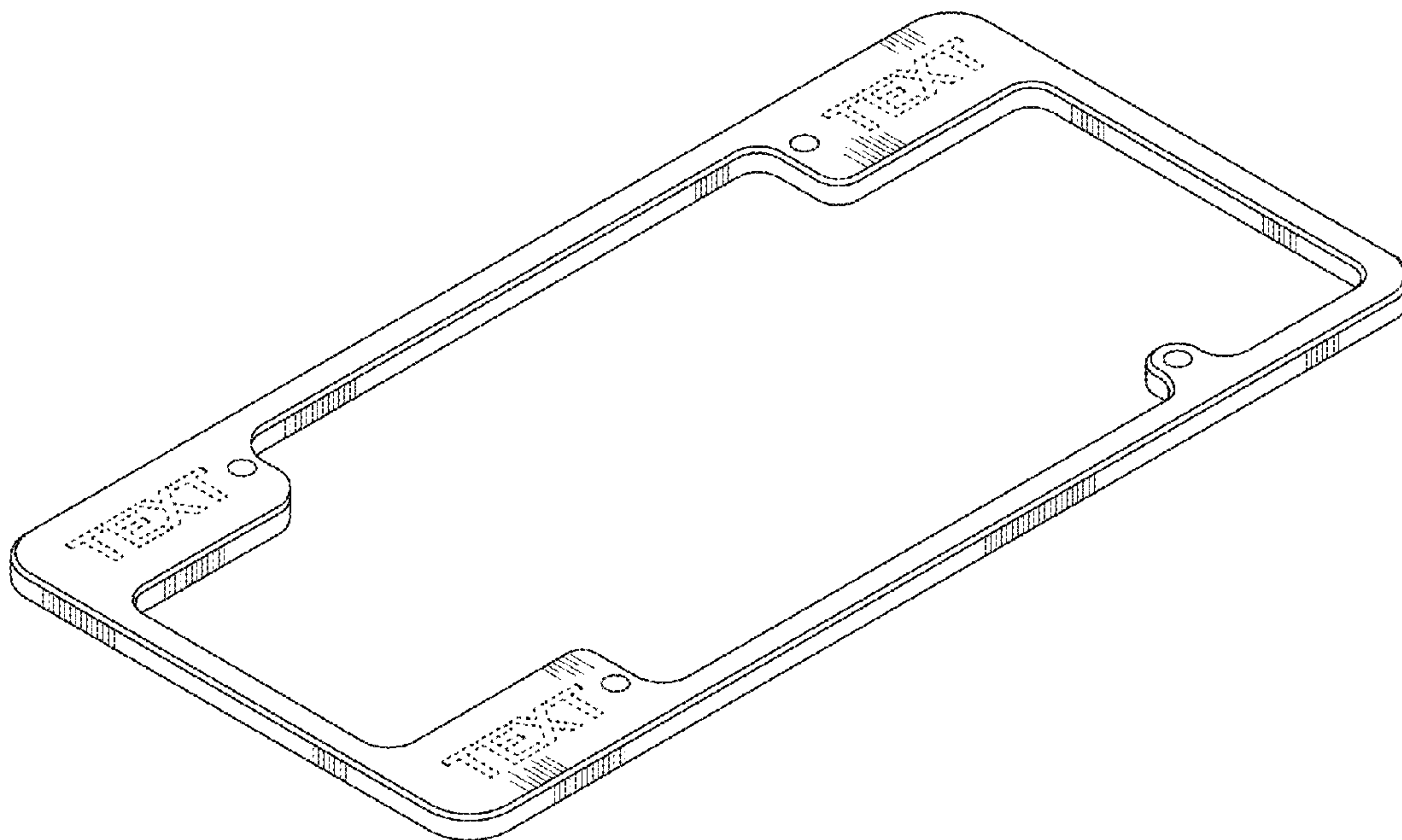


Fig 1

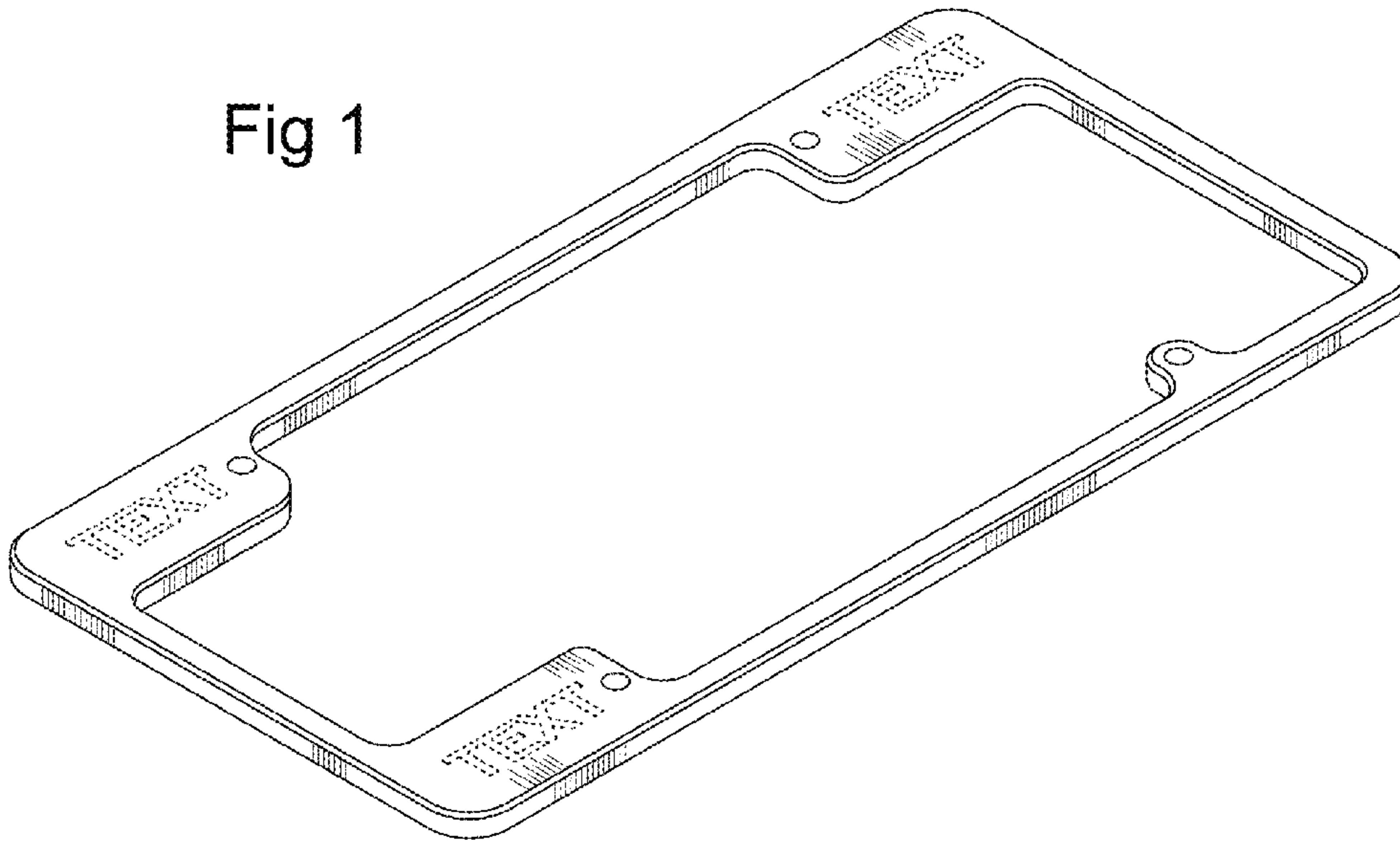


Fig 2

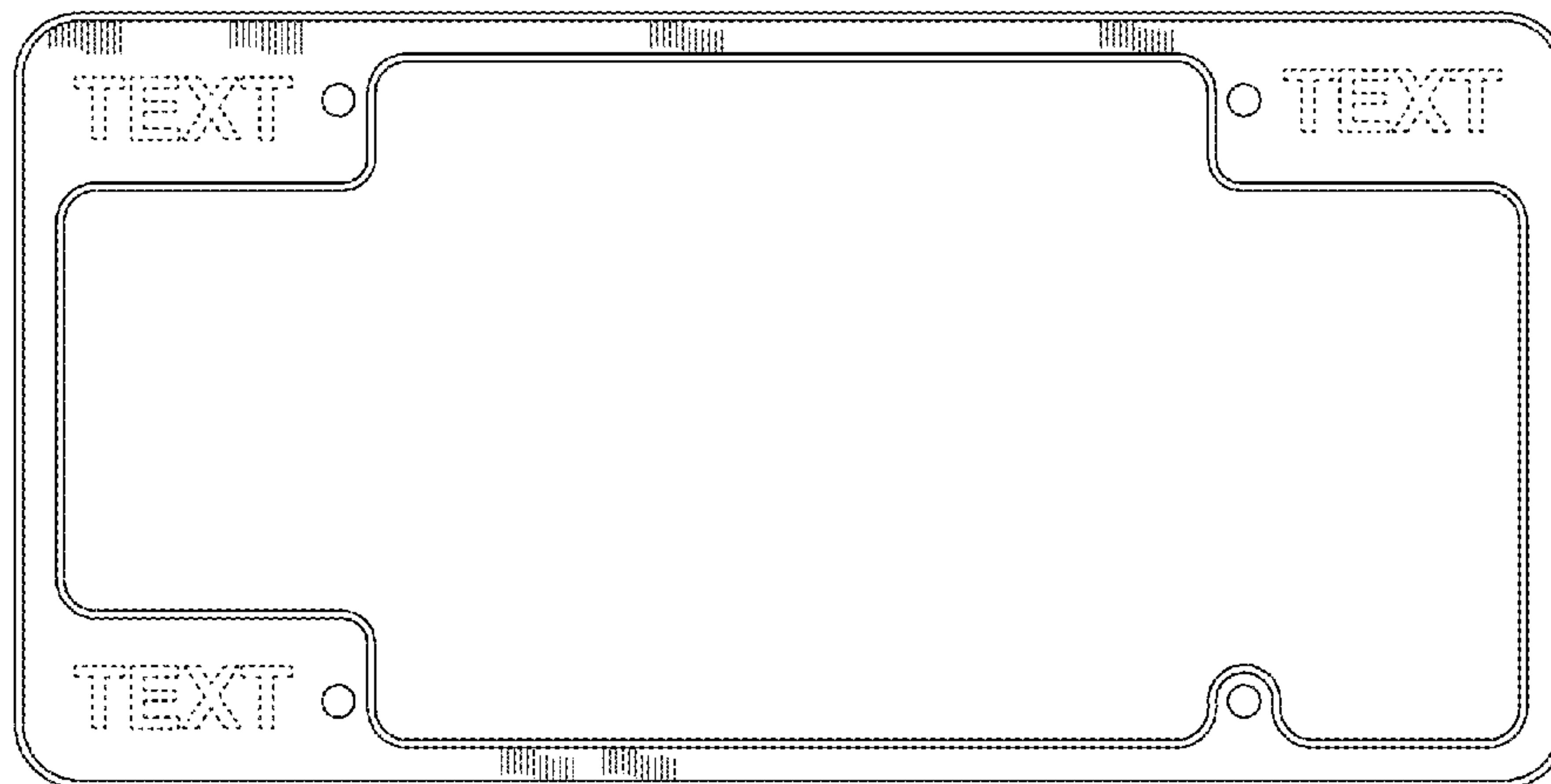


Fig 3

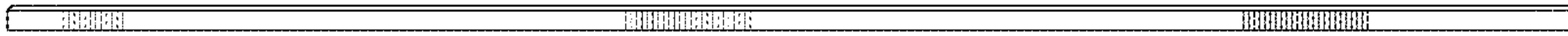


Fig 4

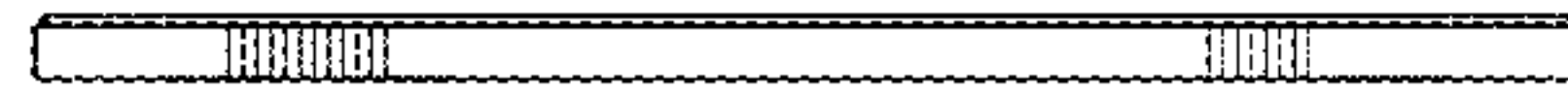


Fig 5

