

US00D753037S

(12) **United States Design Patent**  
**Pasfield**

(10) **Patent No.:** **US D753,037 S**

(45) **Date of Patent:** **\*\* Apr. 5, 2016**

(54) **BRAKE DRUM COVER**

(71) Applicant: **R.V. Electronics Pty Ltd**, Holden Hill (AU)

(72) Inventor: **Colin Pasfield**, Holden Hill (AU)

(73) Assignee: **R.V. Electronics Pty Ltd**, Holden Hill, South Australia (AU)

(\*\*) Term: **14 Years**

(21) Appl. No.: **29/510,907**

(22) Filed: **Dec. 4, 2014**

(30) **Foreign Application Priority Data**

Jul. 3, 2014 (AU) ..... 201413254

(51) **LOC (10) Cl.** ..... **12-16**

(52) **U.S. Cl.**  
USPC ..... **D12/180**

(58) **Field of Classification Search**  
USPC ..... D12/180; 188/412, 413, 415, 416;  
192/324, 328, 333  
CPC ..... F16D 65/12; F16D 65/123  
See application file for complete search history.

(56) **References Cited**

**U.S. PATENT DOCUMENTS**

D266,922 S \* 11/1982 Reynolds ..... D12/180  
6,053,990 A \* 4/2000 Persson ..... C22C 37/10  
148/321  
6,572,712 B2 \* 6/2003 Powell ..... C22C 33/08  
148/321  
D476,932 S \* 7/2003 Fishburn ..... D12/180

D565,487 S \* 4/2008 Zhang ..... D12/180  
D723,983 S \* 3/2015 Blanca ..... D12/180  
2007/0289826 A1 \* 12/2007 Suryatama ..... F16D 65/10  
188/218 R  
2011/0297495 A1 \* 12/2011 Hanna ..... F16D 65/10  
188/218 R  
2013/0153345 A1 \* 6/2013 Kuckert ..... F16D 65/12  
188/218 XL  
2014/0069752 A1 \* 3/2014 Fakhoury ..... F16D 65/827  
188/218 R  
2015/0083532 A1 \* 3/2015 Bordere ..... F16D 65/10  
188/218 R  
2015/0167765 A1 \* 6/2015 Plantan ..... F16D 65/22  
188/332

\* cited by examiner

*Primary Examiner* — Philip S Hyder

*Assistant Examiner* — Darlington Ly

(74) *Attorney, Agent, or Firm* — Sand & Sebolt

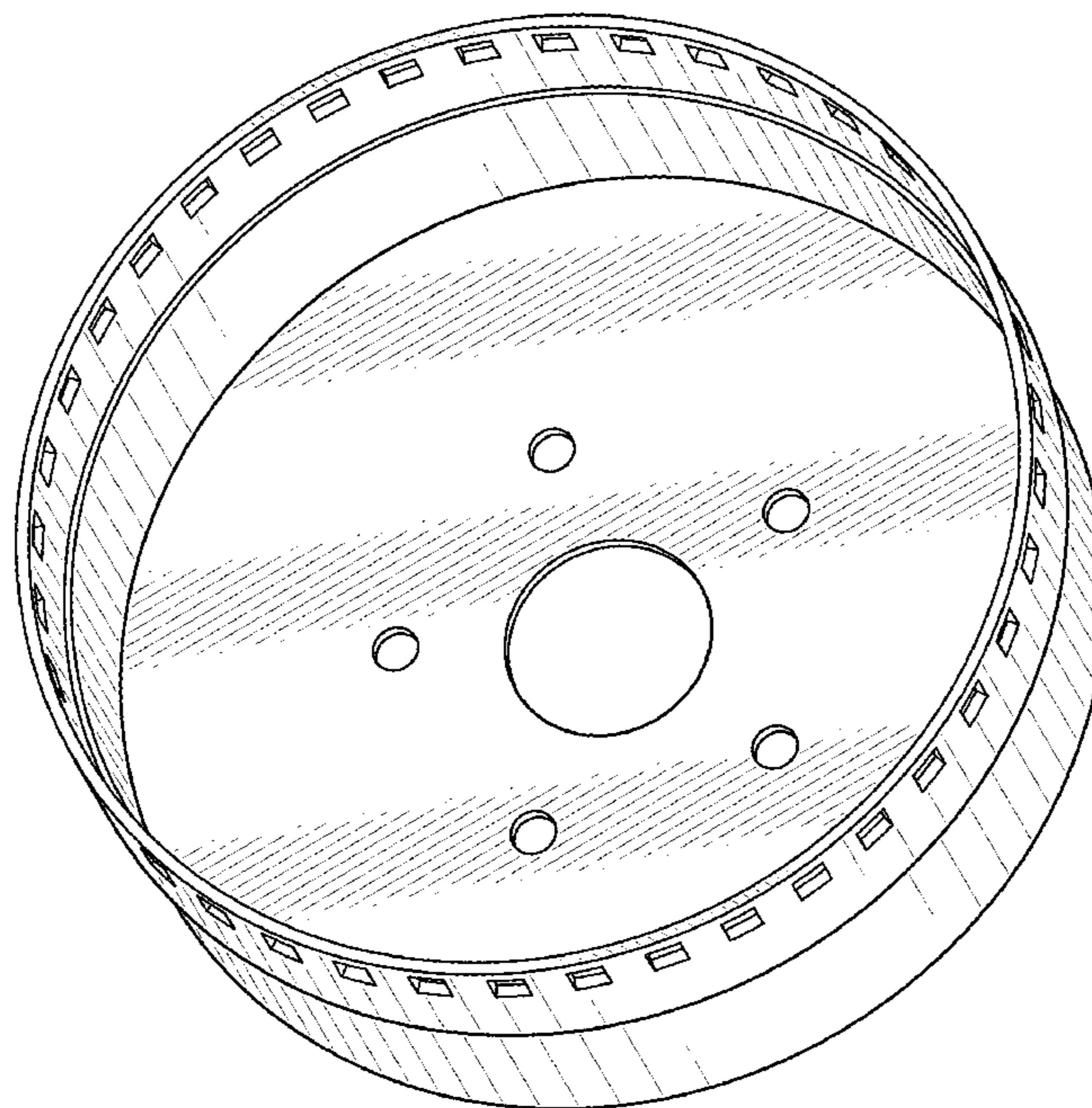
(57) **CLAIM**

The ornamental design for a brake drum cover, as shown and described.

**DESCRIPTION**

FIG. 1 is a top perspective view of a brake drum cover in accordance with my design;  
FIG. 2 is a bottom perspective view thereof;  
FIG. 3 is a top view thereof;  
FIG. 4 is a bottom view thereof;  
FIG. 5 is a front view thereof;  
FIG. 6 is a rear view thereof;  
FIG. 7 is a left side view thereof;  
FIG. 8 is a right side view thereof; and,  
FIG. 9 is a cross-sectional view taken along cut line 9-9 in FIG. 3.

**1 Claim, 7 Drawing Sheets**



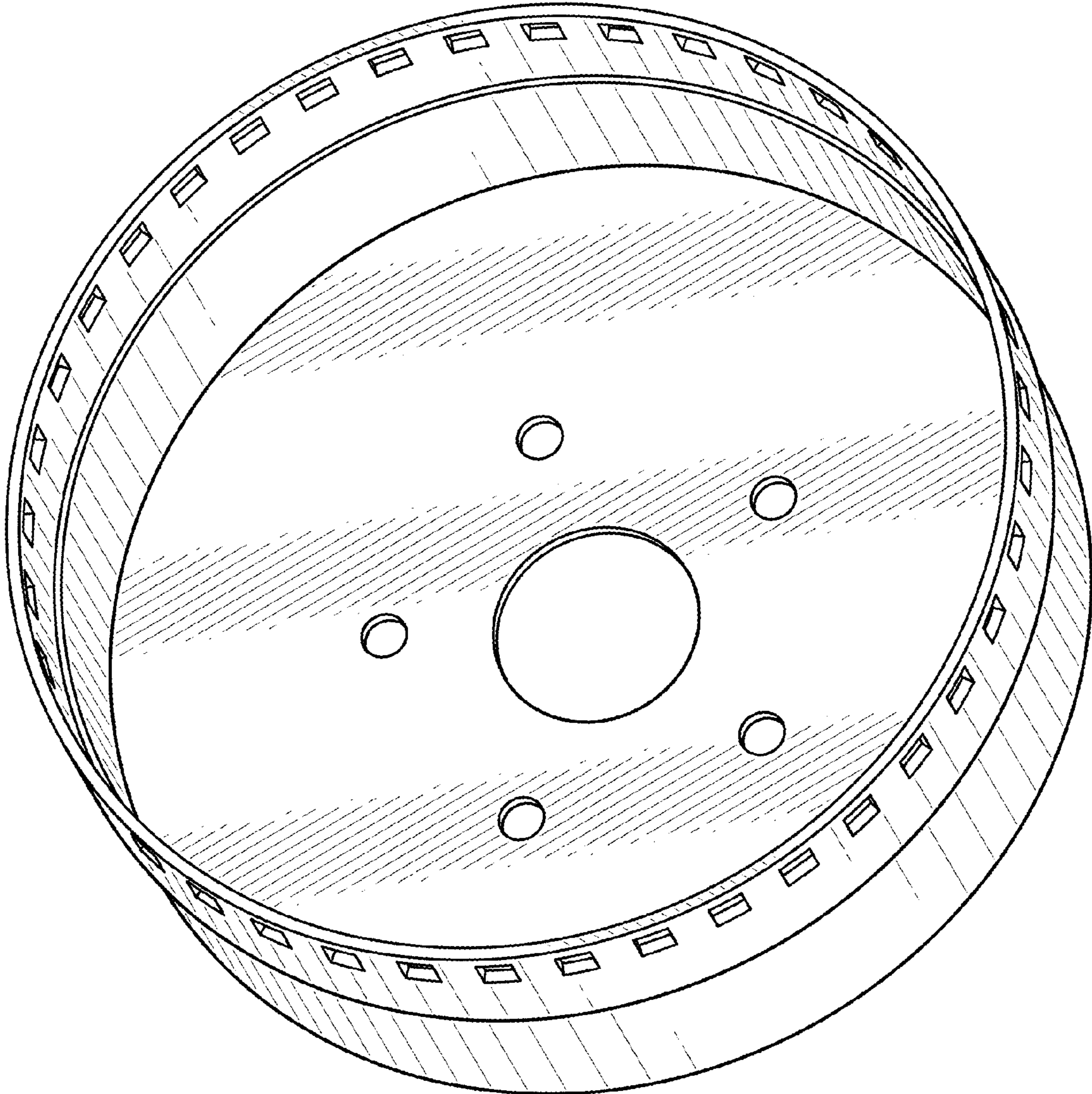


FIG-1

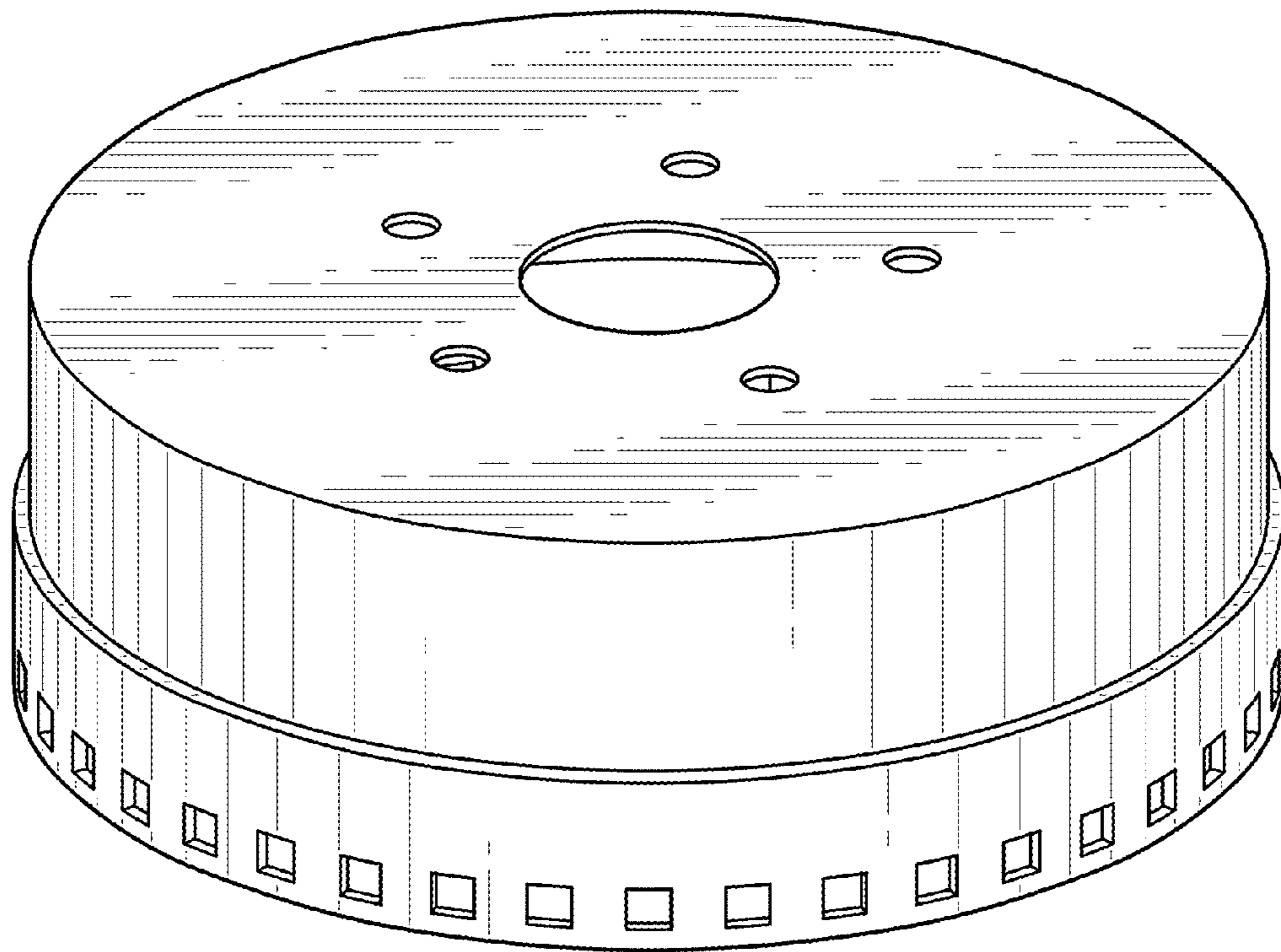


FIG-2

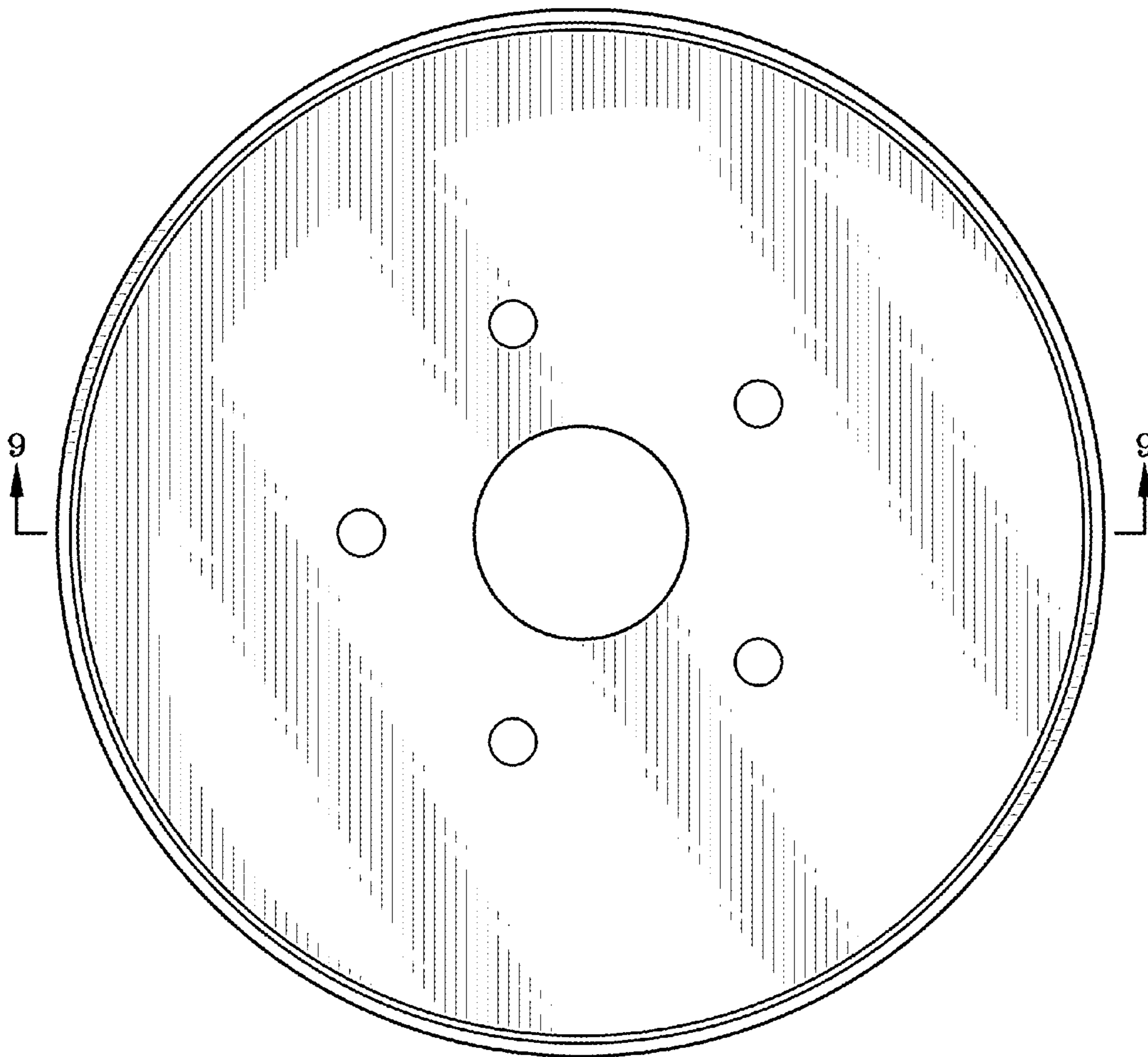


FIG-3

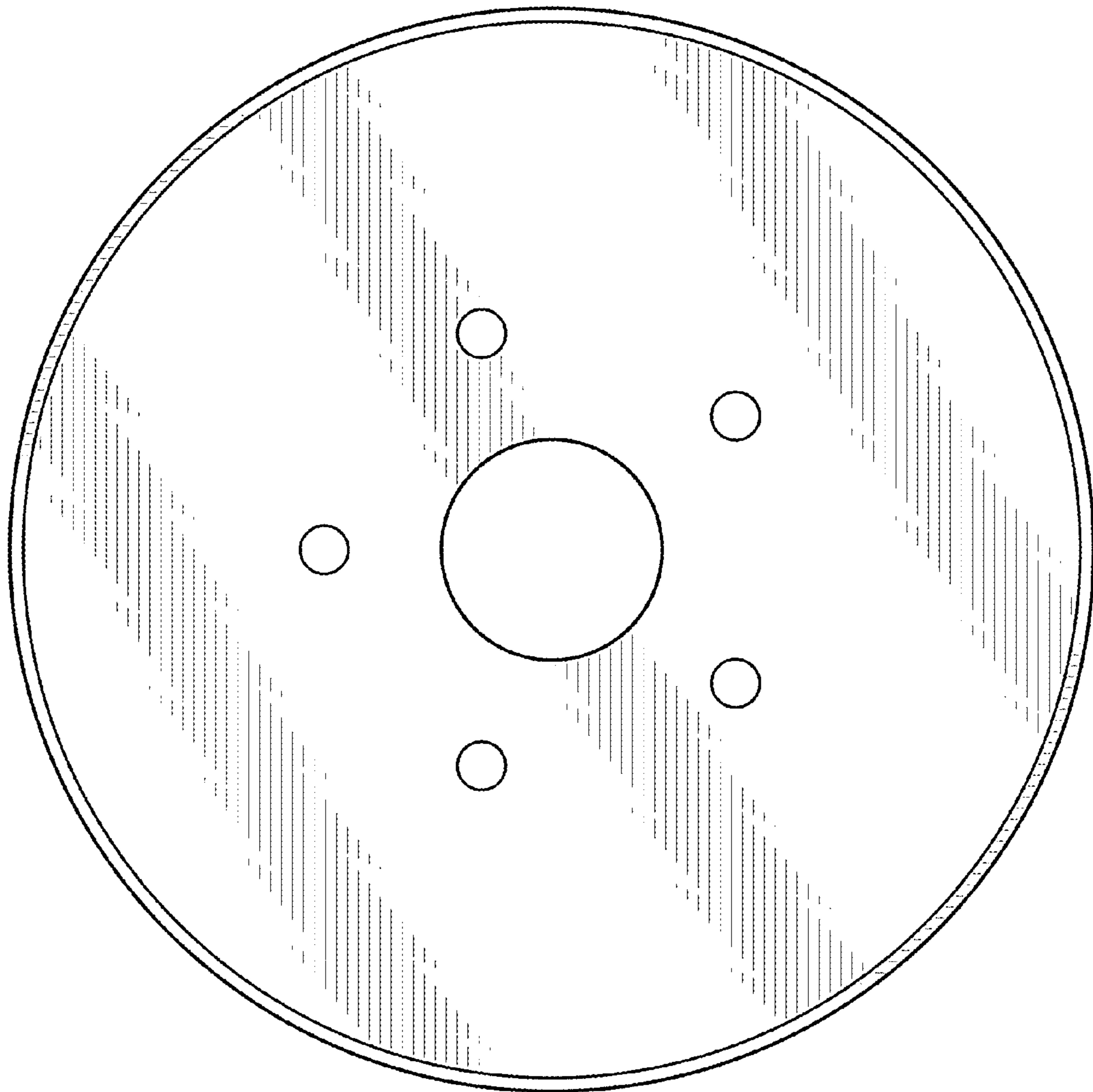


FIG-4

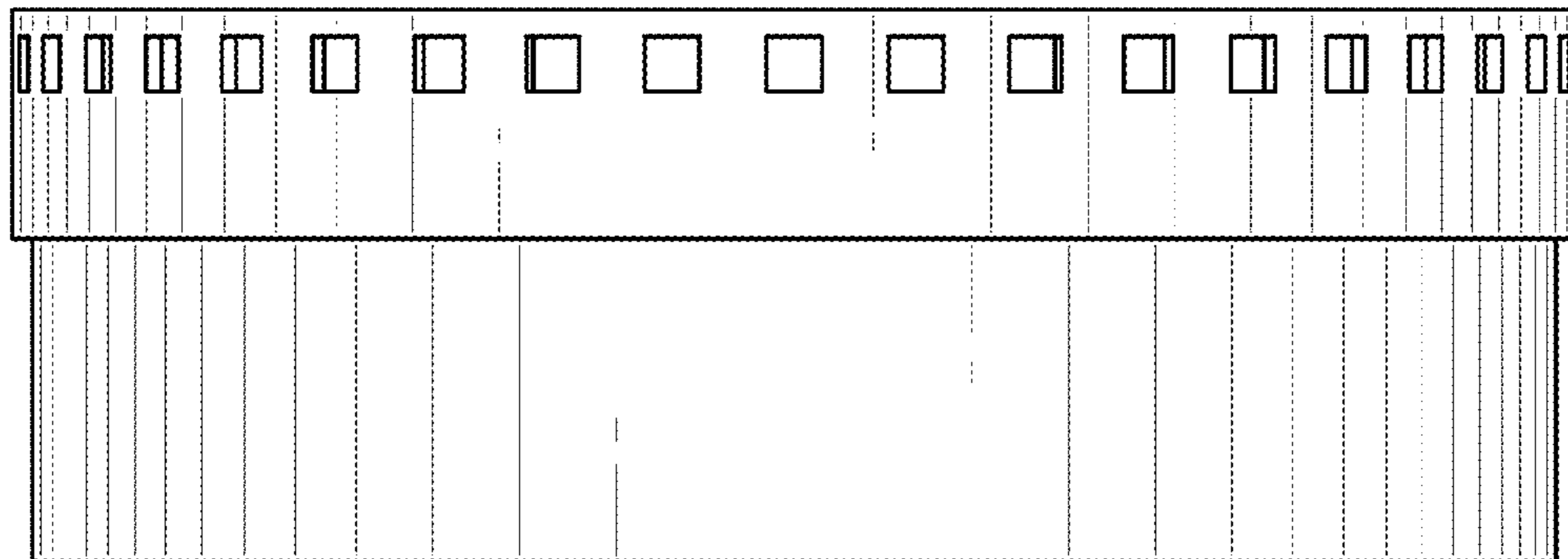


FIG-5

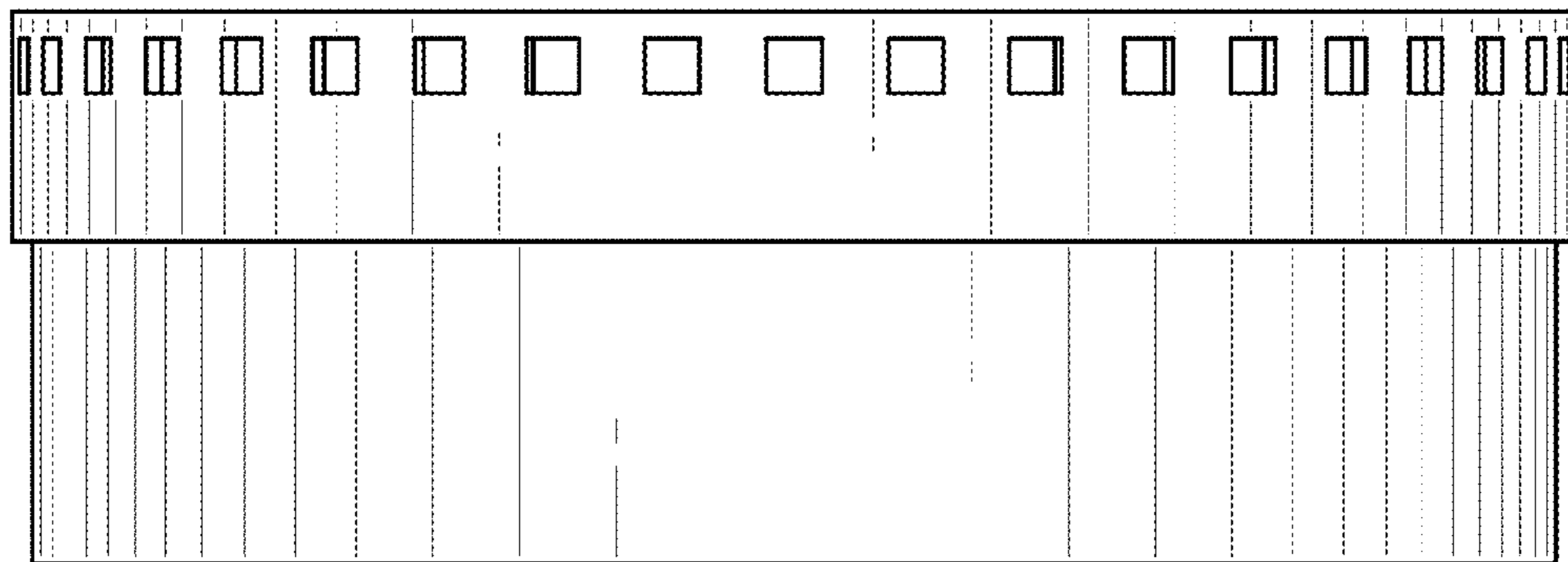


FIG-6

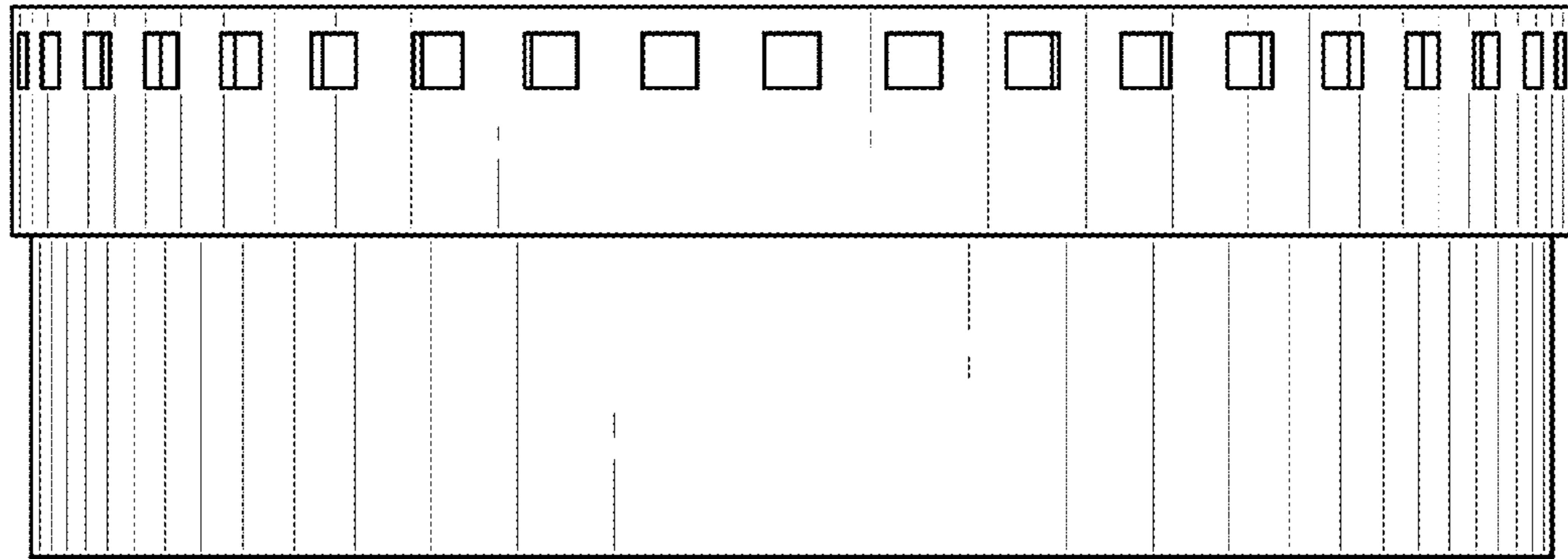


FIG-7

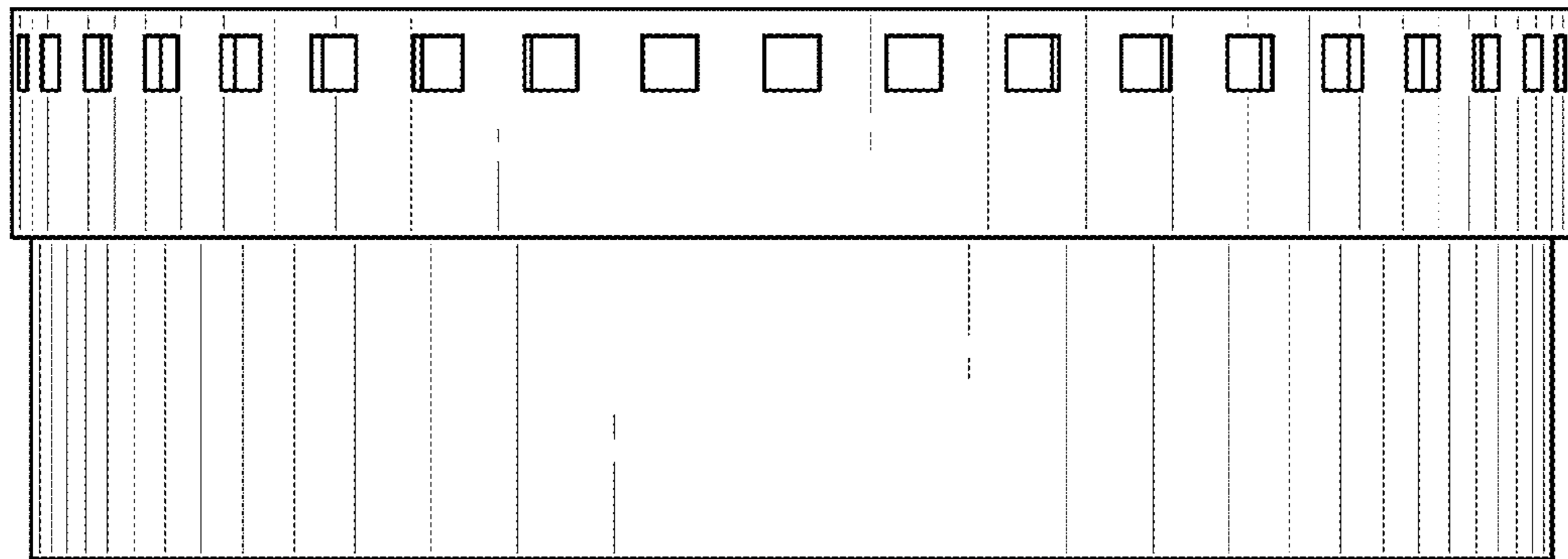


FIG-8

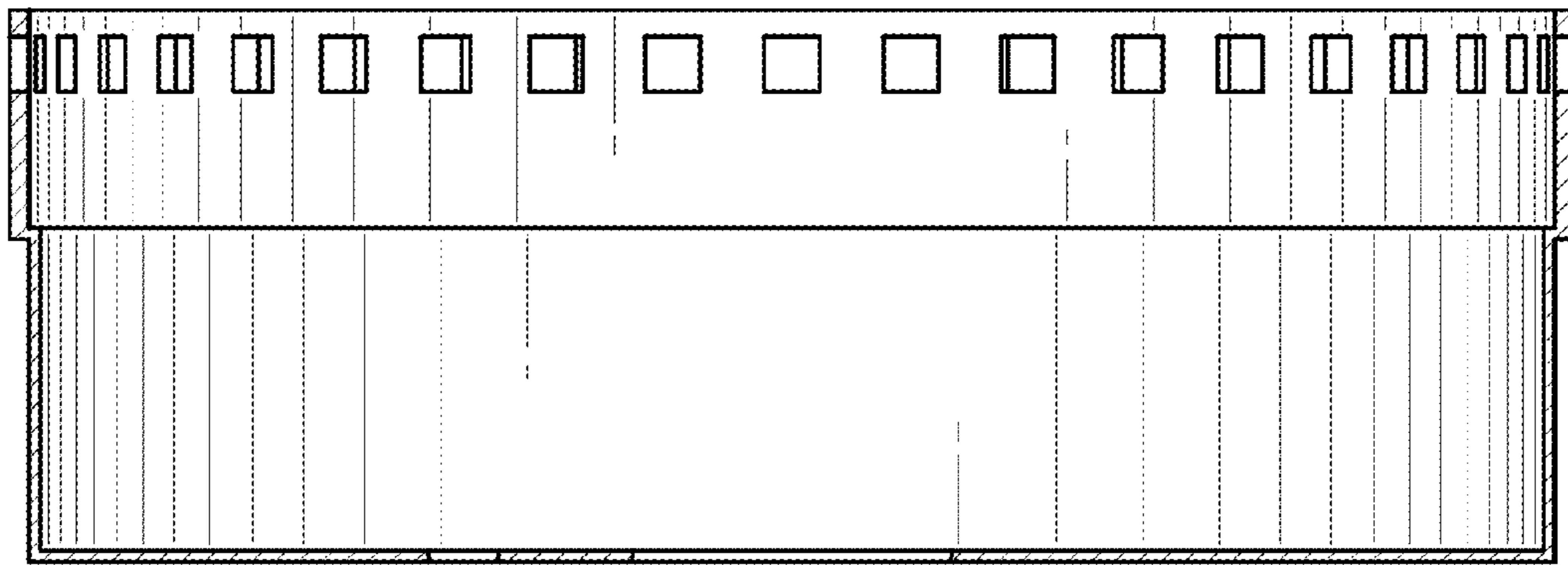


FIG-9