



US00D753034S

(12) **United States Design Patent**  
**Thole et al.**

(10) **Patent No.:** **US D753,034 S**  
(45) **Date of Patent:** **\*\* Apr. 5, 2016**

(54) **VEHICLE FRONT BUMPER**  
(71) Applicant: **GM GLOBAL TECHNOLOGY OPERATIONS LLC**, Detroit, MI (US)  
(72) Inventors: **Louis D. Thole**, Grosse Pointe Park, MI (US); **Marc A. Mainville**, Grosse Pointe Woods, MI (US)  
(73) Assignee: **GM Global Technology Operations LLC**, Detroit, MI (US)

(\*\*) Term: **14 Years**

(21) Appl. No.: **29/500,996**

(22) Filed: **Aug. 29, 2014**

(51) **LOC (10) Cl.** ..... **12-16**

(52) **U.S. Cl.**  
USPC ..... **D12/169**

(58) **Field of Classification Search**  
USPC ..... D12/169, 216, 90-92, 86, 171, 196, D12/163; 293/102, 113, 115, 117, 120; 296/180.1, 180.2  
CPC . B60R 19/52; B60R 2019/25; B62D 25/0845  
See application file for complete search history.

(56) **References Cited**

**U.S. PATENT DOCUMENTS**

7,434,872 B2 \* 10/2008 Steller ..... B60R 19/18 296/155  
D586,705 S \* 2/2009 Bauer ..... D12/169  
D598,338 S \* 8/2009 Mattin ..... D12/169  
D605,096 S \* 12/2009 Mueller ..... D12/169  
D636,303 S \* 4/2011 Frei ..... D12/169

D637,534 S \* 5/2011 Miyazawa ..... D12/169  
D637,945 S \* 5/2011 Nakagawa ..... D12/169  
7,988,225 B2 \* 8/2011 Goldsberry ..... B60R 19/18 293/133  
D656,871 S \* 4/2012 Fetherston ..... D12/169  
D686,118 S \* 7/2013 Thurber ..... D12/169  
D705,707 S \* 5/2014 Kavaja ..... D12/169  
D717,703 S \* 11/2014 Munson ..... D12/169  
D718,679 S \* 12/2014 Thole ..... D12/169

**OTHER PUBLICATIONS**

Design U.S. Appl. No. 29/466,631, filed Sep. 10, 2013; First Named Inventor: Louis D. Thole; Title: Vehicle Front Fascia.  
Design U.S. Appl. No. 29/477,931, filed Dec. 30, 2013; First Named Inventor: Louis D. Thole; Title: Vehicle Body Exterior.

\* cited by examiner

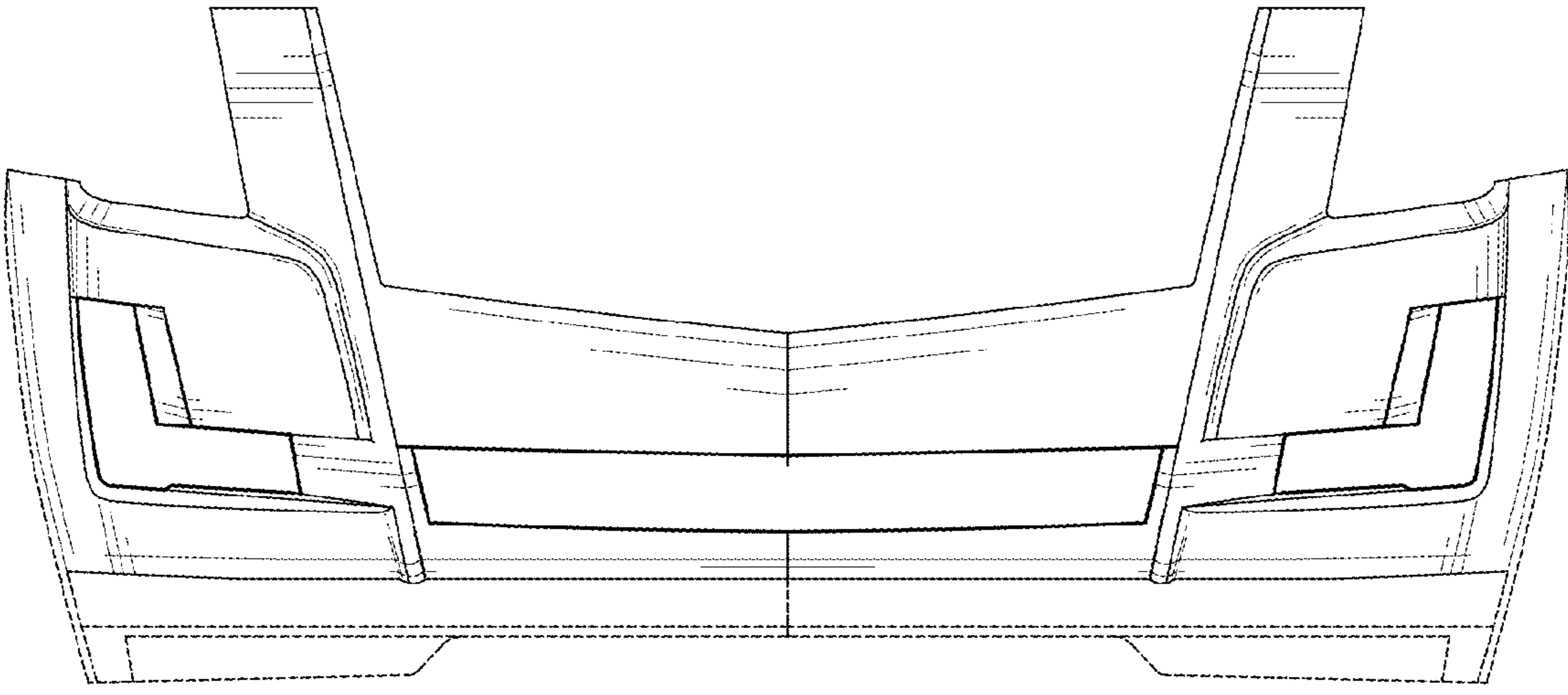
*Primary Examiner* — Melody Brown  
(74) *Attorney, Agent, or Firm* — Reising Ethington P.C.

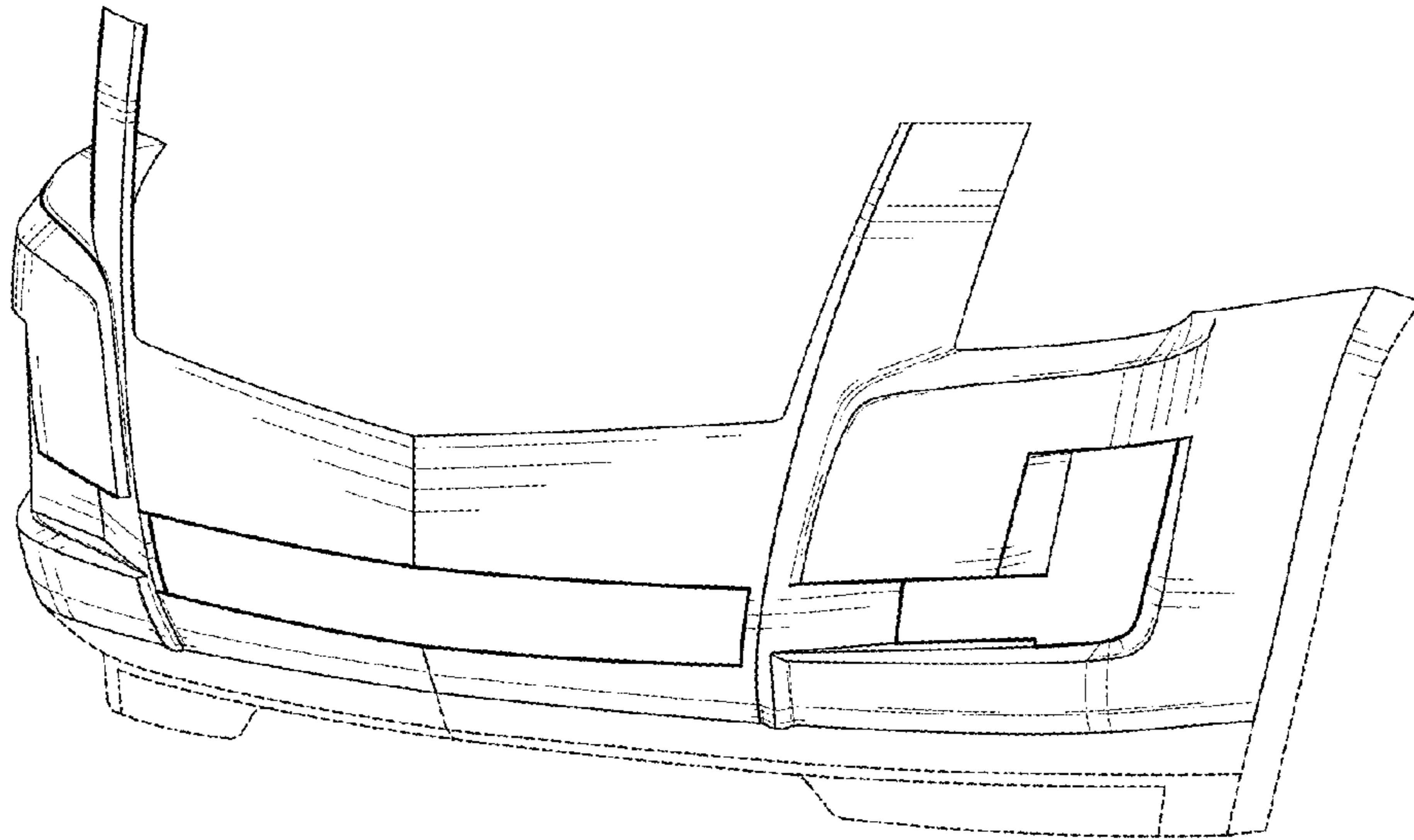
(57) **CLAIM**  
The ornamental design for a vehicle front bumper, as shown and described.

**DESCRIPTION**

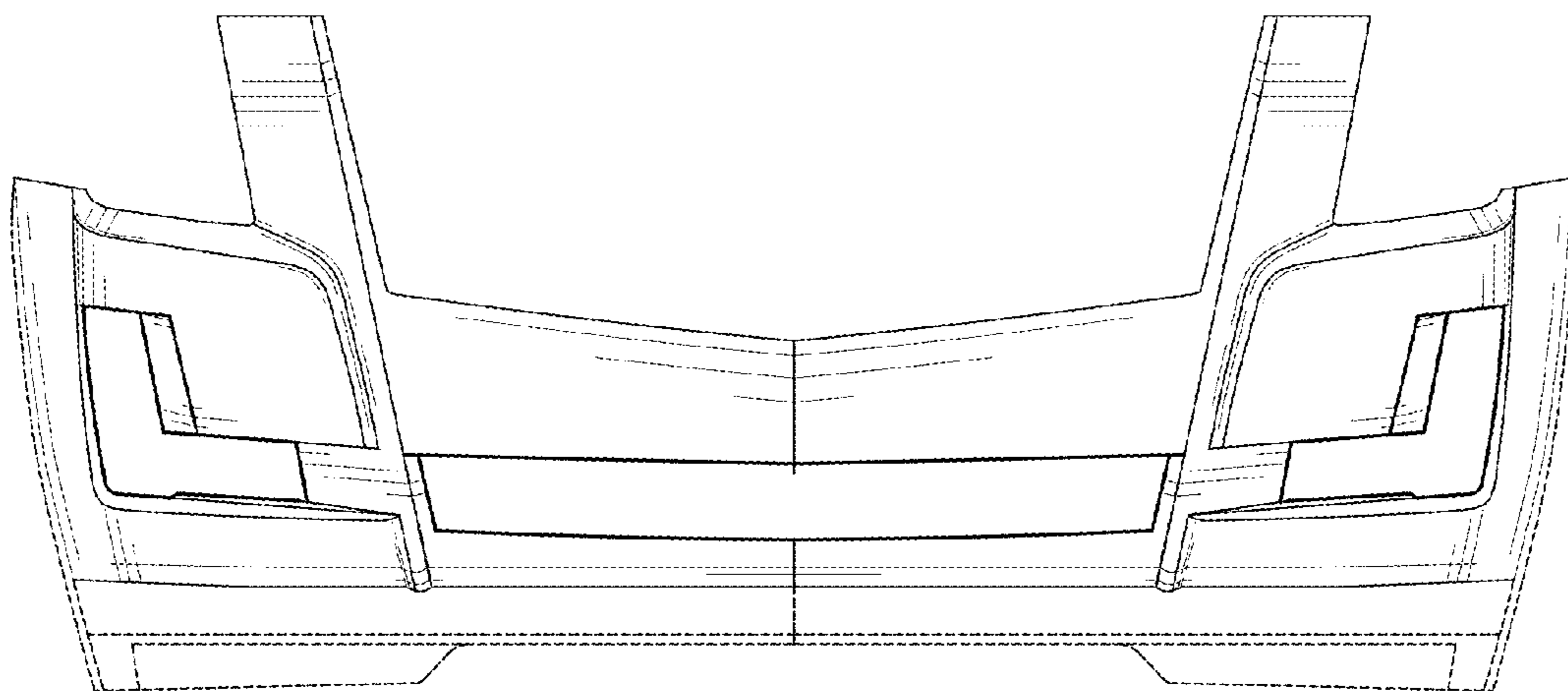
FIG. 1 is a front perspective view of a vehicle front bumper showing our new design;  
FIG. 2 is a front view thereof;  
FIG. 3 is a left side elevation view thereof the right side being a mirror image of that side shown; and,  
FIG. 4 is a top plan view thereof.  
The portions of the vehicle shown in broken lines are for illustrative purposes only and form no part of the claimed design.

**1 Claim, 2 Drawing Sheets**

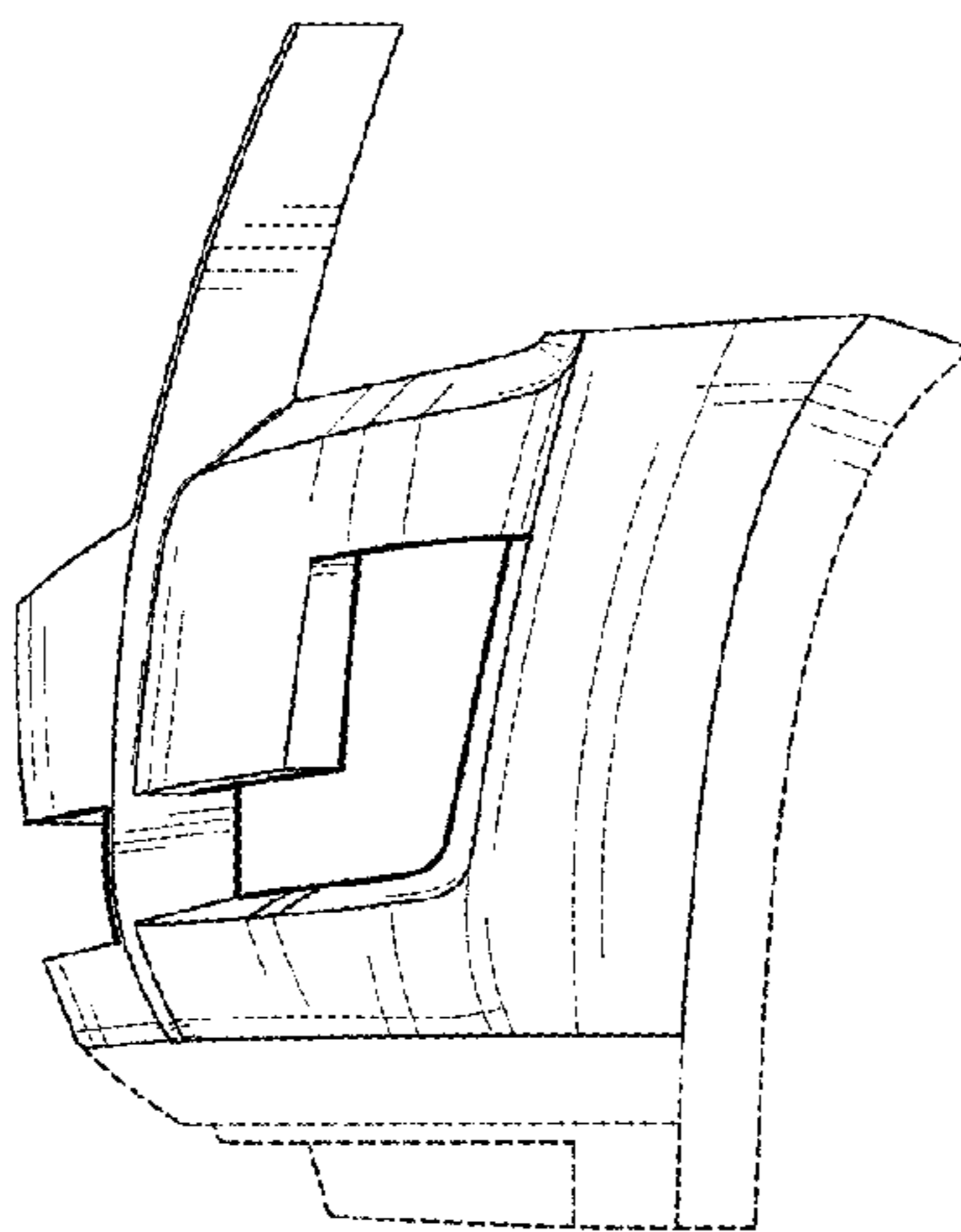




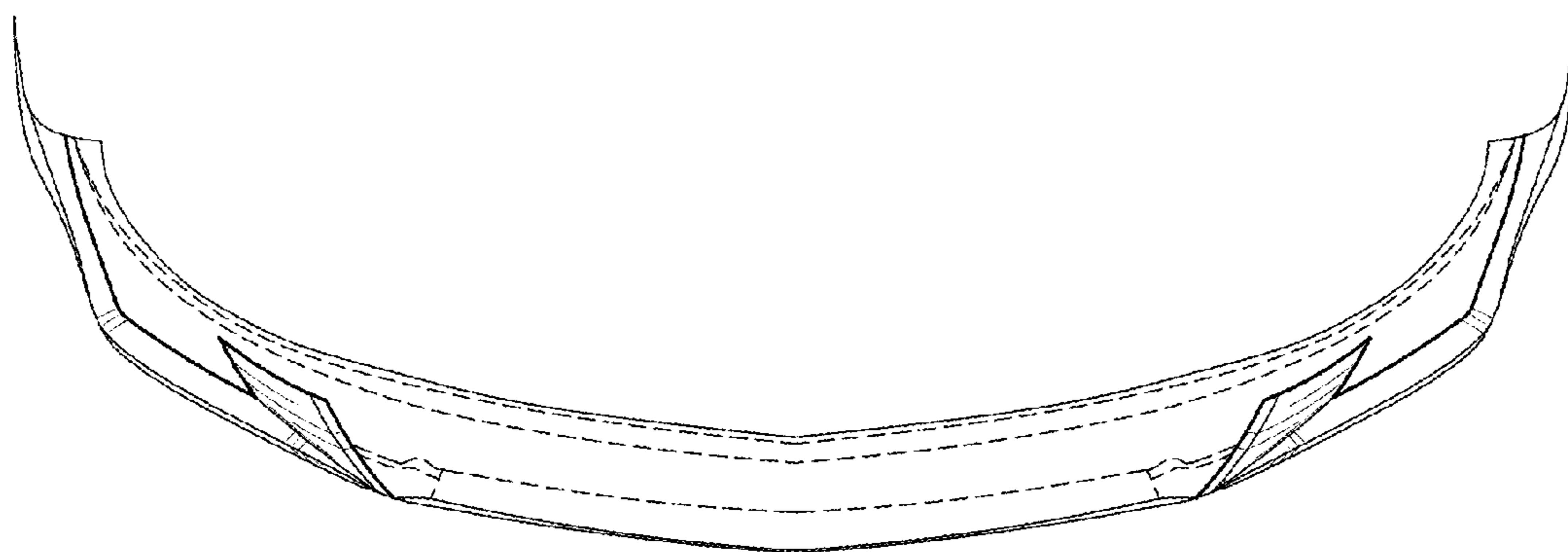
*Fig-1*



*Fig-2*



*Fig-3*



*Fig-4*