



US00D753033S

(12) **United States Design Patent**
Thole et al.

(10) **Patent No.:** **US D753,033 S**
(45) **Date of Patent:** **** Apr. 5, 2016**

(54) **VEHICLE REAR BUMPER**

(71) Applicant: **GM GLOBAL TECHNOLOGY OPERATIONS LLC**, Detroit, MI (US)

(72) Inventors: **Louis D. Thole**, Grosse Pointe Park, MI (US); **Marc A. Mainville**, Grosse Pointe Woods, MI (US)

(73) Assignee: **GM Global Technology Operations LLC**, Detroit, MI (US)

(**) Term: **14 Years**

(21) Appl. No.: **29/500,880**

(22) Filed: **Aug. 29, 2014**

(51) **LOC (10) Cl.** **12-16**

(52) **U.S. Cl.**
USPC **D12/169**

(58) **Field of Classification Search**
USPC D12/169, 216, 90-92, 86, 171, 196,
D12/163; 293/102, 113, 115, 117, 120;
296/180.1, 180.2
CPC . B60R 19/52; B60R 2019/25; B62D 25/0845
See application file for complete search history.

(56) **References Cited**

U.S. PATENT DOCUMENTS

D501,809 S * 2/2005 Metros D12/169
D512,351 S * 12/2005 Hattori D12/169

D531,556 S * 11/2006 Metros D12/169
D570,249 S * 6/2008 O'Donnell D12/91
D589,407 S * 3/2009 Krugger D12/98
D601,925 S * 10/2009 O'Donnell D12/98
D604,203 S * 11/2009 O'Donnell D12/98
D623,569 S * 9/2010 Cogswell D12/169
D657,718 S * 4/2012 Zipfel D12/98
D700,871 S * 3/2014 O'Donnell D12/98
D723,435 S * 3/2015 Thole D12/169
D729,707 S * 5/2015 Thole D12/169

OTHER PUBLICATIONS

U.S. Appl. No. 29/477,931, filed Dec. 30, 2013; First Named Inventor: Louis D. Thole; Title: Vehicle Body Exterior.

* cited by examiner

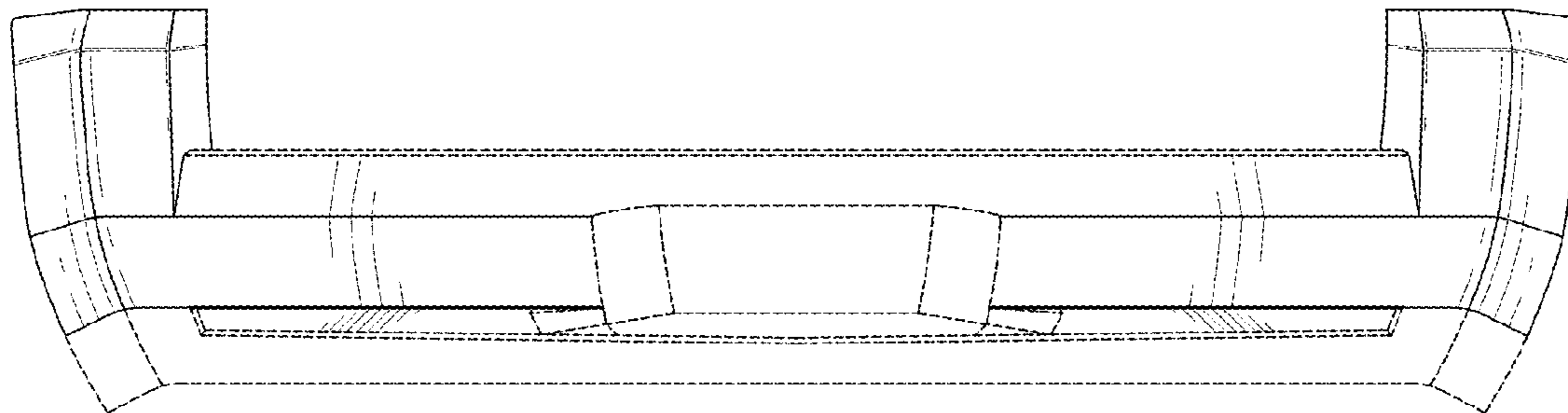
Primary Examiner — Melody Brown
(74) *Attorney, Agent, or Firm* — Reising Ethington P.C.

(57) **CLAIM**
The ornamental design for a vehicle rear bumper, as shown and described.

DESCRIPTION

FIG. 1 is a front perspective view of a vehicle rear bumper showing our new design;
FIG. 2 is a front view thereof;
FIG. 3 is a left side elevation view thereof; and,
FIG. 4 is a top plan view thereof the right side being a mirror image of that side shown.
The portions of the vehicle shown in broken lines are for illustrative purposes only and form no part of the claimed design.

1 Claim, 2 Drawing Sheets



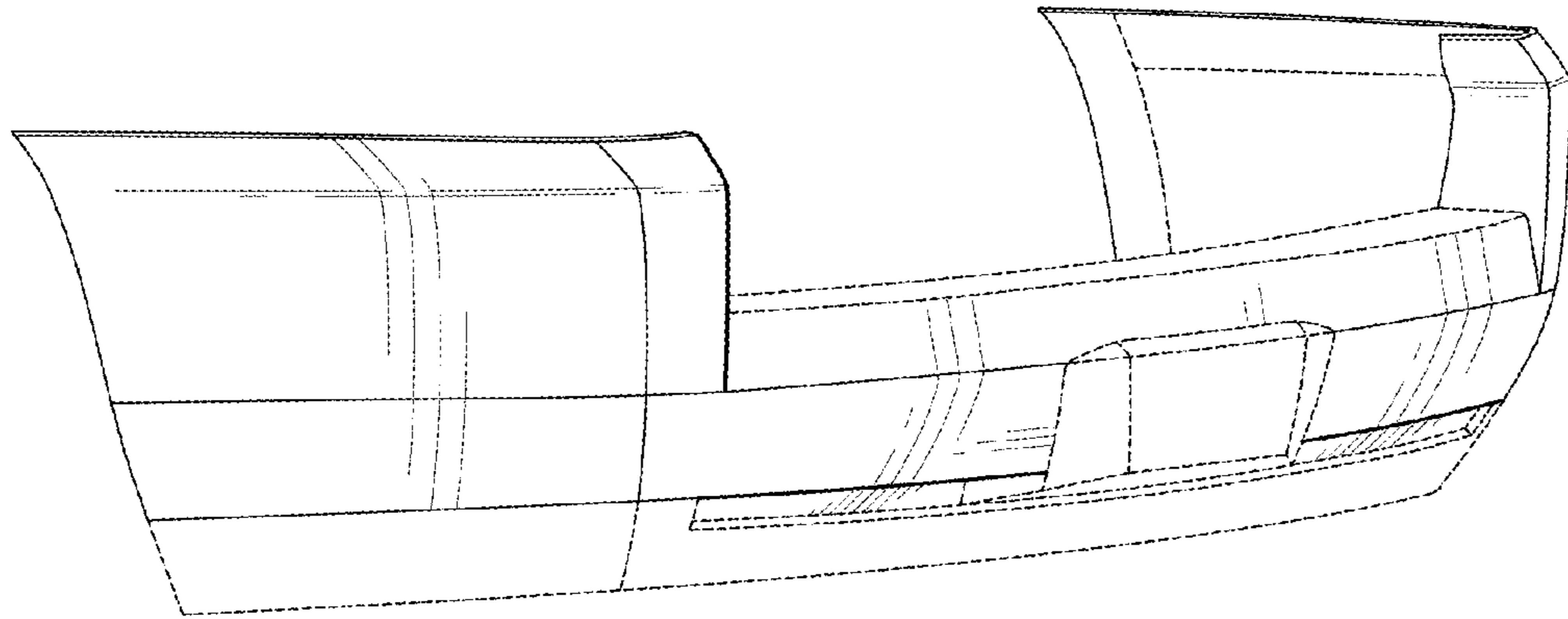


Fig-1

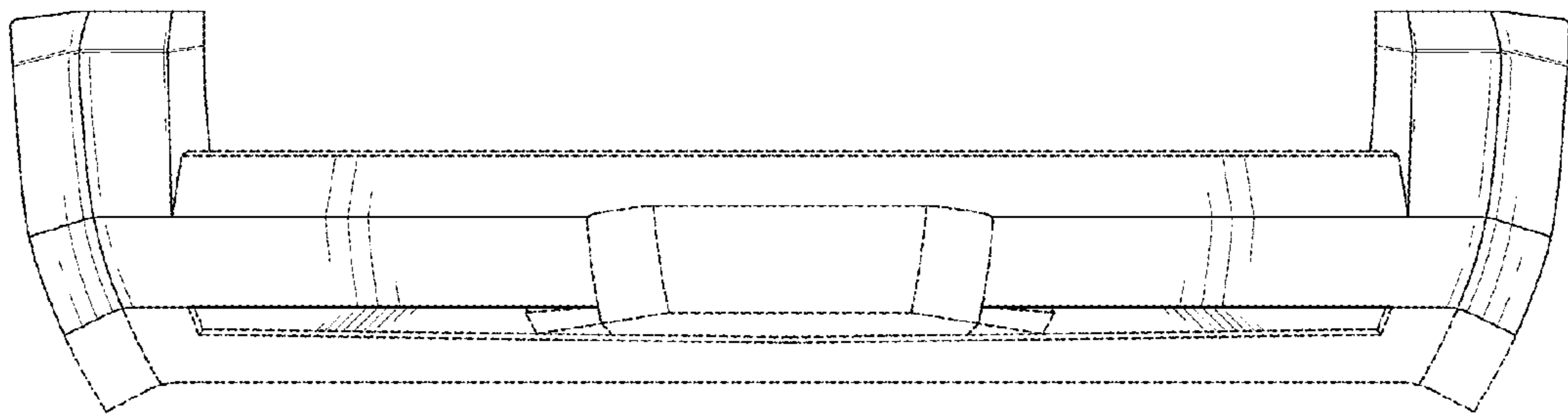


Fig-2

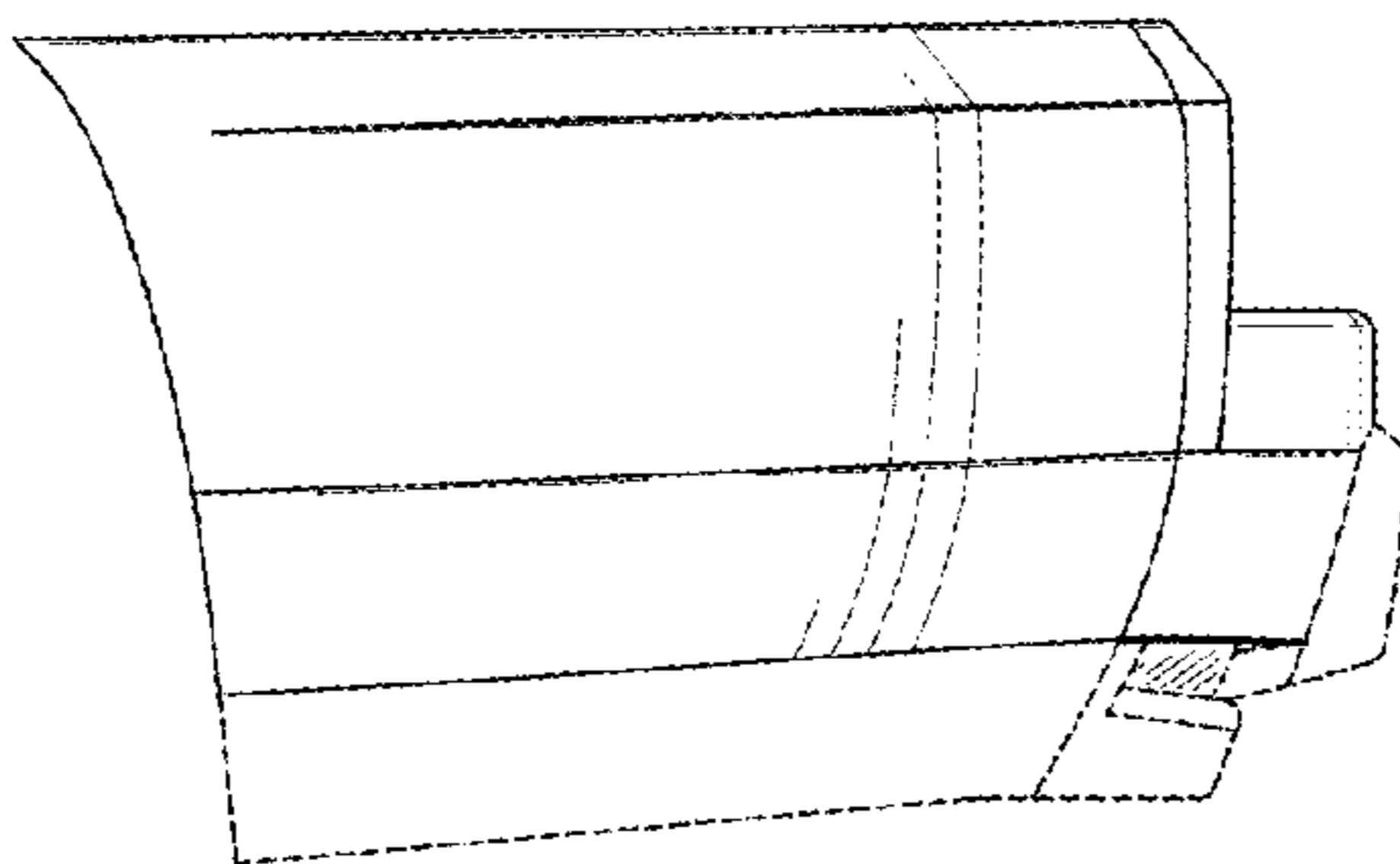


Fig-3

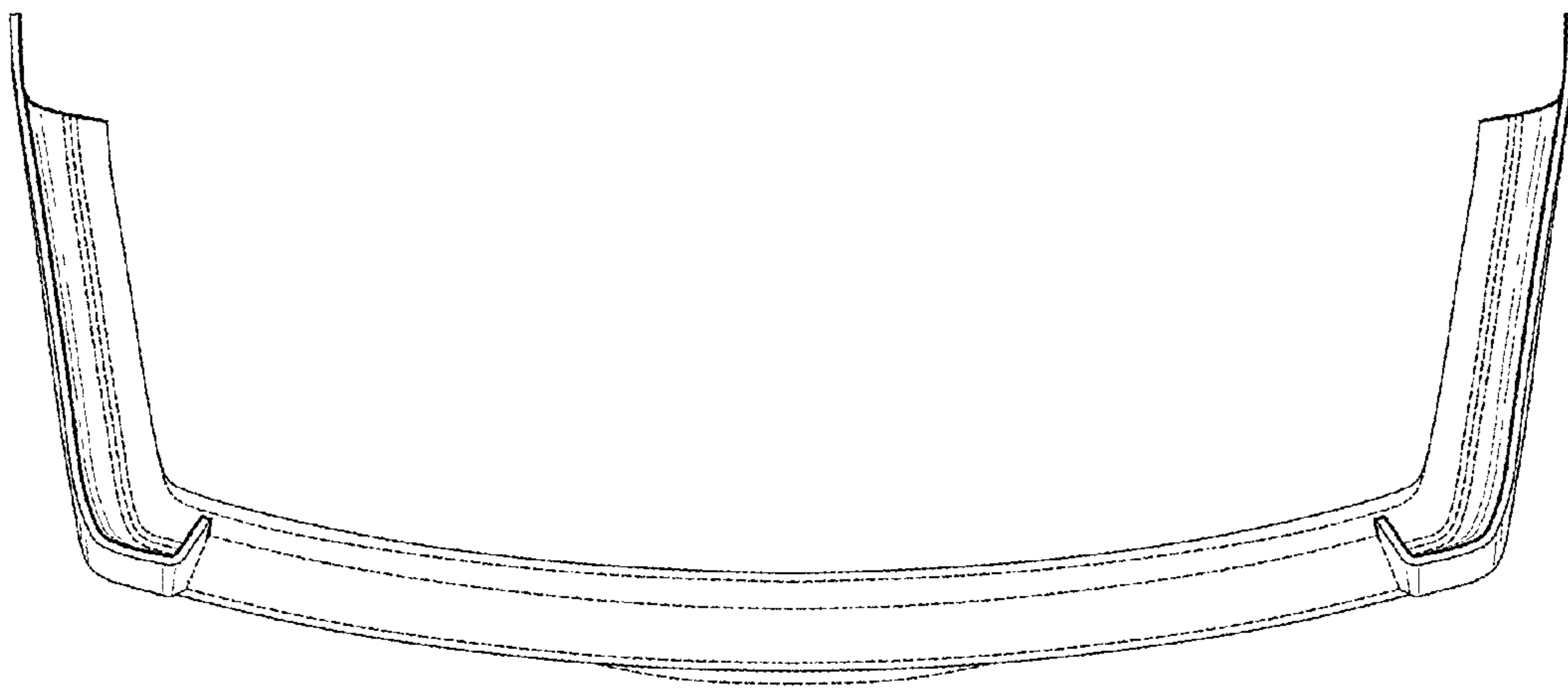


Fig-4