

US00D753032S

(12) **United States Design Patent**
Smith et al.

(10) **Patent No.:** **US D753,032 S**
(45) **Date of Patent:** **** Apr. 5, 2016**

(54) **VEHICLE REAR BUMPER**
(71) Applicant: **GM GLOBAL TECHNOLOGY OPERATIONS LLC**, Detroit, MI (US)
(72) Inventors: **Brian J. Smith**, Farmington Hills, MI (US); **Robin Krieg**, Bloomfield Hills, MI (US)
(73) Assignee: **GM Global Technology Operations LLC**, Detroit, MI (US)

D640,616 S *	6/2011	Schell et al.	D12/169
D647,831 S *	11/2011	Murakawa et al.	D12/169
D653,593 S *	2/2012	Nishihama	D12/169
D663,658 S *	7/2012	Karras et al.	D12/169
D671,049 S *	11/2012	Davidson et al.	D12/169
D673,088 S *	12/2012	Thompson	D12/169
D711,294 S *	8/2014	Karras et al.	D12/169
D721,022 S *	1/2015	Hanaoka	D12/169
D722,926 S *	2/2015	Kato	D12/169
D734,222 S *	7/2015	Duff et al.	D12/169

(**) Term: **14 Years**

(21) Appl. No.: **29/498,227**

(22) Filed: **Aug. 1, 2014**

(51) **LOC (10) Cl.** **12-16**

(52) **U.S. Cl.**
USPC **D12/169**

(58) **Field of Classification Search**
USPC D12/169, 216, 90-92, 86, 171, 196,
D12/163; 293/102, 113, 115, 117, 120;
296/180.1, 180.2
CPC . B60R 19/52; B60R 2019/25; B62D 25/0845
See application file for complete search history.

(56) **References Cited**

U.S. PATENT DOCUMENTS

6,520,553 B2 *	2/2003	Muramatsu	293/155
D583,725 S *	12/2008	Schiavone et al.	D12/169
D589,416 S *	3/2009	Osborne et al.	D12/169
D590,308 S *	4/2009	Futschik et al.	D12/169
D615,009 S *	5/2010	Schell et al.	D12/169
D619,509 S *	7/2010	Choi et al.	D12/164
D640,613 S *	6/2011	Bauer et al.	D12/169

OTHER PUBLICATIONS

Design U.S. Appl. No. 29/471,417, filed Oct. 31, 2013; First Named Inventor: Robin Krieg; Title: Vehicle Body Exterior.

* cited by examiner

Primary Examiner — Melody N Brown

(74) *Attorney, Agent, or Firm* — Reising Ethington P.C.

(57) **CLAIM**

The ornamental design for a vehicle rear bumper, as shown and described.

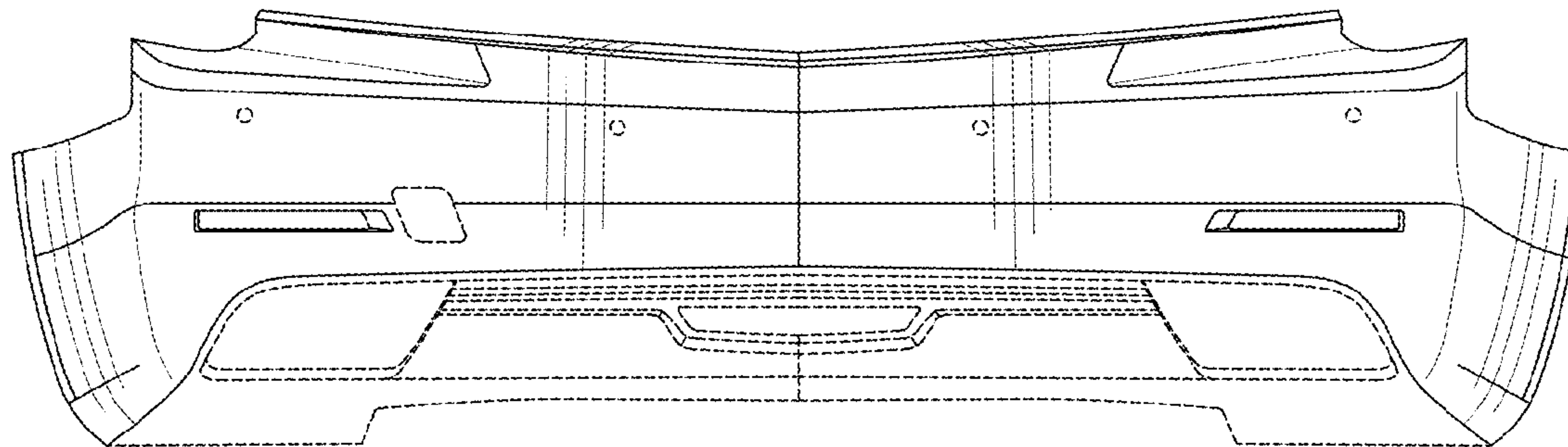
DESCRIPTION

FIG. 1 is a front perspective view of a vehicle rear bumper showing our new design;
FIG. 2 is a left side elevation view thereof;
FIG. 3 is a top plan view thereof; and,
FIG. 4 is a front view thereof.

The right side elevation view of the vehicle rear bumper is omitted because the right side elevation view is identical to the left side elevation view.

The portions of the vehicle rear bumper shown in broken lines are for illustrative purposes only and form no part of the claimed design.

1 Claim, 1 Drawing Sheet



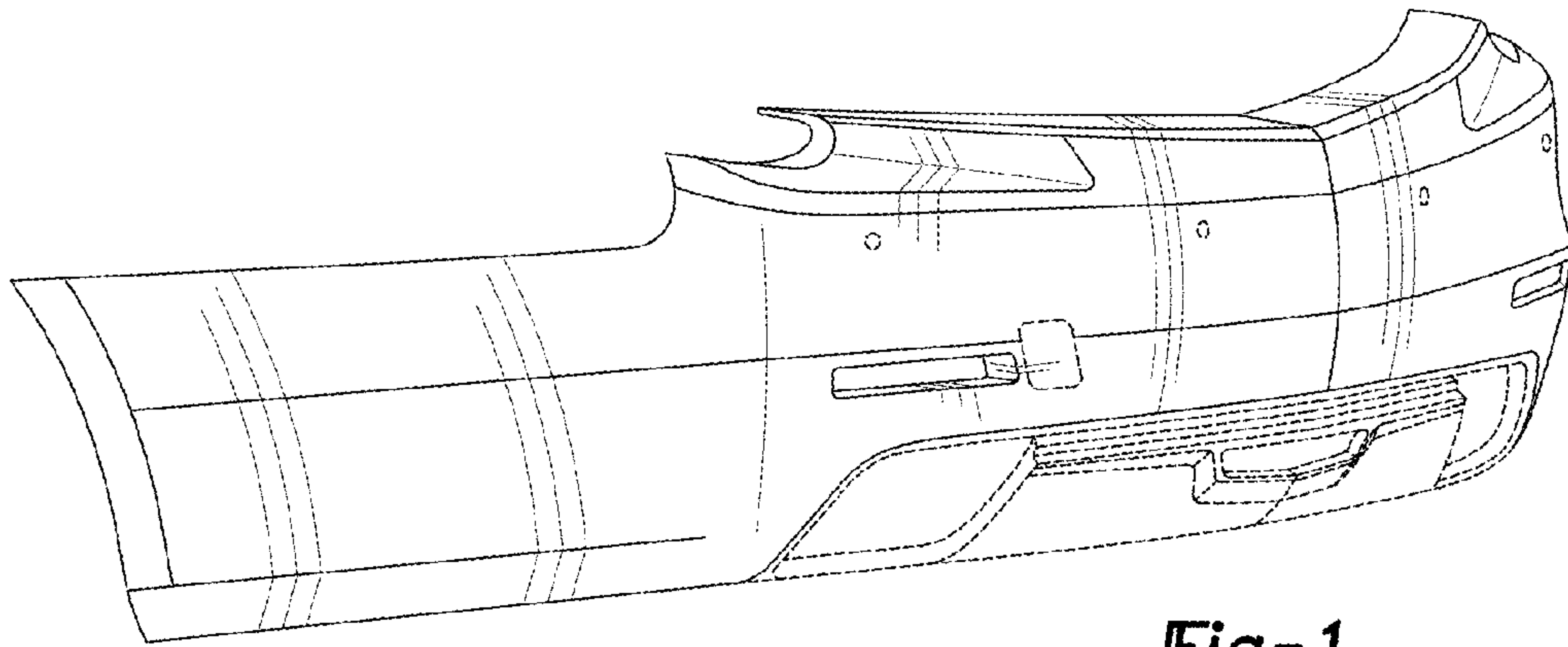


Fig-1

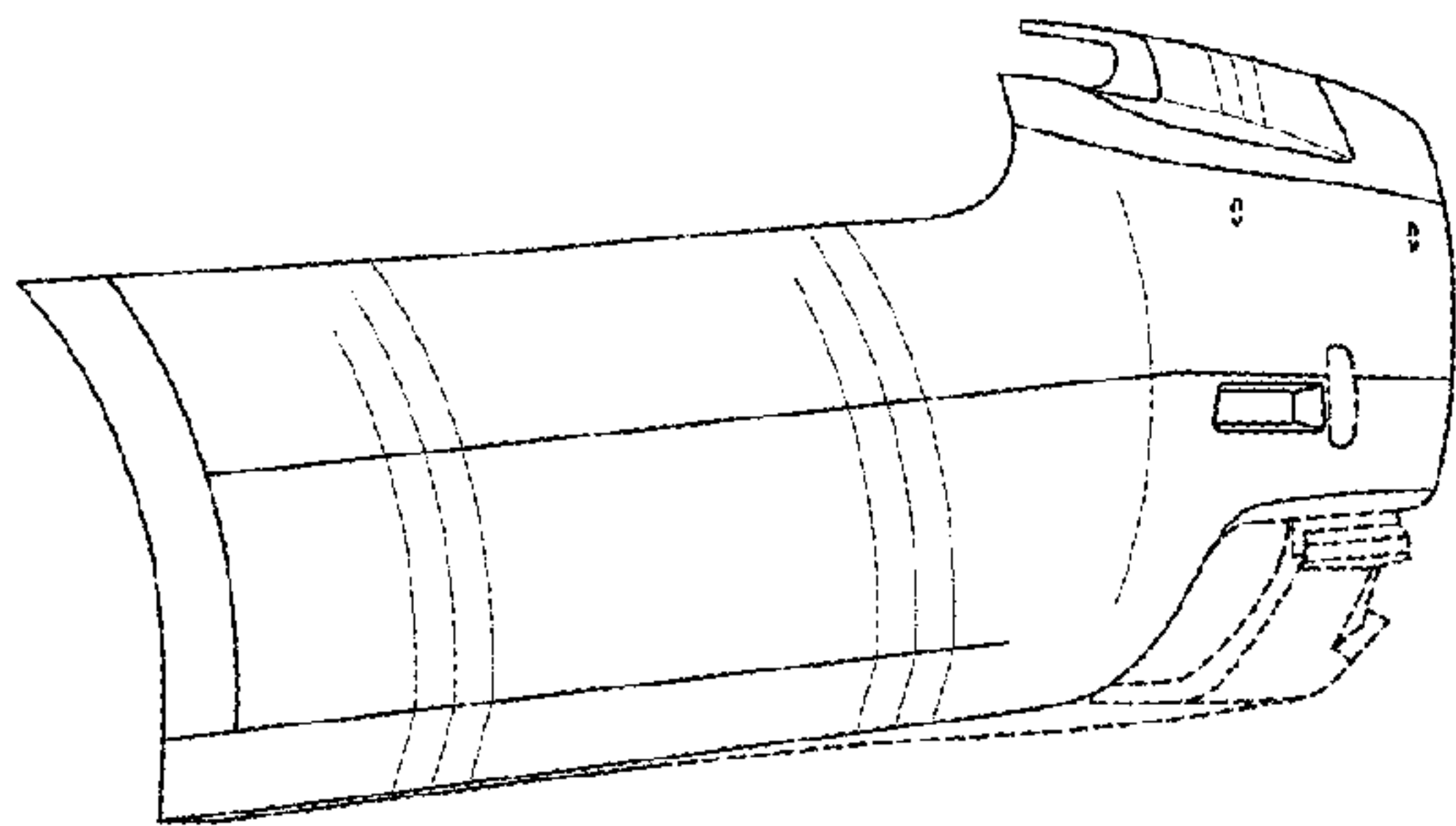


Fig-2

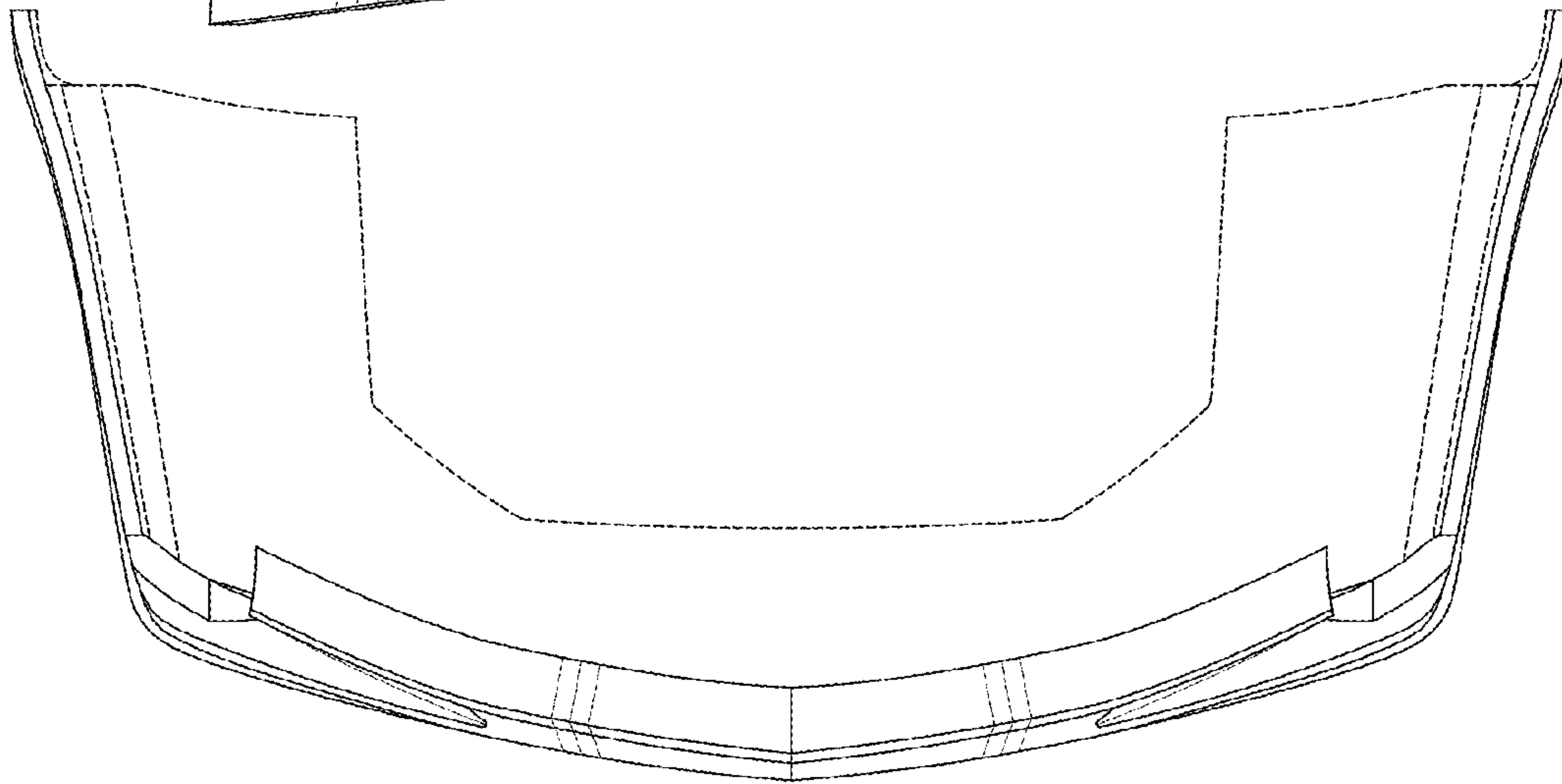


Fig-3

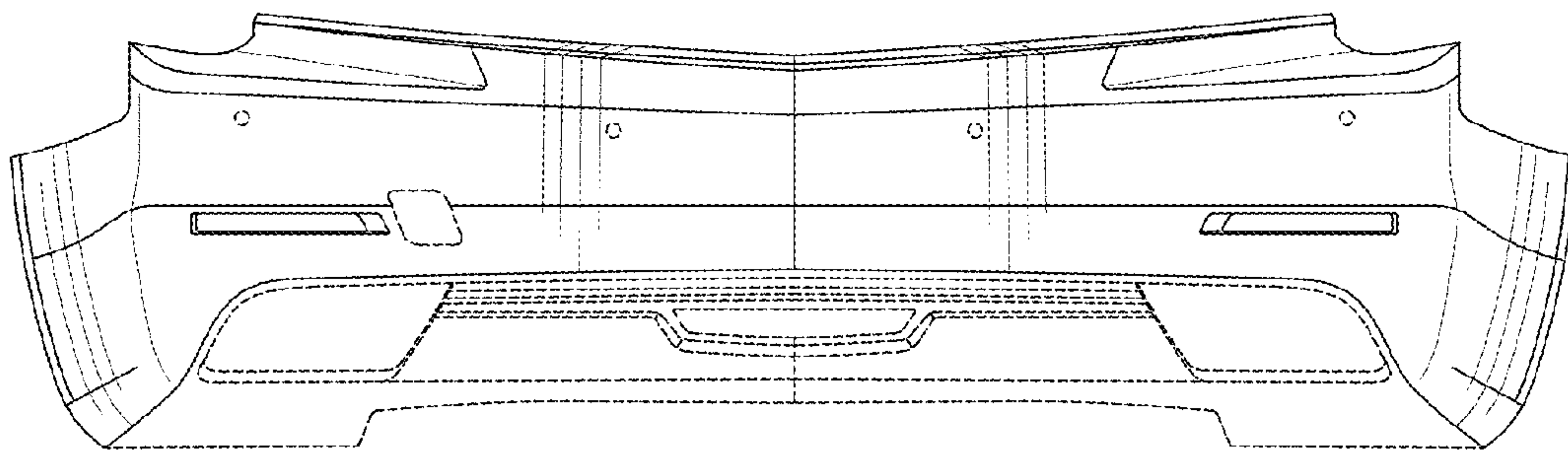


Fig-4