



US00D753026S

(12) **United States Design Patent**
Schanz et al.

(10) **Patent No.:** **US D753,026 S**
(45) **Date of Patent:** **** Apr. 5, 2016**

(54) **CYLINDER GUARD FOR MOTORCYCLES**

(71) Applicant: **Touratech AG**, Niedereschach (DE)

(72) Inventors: **Jochen Schanz**, Niedereschach (DE);
Herbert Schwarz, Niedereschach (DE)

(73) Assignee: **Touratech AG** (DE)

(**) Term: **14 Years**

(21) Appl. No.: **29/510,047**

(22) Filed: **Nov. 24, 2014**

(51) **LOC (10) Cl.** **12-11**

(52) **U.S. Cl.**

USPC **D12/126**; D12/196

(58) **Field of Classification Search**

USPC D12/114, 126, 180; D2/744, 747;
D8/303, 29, 59, 67, 68, 80, 82, 83, 86,
D8/106, 300, 309, 308; 29/428; 60/591;
70/233; 74/564; 180/68.1, 219, 227,
180/229, 311; 181/115.4, 124.128, 219,
181/220, 231; 188/1.11 L, 1.11 W, 2 D, 18 A,
188/24.11, 24.12, 24.19, 24.22, 31, 72.7,
188/73.1, 238, 244, 245, 250 B, 250 G,
188/251 A, 265, 344; 280/152.1, 272, 276,
280/279, 281.1, 284, 291, 755; 293/105;
340/454; 403/348, 361

CPC B62J 17/06; B62J 21/00; B62J 23/00;
B62K 11/04

See application file for complete search history.

(56) **References Cited**

U.S. PATENT DOCUMENTS

6,637,787 B1 * 10/2003 Salvisberg B62J 23/00
180/219
D488,415 S * 4/2004 Gough D12/190
D488,758 S * 4/2004 Gough D12/196
D631,806 S * 2/2011 Schneider D12/190
D631,807 S * 2/2011 Clottu D12/190
D637,529 S * 5/2011 Burns D12/126
D690,638 S * 10/2013 Waugh D12/195
D716,704 S * 11/2014 Schanz D12/126

D739,311 S * 9/2015 Schanz D12/114
D740,182 S * 10/2015 Schanz D12/114
D740,719 S * 10/2015 Schanz D12/114
2008/0202835 A1 * 8/2008 Suita B62J 17/02
180/219
2012/0073893 A1 * 3/2012 Muroo B62J 21/00
180/311
2014/0084623 A1 * 3/2014 Miyamoto B62J 25/00
296/180.1
2015/0000616 A1 * 1/2015 Yamashiro F01P 11/04
123/41.01

* cited by examiner

Primary Examiner — Philip S Hyder

Assistant Examiner — Darlington Ly

(74) *Attorney, Agent, or Firm* — Tarolli, Sundheim, Covell
& Tummino LLP

(57) **CLAIM**

We claim the ornamental design for a cylinder guard for motorcycles, as shown and described.

DESCRIPTION

FIG. 1 is a front perspective view of the right hand embodiment of the cylinder guard for motorcycles showing our new design;

FIG. 2 is a rear perspective view thereof;

FIG. 3 is a front elevation view thereof;

FIG. 4 is a rear elevation view thereof;

FIG. 5 is a left elevation view thereof;

FIG. 6 is a right elevation view thereof;

FIG. 7 is a top plan view thereof;

FIG. 8 is a bottom plan view thereof;

FIG. 9 is a front perspective view of the left hand embodiment of the cylinder guard for motorcycles showing our new design;

FIG. 10 is a rear perspective view thereof;

FIG. 11 is a front elevation view thereof;

FIG. 12 is a rear elevation view thereof;

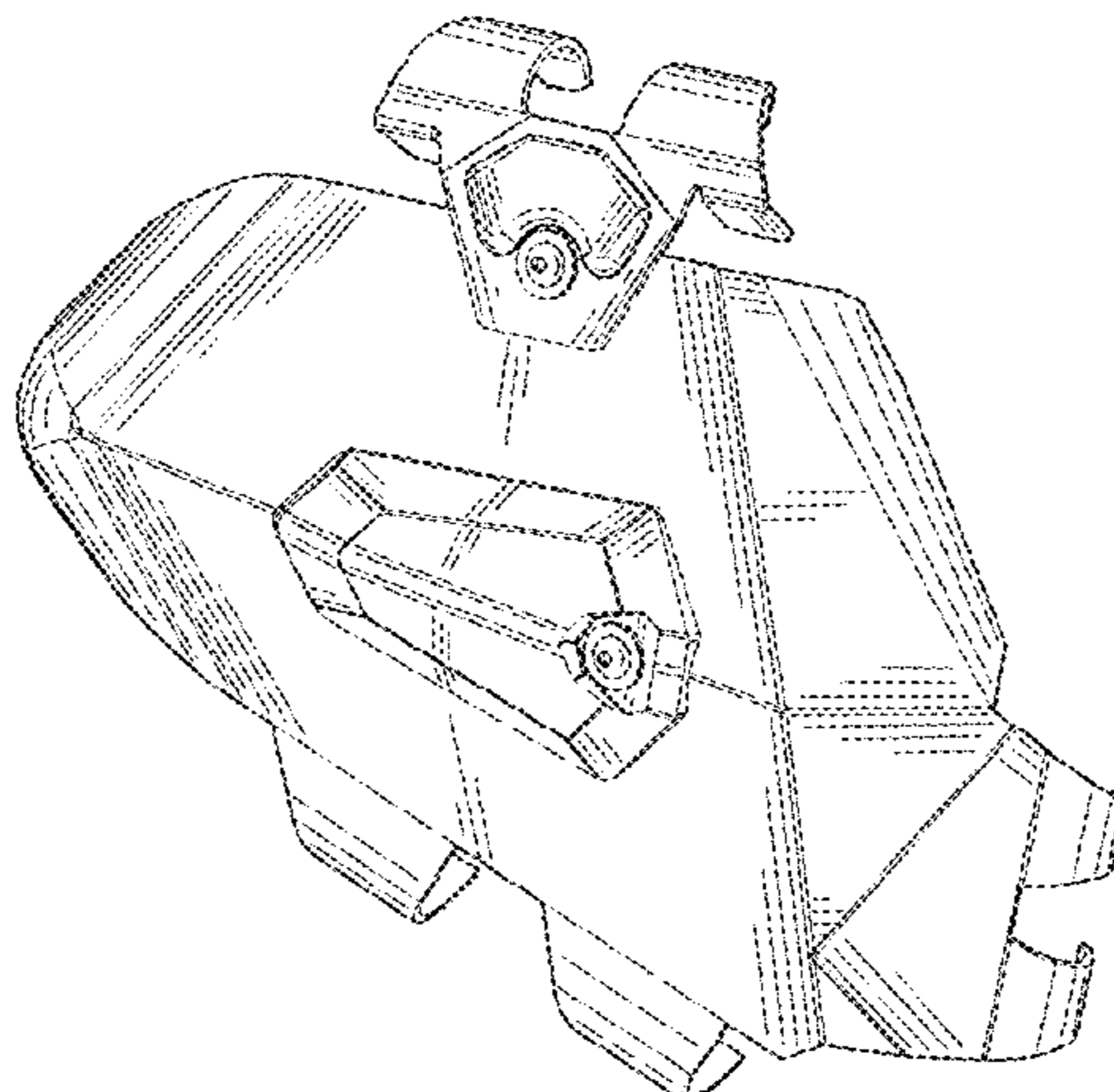
FIG. 13 is a left elevation view thereof;

FIG. 14 is a right elevation view thereof;

FIG. 15 is a top plan view thereof; and,

FIG. 16 is a bottom plan view thereof.

1 Claim, 12 Drawing Sheets



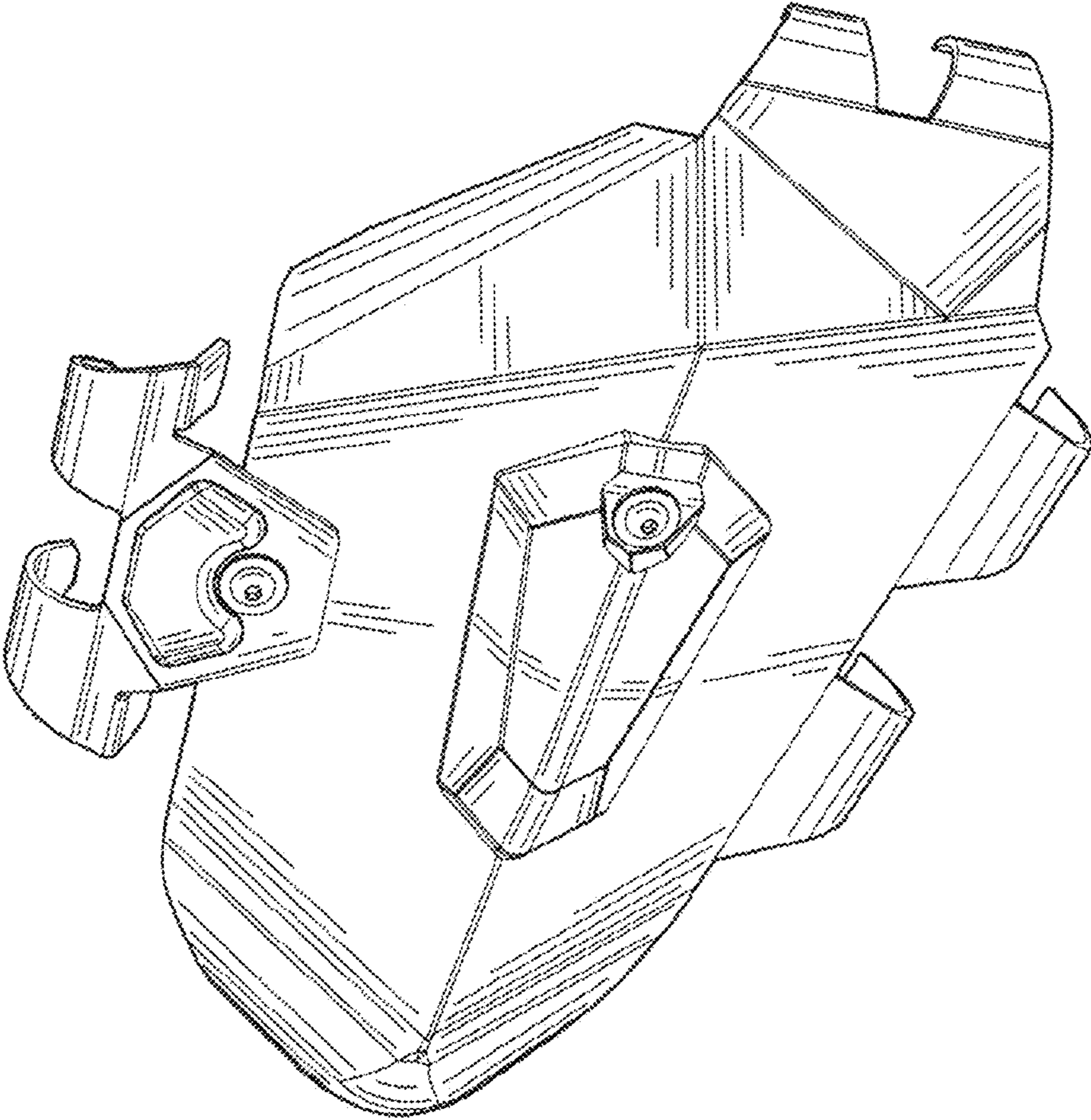


FIG. 1

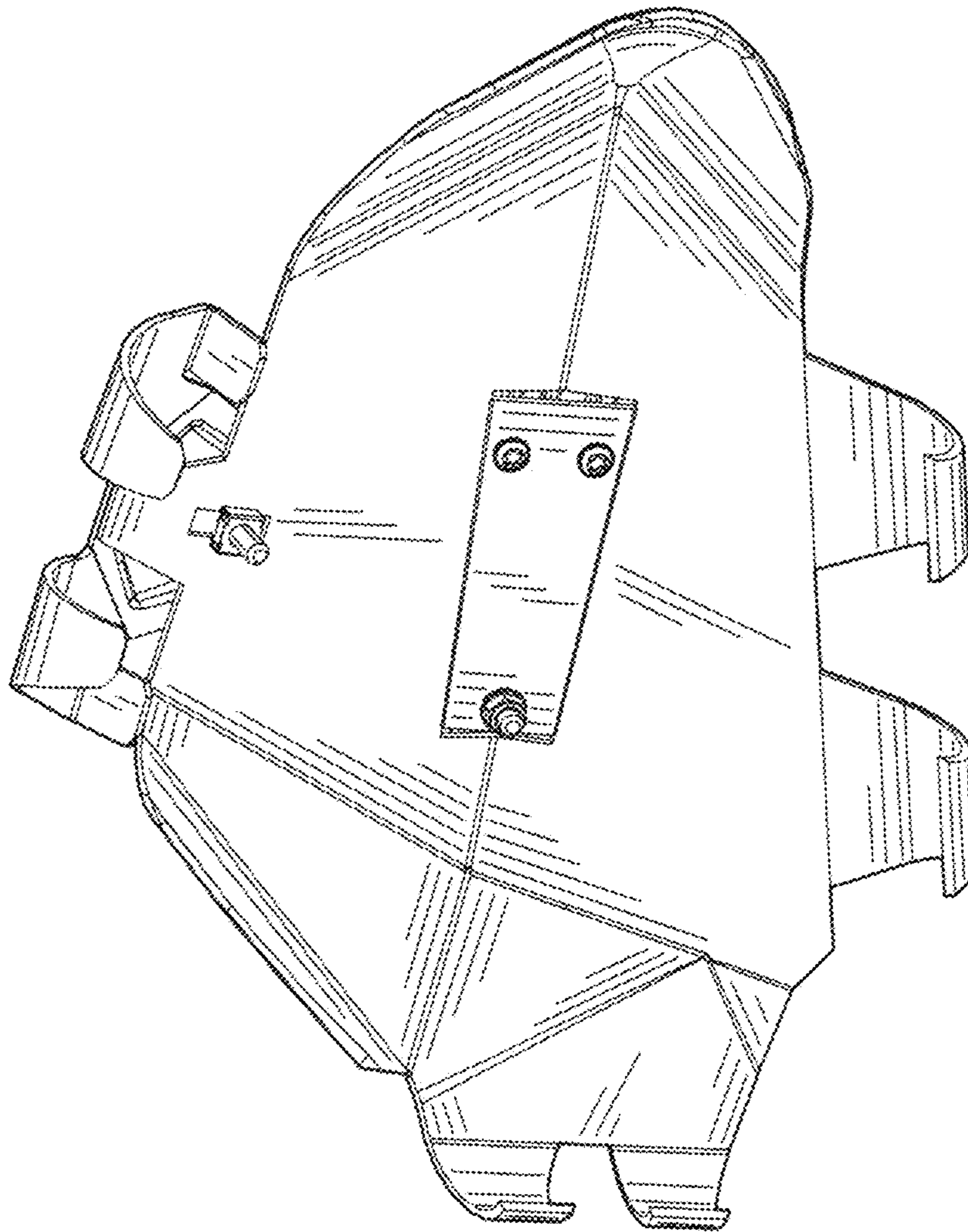


FIG. 2

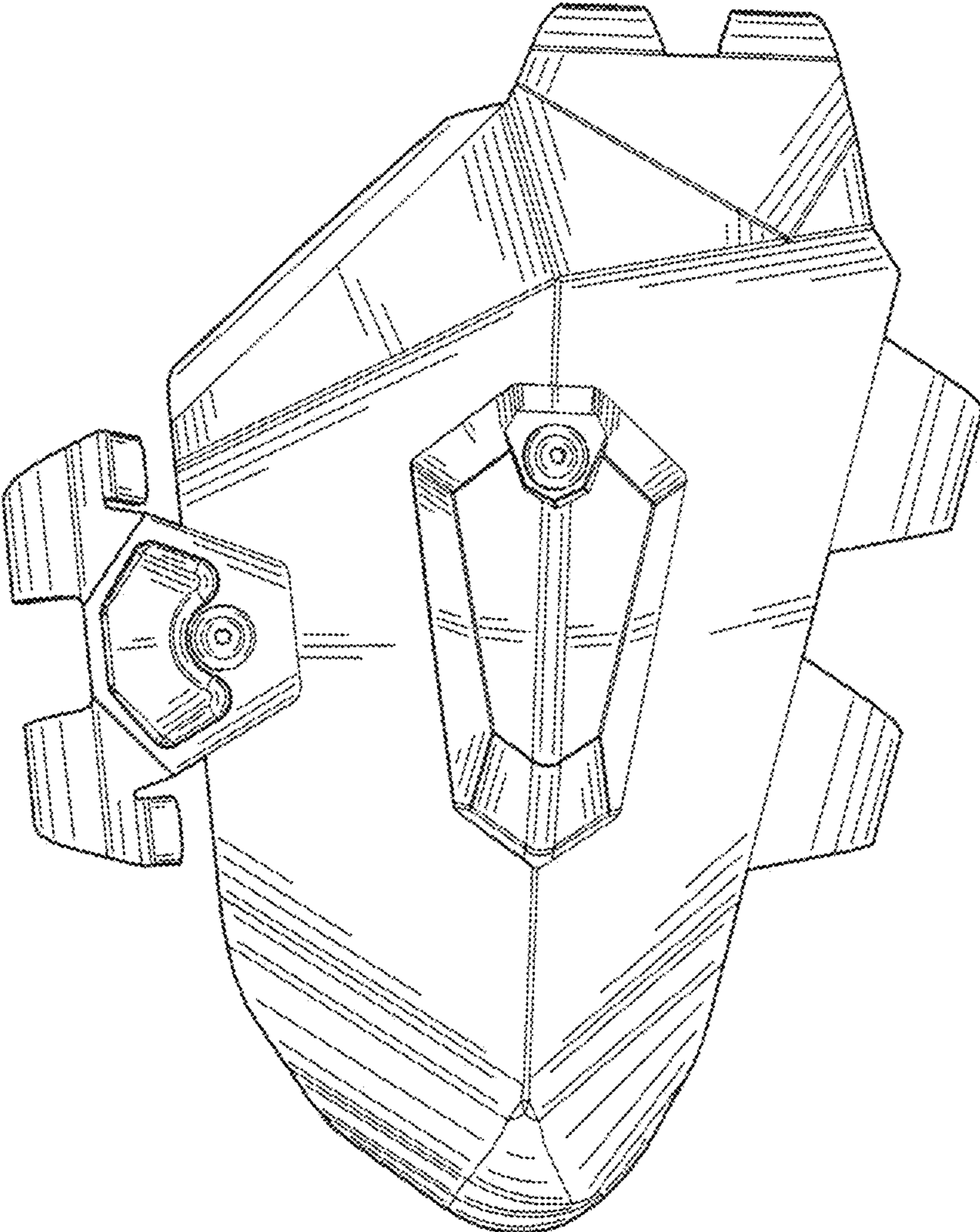


FIG. 3

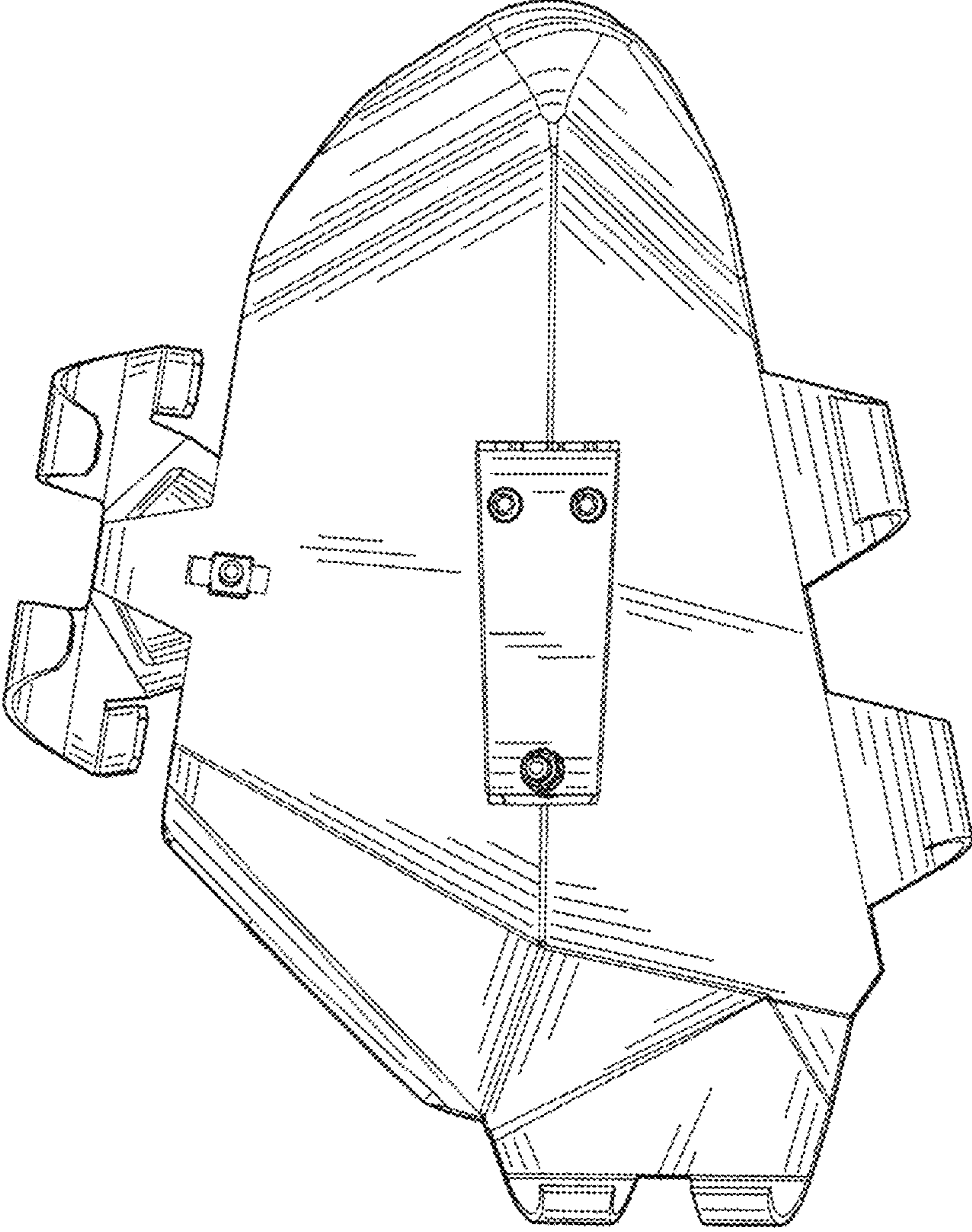


FIG. 4

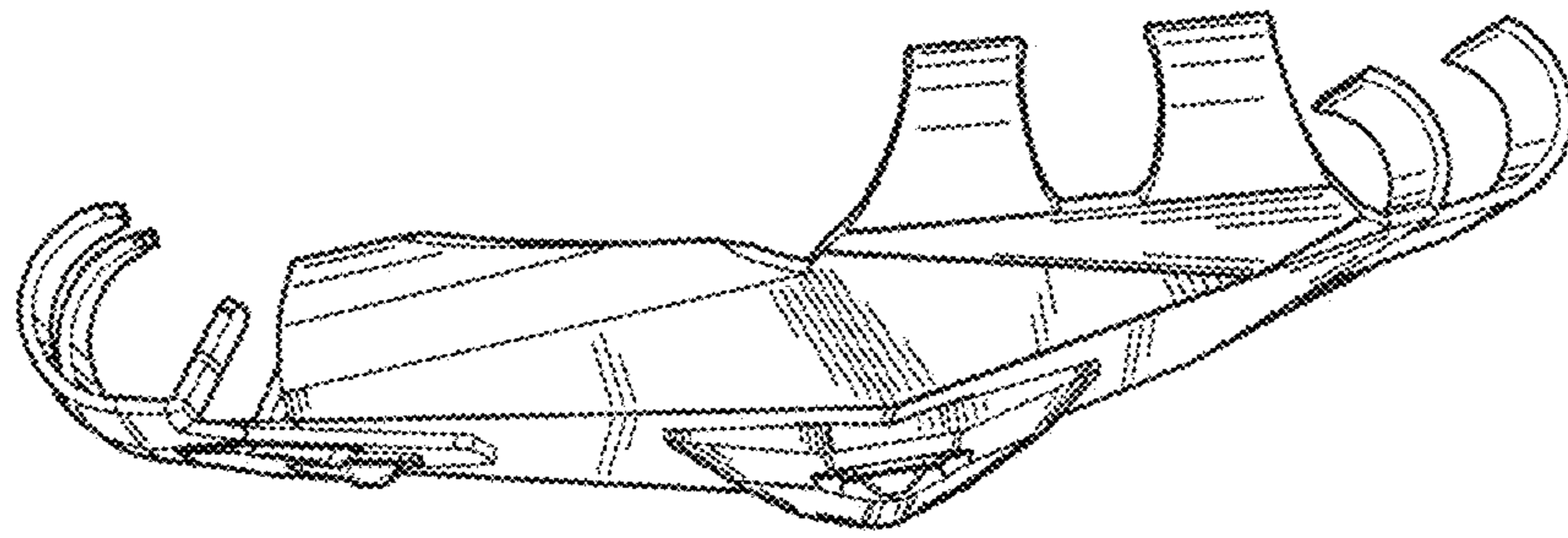


FIG. 6

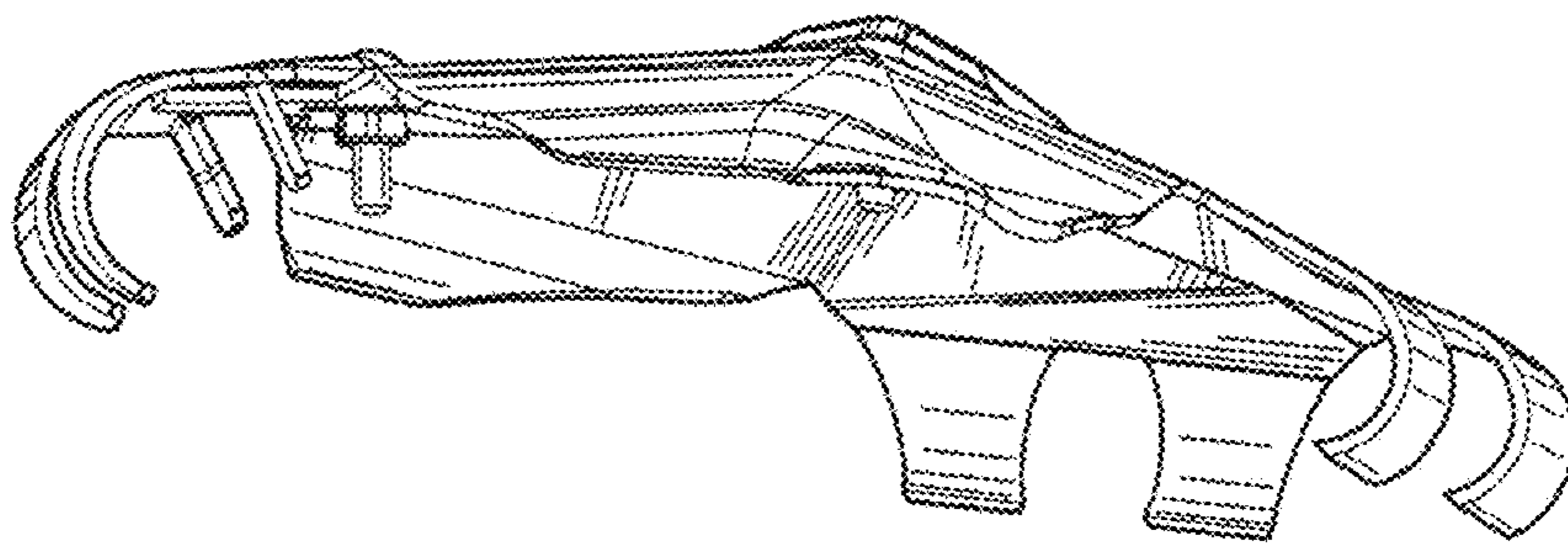


FIG. 5

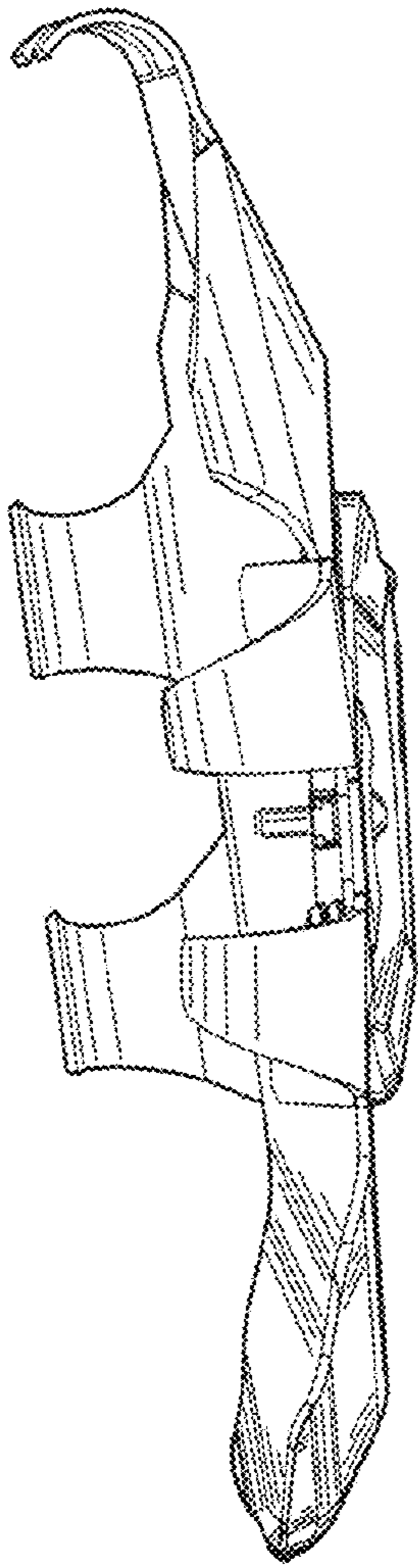


FIG. 7

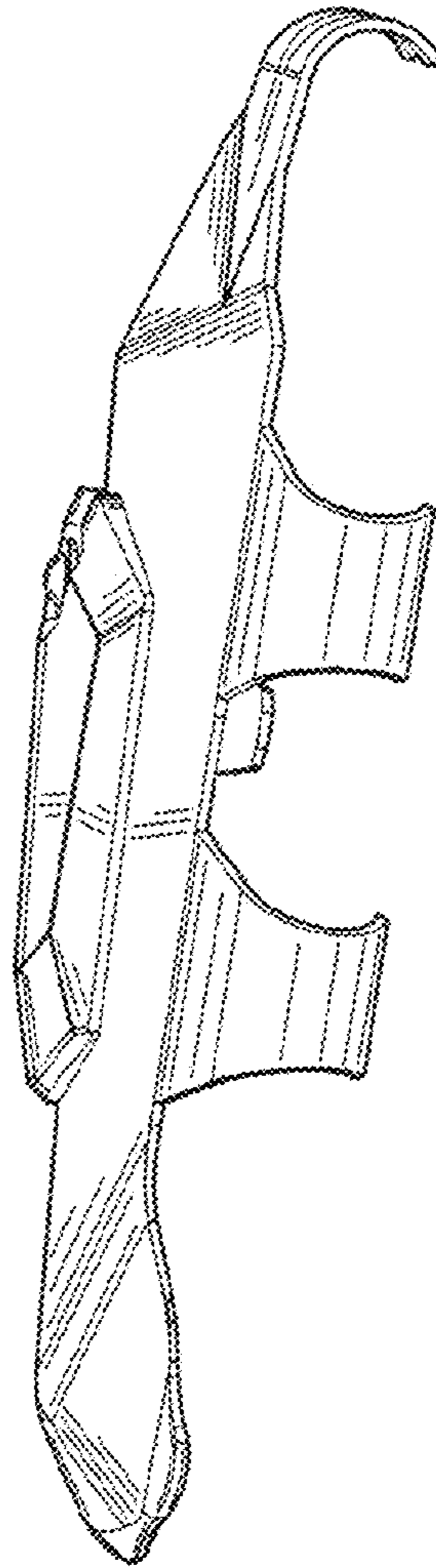


FIG. 8

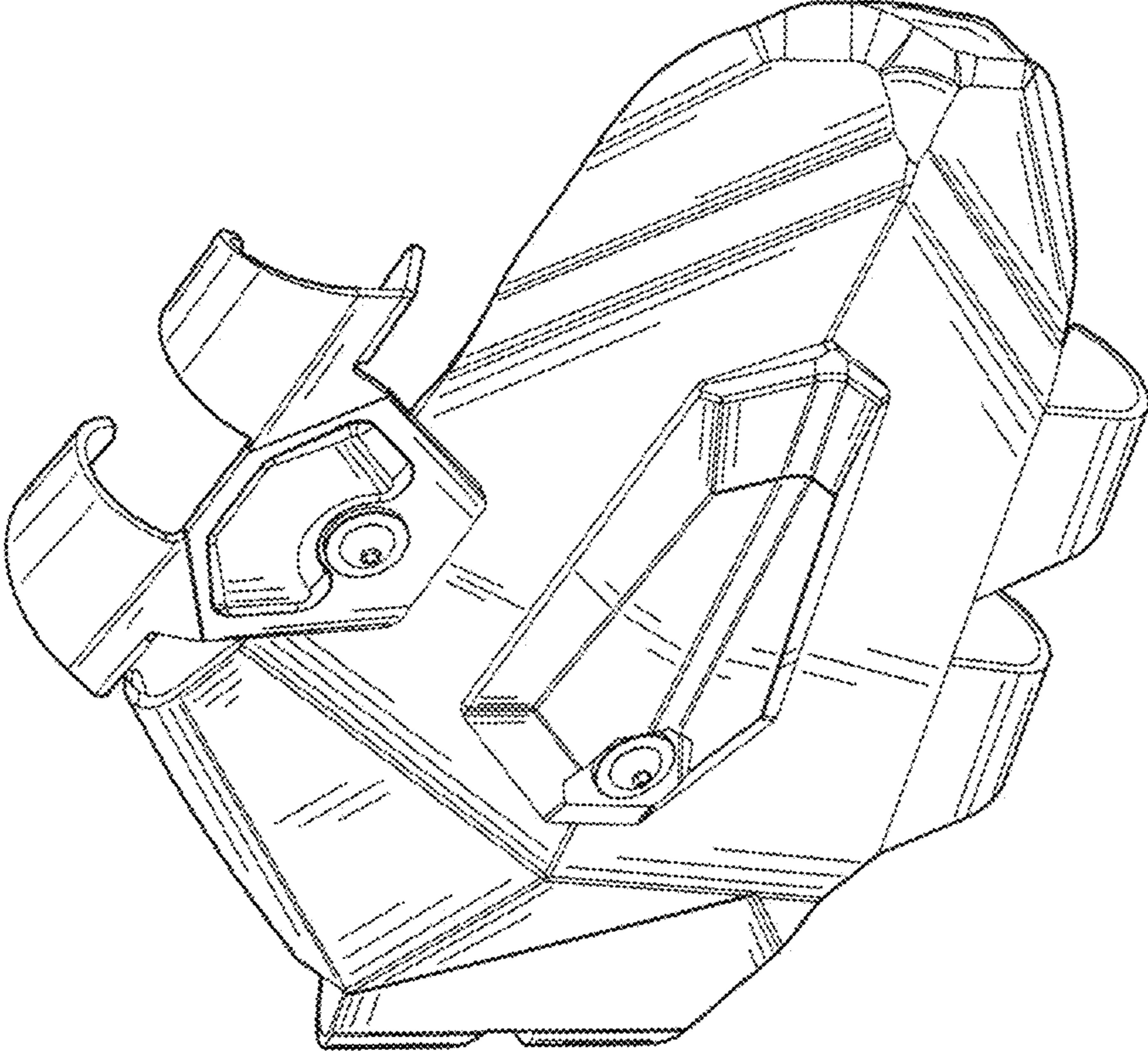


FIG. 9

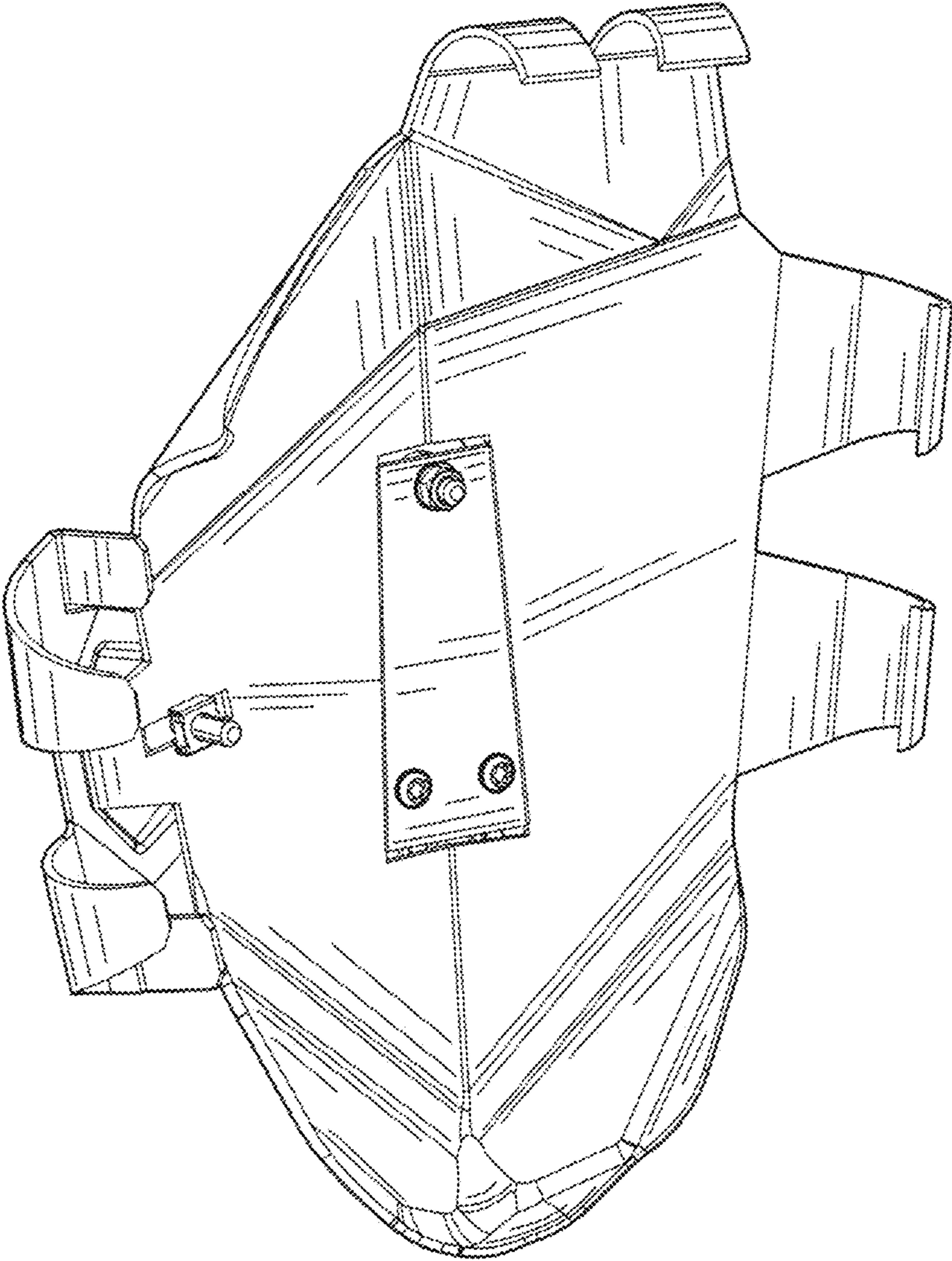


FIG. 10

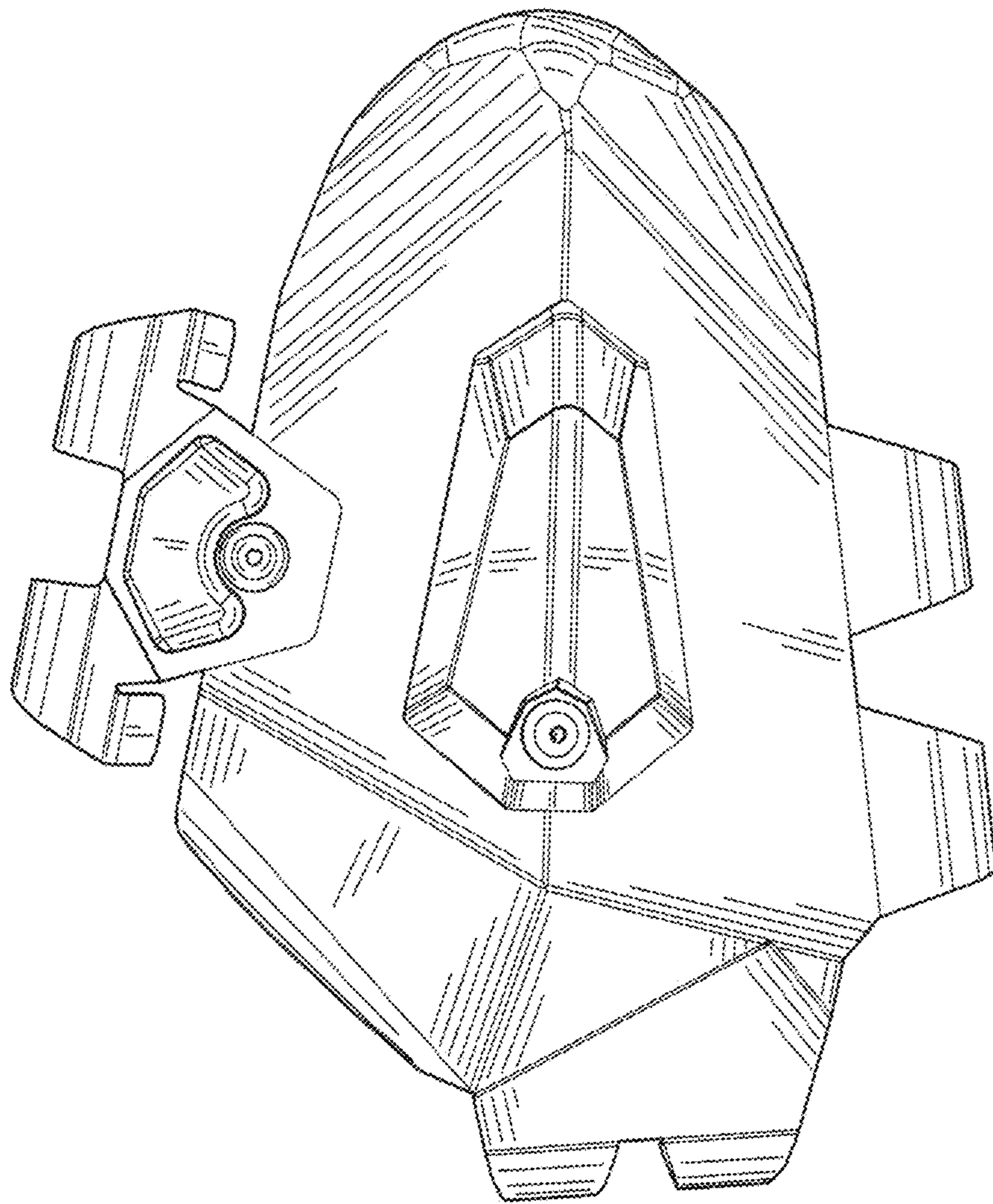


FIG. 11

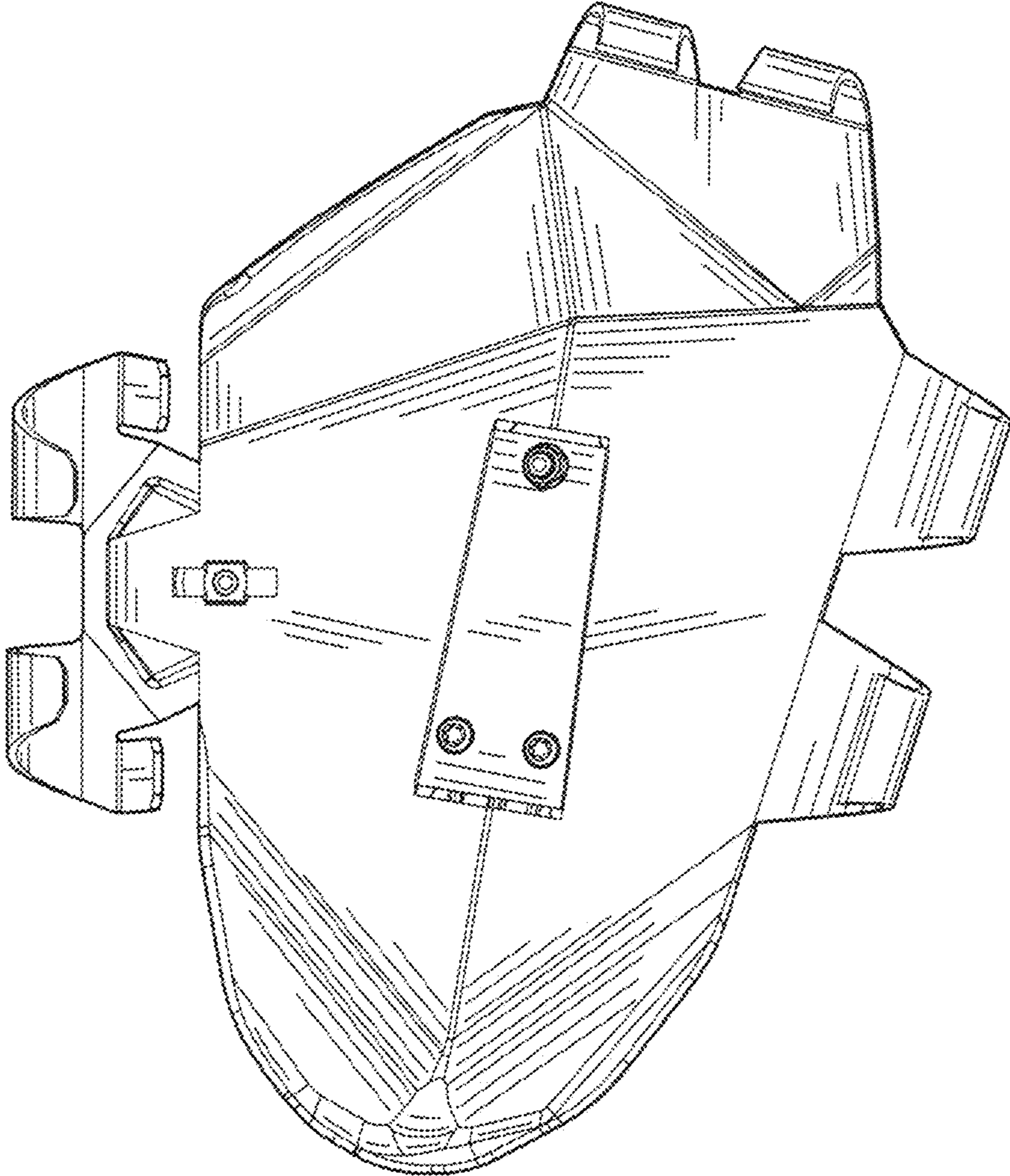


FIG. 12

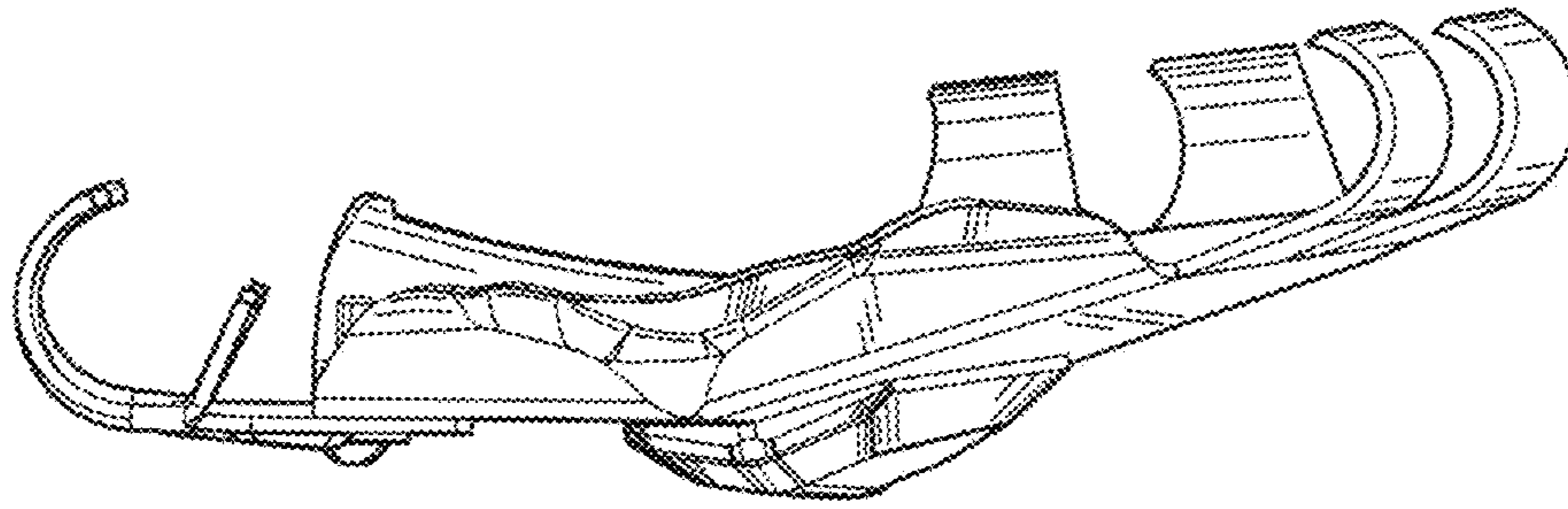


FIG. 14

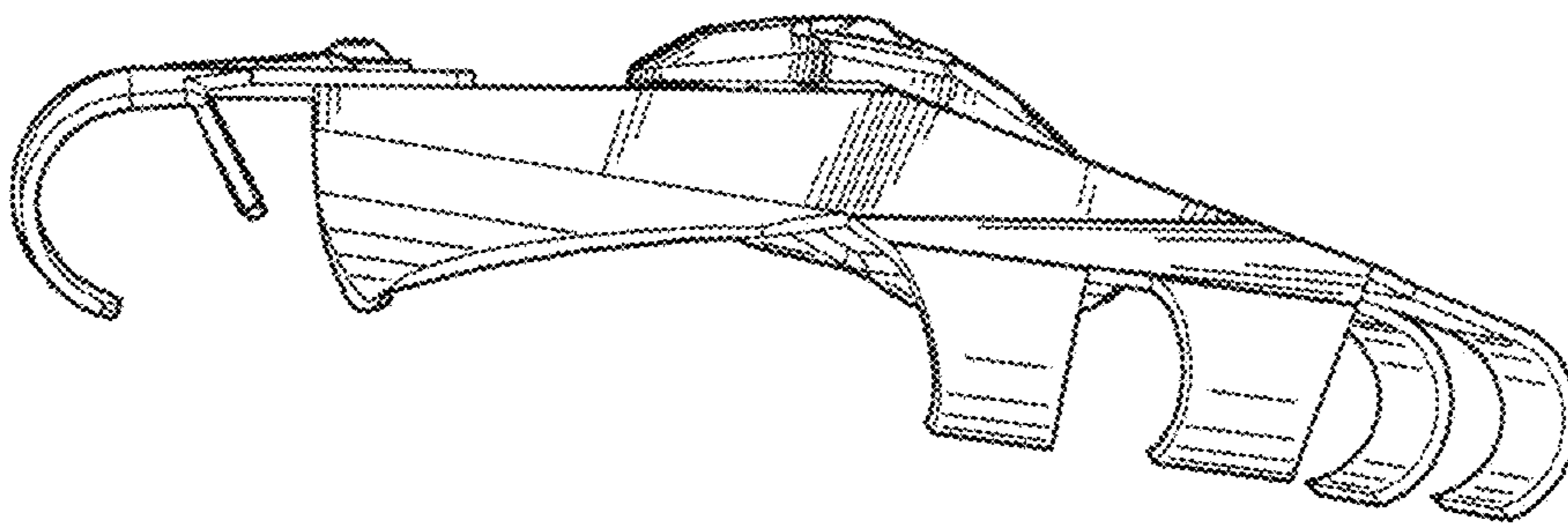


FIG. 13

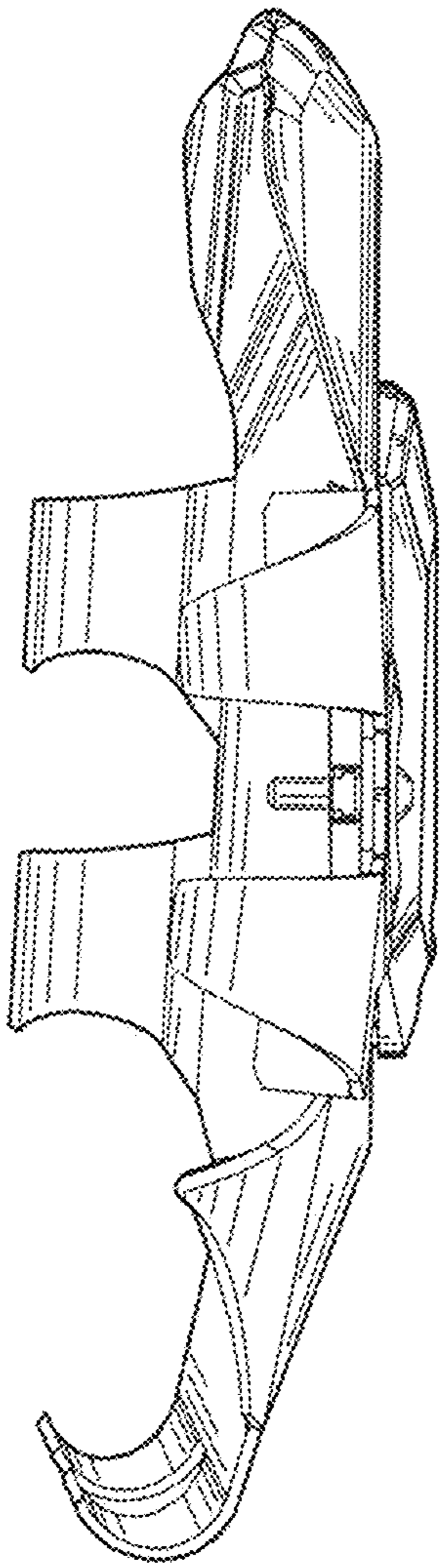


FIG. 15

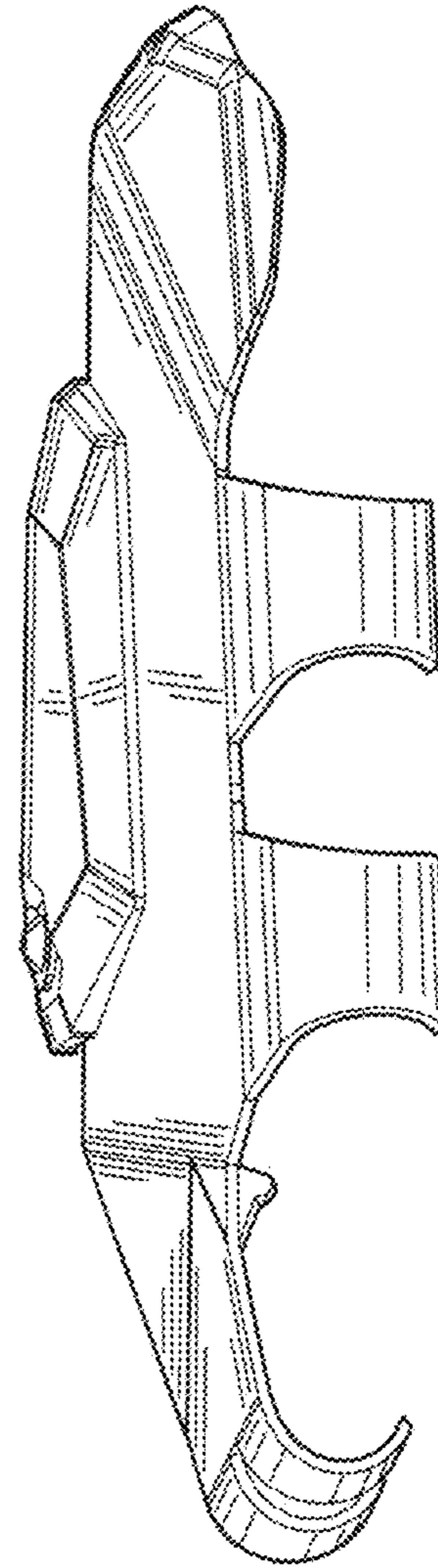


FIG. 16