



US00D753025S

(12) **United States Design Patent**  
**Chen**

(10) **Patent No.:** **US D753,025 S**

(45) **Date of Patent:** **\*\* Apr. 5, 2016**

(54) **BICYCLE STEM**

(71) Applicant: **Chao-Hu Chen**, Taichung (TW)

(72) Inventor: **Chao-Hu Chen**, Taichung (TW)

(73) Assignee: **Jennifer Chen-Lee**, Taichung (TW)

(\*\*) Term: **14 Years**

(21) Appl. No.: **29/510,978**

(22) Filed: **Dec. 4, 2014**

(51) **LOC (10) Cl.** ..... **12-11**

(52) **U.S. Cl.**

USPC ..... **D12/118**

(58) **Field of Classification Search**

USPC ..... D12/111, 117, 118, 178;

74/551.1-551.9; 280/279, 280; 403/24,

403/190, 191, 207, 289, 290, 359, 373

CPC ..... B62K 19/40; B62K 21/12; B62K 21/18;

B62J 11/00

See application file for complete search history.

(56) **References Cited**

**U.S. PATENT DOCUMENTS**

D313,206 S \* 12/1990 Ringle ..... D12/118

D381,296 S \* 7/1997 Kurke ..... D12/118

D451,847 S \* 12/2001 Thomson ..... D12/118

6,343,891 B1 \* 2/2002 Combs ..... B62K 21/12

6,945,135 B1 \* 9/2005 Thomson ..... B62K 21/12

403/385

403/344

D512,348 S \* 12/2005 McJunkin ..... D12/118

D515,480 S \* 2/2006 McJunkin ..... D12/178

D515,481 S \* 2/2006 McJunkin ..... D12/178

D516,965 S \* 3/2006 McJunkin ..... D12/118

D528,047 S \* 9/2006 McJunkin ..... D12/118

2005/0248120 A1 \* 11/2005 McJunkin ..... B62K 21/12

280/279

2009/0079160 A1 \* 3/2009 Lai ..... B62K 21/16

280/279

2011/0219908 A1 \* 9/2011 Wehage ..... B62K 21/16

74/551.1

2012/0255391 A1 \* 10/2012 Gueugneaud ..... B62K 21/12

74/551.1

2013/0263689 A1 \* 10/2013 Robinson ..... G05G 1/12

74/548

2014/0061271 A1 \* 3/2014 Tate ..... B60R 11/00

224/545

2014/0116195 A1 \* 5/2014 Gu ..... B62K 21/14

74/551.2

2015/0225035 A1 \* 8/2015 Li ..... B62K 21/12

74/511.8

2015/0259023 A1 \* 9/2015 Nago ..... B62K 21/12

280/279

\* cited by examiner

*Primary Examiner* — Philip S Hyder

*Assistant Examiner* — Darlington Ly

(57) **CLAIM**

The ornamental design for a bicycle stem, as shown and described.

**DESCRIPTION**

FIG. 1 is a top, front and right side perspective view of a bicycle stem illustrating my new design;

FIG. 2 is a front elevational view thereof;

FIG. 3 is a rear elevational view thereof;

FIG. 4 is a left side view thereof;

FIG. 5 is a right side view thereof;

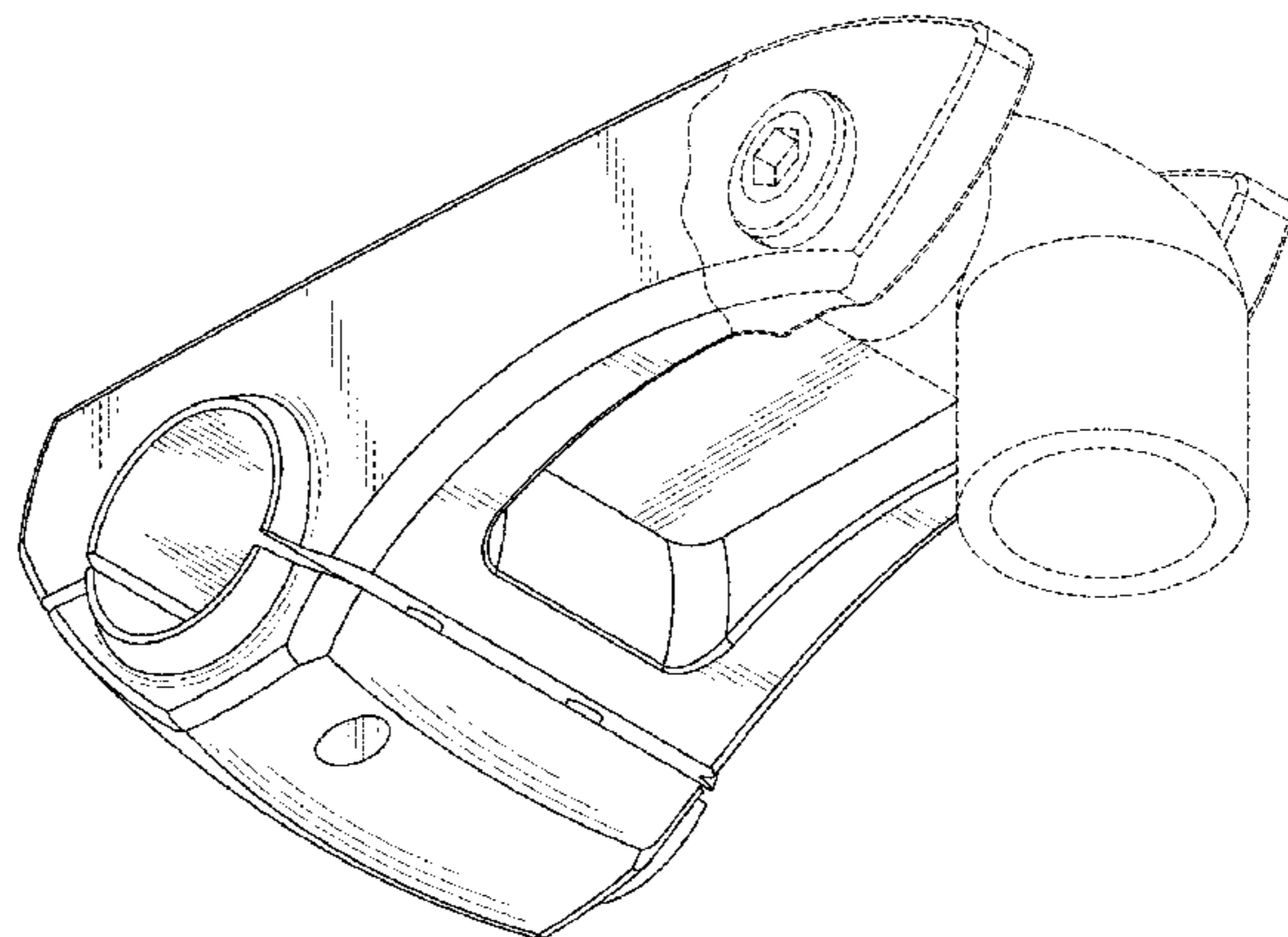
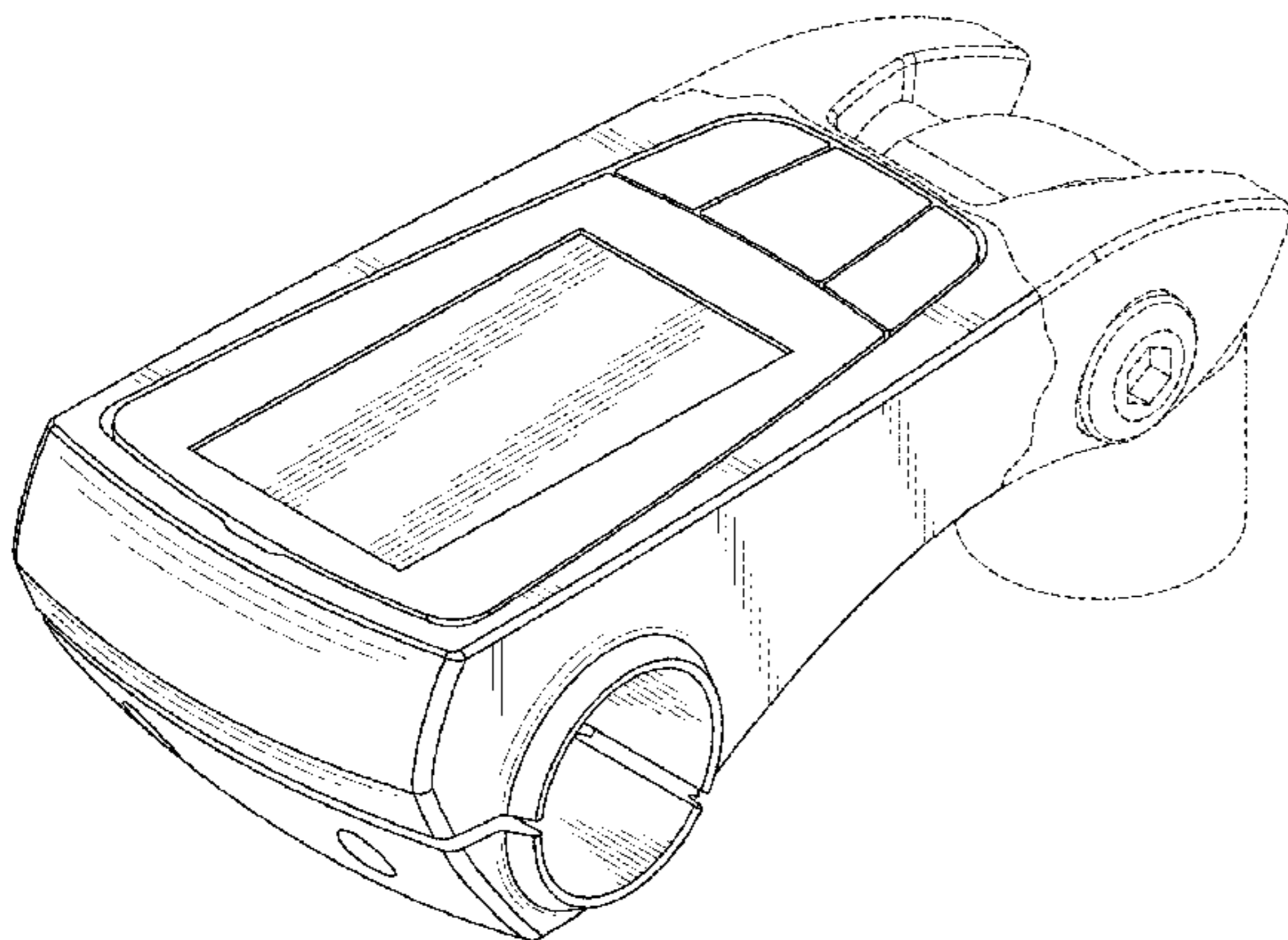
FIG. 6 is a top plan view thereof;

FIG. 7 is a bottom plan view thereof; and,

FIG. 8 is a bottom, rear, right side perspective view thereof.

The broken lines in the drawings illustrate portions of the bicycle stem that forms not part of the claimed design.

**1 Claim, 6 Drawing Sheets**



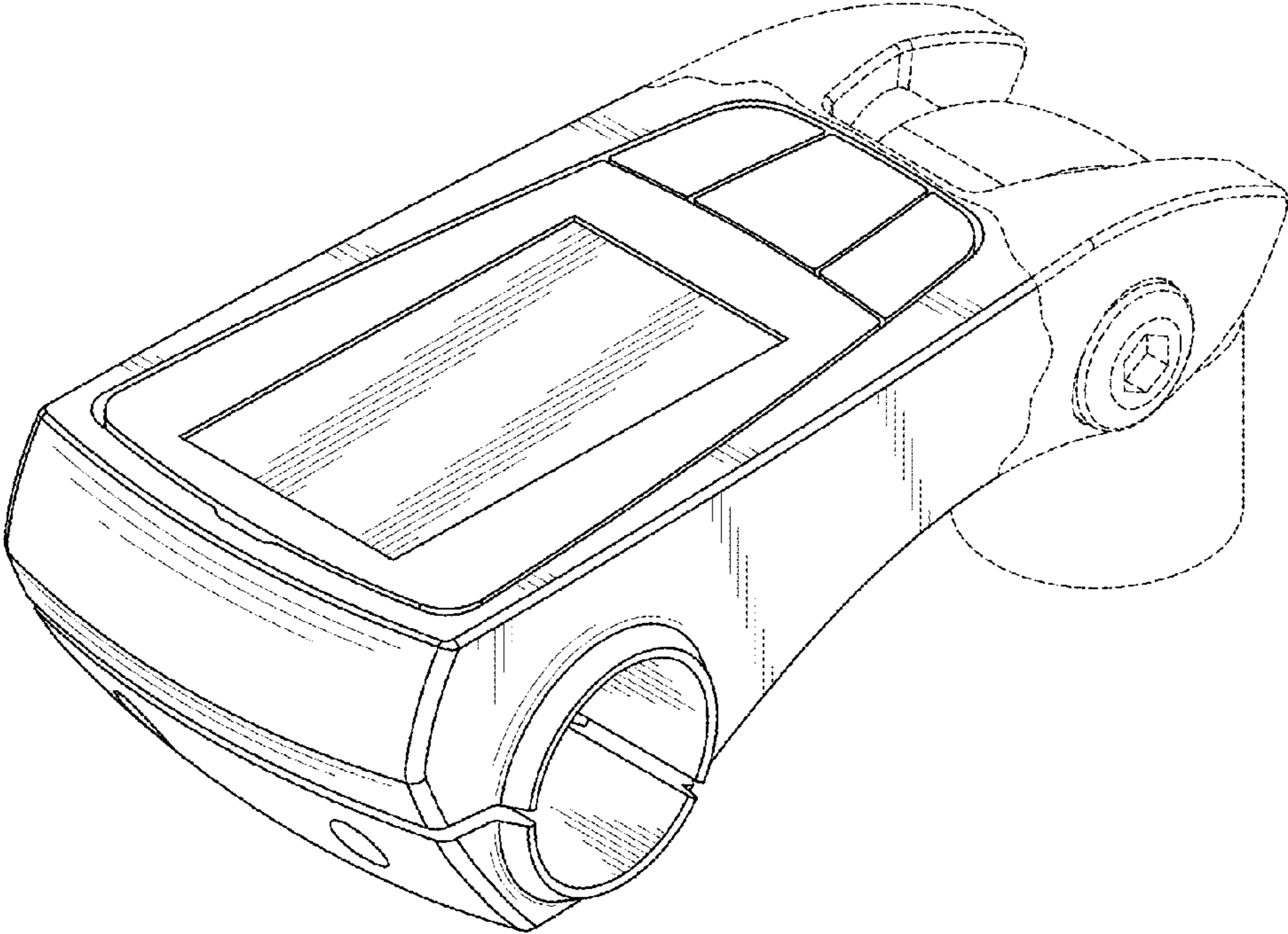


FIG.1

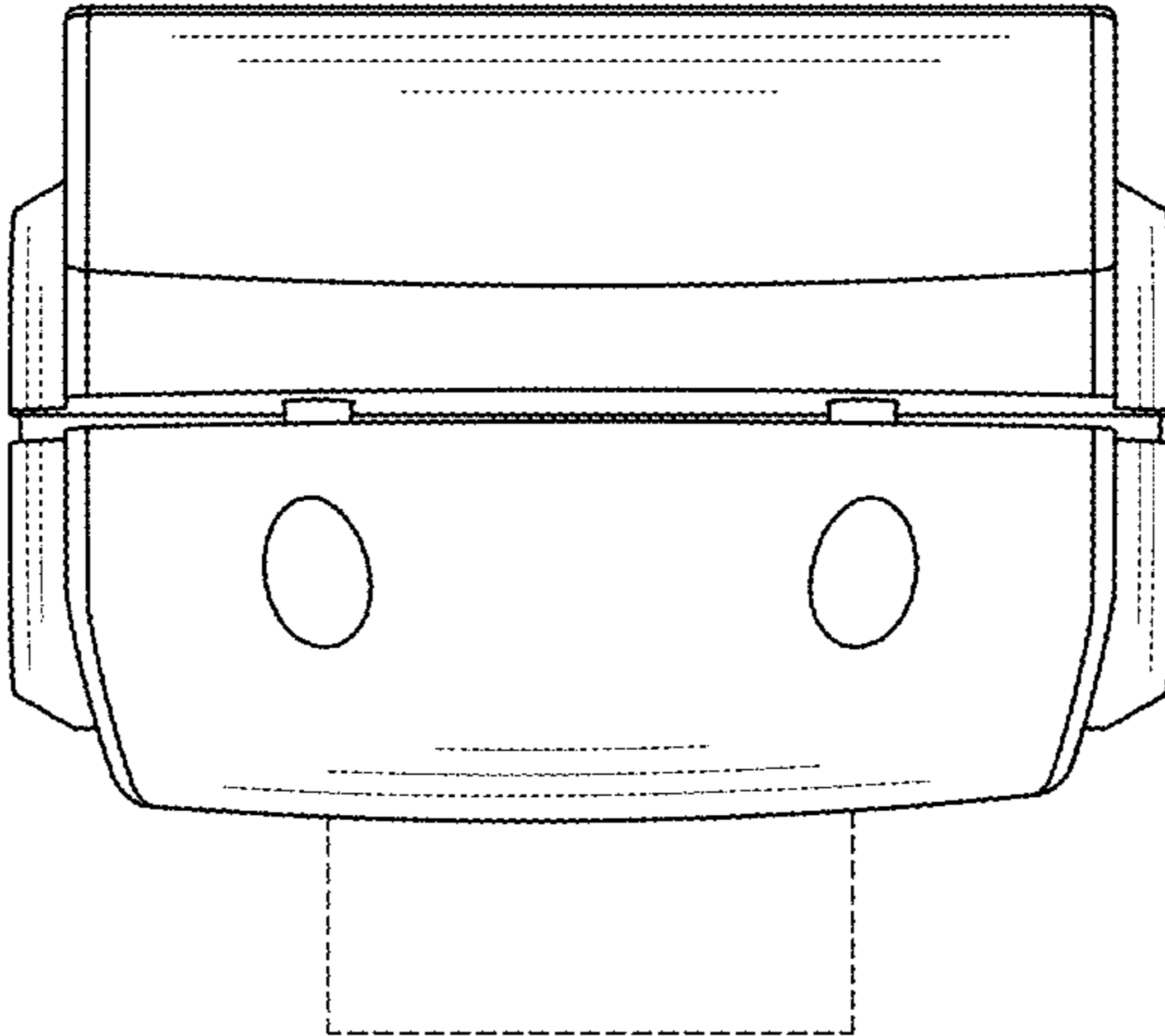


FIG.2

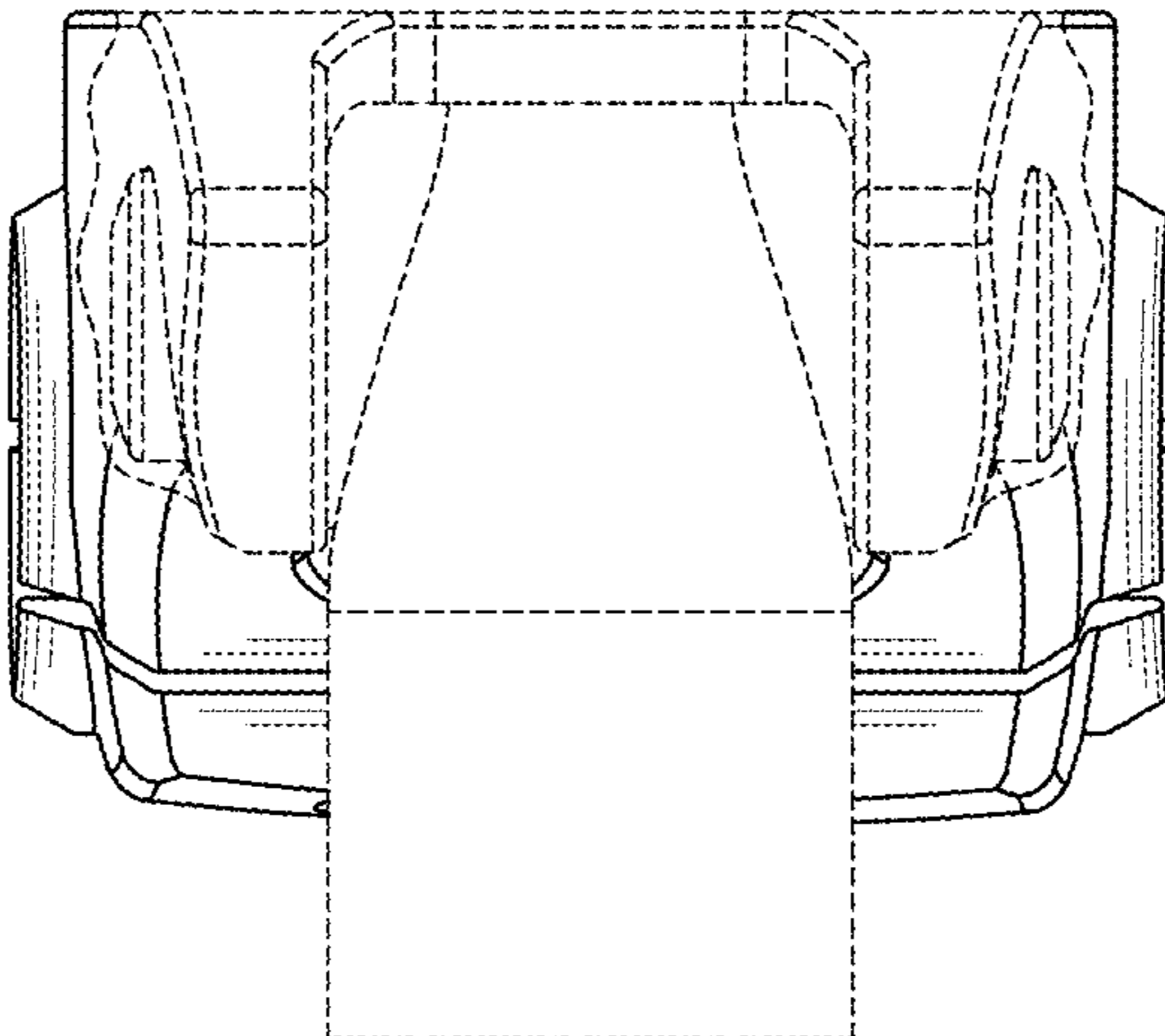


FIG.3

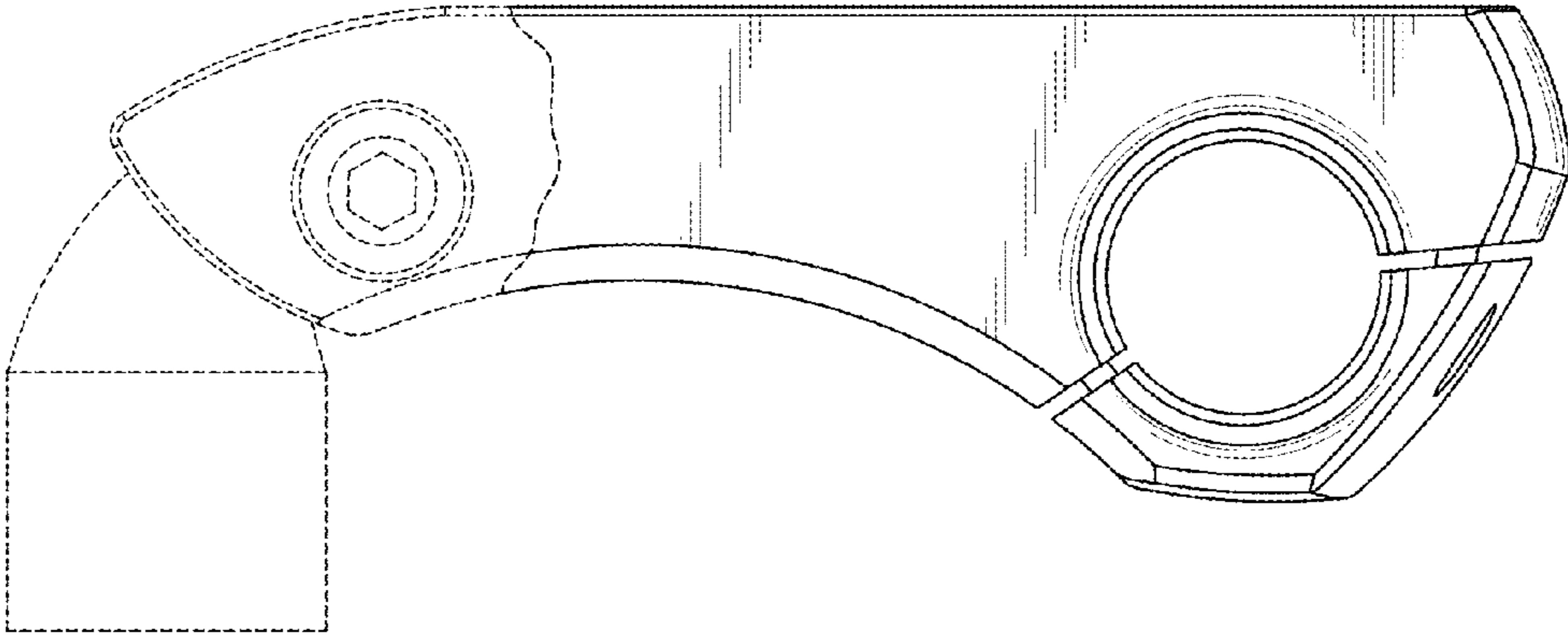


FIG.4

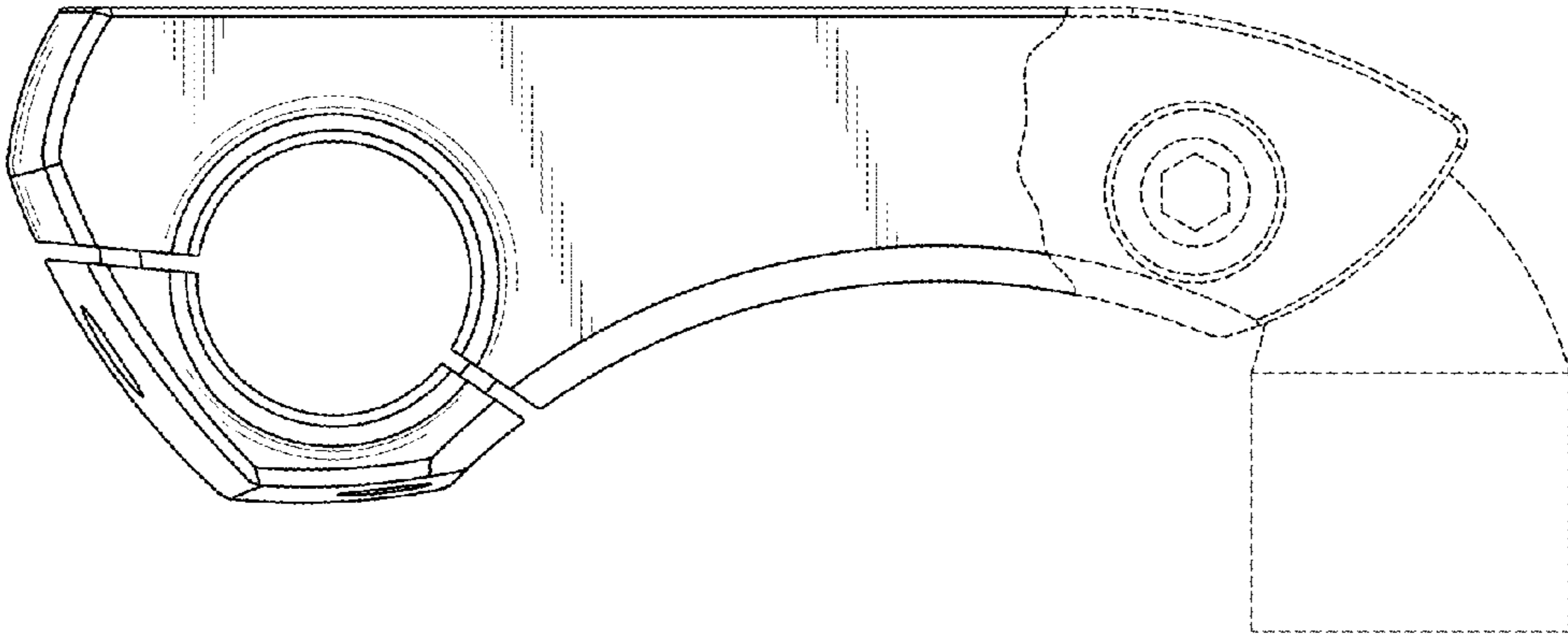


FIG.5



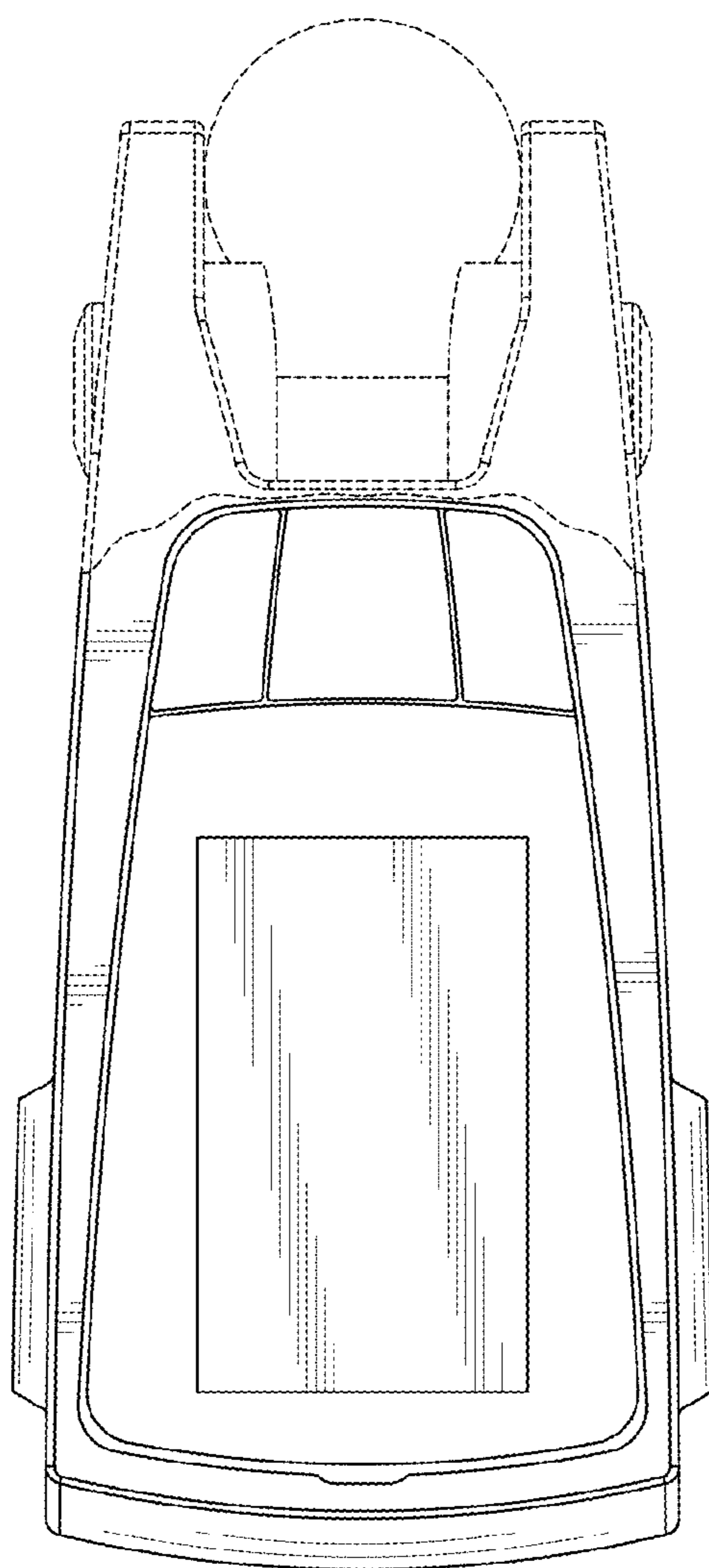


FIG.6

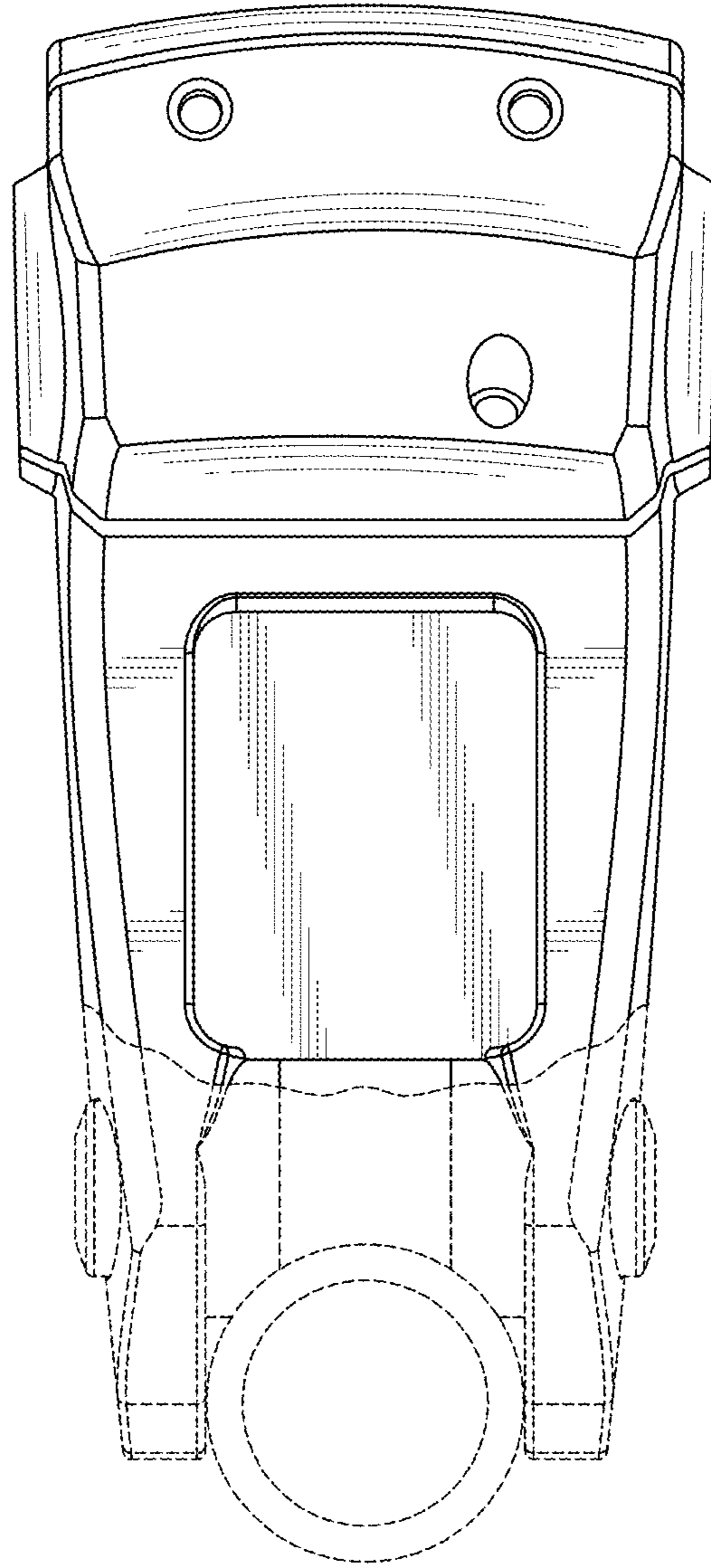


FIG.7

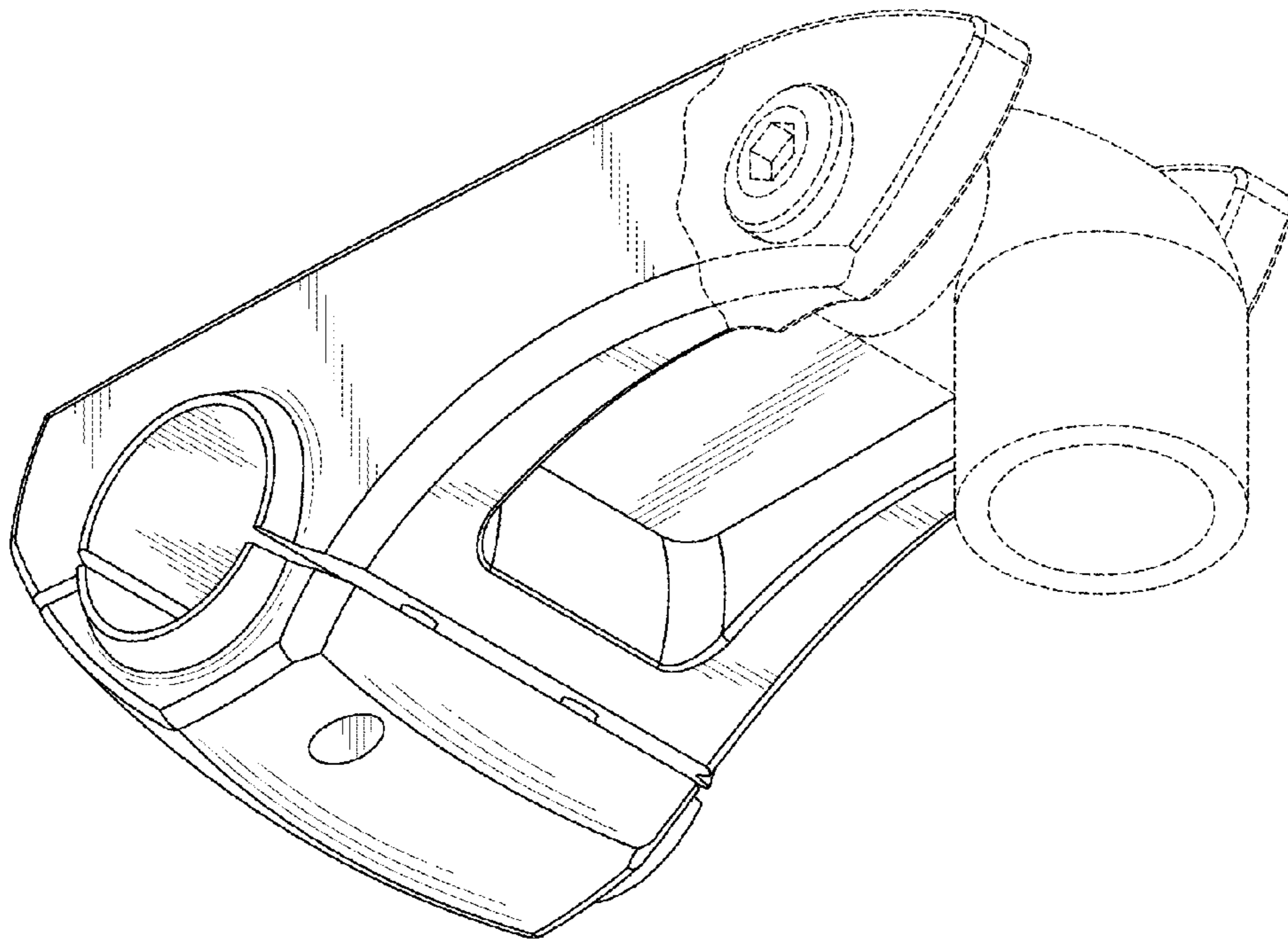


FIG.8