



US00D753024S

(12) **United States Design Patent**
Futamata et al.

(10) **Patent No.:** **US D753,024 S**
(45) **Date of Patent:** **** Apr. 5, 2016**

(54) **MOTORCYCLE**

(71) Applicant: **HONDA MOTOR CO., LTD.**, Tokyo
(JP)

(72) Inventors: **Takeshi Futamata**, Wako (JP); **Takashi Watanabe**, Wako (JP)

(73) Assignee: **HONDA MOTOR CO., LTD.**, Tokyo
(JP)

(**) Term: **14 Years**

(21) Appl. No.: **29/510,620**

(22) Filed: **Dec. 1, 2014**

(30) **Foreign Application Priority Data**

Jun. 2, 2014 (JP) 2014-011853

(51) **LOC (10) Cl.** **12-11**

(52) **U.S. Cl.**
USPC **D12/110**

(58) **Field of Classification Search**
USPC D12/109, 110, 111, 114, 117, 126, 184,
D12/186; D21/432, 458, 538; 180/210-217,
180/219, 220, 225, 229, 908; 280/103, 124,
280/152.1-152.3, 288.2, 288.4, 304.3, 770,
280/827, 828, 847, 848; 296/77.1, 78.1,
296/181.1, 187.01, 187.12, 192, 193.01,
296/193.04, 193.05, 193.09; 446/440
CPC B62D 37/00; B62D 57/00; B62K 9/00;
B62K 11/04; B62K 17/00; B62K 19/48;
B62M 7/12; F02B 61/02; A63H 17/21;
B62J 17/00; B62J 17/04; B62J 29/00
See application file for complete search history.

(56) **References Cited**

U.S. PATENT DOCUMENTS

D649,914 S * 12/2011 Marasco D12/110
D649,915 S * 12/2011 Aiello D12/110
D652,769 S * 1/2012 Kudo D12/110
D657,290 S * 4/2012 Tako D12/110

D677,601 S * 3/2013 Yanagita D12/110
D689,404 S * 9/2013 Katagiri D12/110
D689,405 S * 9/2013 Tsukui D12/110
D690,236 S * 9/2013 Futamata D12/110
D690,623 S * 10/2013 Tsukui D12/110
8,807,259 B2 * 8/2014 Tominaga B62K 11/04
180/219
8,827,024 B1 * 9/2014 Sumi B62M 9/16
180/227
8,967,315 B1 * 3/2015 Lescallett B62K 11/04
180/219
D733,007 S * 6/2015 Futamata D12/110
D733,008 S * 6/2015 Katagiri D12/110
D735,617 S * 8/2015 Katagiri D12/110
D737,179 S * 8/2015 Futamata D12/110
2012/0318598 A1 * 12/2012 Fujiyama B60K 5/12
180/219
2015/0101875 A1 * 4/2015 Inayama B60K 13/02
180/225

* cited by examiner

Primary Examiner — Philip S Hyder

Assistant Examiner — Darlington Ly

(74) *Attorney, Agent, or Firm* — Birch, Stewart, Kolasch & Birch, LLP

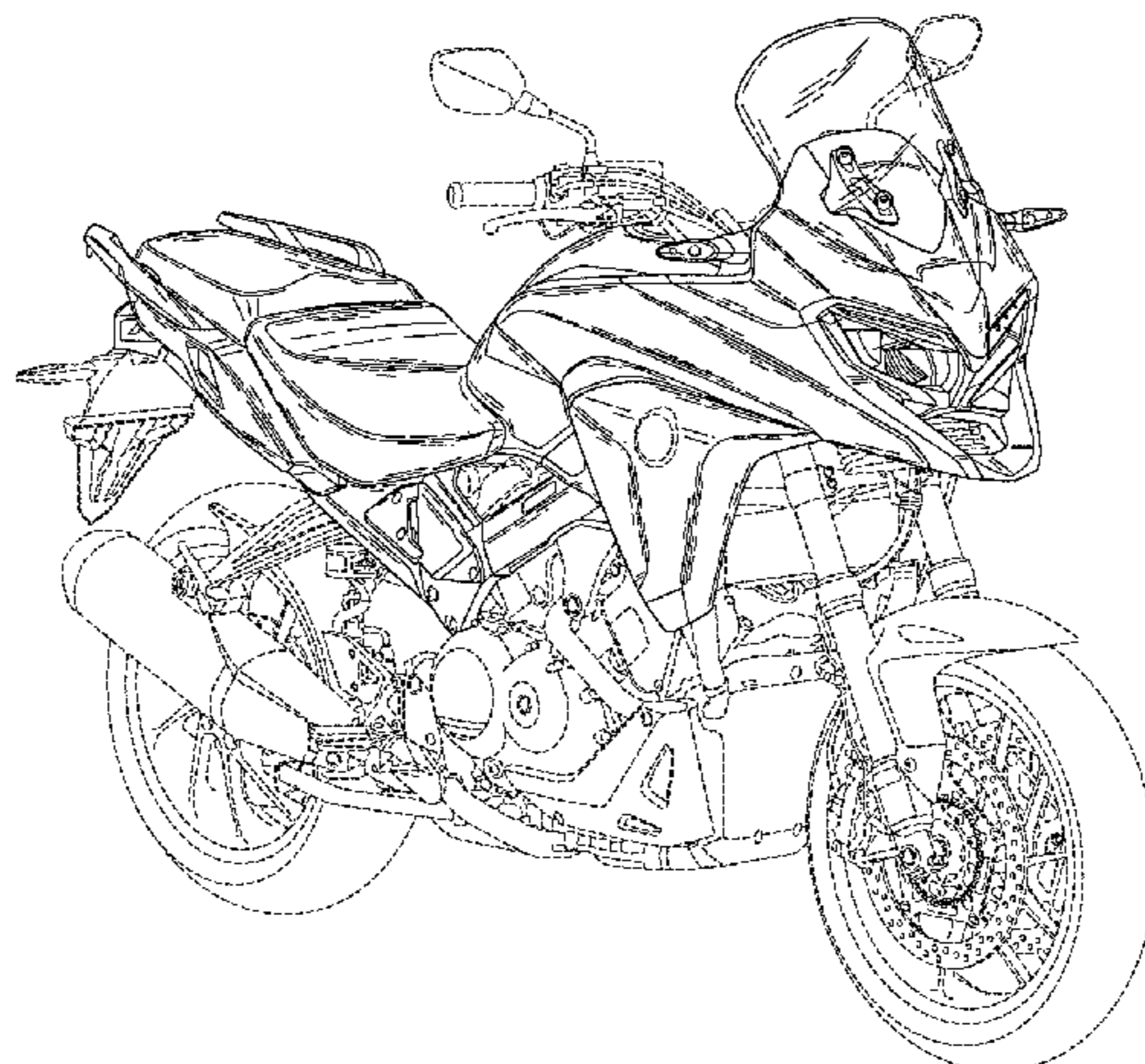
(57) **CLAIM**

The ornamental design for a motorcycle, as shown and described.

DESCRIPTION

FIG. 1 is a front right side perspective view of a motorcycle showing our new design;
FIG. 2 is a rear left side perspective view thereof;
FIG. 3 is a right side elevational view thereof;
FIG. 4 is a left side elevational thereof;
FIG. 5 is a front elevational view thereof;
FIG. 6 is a rear elevational view thereof;
FIG. 7 is a top plan view thereof;
FIG. 8 is a bottom view thereof;
FIG. 9 is a front left side perspective view thereof; and,
FIG. 10 is a rear right side perspective view thereof.
The broken lines in the drawings illustrate portions of the motorcycle that forms no part of the claimed design.

1 Claim, 10 Drawing Sheets



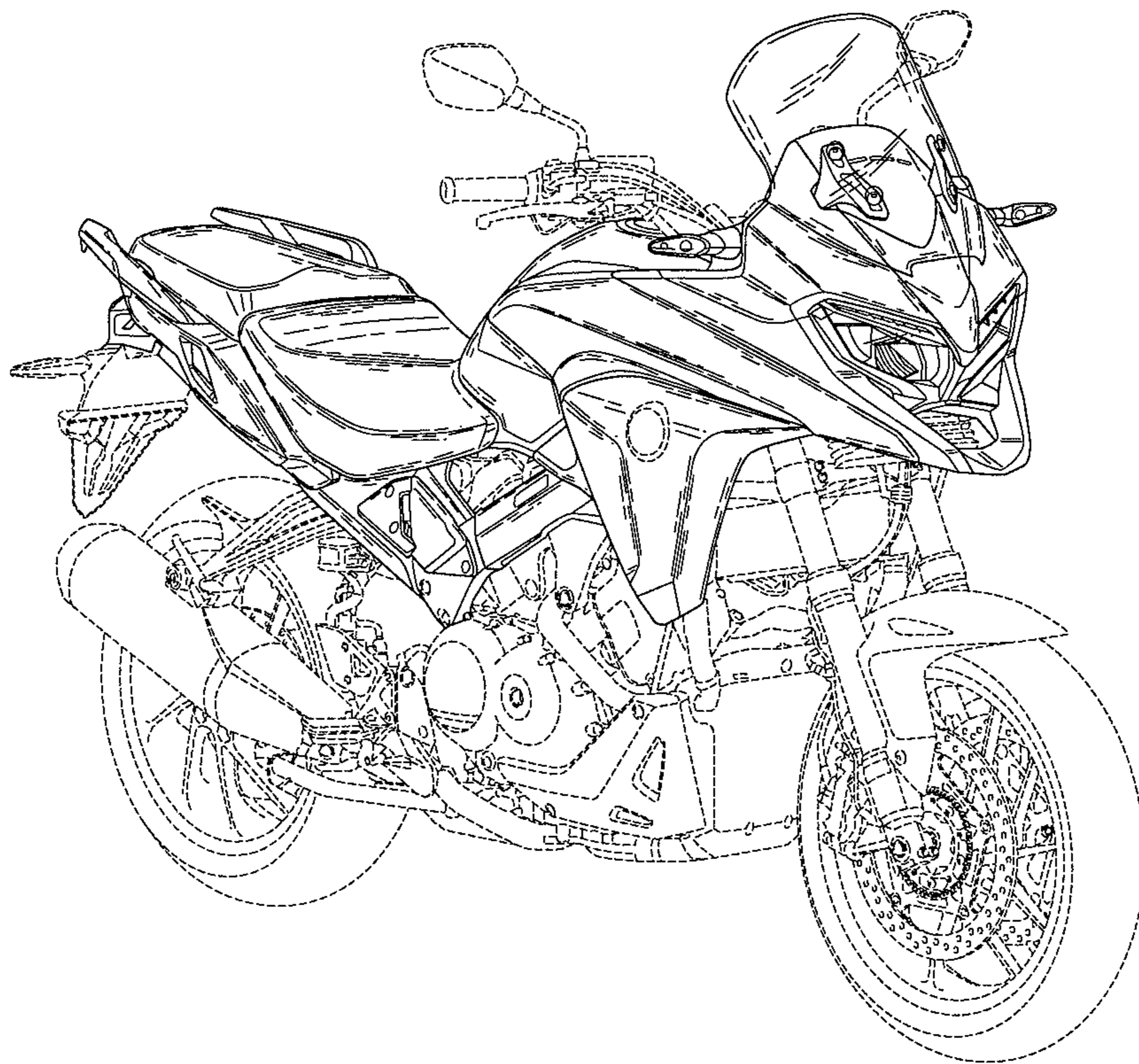


FIG.1

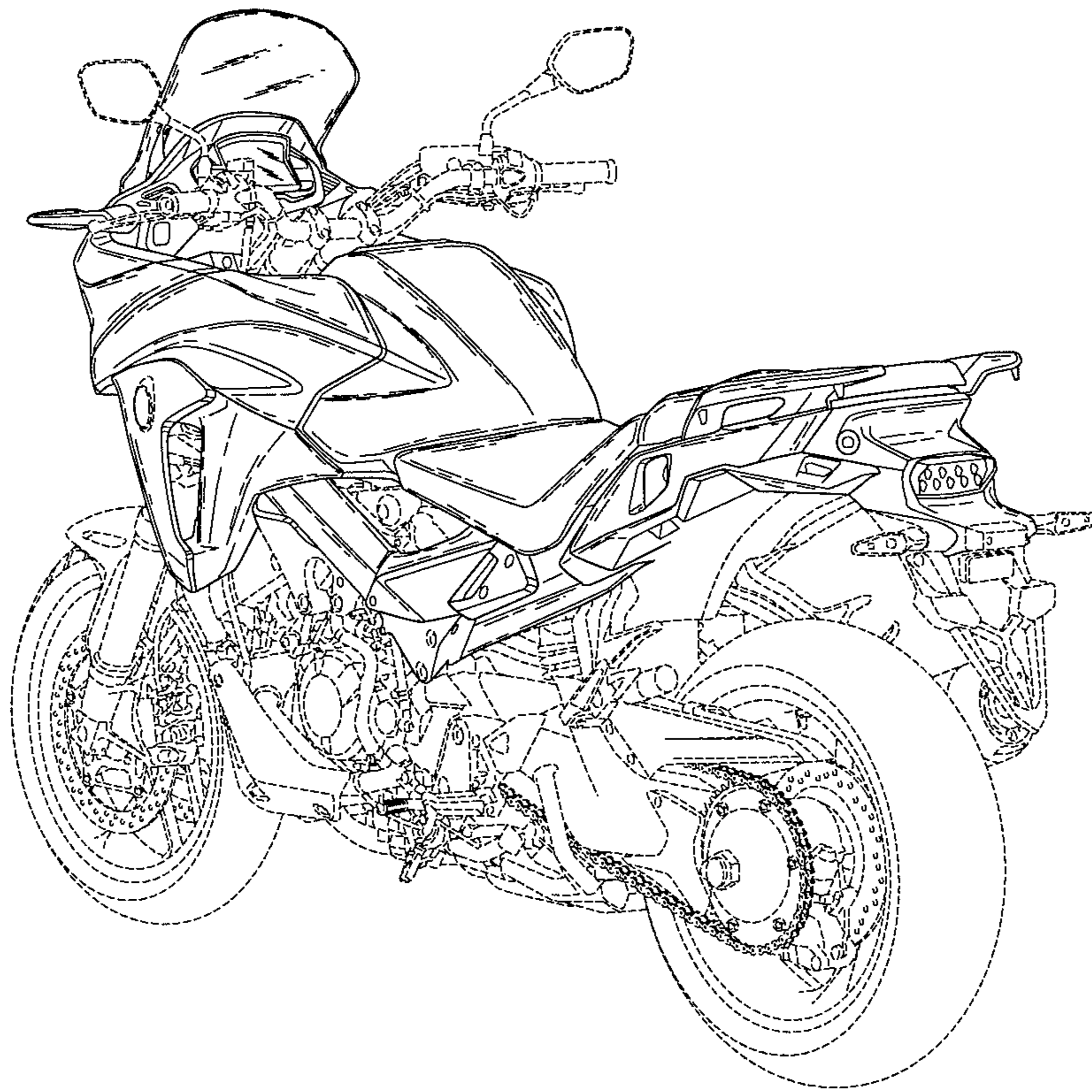


FIG.2

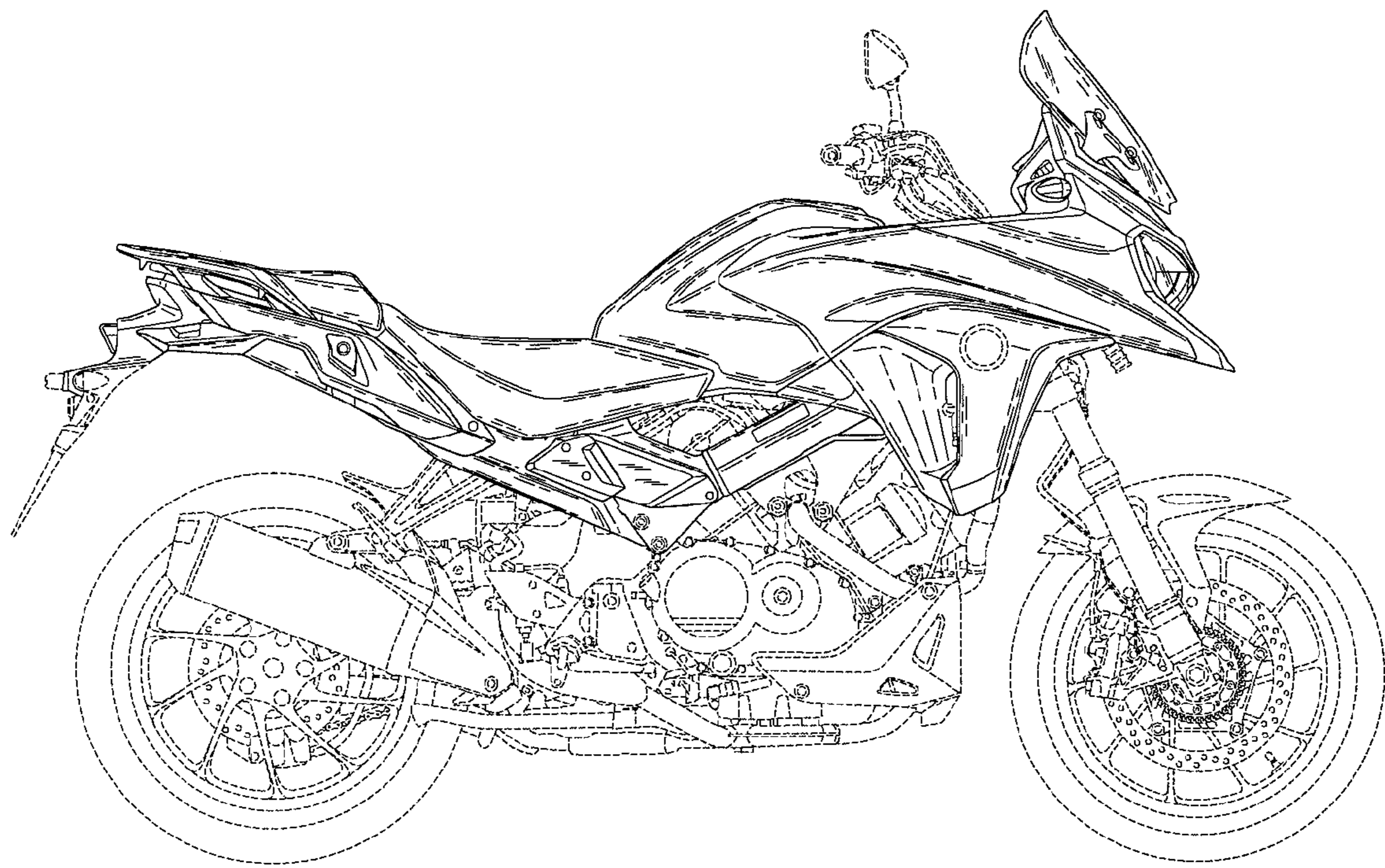


FIG.3

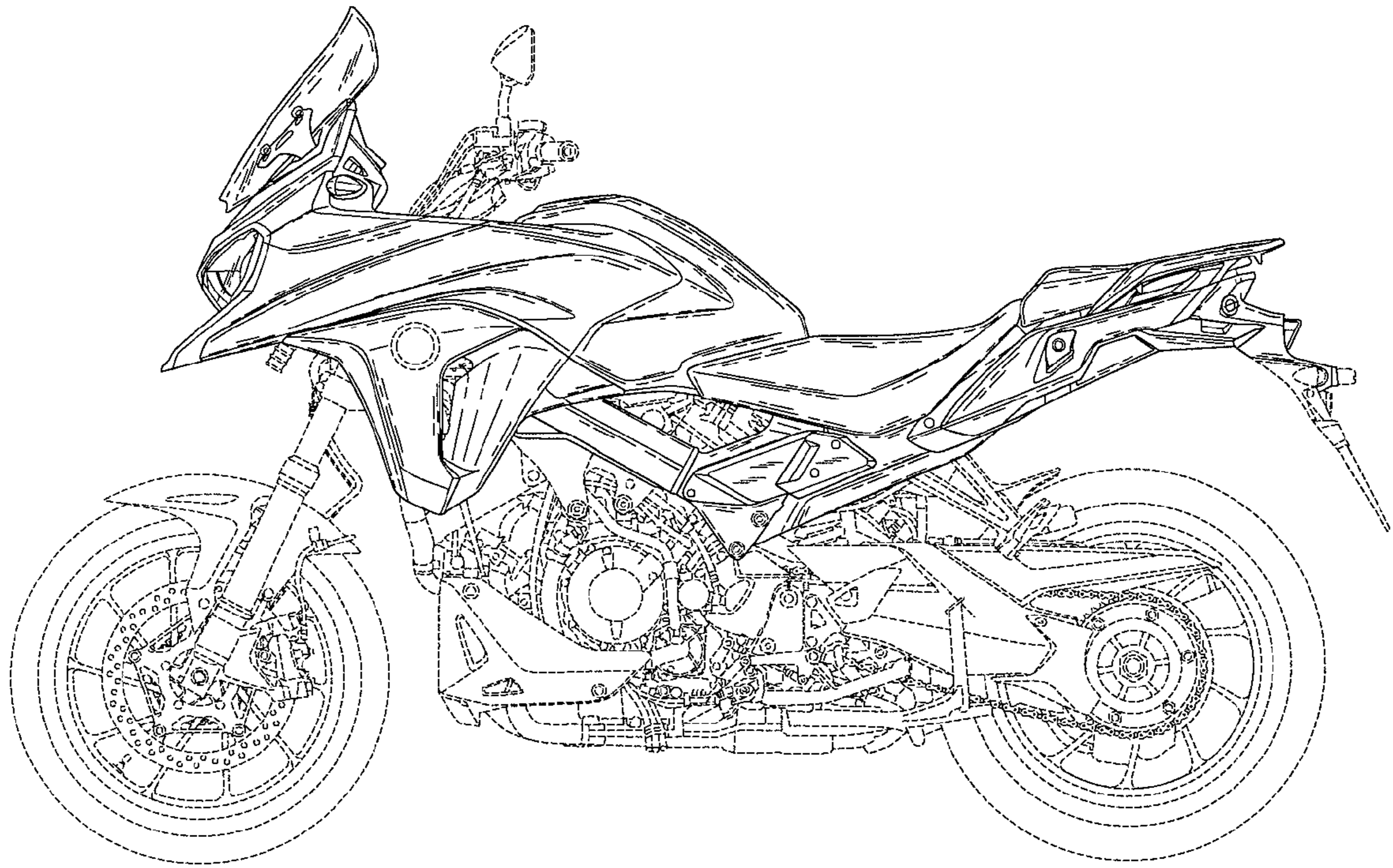


FIG.4

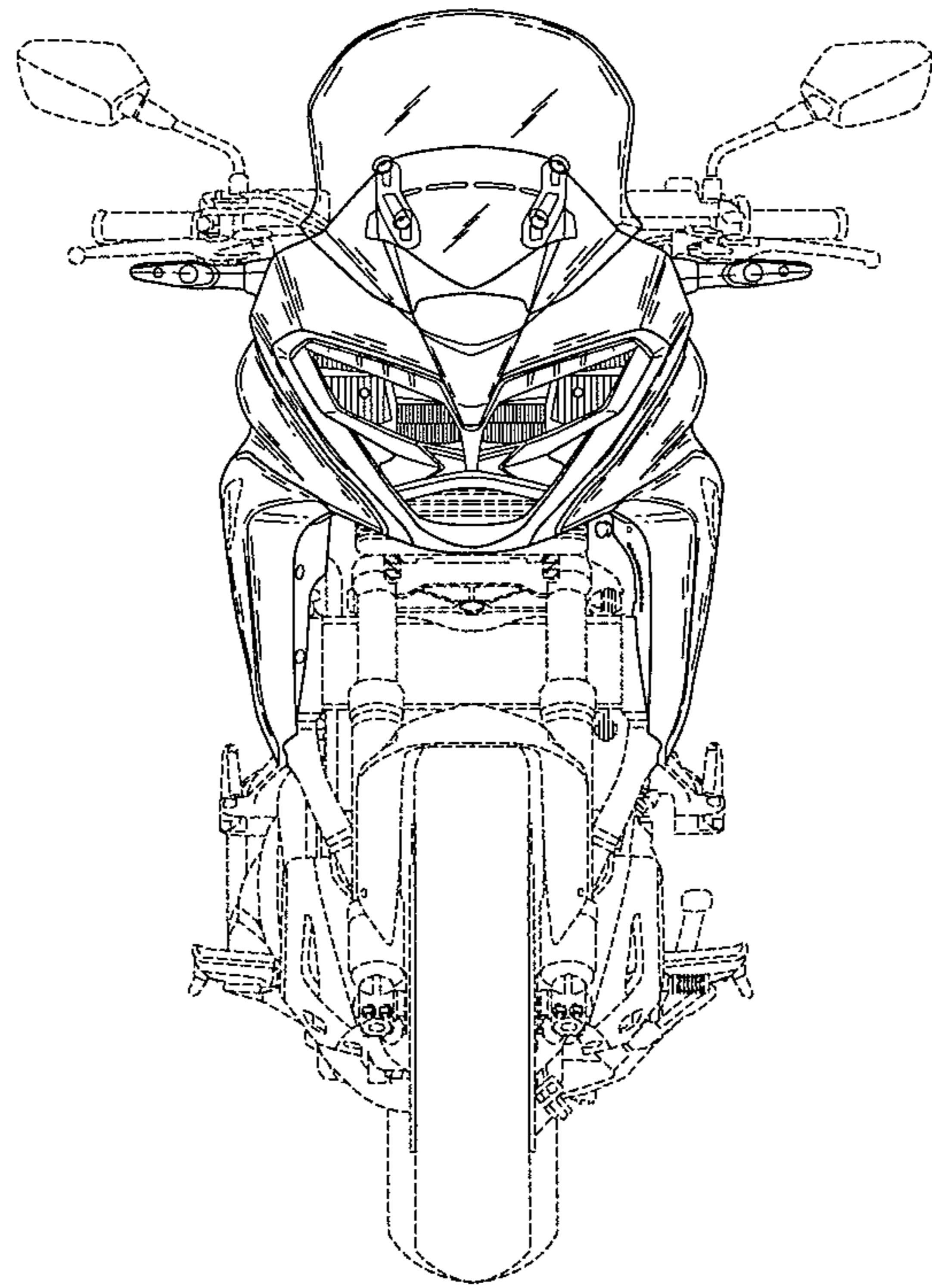


FIG.5

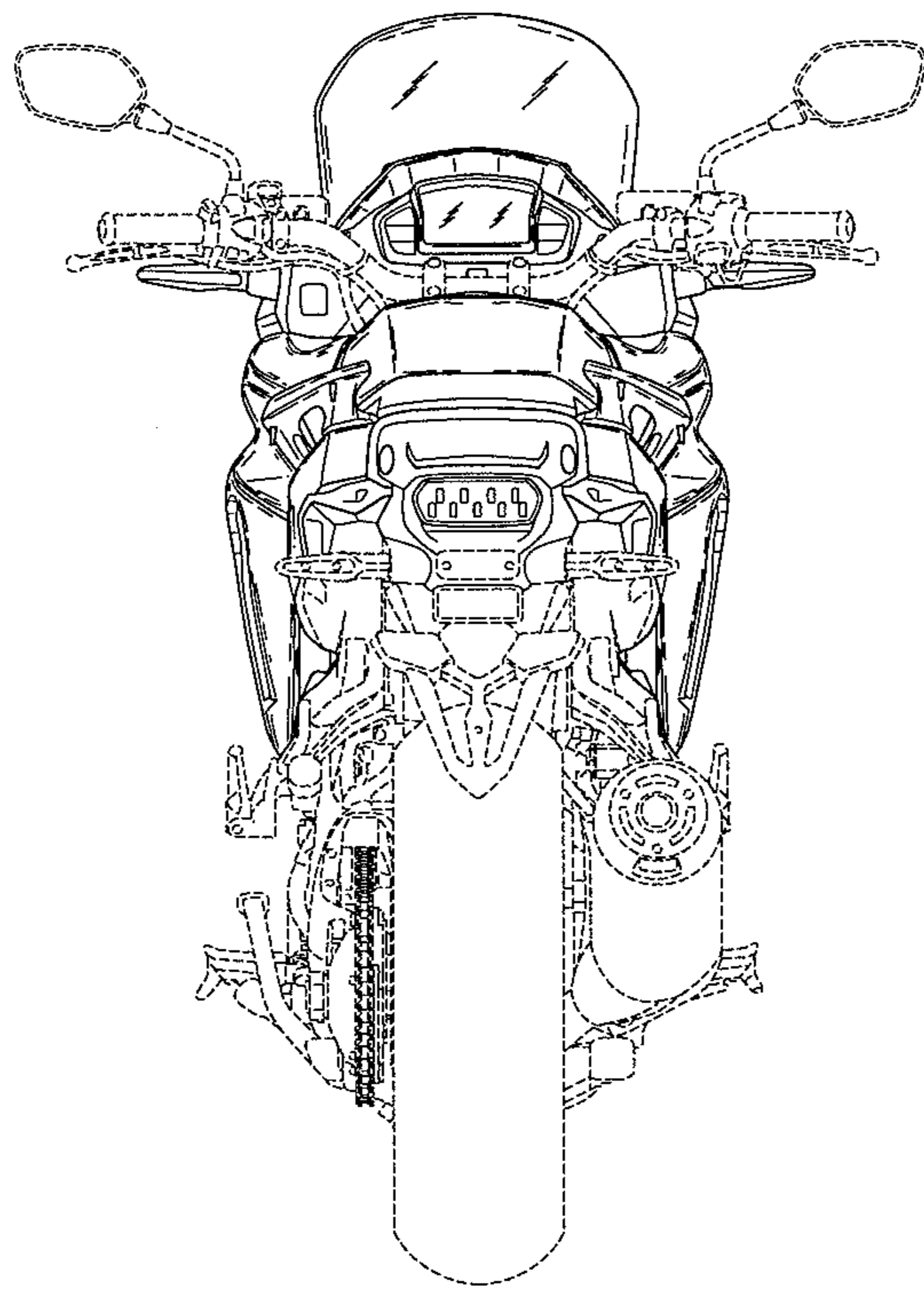


FIG.6

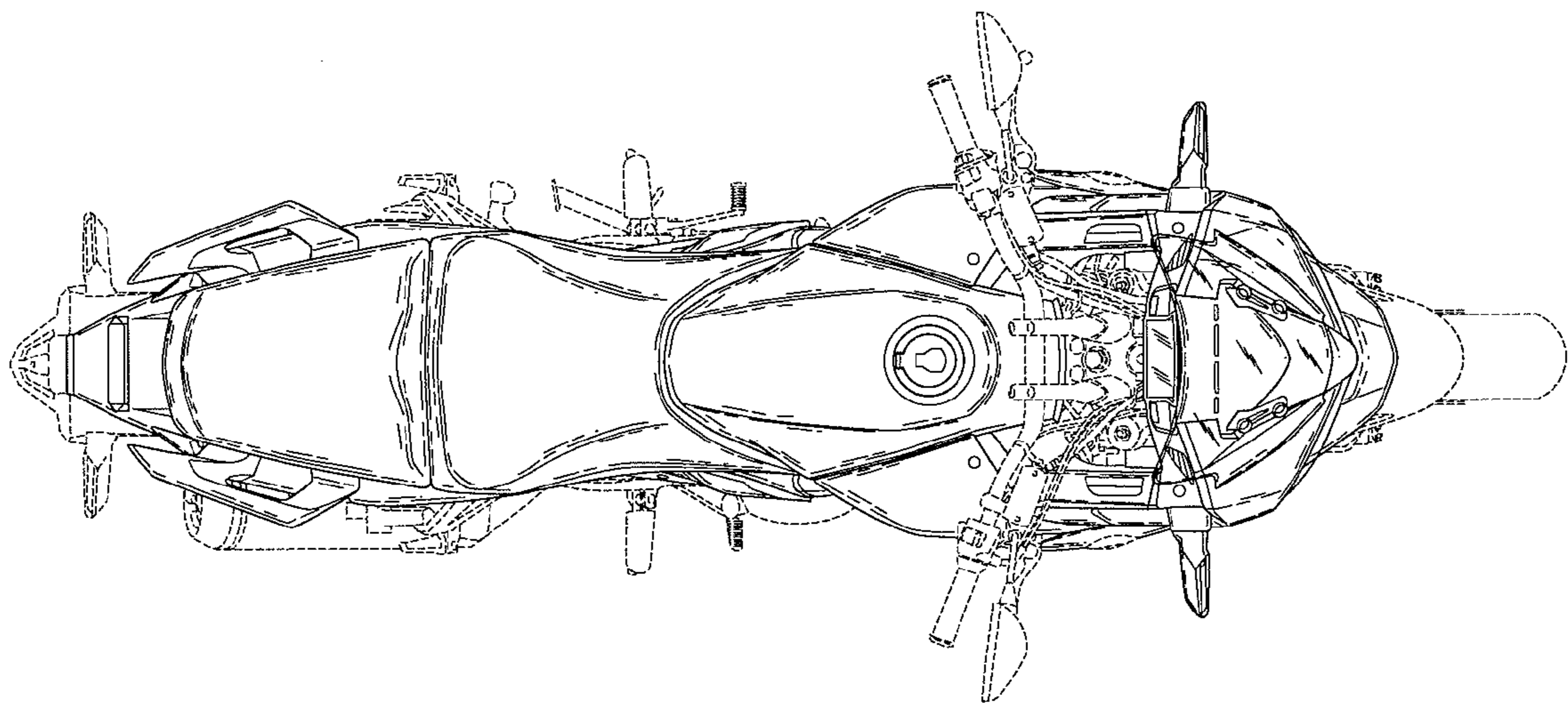


FIG.7

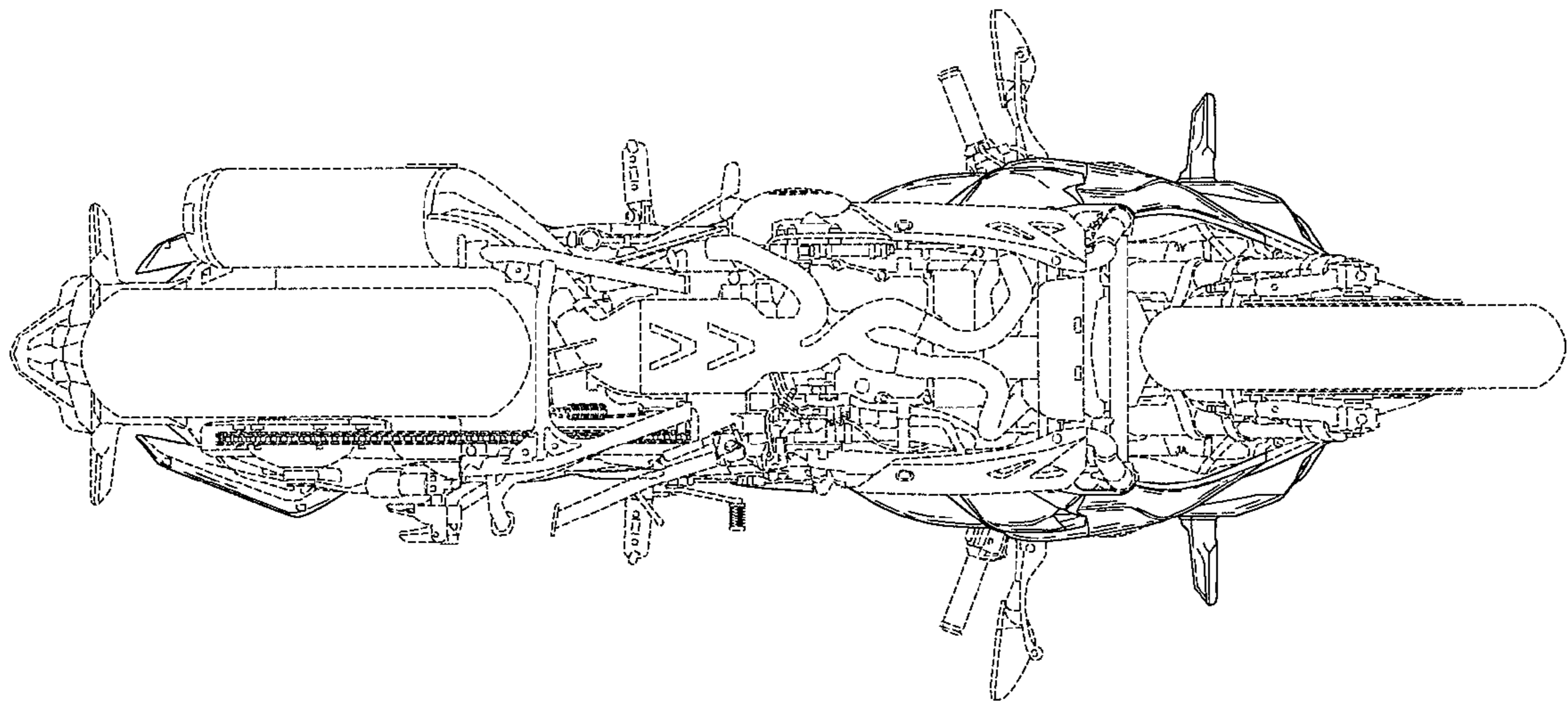


FIG.8

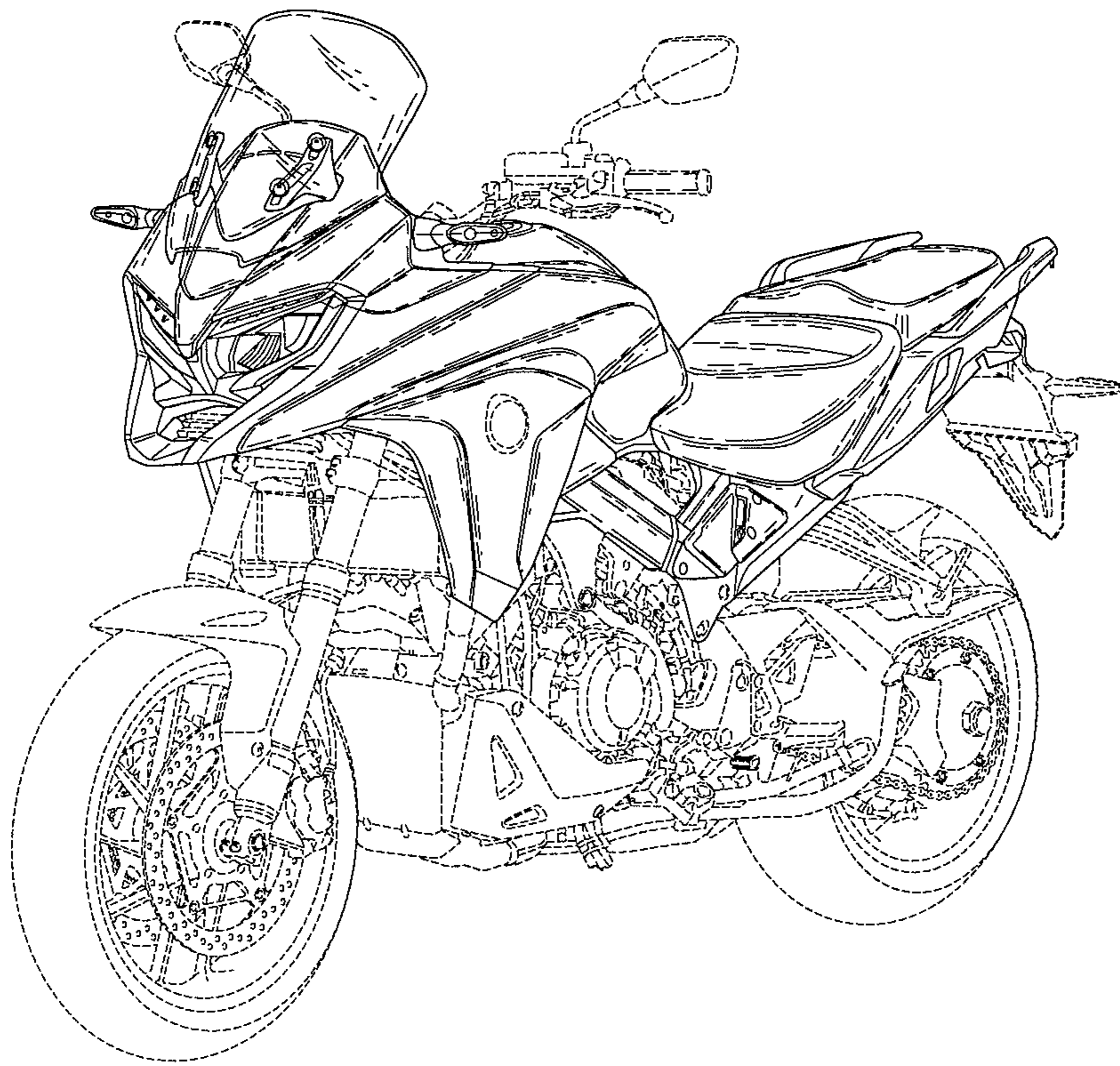


FIG.9

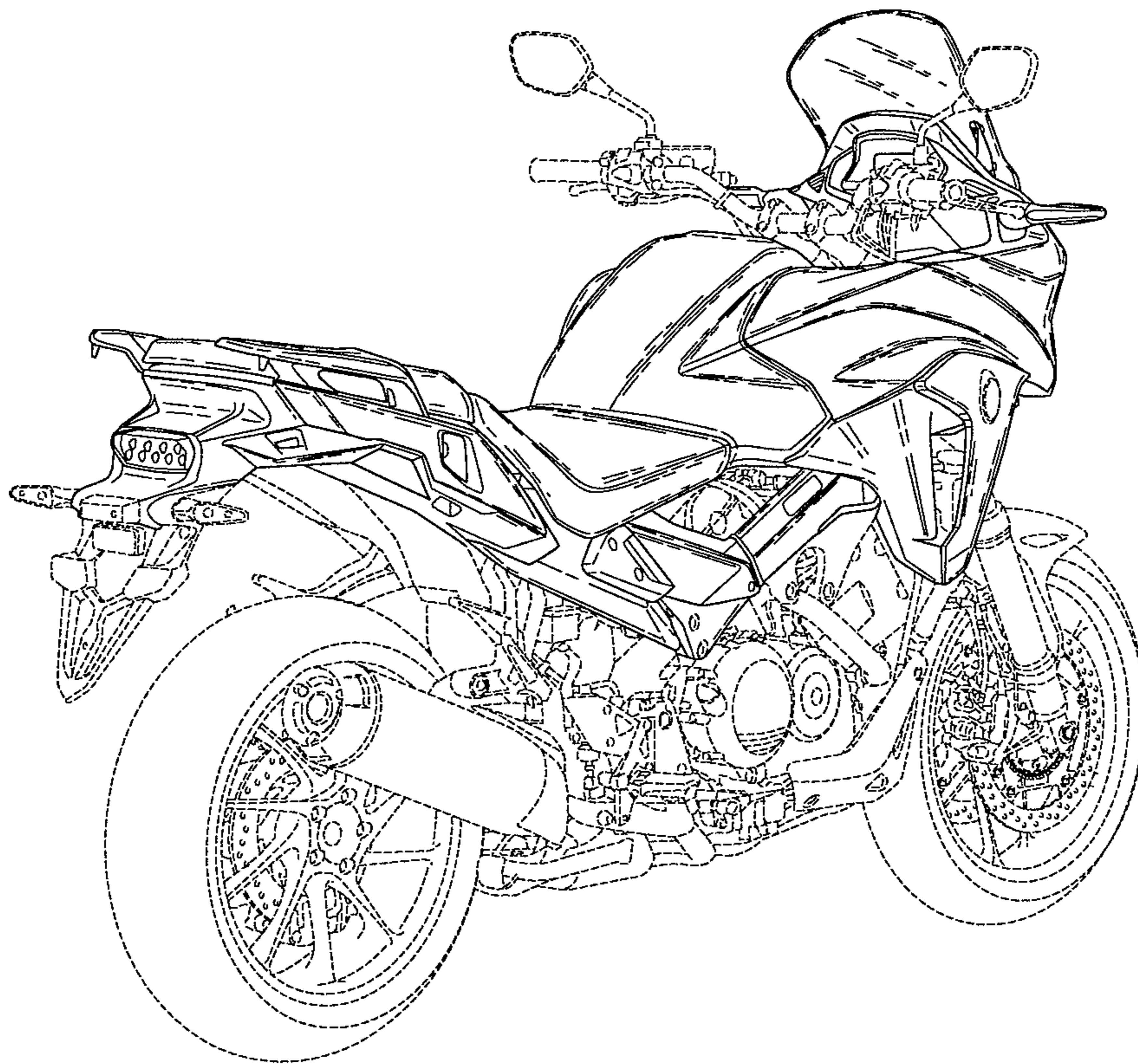


FIG. 10