



US00D753021S

(12) **United States Design Patent**
Allen

(10) **Patent No.:** **US D753,021 S**

(45) **Date of Patent:** **** Apr. 5, 2016**

(54) **GOLF CART**

(71) Applicant: **Christian Allen**, San Rafael, CA (US)

(72) Inventor: **Christian Allen**, San Rafael, CA (US)

(**) Term: **14 Years**

(21) Appl. No.: **29/450,236**

(22) Filed: **Mar. 15, 2013**

(51) **LOC (10) Cl.** **12-02**

(52) **U.S. Cl.**
USPC **D12/16**

(58) **Field of Classification Search**
USPC D12/16, 14, 1, 86, 90, 91, 92, 107, 85,
D12/88, 82, 87, 110, 114; D21/424, 433,
D21/435, 550; 224/274; 280/DIG. 5, DIG. 6;
180/233, 908, 89.1, 89.11, 6.5
CPC B60R 9/10; B62K 5/00; B62K 5/02;
B62K 2005/002; B62K 15/006; B62B
2202/404; B62M 1/10
See application file for complete search history.

(56) **References Cited**

U.S. PATENT DOCUMENTS

D226,079	S	*	1/1973	Gifford	D12/16
3,777,836	A	*	12/1973	Riza	180/213
D242,439	S	*	11/1976	Gervais	D12/16
D255,111	S	*	5/1980	Palmer	D12/110
D275,380	S	*	9/1984	Flowers, Sr.	D12/85
D301,128	S	*	5/1989	Simon	D12/15
4,852,898	A	*	8/1989	Donoghue et al.	280/216
D337,553	S	*	7/1993	Valentine et al.	D12/107

5,727,642	A	*	3/1998	Abbott	180/65.1
5,788,254	A	*	8/1998	Davis	280/282
D437,364	S	*	2/2001	Jang	D21/433
D464,289	S	*	10/2002	Jager	D12/1
D606,899	S	*	12/2009	Gal et al.	D12/1
D639,711	S	*	6/2011	Chartrand	D12/107
7,954,838	B1	*	6/2011	Long	280/288.4
D694,669	S	*	12/2013	Schwenk	D12/16
2006/0151224	A1	*	7/2006	Vasser	180/205
2010/0314179	A1	*	12/2010	Gibson	180/2.2

* cited by examiner

Primary Examiner — Eric Goodman

Assistant Examiner — Clese Moore, Jr.

(74) *Attorney, Agent, or Firm* — Jay P. Hendrickson

(57) **CLAIM**

The ornamental design for a golf cart, as shown.

DESCRIPTION

FIG. 1 is a front perspective view of a golf cart showing the design.

FIG. 2 is a front elevational view of the golf cart showing the design.

FIG. 3 is a right side elevational view of the golf cart showing the design.

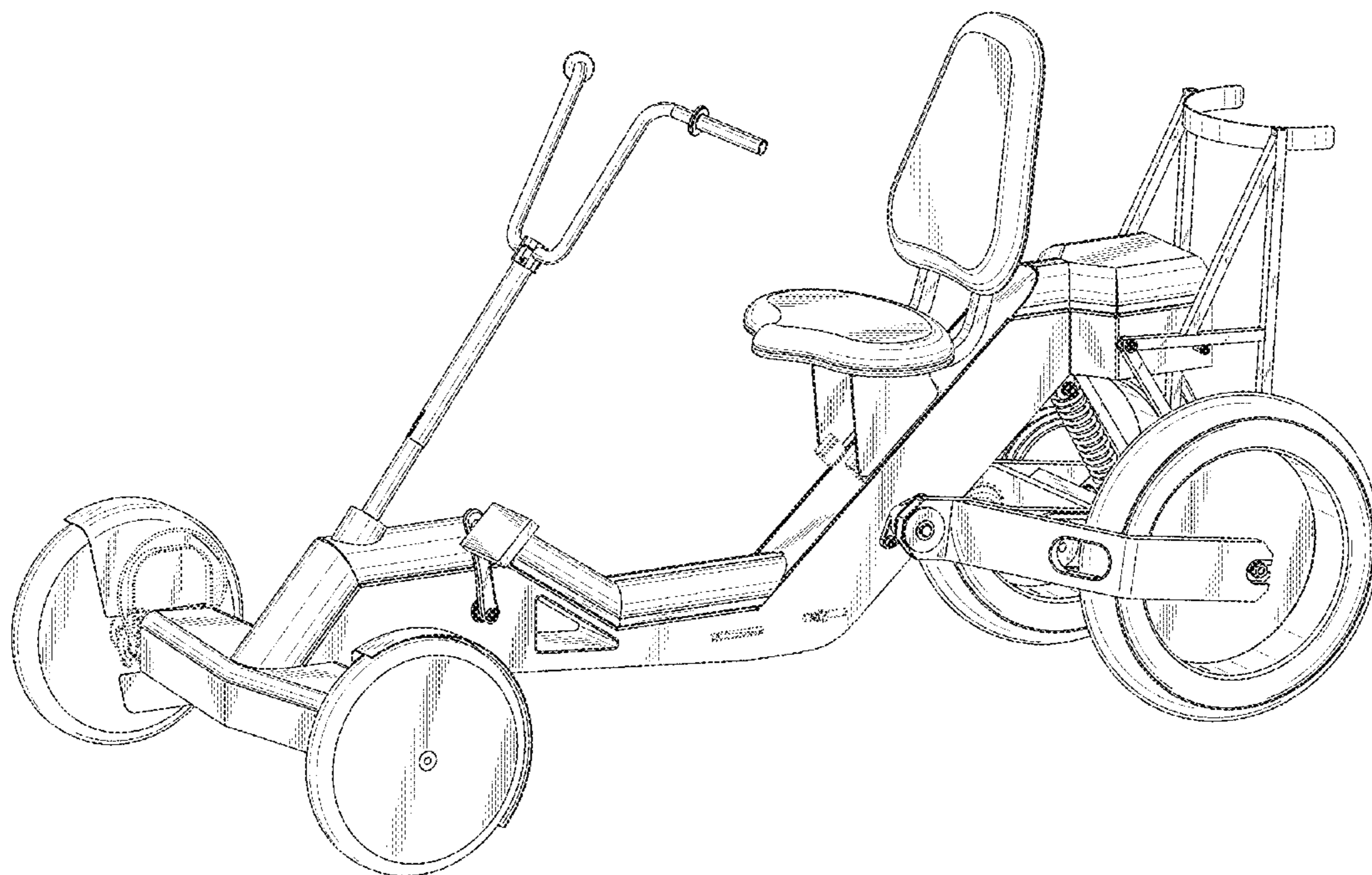
FIG. 4 is rear elevational view of the golf cart showing the design.

FIG. 5 is a left side elevational view of the golf cart showing the design.

FIG. 6 is a top plan view of the golf cart showing the design; and,

FIG. 7 is a bottom plan view of the golf cart showing the design.

1 Claim, 6 Drawing Sheets



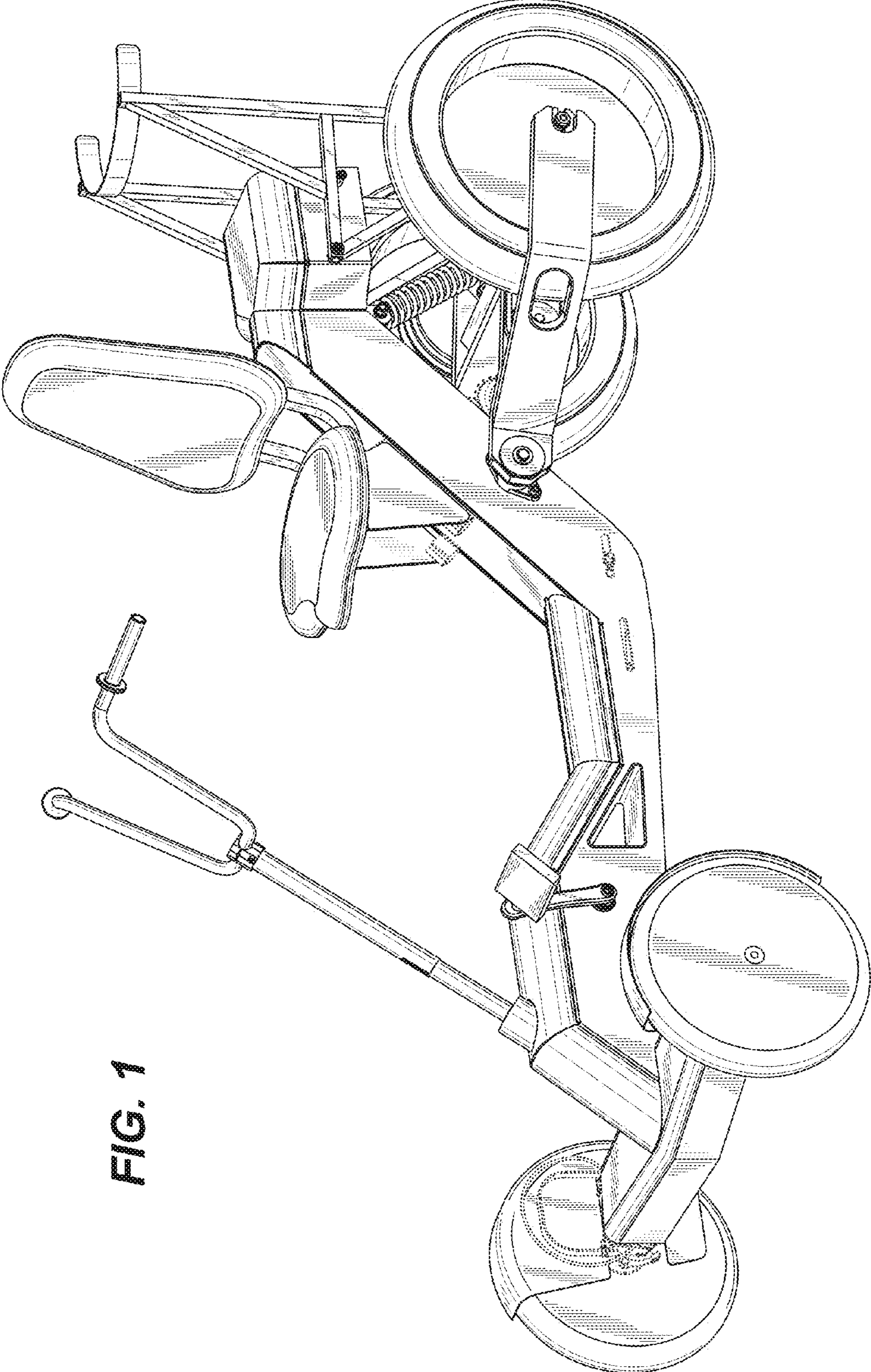


FIG. 1

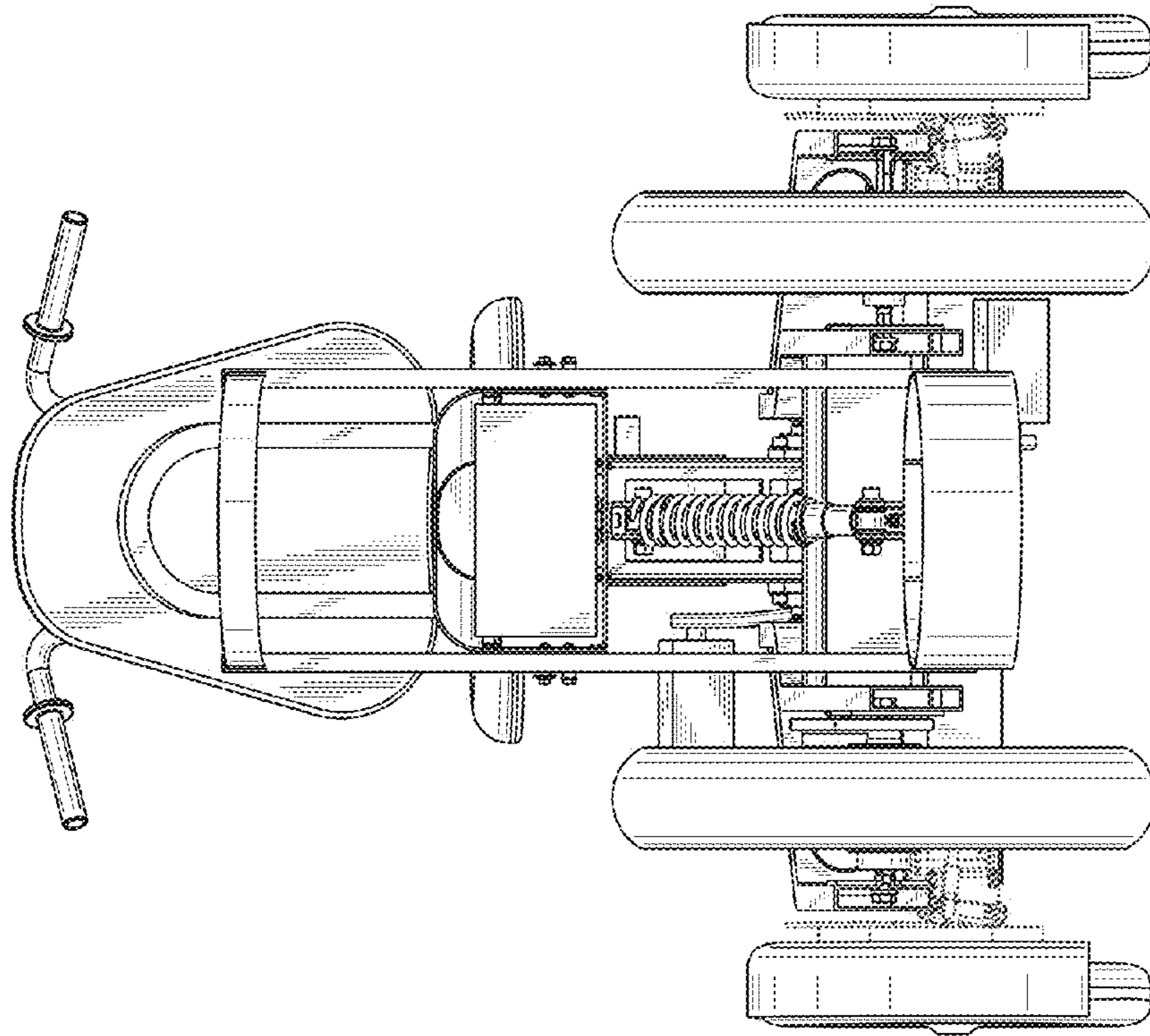


FIG. 4

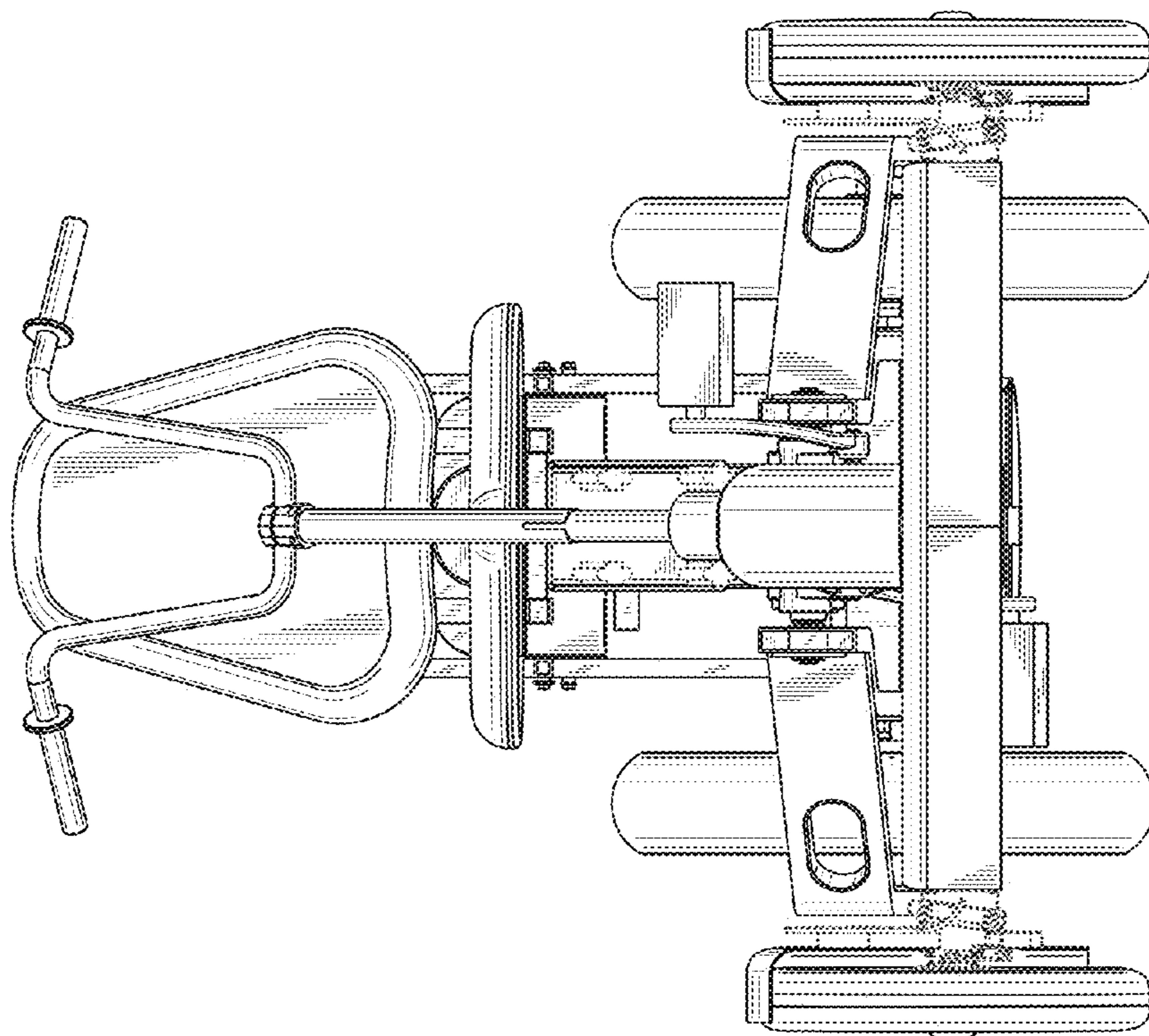


FIG. 2

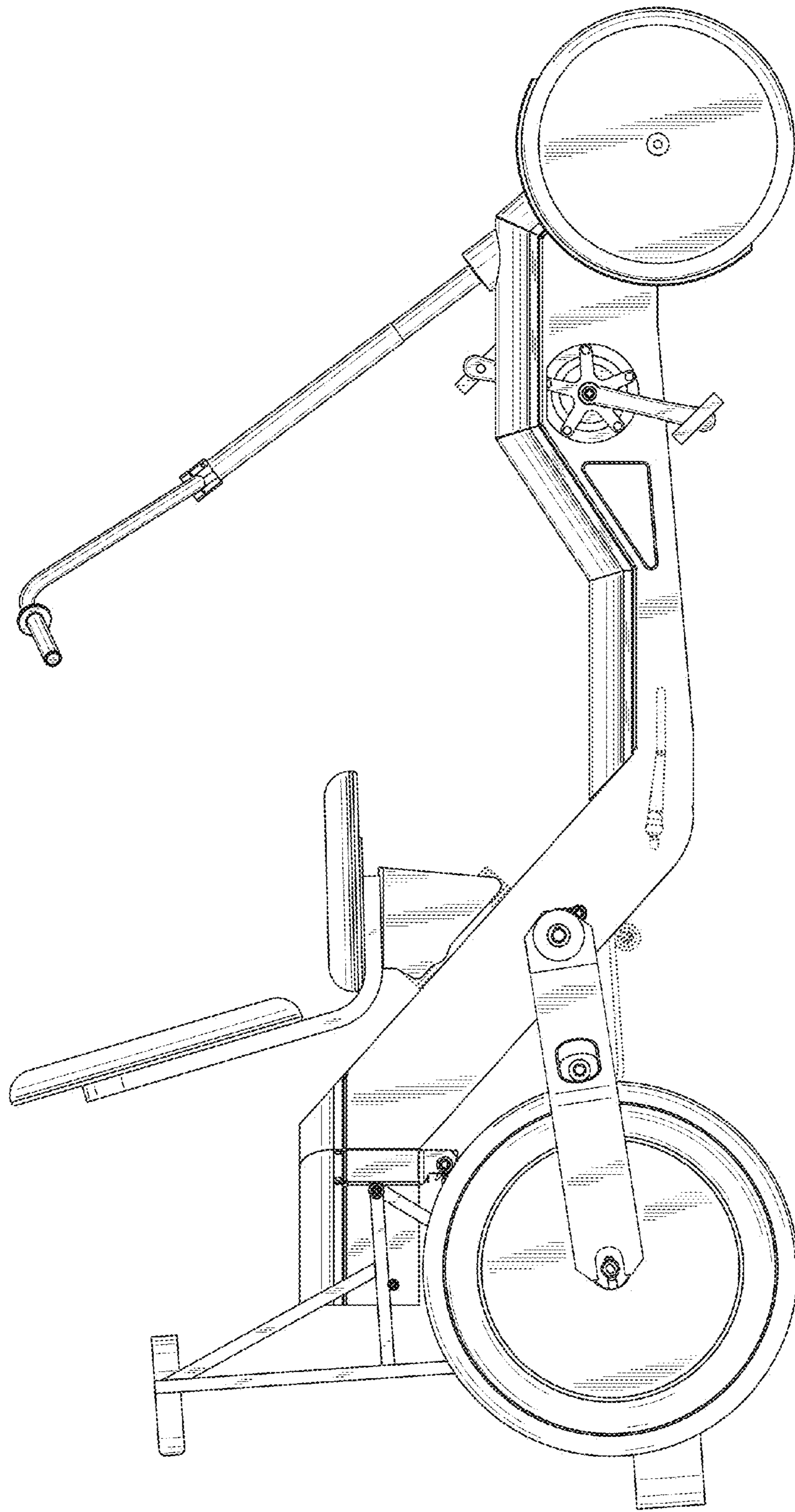


FIG. 3

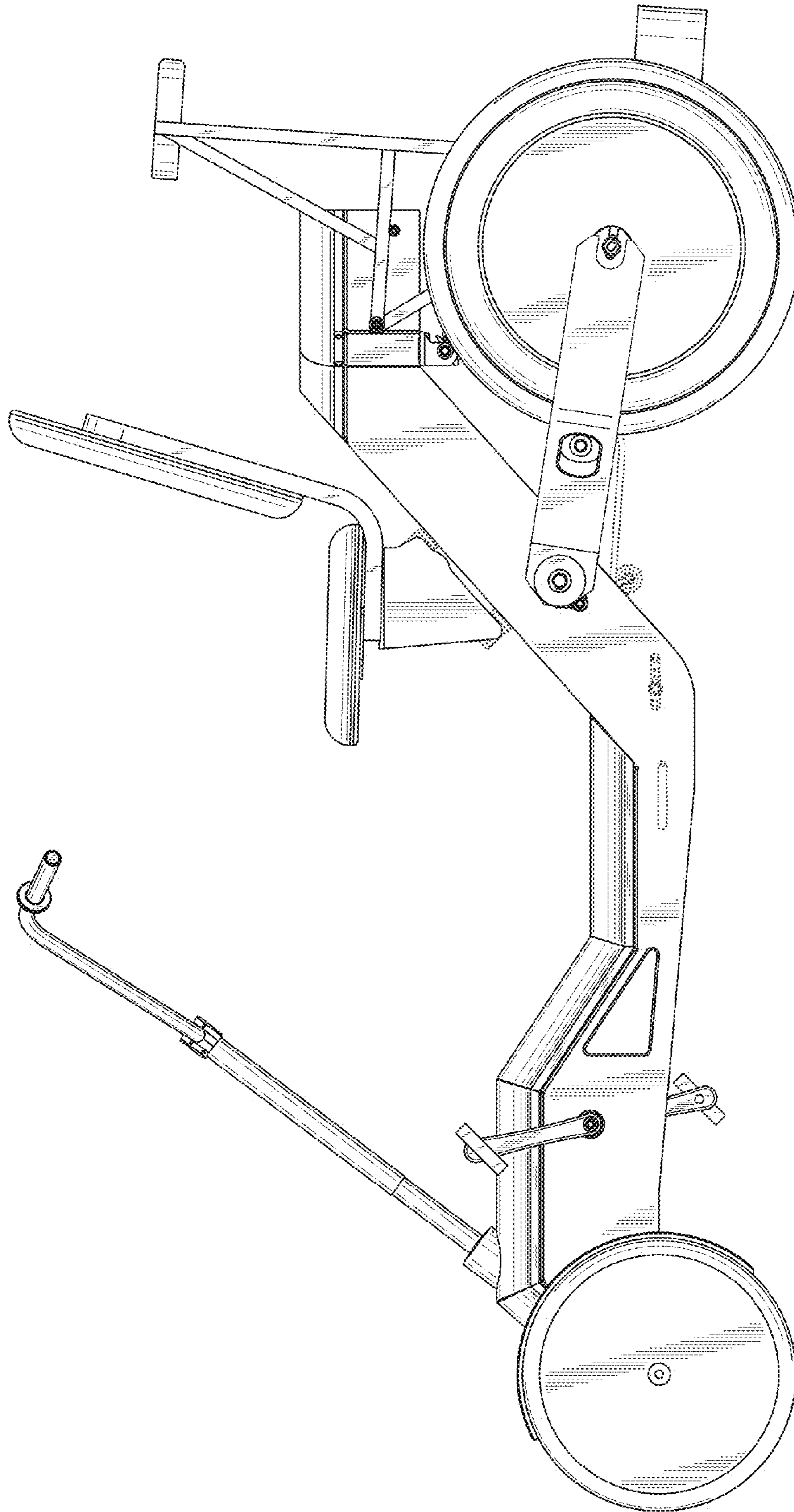


FIG. 5

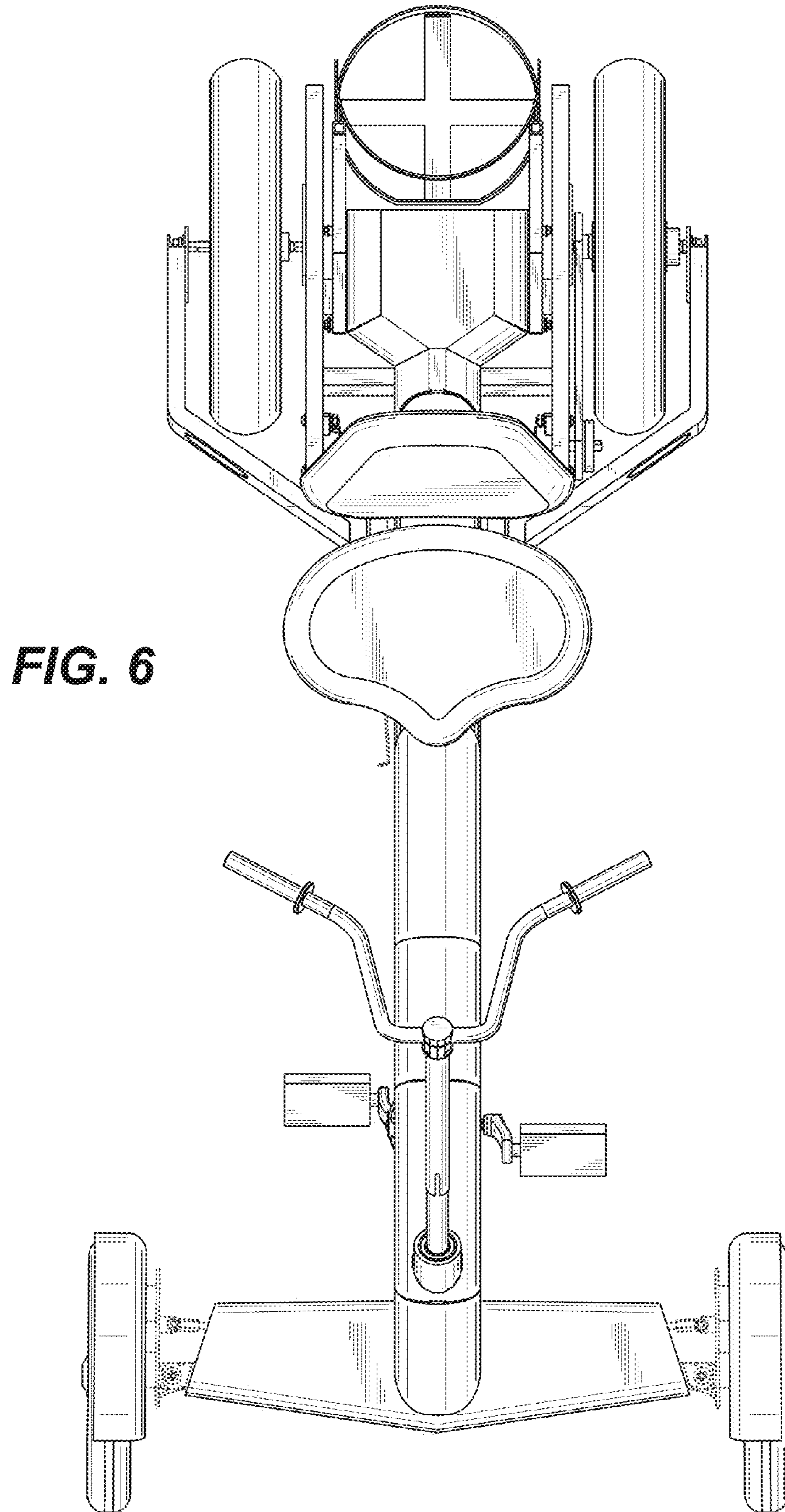


FIG. 7

