



US00D753019S

(12) **United States Design Patent**
Chan

(10) **Patent No.:** **US D753,019 S**

(45) **Date of Patent:** **** Apr. 5, 2016**

(54) **CONNECT BUCKLE**

D476,263 S * 6/2003 Walters D11/200
D519,056 S * 4/2006 Yoshiguchi D11/200
D735,074 S * 7/2015 Paik D11/200

(71) Applicant: **Duraflex Hong Kong Limited**, Hong Kong (HK)

* cited by examiner

(72) Inventor: **Yick Fai Chan**, Hong Kong (HK)

Primary Examiner — Ralf Seifert

(73) Assignee: **DURAFLEX HONG KONG LIMITED**, Hong Kong (HK)

(57) **CLAIM**

The ornamental design for a connect buckle, as shown and described.

(**) Term: **15 Years**

DESCRIPTION

(21) Appl. No.: **29/533,158**

FIG. 1 is a front elevational view of a connect buckle showing my new design;

(22) Filed: **Jul. 15, 2015**

FIG. 2 is a rear elevational view thereof;

(30) **Foreign Application Priority Data**

Jan. 16, 2015 (CN) 2015 3 0013793

FIG. 3 is a left side view thereof;

(51) **LOC (10) Cl.** **02-07**

FIG. 4 is a right side view thereof;

(52) **U.S. Cl.**

USPC **D11/200**

FIG. 5 is a top plan view thereof;

(58) **Field of Classification Search**

USPC D11/1-2, 200-201, 206-210, 214-218;
24/163 R, 169-171, 173, 177-179, 191,
24/194-195, 197, 200, 614-616, 625, 198,
24/630; D8/349, 395

FIG. 6 is a bottom plan view thereof;

CPC A44B 11/26; A44B 11/25

FIG. 7 is a perspective view thereof;

See application file for complete search history.

FIG. 8 is a front elevational view of a second embodiment of a connect buckle;

(56) **References Cited**

U.S. PATENT DOCUMENTS

1,764,175 A * 6/1930 Kerkhoff G09F 7/06
24/198

FIG. 9 is a rear elevational view of FIG. 8;

D134,936 S * 2/1943 Huff D11/214

FIG. 10 is a left side view of FIG. 8;

D282,696 S * 2/1986 Danniger D11/202

FIG. 11 is a right side view of FIG. 8;

FIG. 12 is a top plan view of FIG. 8;

FIG. 13 is a bottom plan view of FIG. 8;

FIG. 14 is a perspective view of FIG. 8;

FIG. 15 is a front elevational view of a third embodiment of a connect buckle;

FIG. 16 is a rear elevational view of FIG. 15;

FIG. 17 is a left side view of FIG. 15;

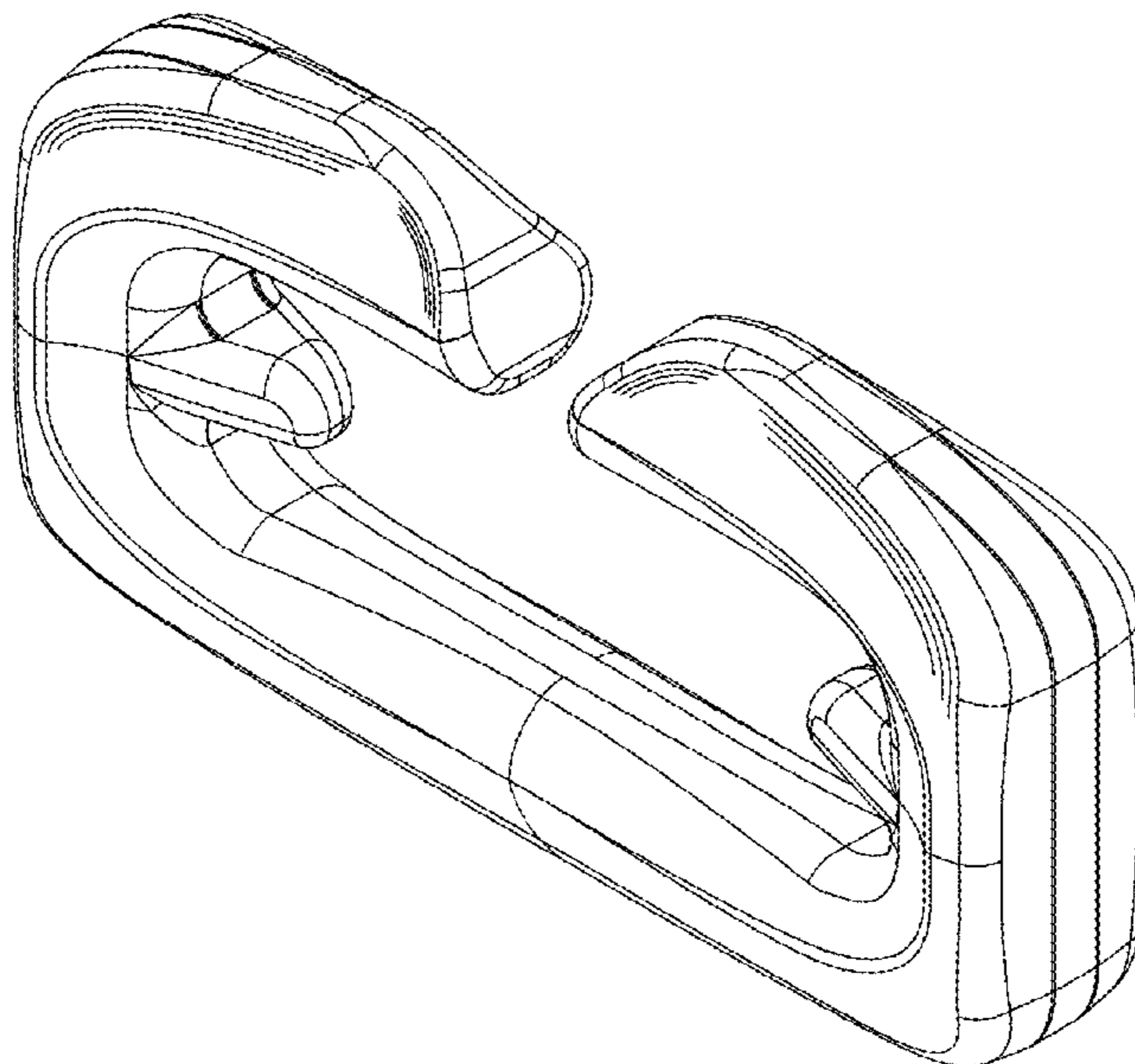
FIG. 18 is a right side view of FIG. 15;

FIG. 19 is a top plan view of FIG. 15;

FIG. 20 is a bottom plan view of FIG. 15; and,

FIG. 21 is a perspective view of FIG. 15.

1 Claim, 21 Drawing Sheets



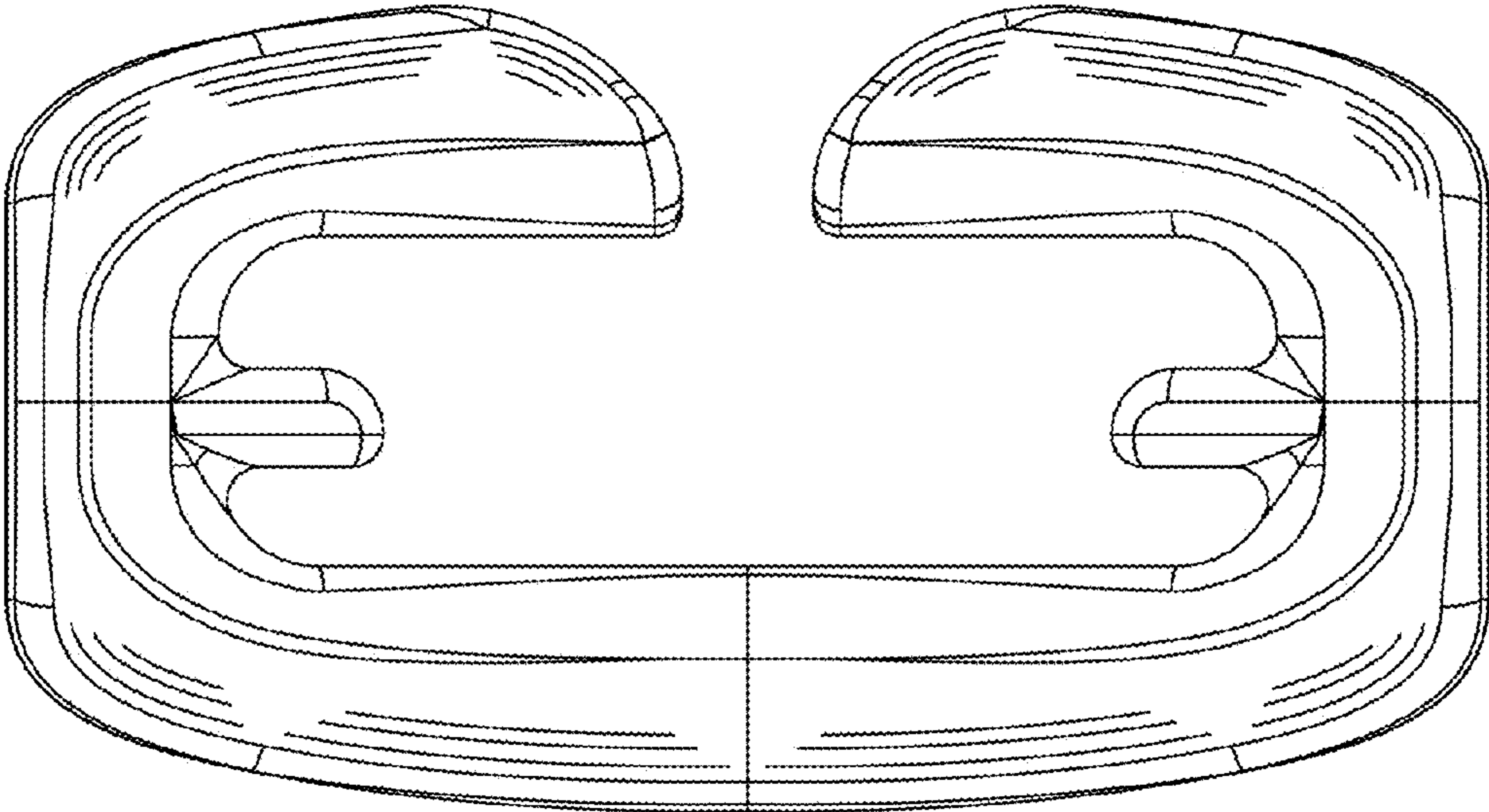


Fig.1

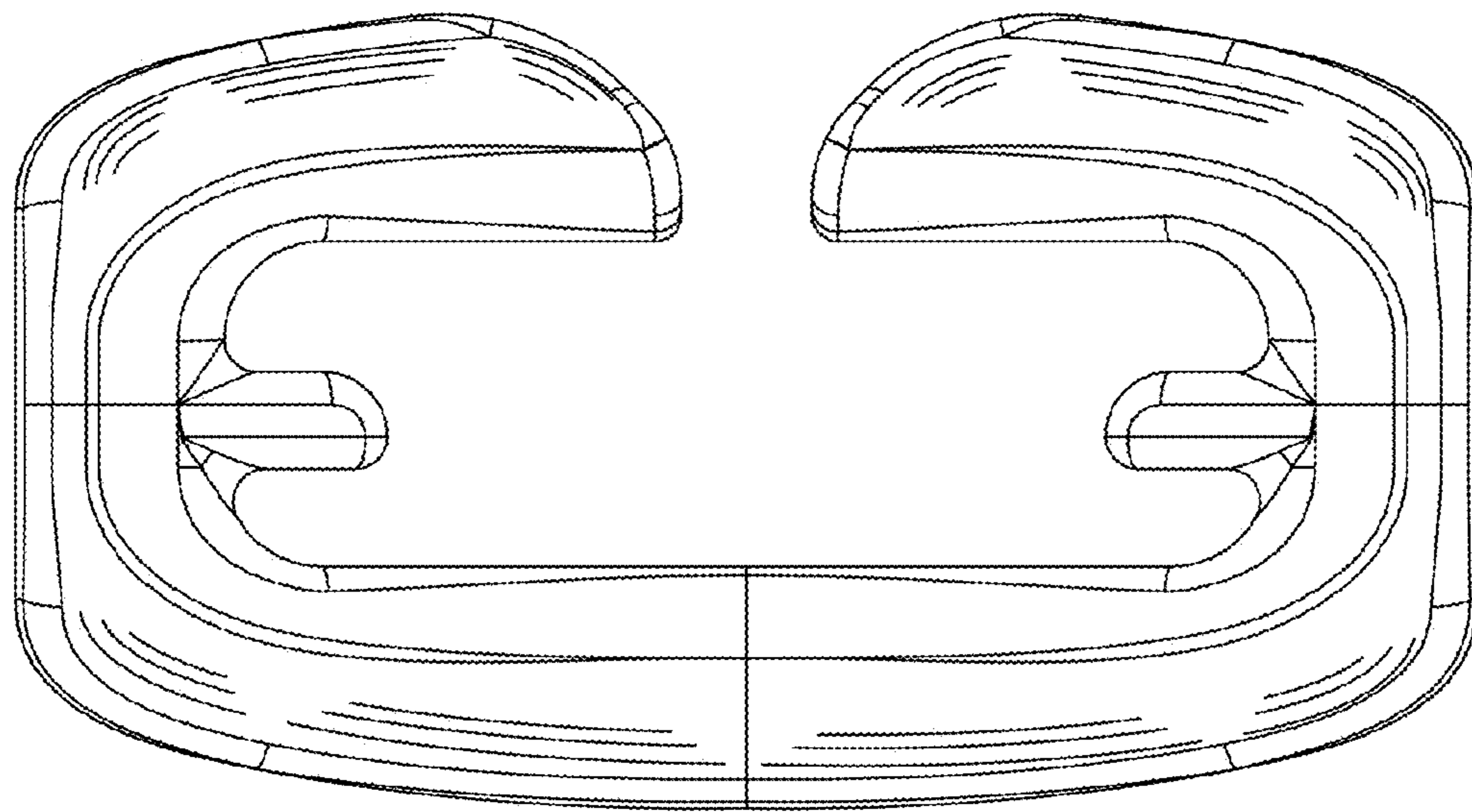


Fig.2

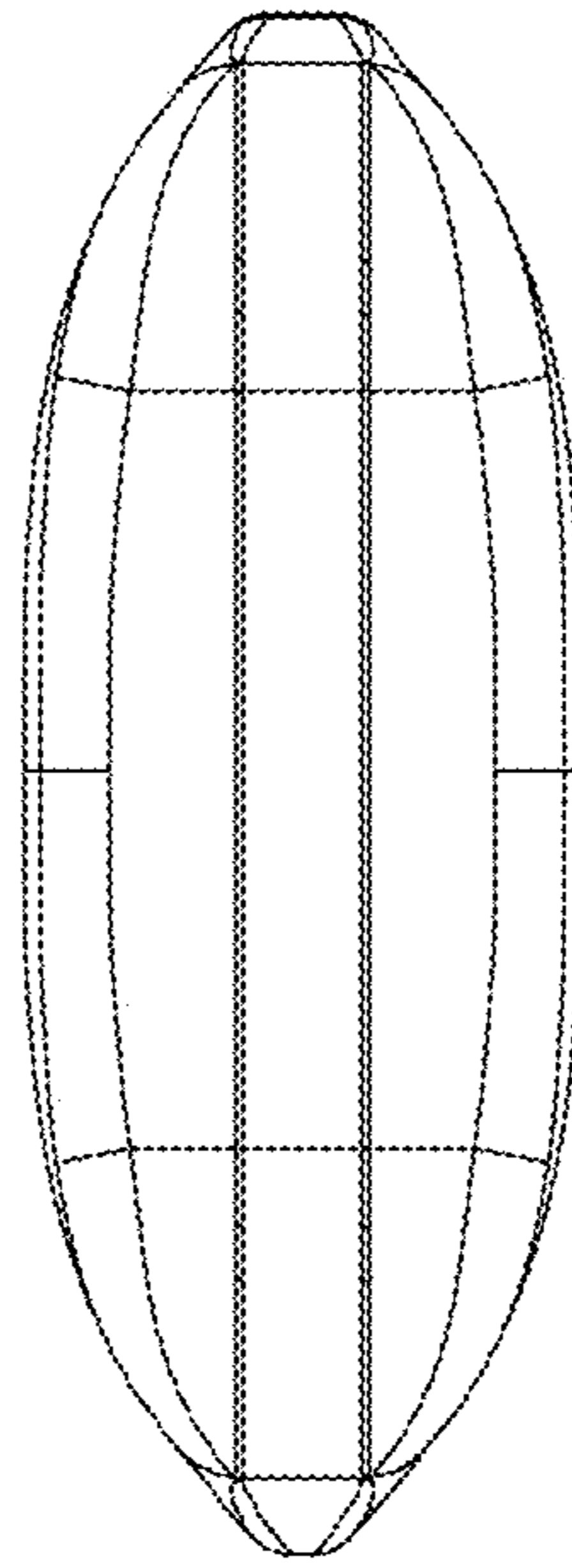


Fig.3

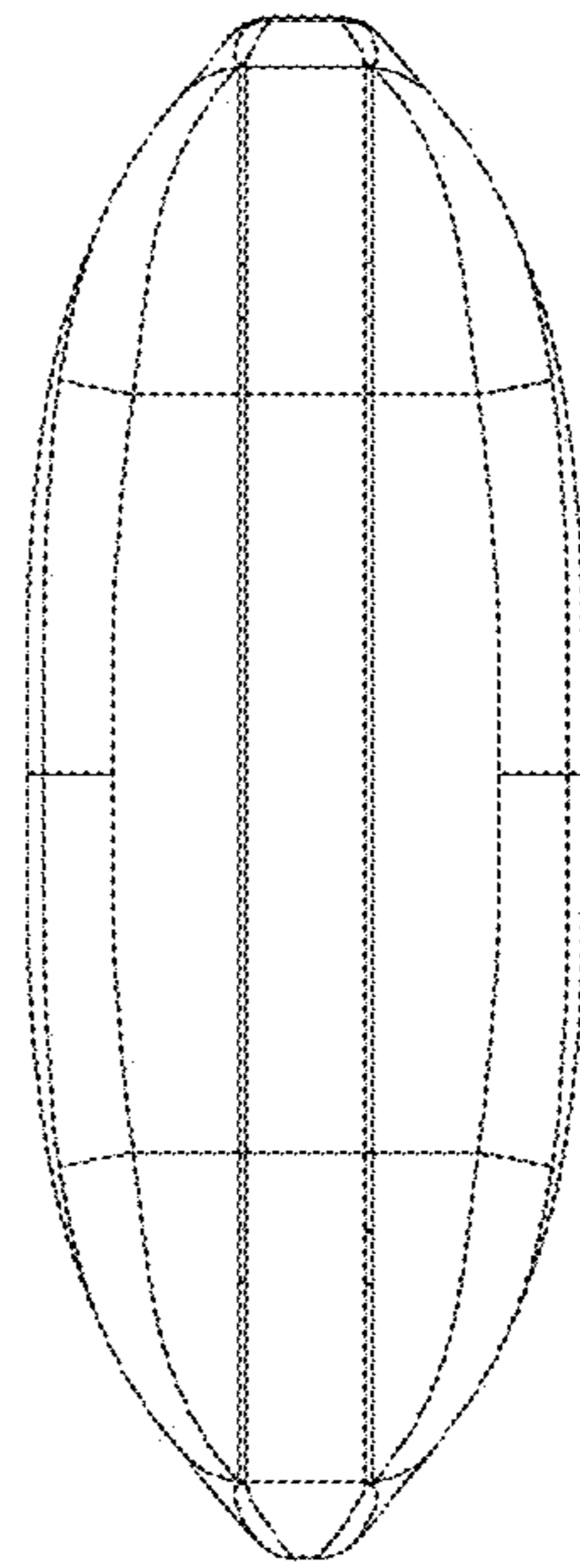


Fig.4

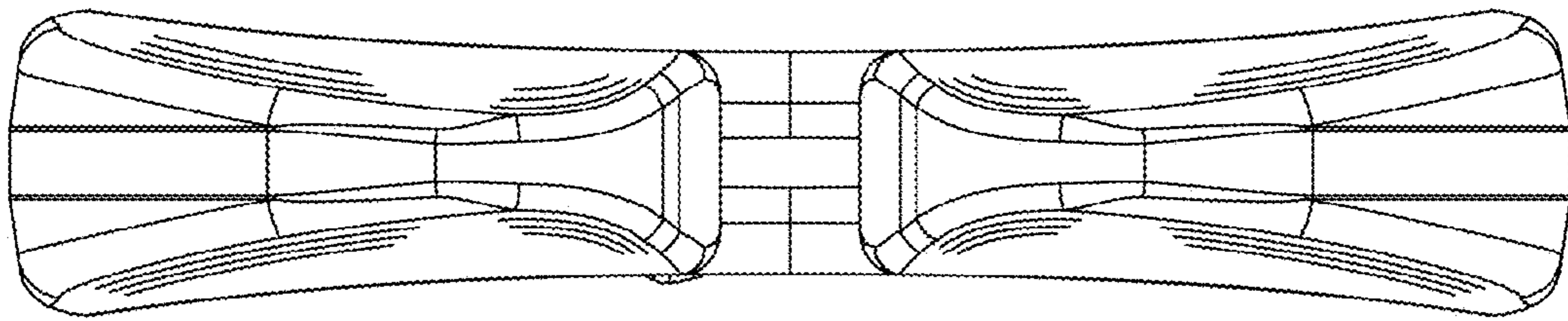


Fig.5

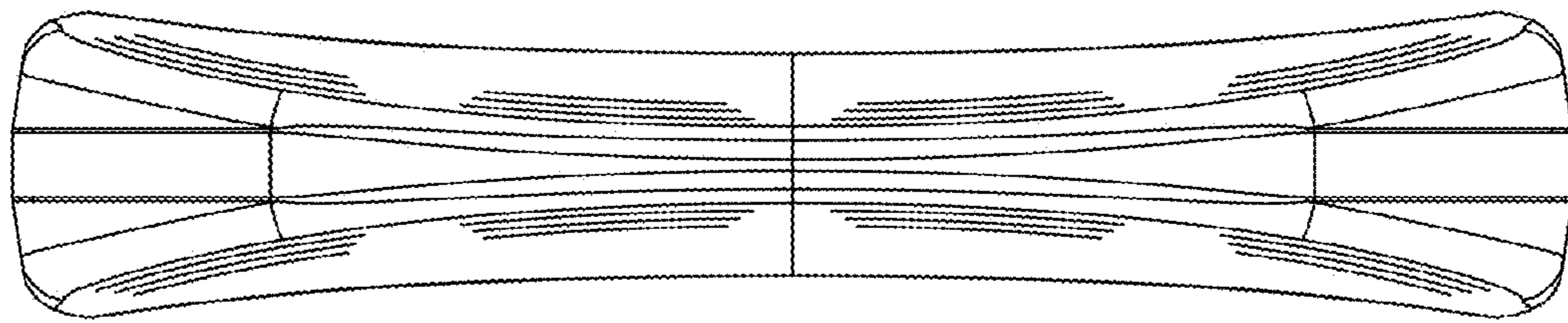


Fig.6

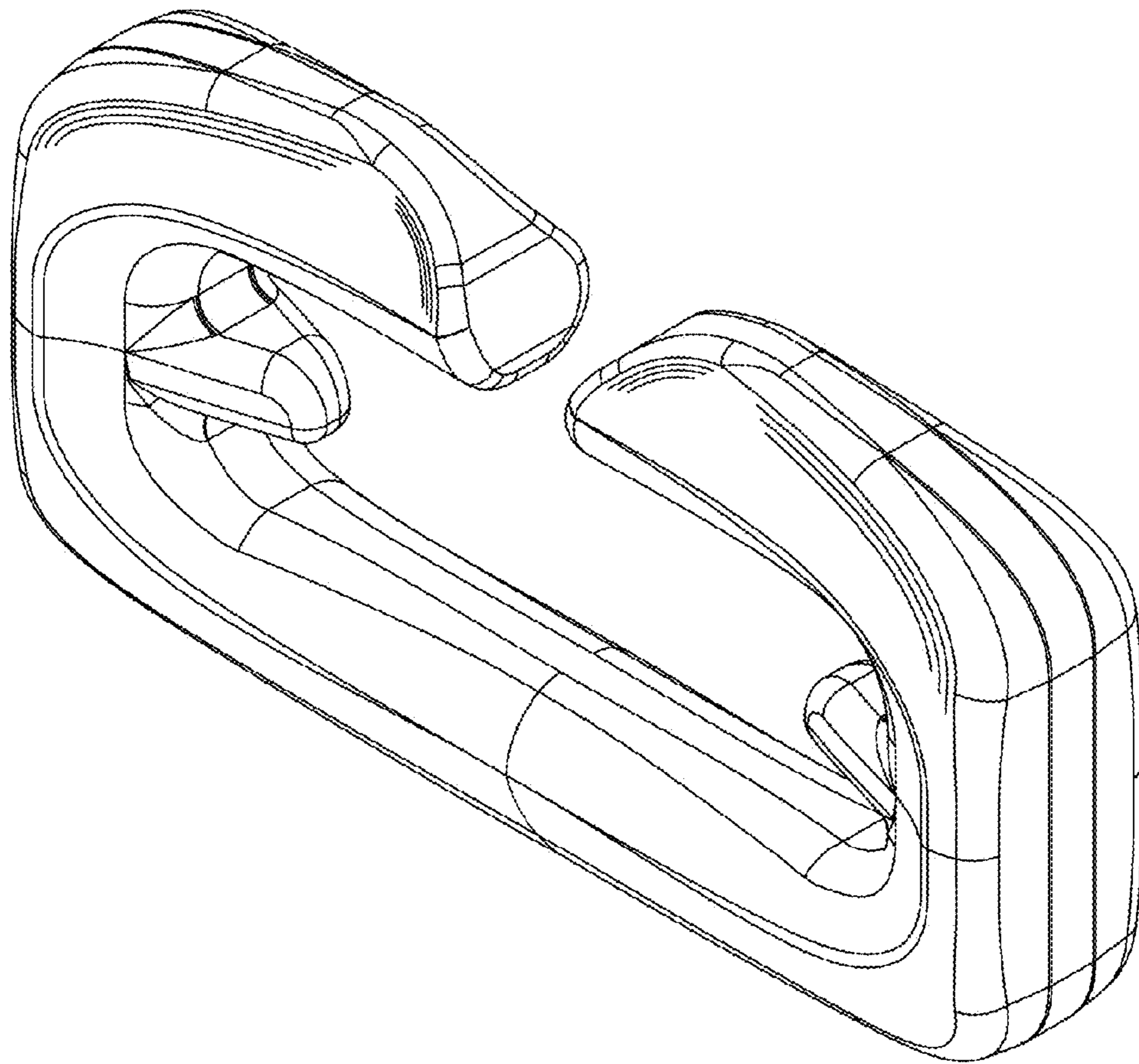


Fig.7

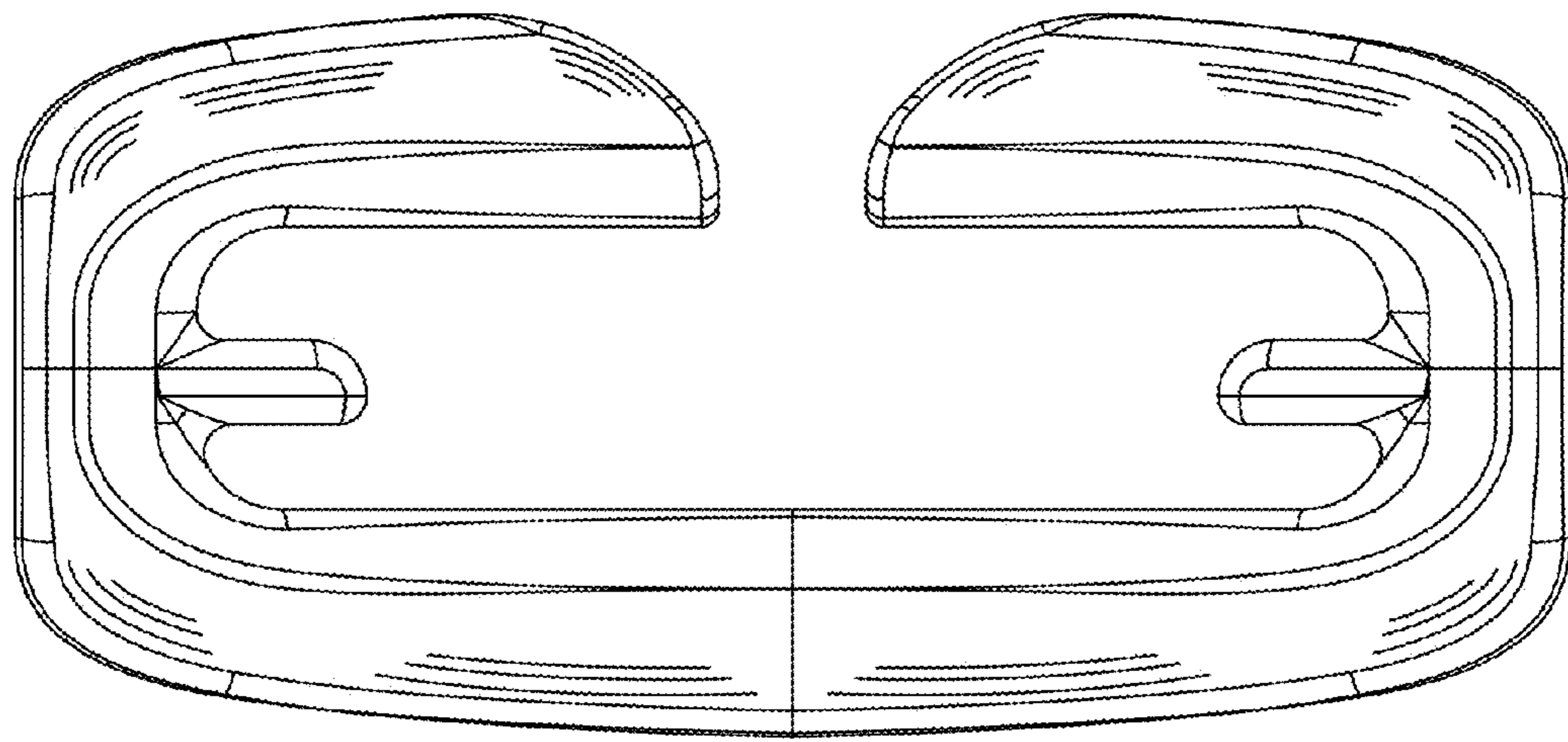


Fig.8

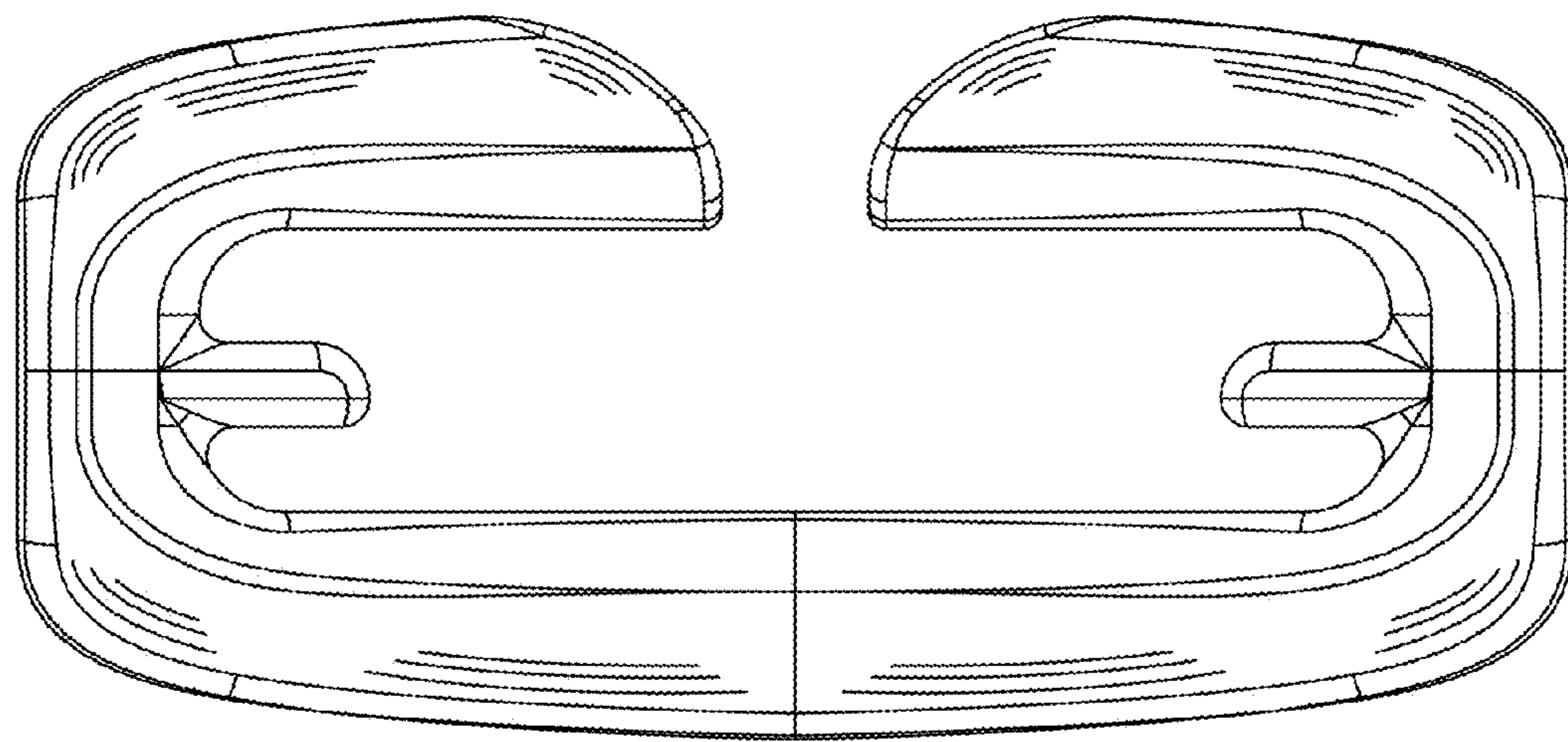


Fig.9

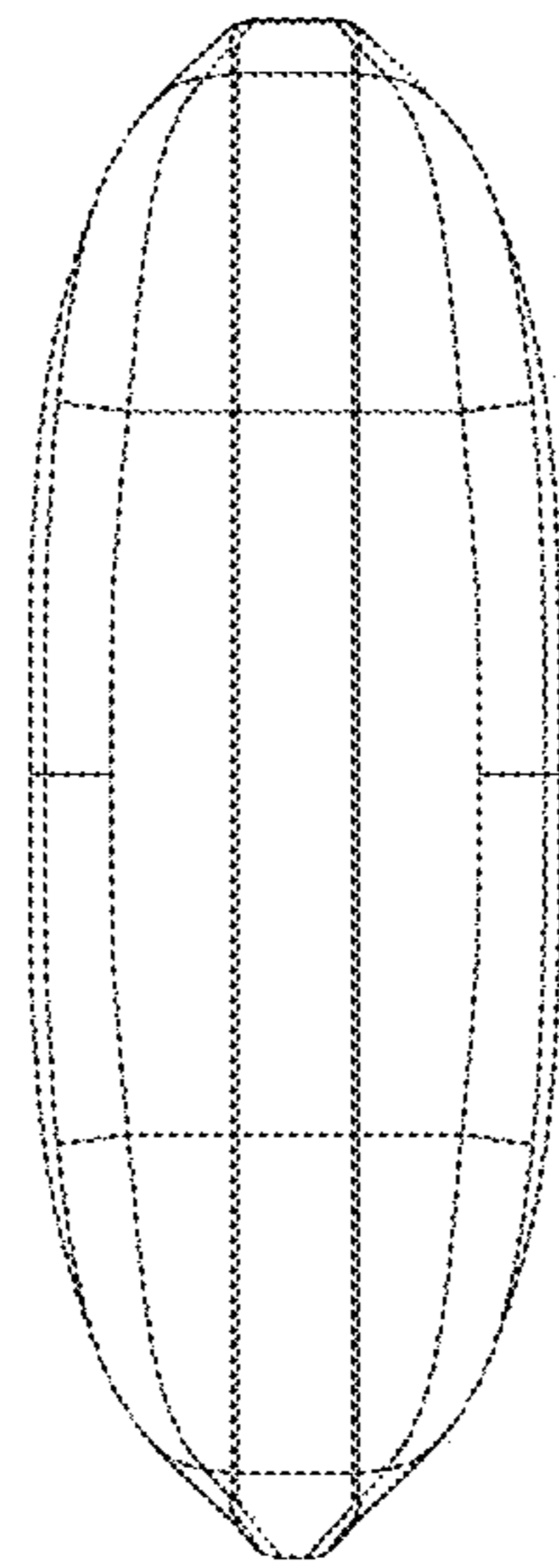


Fig.10

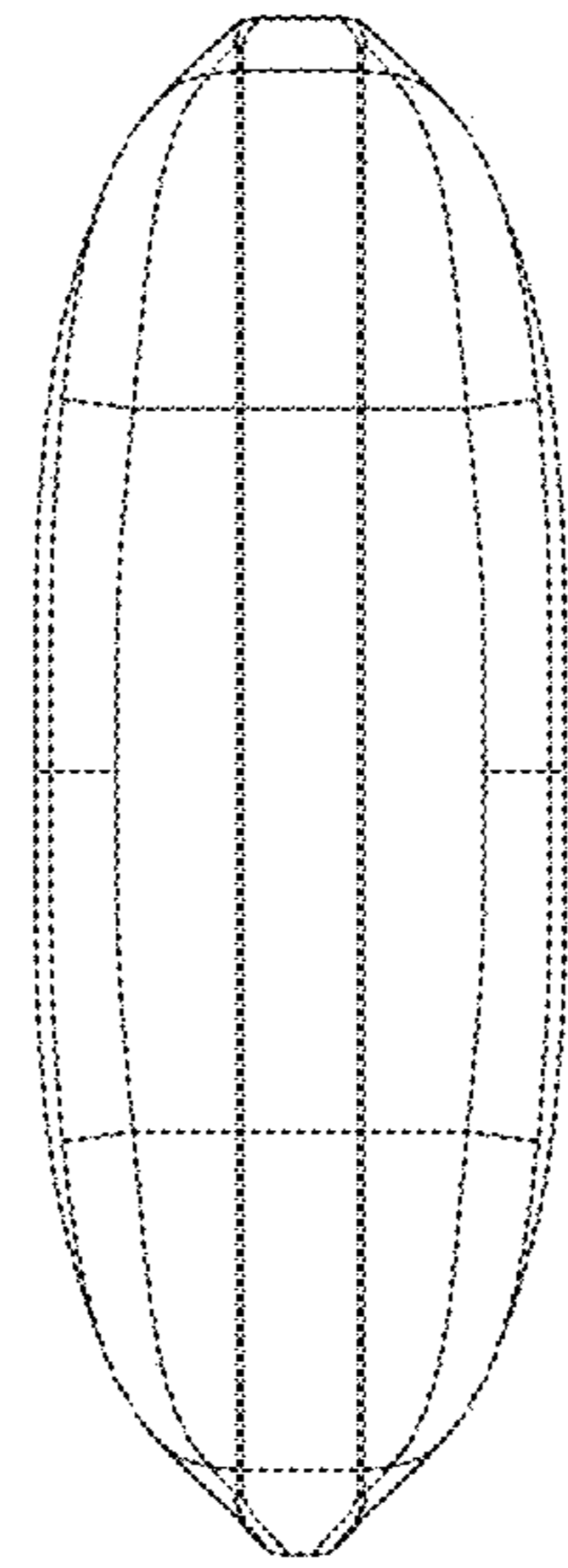


Fig.11

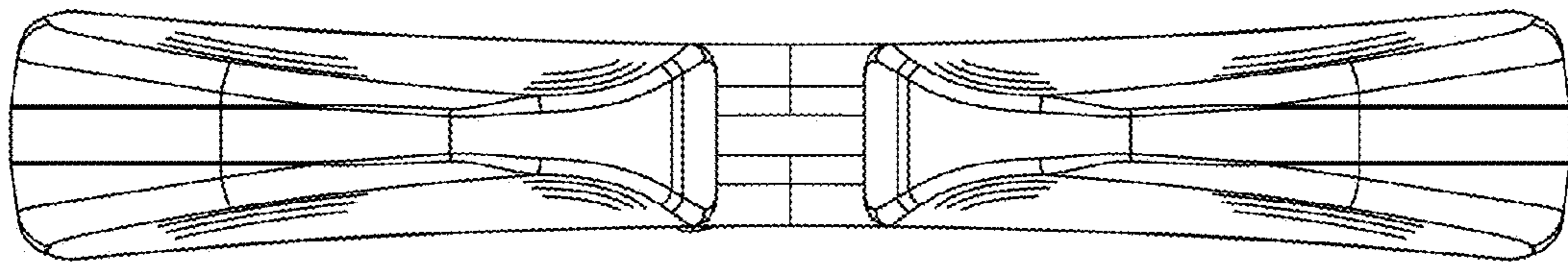


Fig.12

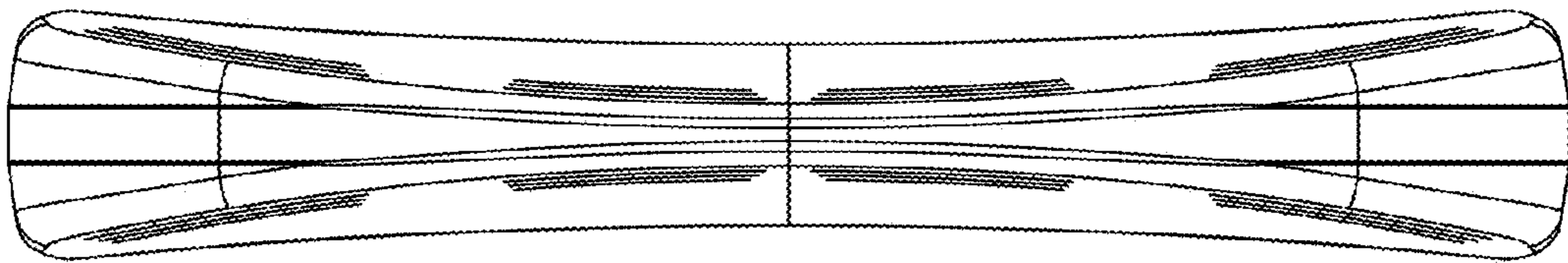


Fig. 13

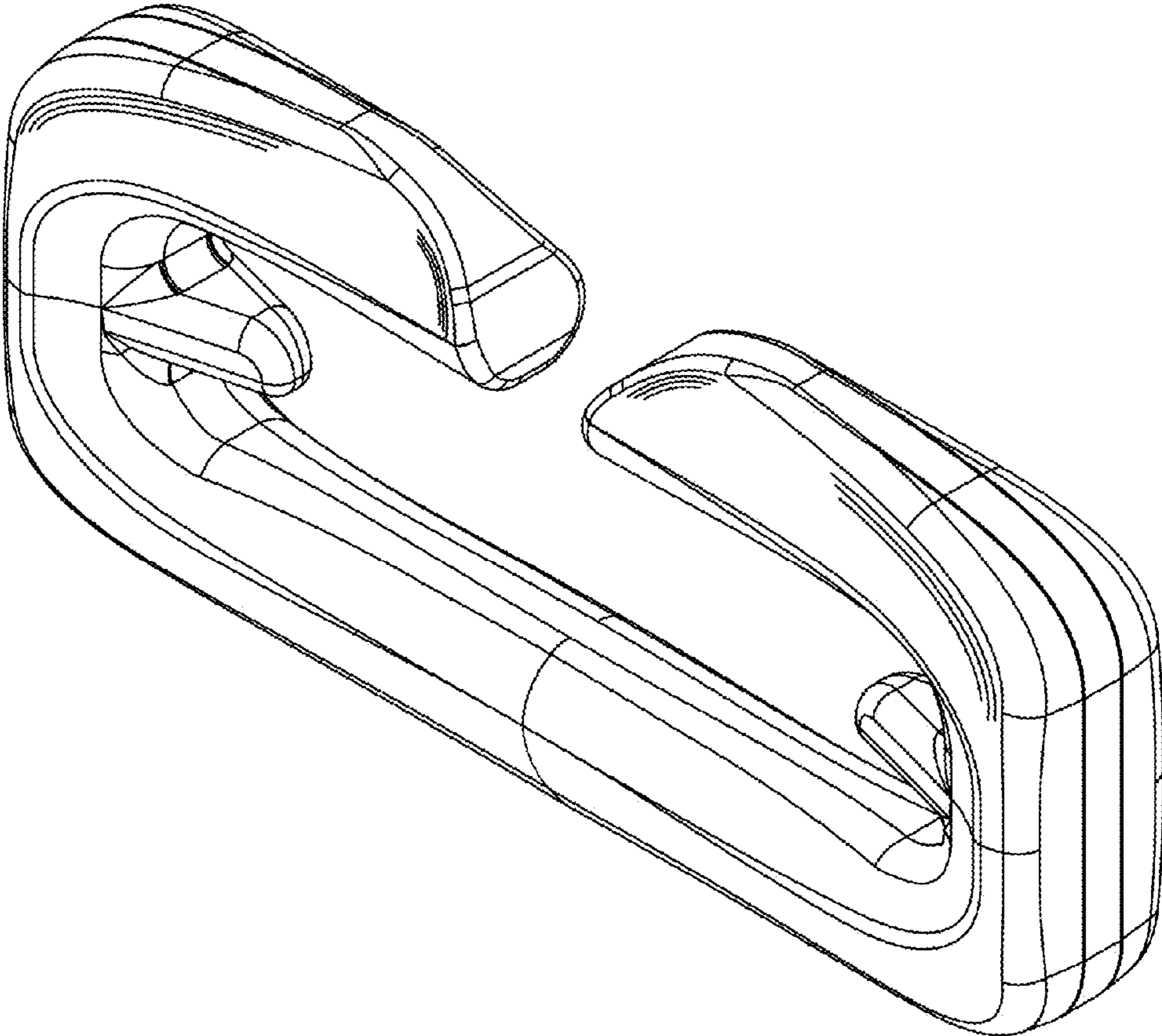


Fig.14

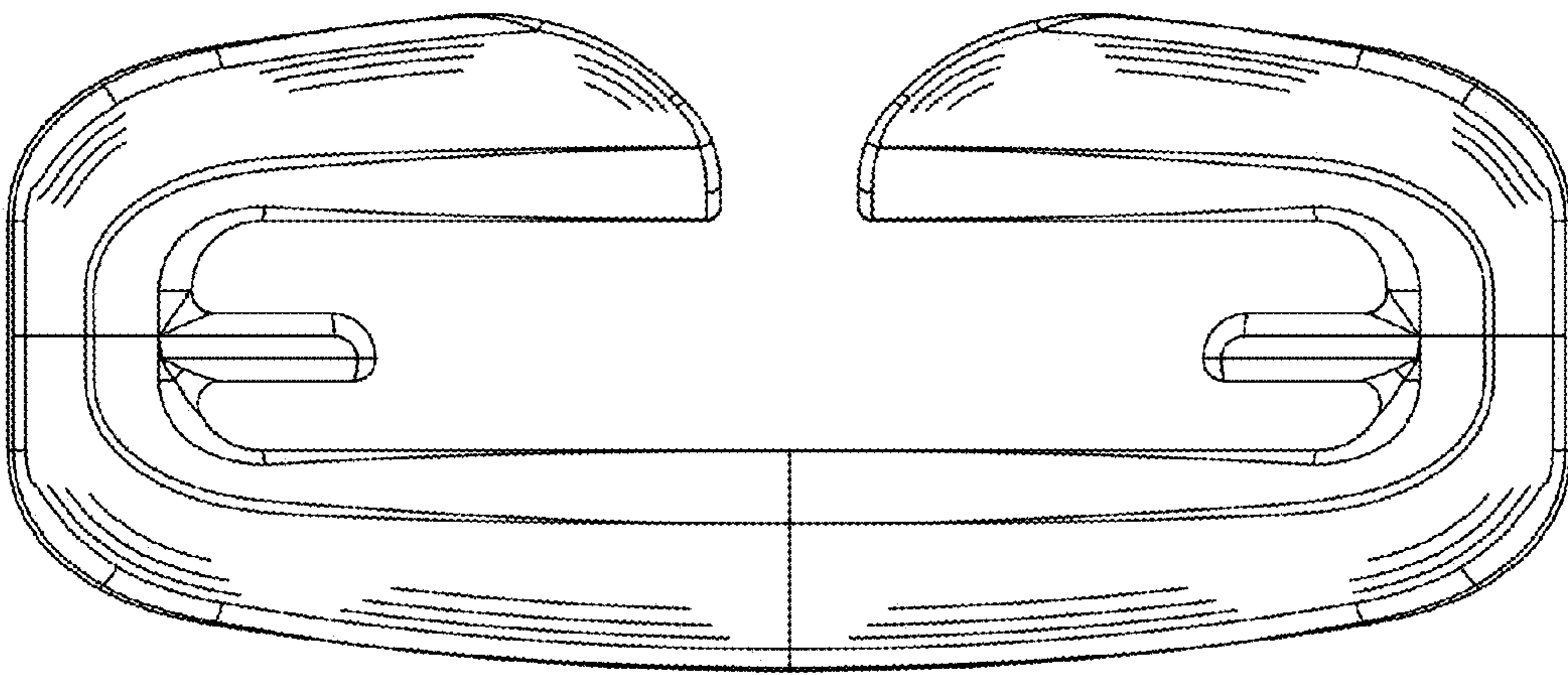


Fig.15

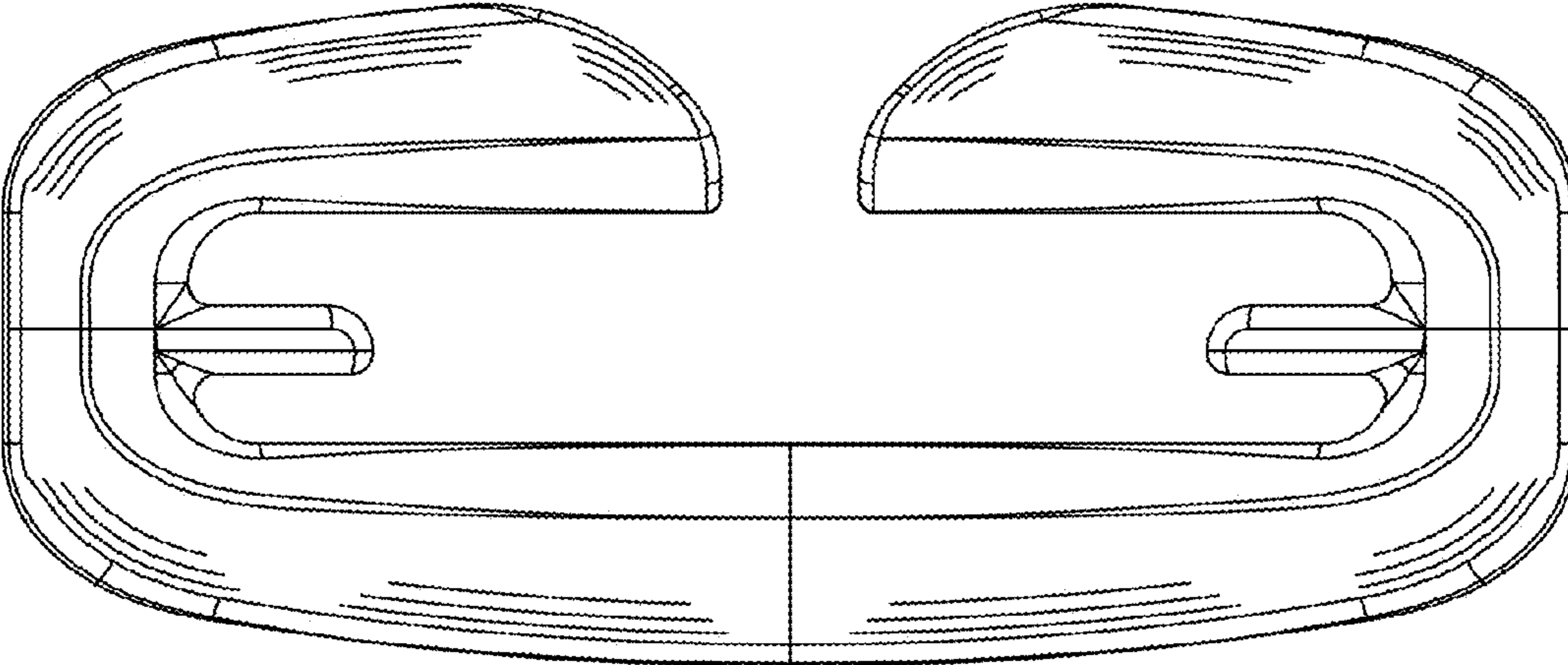


Fig.16

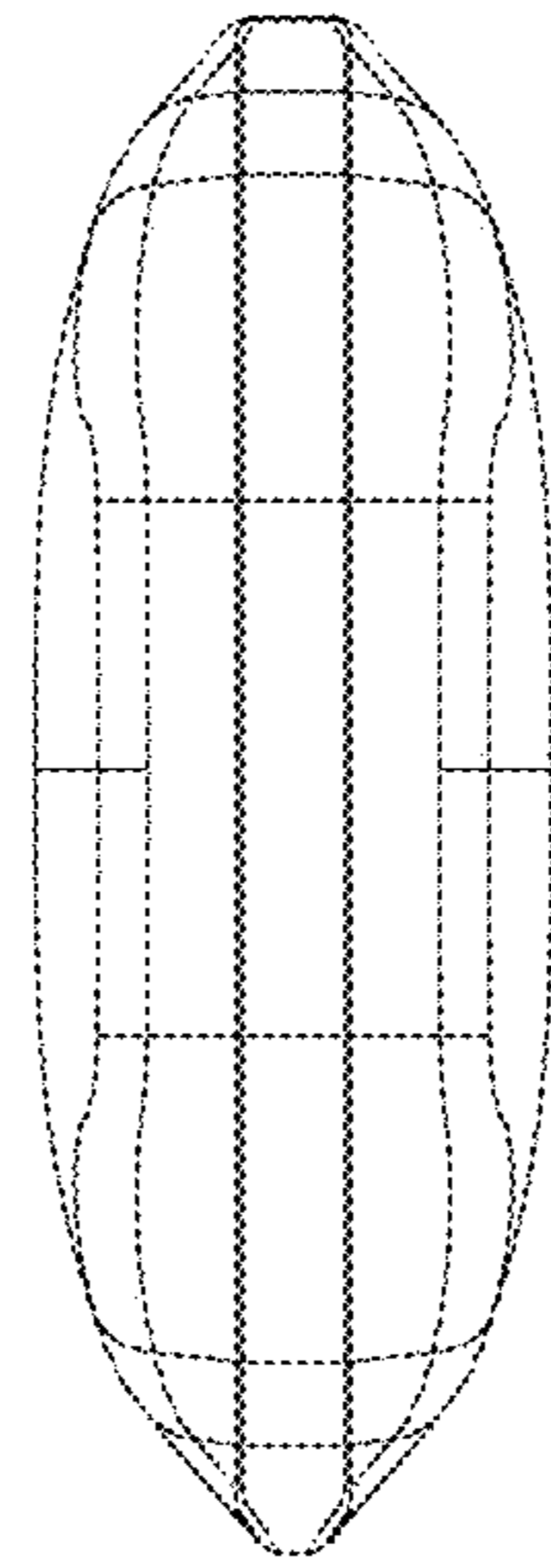


Fig.17

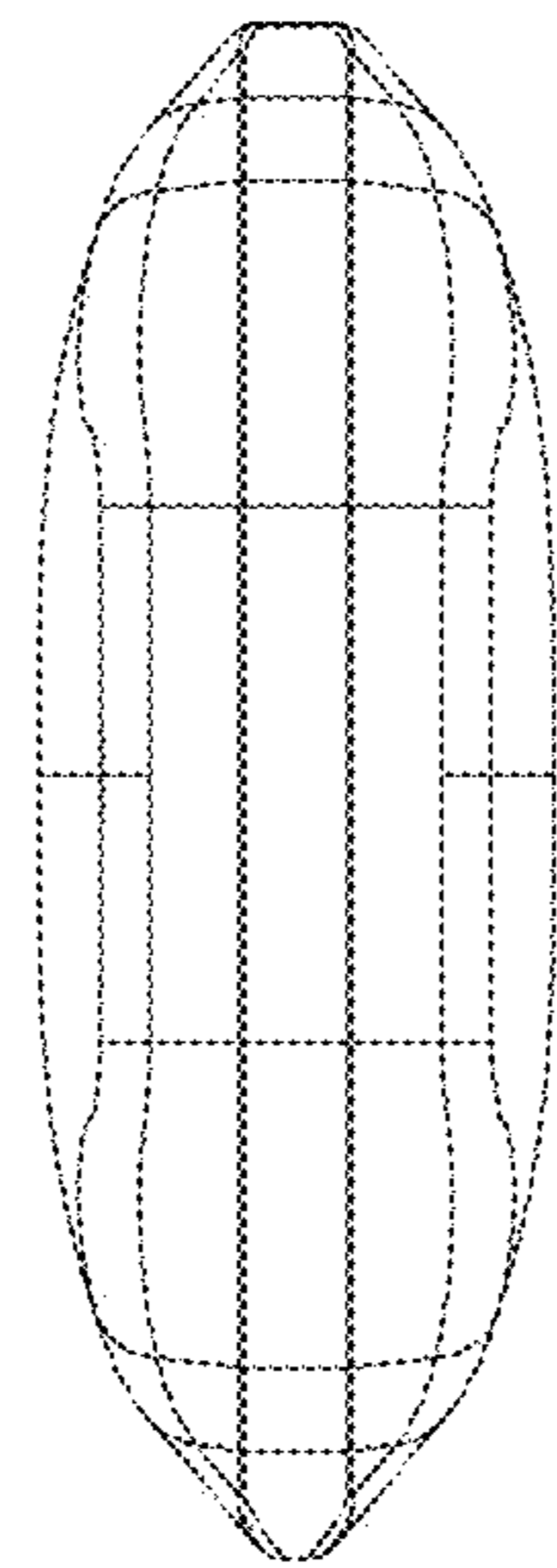


Fig.18

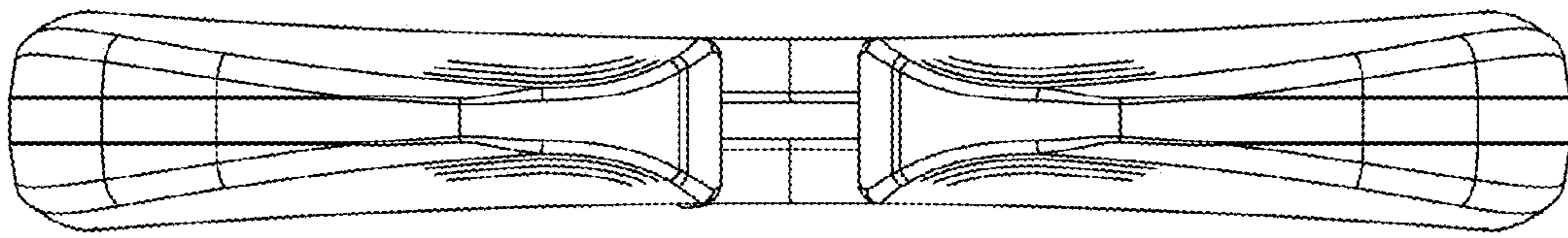


Fig.19

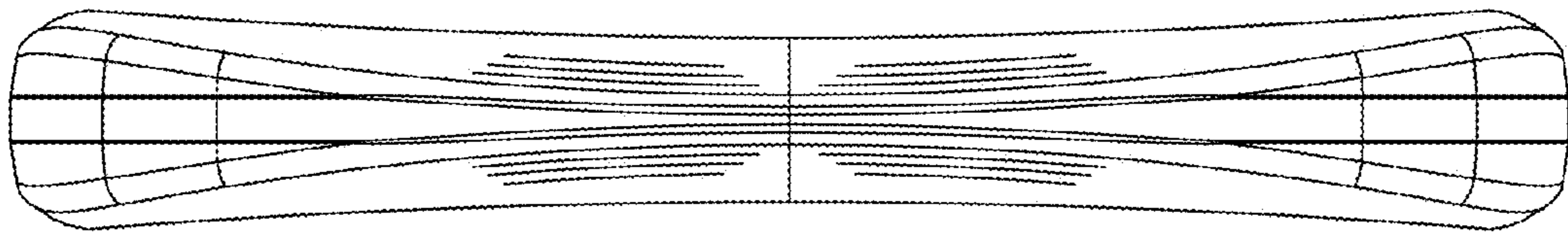


Fig.20

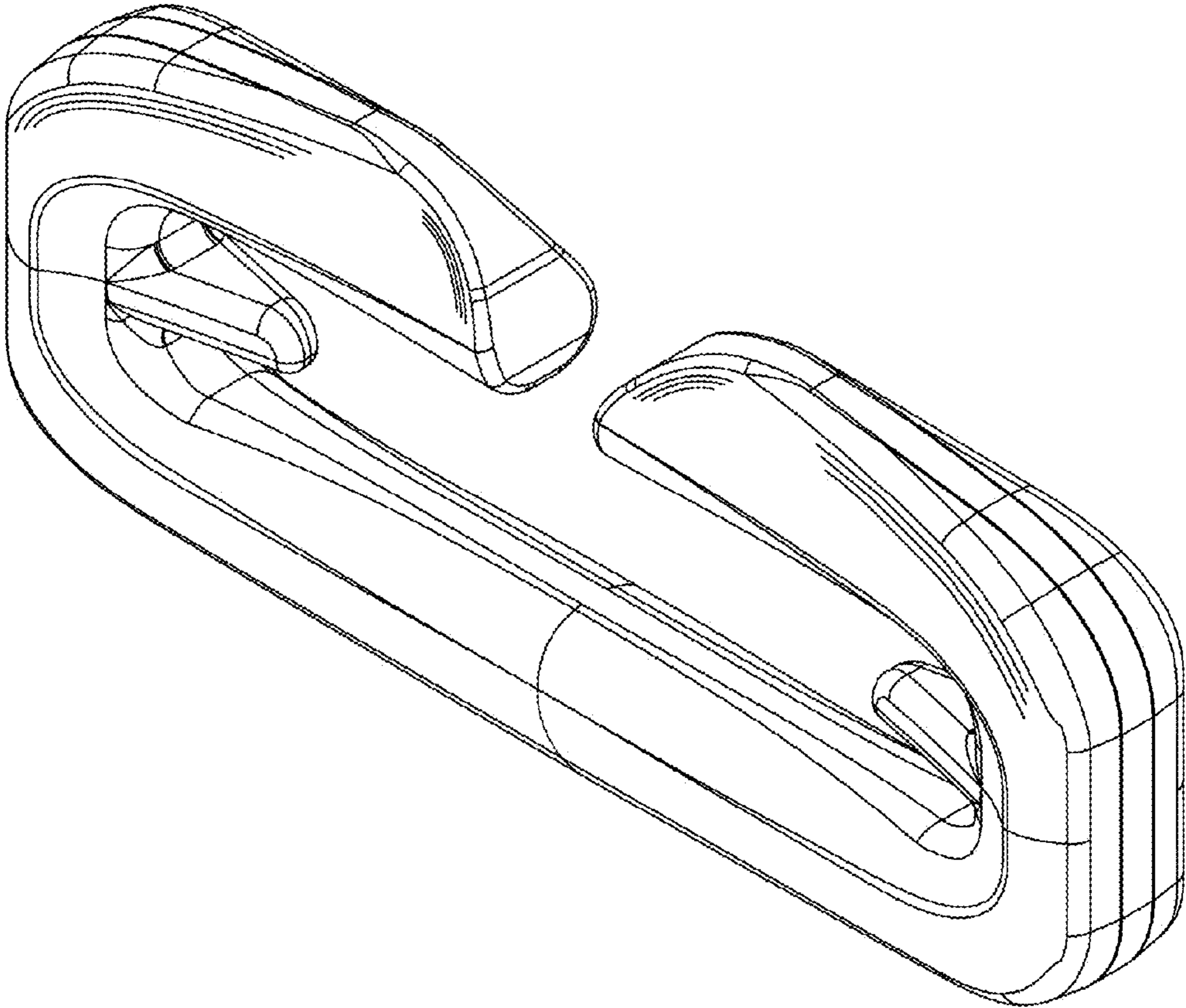


Fig.21