



US00D753018S

(12) **United States Design Patent**  
**Hawkins**

(10) **Patent No.:** **US D753,018 S**  
(45) **Date of Patent:** **\*\* Apr. 5, 2016**

- (54) **OVERHEAD DISPLAY HANGER**
- (71) Applicant: **Target Brands, Inc.**, Minneapolis, MN (US)
- (72) Inventor: **Laura L. Hawkins**, Minneapolis, MN (US)
- (73) Assignee: **Target Brands, Inc.**, Minneapolis, MN (US)
- (\*\*) Term: **14 Years**

D379,037	S	*	5/1997	Moran, III	.....	D6/405
D444,633	S	*	7/2001	Henick	.....	D6/301
D460,273	S	*	7/2002	Henick	.....	D6/302
D474,899	S	*	5/2003	Henick	.....	D6/301
D479,654	S	*	9/2003	Henick	.....	D6/301
D479,772	S	*	9/2003	Henick	.....	D6/301
D528,169	S	*	9/2006	Hayes	.....	D21/467
D530,102	S	*	10/2006	Vincent	.....	D6/301
D565,455	S	*	4/2008	Chan	.....	D11/141
D566,000	S	*	4/2008	Chan	.....	D11/141
D567,884	S	*	4/2008	Walker et al.	.....	D21/467
D586,129	S	*	2/2009	van der Lande	.....	D6/301
7,523,574	B2	*	4/2009	Henick et al.	.....	40/617
D644,031	S	*	8/2011	Vincent	.....	D6/306

(Continued)

- (21) Appl. No.: **29/499,529**
- (22) Filed: **Aug. 15, 2014**
- (51) **LOC (10) Cl.** ..... **11-02**
- (52) **U.S. Cl.**  
USPC ..... **D11/141**
- (58) **Field of Classification Search**  
USPC ..... D11/141, 131, 143, 146, 147, 151, 164, 111/184; D6/301, 302, 513, 681.1, 403; D21/467; D26/25  
CPC ..... A47C 3/26; A01G 5/04; B05B 15/063; A47F 5/01; B44C 5/00; B44C 5/02; F16B 45/00; A47G 33/06; E01C 13/08  
See application file for complete search history.

**OTHER PUBLICATIONS**

Office Action from Canadian Patent Application No. 159,801, mailed May 8, 2015 (2 pages).

*Primary Examiner* — John Windmuller

*Assistant Examiner* — Steven Czyz

(74) *Attorney, Agent, or Firm* — Leanne Taveggia Farrell; Westman, Champlin & Koehler, P.A.

(57) **CLAIM**

The ornamental design for an overhead display hanger, as shown and described.

**DESCRIPTION**

FIG. 1 is a perspective view of an overhead display hanger with environment showing my new design;

FIG. 2 is a perspective view thereof;

FIG. 3 is a right side view thereof, the left side view being identical;

FIG. 4 is a front view thereof, the rear view being identical; and,

FIG. 5 is a top view thereof.

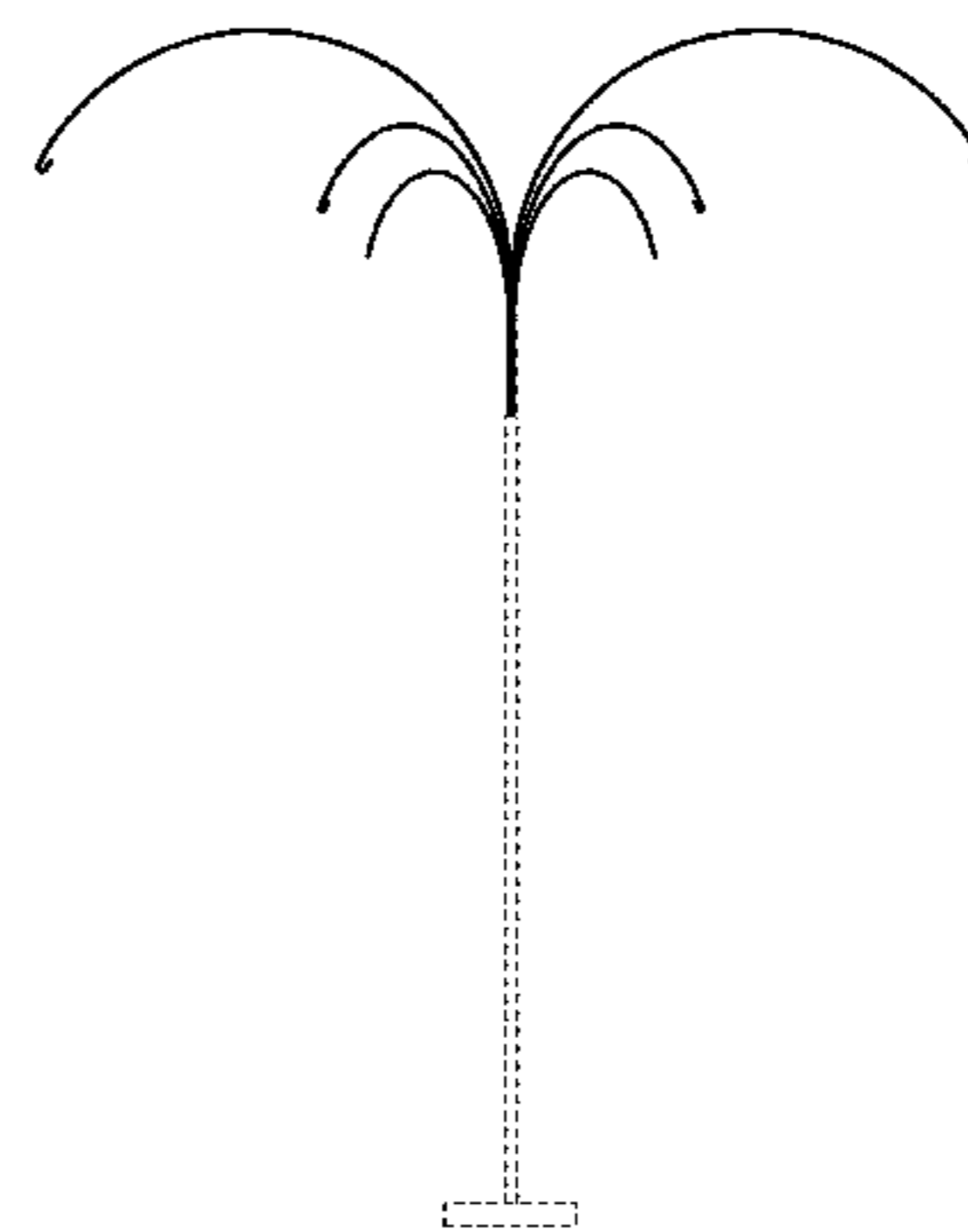
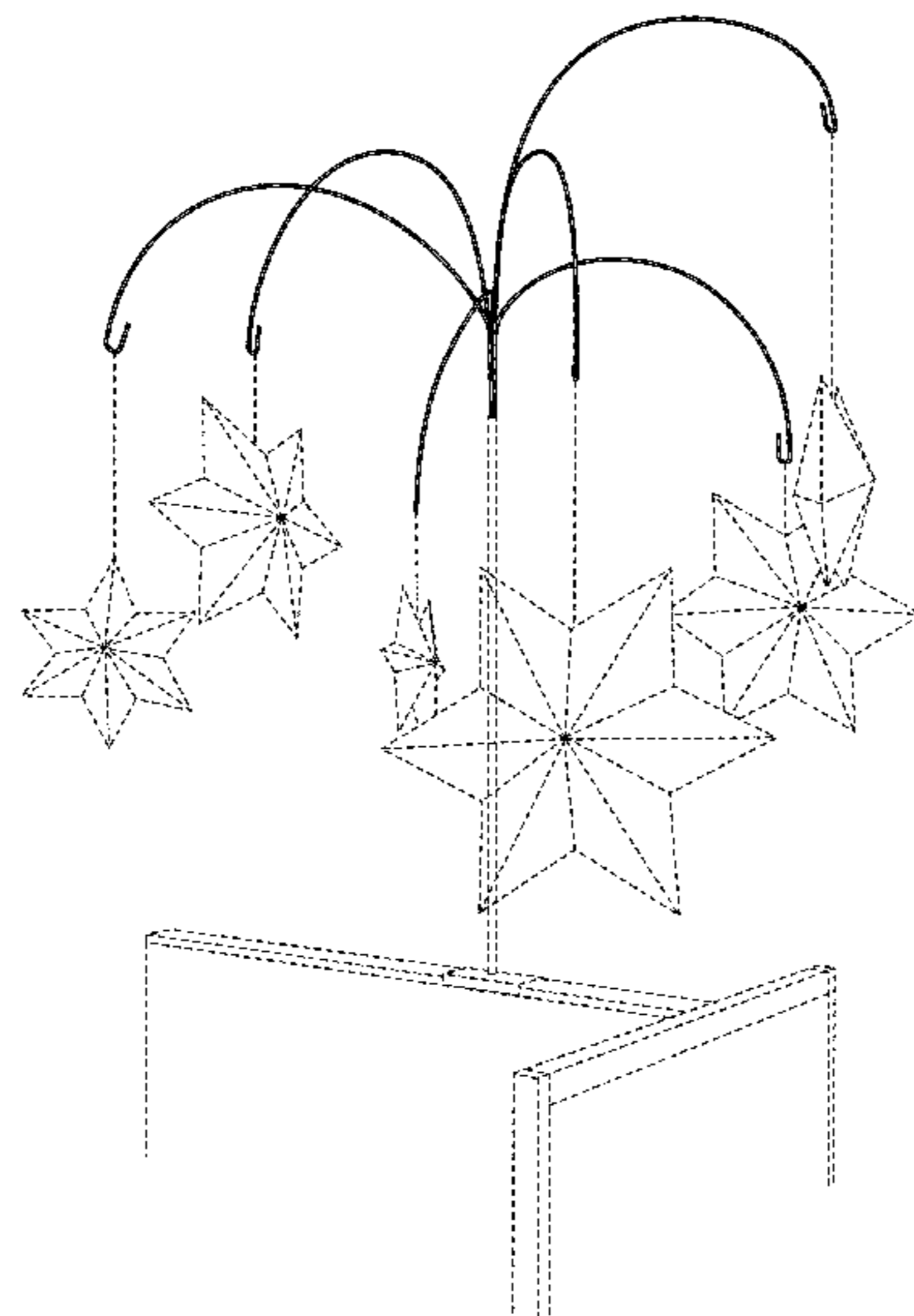
The broken lines depict portions of the article and environment that form no part of the claimed design.

**1 Claim, 4 Drawing Sheets**

(56) **References Cited**

**U.S. PATENT DOCUMENTS**

D175,597	S	*	9/1955	Hauser et al.	.....	D25/100
D215,478	S	*	10/1969	Myers et al.	.....	D26/27
D227,848	S	*	7/1973	Schneider et al.	.....	D6/301
3,762,084	A	*	10/1973	Jones	.....	40/613
3,906,215	A	*	9/1975	Dinicola	.....	362/122
D240,262	S	*	6/1976	Dalgaard-Hansen	.....	D11/144
D267,445	S	*	1/1983	Watson	.....	D6/681.1
D297,624	S	*	9/1988	Chan	.....	D11/141
D318,442	S	*	7/1991	Cheek	.....	D11/164
D364,652	S	*	11/1995	Santana	.....	D21/467
D371,170	S	*	6/1996	Melandow	.....	D21/467



**US D753,018 S**

Page 2

---

(56)

**References Cited**

U.S. PATENT DOCUMENTS

D654,828 S \* 2/2012 Piric ..... D11/157  
D679,920 S \* 4/2013 Terol ..... D6/405  
D728,961 S \* 5/2015 Marois ..... D6/513

D650,591 S \* 12/2011 Vincent ..... D6/306 \* cited by examiner

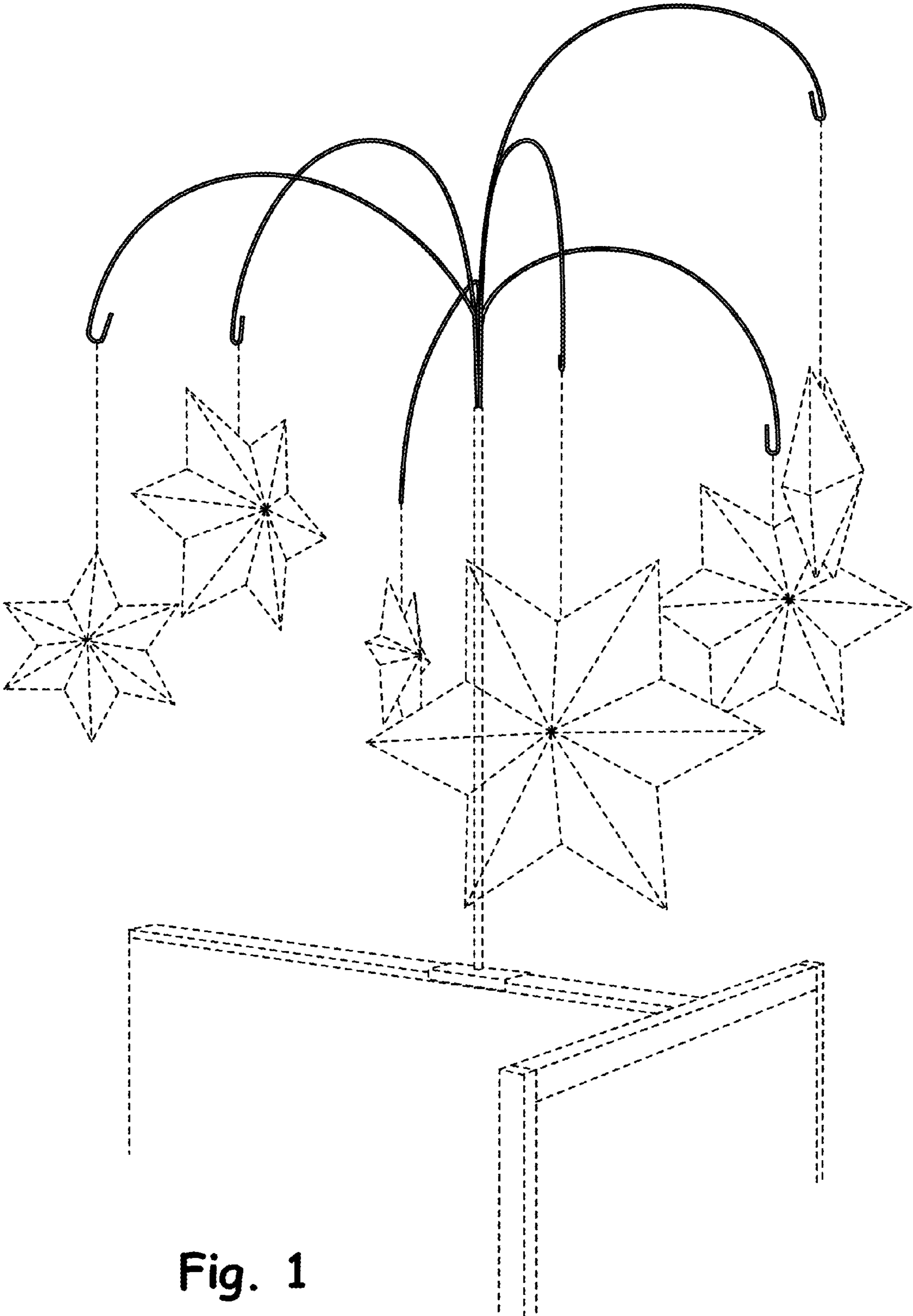


Fig. 1

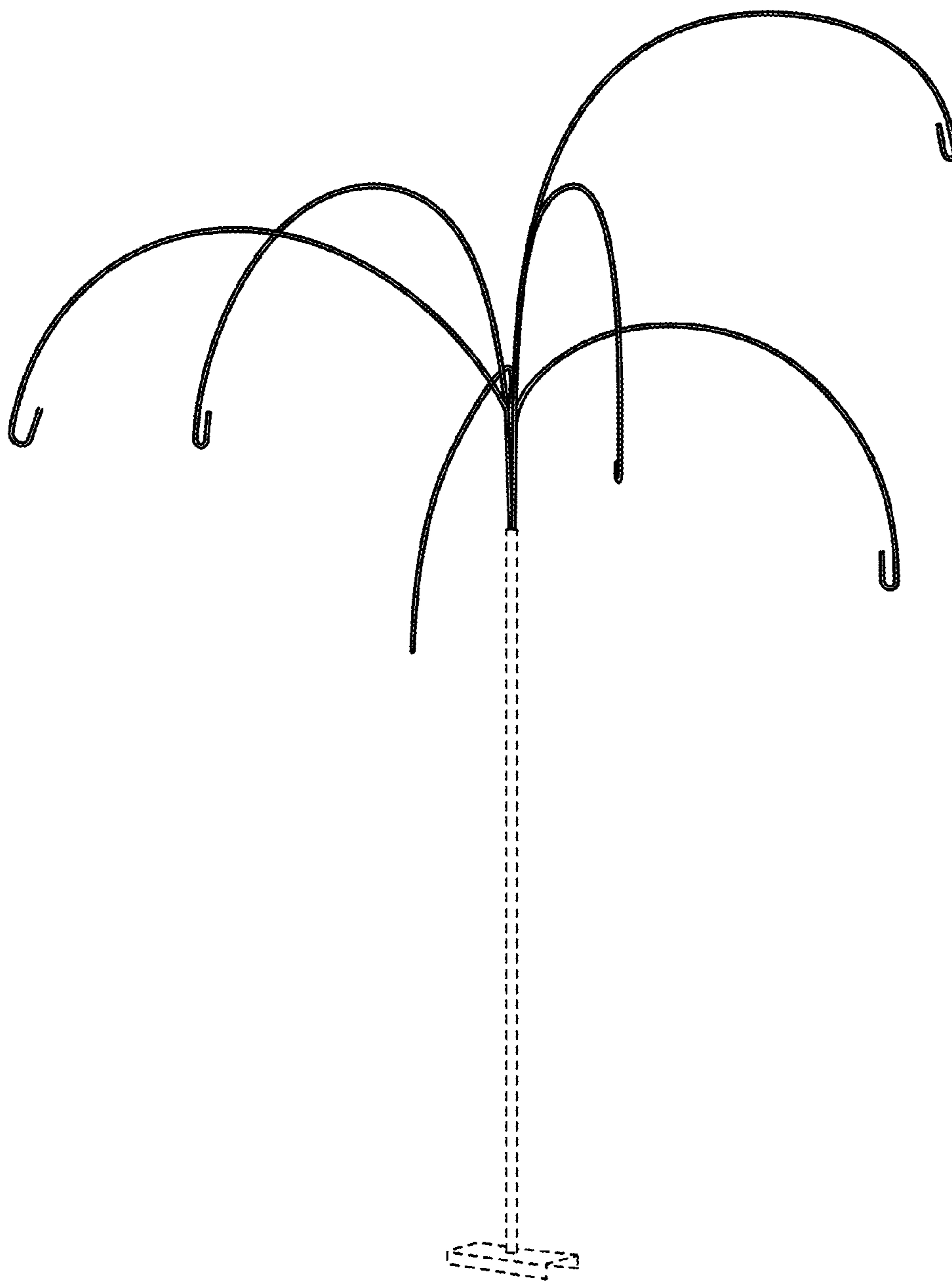


Fig. 2

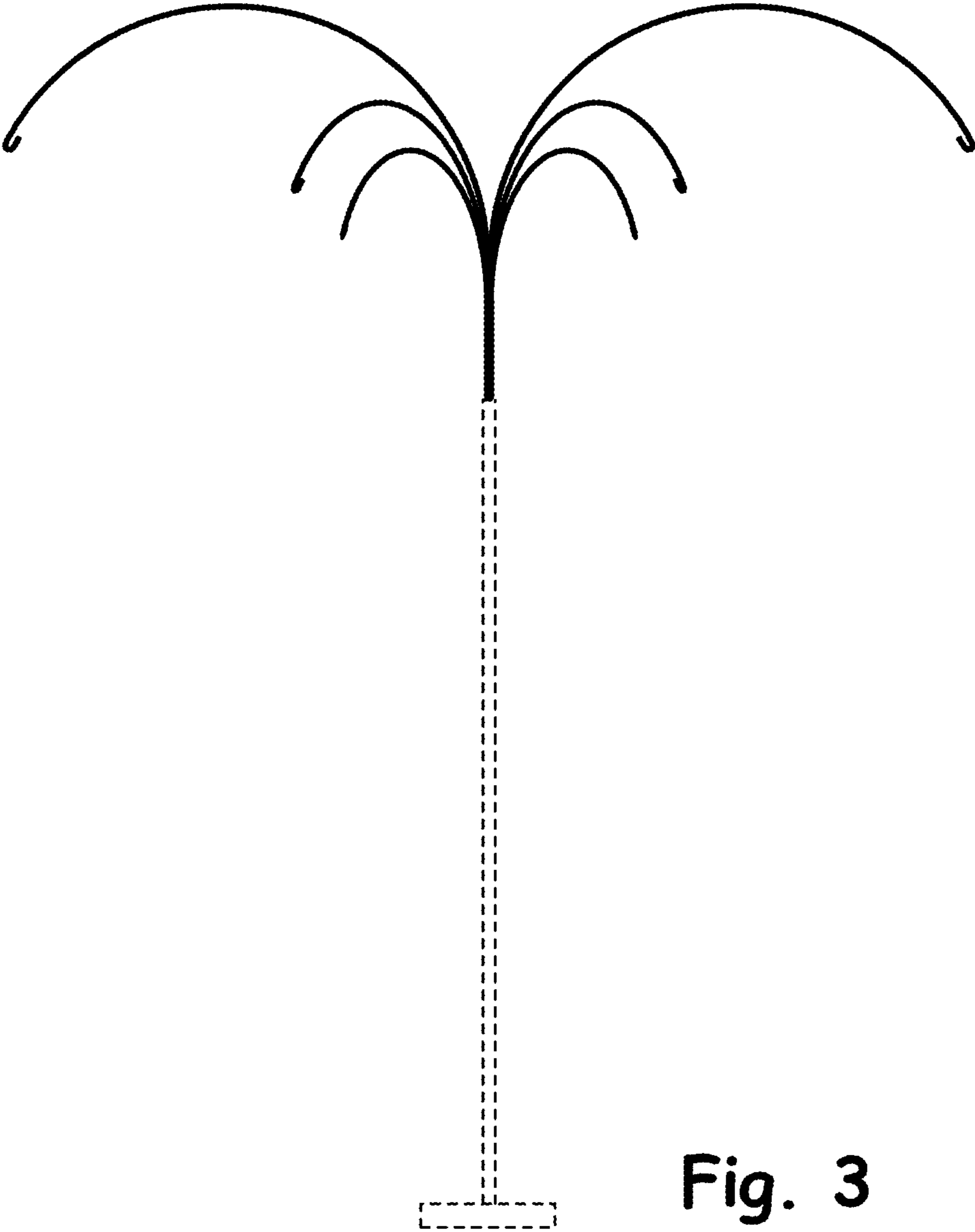


Fig. 3

